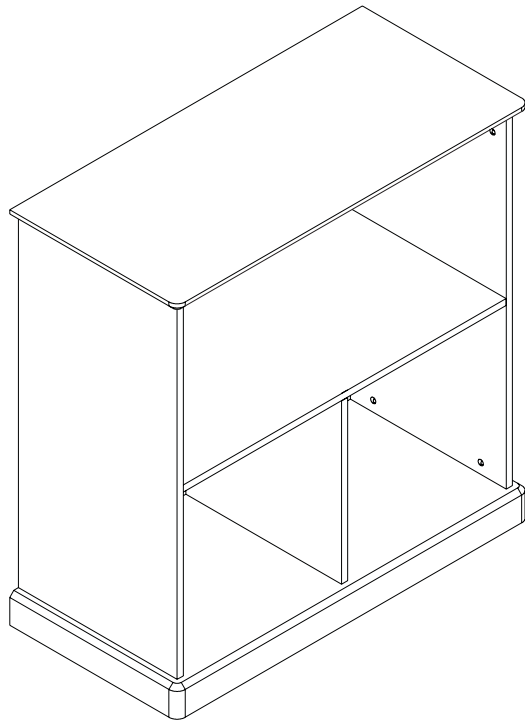




gltc.co.uk

## Abbeville Storage - Small Shelf Unit



Assembly Difficulty



easy - medium - hard



one-person job



02/11/2018

**Thank you for shopping with GLTC, we hope you enjoy having this product in your home.**

We know assembling furniture, toys or accessories is not everyone's favourite way to spend their time, so we've tried to make assembling this item as quick and painless as possible.

Hopefully our efforts will have been worthwhile and you'll sail through the whole process. But if it all feels a bit too much like hard work, then we do have an assembly company we can recommend: the Flatpack Construction Company offers a nationwide service and can be contacted on **0843 289 4951** or **www.flatpackconstruction.co.uk**.

Good luck!

### **A few important pointers before you start:**

- It might be worth checking on our website that there are no updates or revisions to these instructions (if we have had helpful feedback from other customers we pass it on via the product web page). Simply check the date and version number on the front of this leaflet against that of any site updates.
- Please read the instructions right through before you start, and check that all the components have been included in the pack; we find separating all the hardware into piles makes it easier to be sure that everything is present and correct.
- Make sure you have the right tools. Allen keys are provided if required, but screw drivers and other tools are not. You'll find details of the tools you need at the beginning of the instructions.
- It's a good idea to build the unit in the room where you are going to be using it, to avoid the need to move it after it's been assembled.
- Do not throw away any packing materials until assembly is complete, just in case you accidentally discard smaller parts or hardware.

### **Safety Warnings:**

- Adult assembly required, assemble and use on a flat surface.
- **CHOKING HAZARD** - This product contains small parts and must be assembled by an adult. special care must be taken in the unpacking and assembly of this item as unassembled parts may be a choking hazard to children under 3 years old.
- During assembly, children should be kept away from the product due to possible risk of injury.
- Do not use power tools in the construction of this product.
- This product is heavy, so we recommend you build it where you are planning to use it.
- All assembly fastenings should be tightened properly and periodically checked; care should be taken that no fittings are loose.
- Serious or fatal crushing injuries can occur from furniture tipping over. Ensure you secure this furniture product to the wall before you use it using the kit provided. If you have not received an anti tip kit with your product please contact Customer Services.
- Keep all relevant information for future reference.

### **Customer Service:**

- If you find that any components are missing or damaged, please do not begin assembly and do not use the item. Please contact GLTC Customer Services on **0344 848 6000** immediately.
- We do stock spare hardware packs at our warehouse, so we should be able to send you a replacement pack immediately if required.

### **Product Care:**

- Wipe clean only.
- Do NOT use cleaning products which contain ammonia, solvents or abrasive material.
- Do NOT expose the item to extremes of heat and humidity.

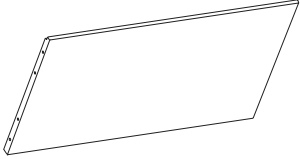
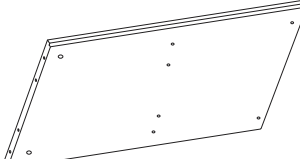
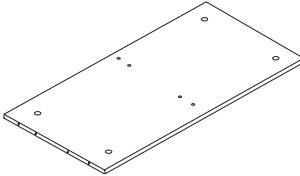
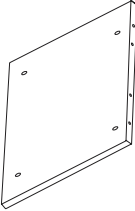
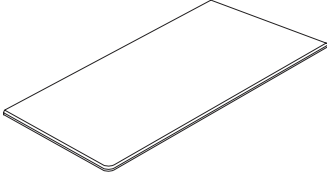
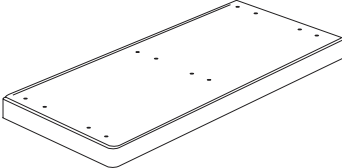
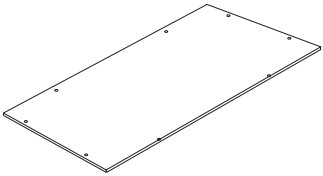
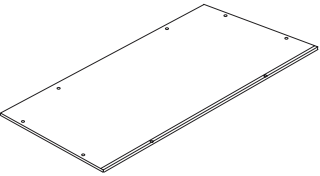
### **Could we do better?**

If there is anything you think could be improved in these instructions or in the assembly of this product we'd be grateful if you could let us know; we'll pass any helpful hints and tips on to other customers via our website and update the instructions.


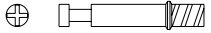





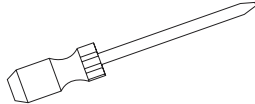
All you need to do is drop us a line at [\*\*instructions@gltc.co.uk\*\*](mailto:instructions@gltc.co.uk)

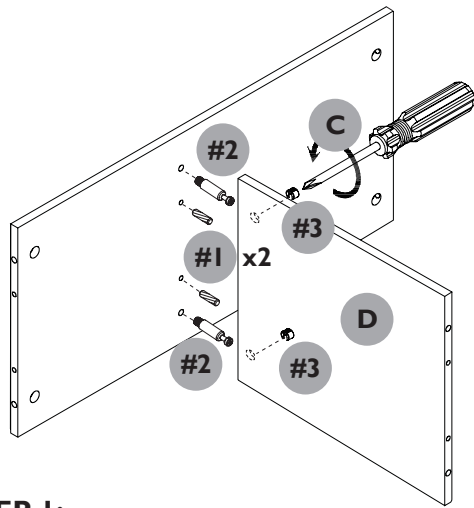
Thank you.

## Component Check List




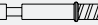


<p><b>A</b></p>  <p>x1 RH Side Panel</p>	<p><b>B</b></p>  <p>x1 LH Side Panel</p>
<p><b>C</b></p>  <p>x1 Shelf Panel</p>	<p><b>D</b></p>  <p>x1 Divider Panel</p>
<p><b>E</b></p>  <p>x1 Top Panel</p>	<p><b>F</b></p>  <p>x1 Base Panel</p>
<p><b>G</b></p>  <p>x1 Lower Back Panel</p>	<p><b>H</b></p>  <p>x1 Upper Back Panel</p>

## Component Check List

<p><b>#1</b></p>  <p>16x Wooden Dowels 20mmL</p>	<p><b>#2</b></p>  <p>10x Cam Dowels 35mmL</p>
<p><b>#3</b></p>  <p>10 x Cam Locks 14mm Diameter</p>	<p><b>#4</b></p>  <p>12 x Screws 12mmL</p>
<p><b>#5</b></p>  <p>6 x Bolts 42mmL</p>	<p><b>#6</b></p>  <p>6 x Barrel Nuts 9mm Diameter</p>
<p><b>#7</b></p>  <p>1x Allen Key</p>	<p>You will need (not supplied)</p>  <p>Philips Head Screwdriver</p>



**Hardware for Step 1:**

-   2x #1 Wooden Dowels
-   2x #2 Cam Dowels
-   2x #3 Cam Locks

**STEP 1:**

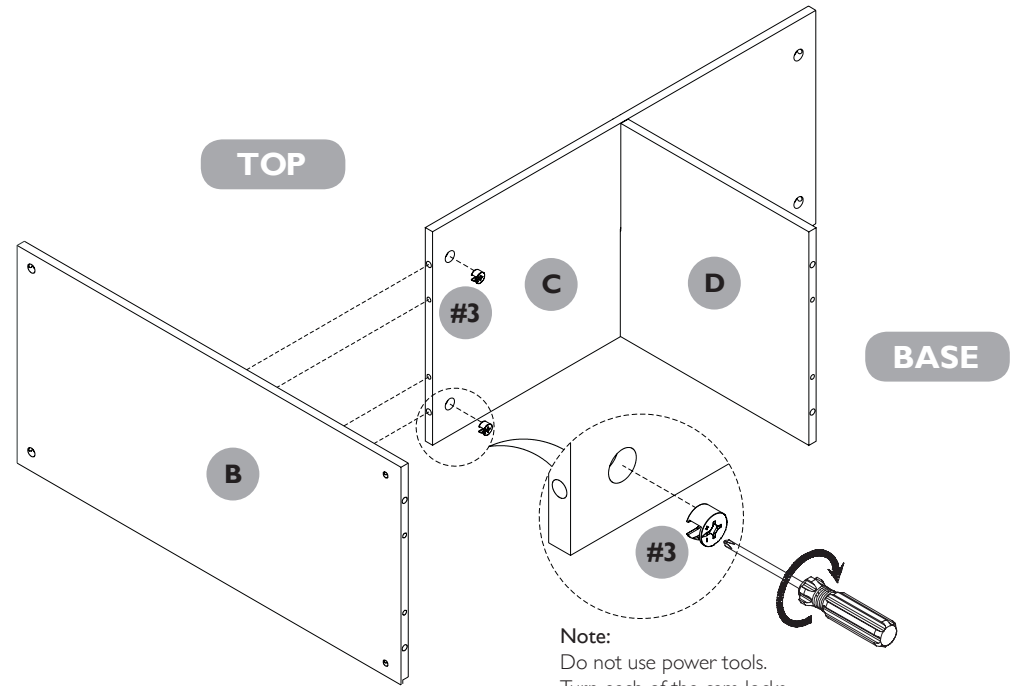
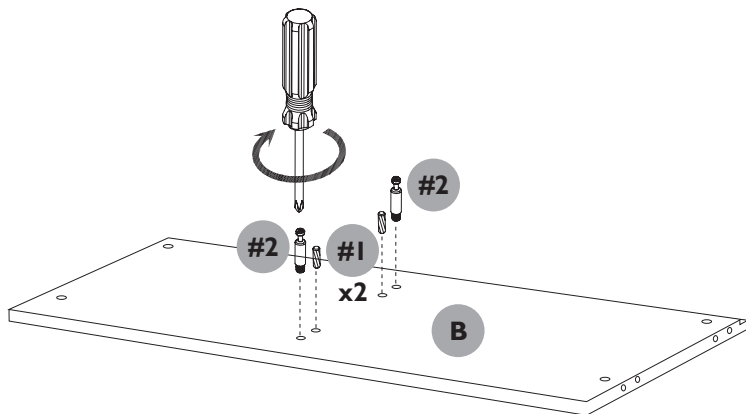
Insert x2 wooden dowels (#1), and x2 cam dowels (#2) to shelf panel (C). Slot divider panel (D) to the fixed hardware, ensuring the side with the hardware holes is facing down and secure with x2 cam locks (#3).

**Hardware for Step 2:**

-   2x #1 Wooden Dowels
-   2x #2 Cam Dowels



**STEP 2:**

Insert x2 wooden dowels (#1), and x2 cam dowels (#2) to side panel (B).



**Note:**  
Do not use power tools.  
Turn each of the cam locks (#3) clockwise to lock them.

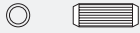
**Hardware for Step 3:**

-   2x #3 Cam Locks

**STEP 3:**

Slot side panel (B) to shelf panel (C), ensuring that the smaller hardware holes are at the base end, and that the ledged side is facing down. Secure panel (B) with x2 cam locks (#3).

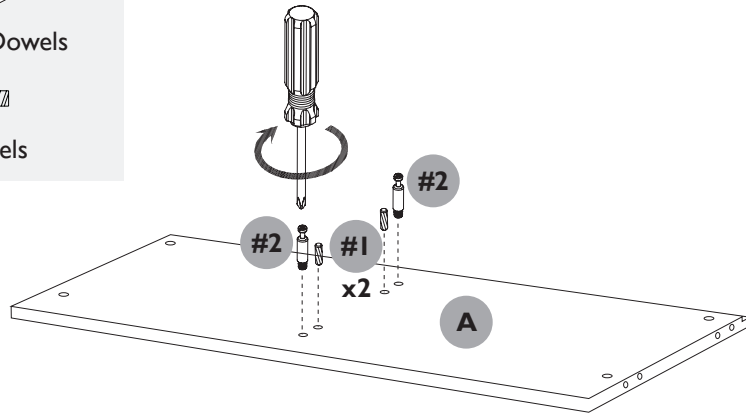
### Hardware for Step 4:



2x #1 Wooden Dowels



2x #2 Cam Dowels

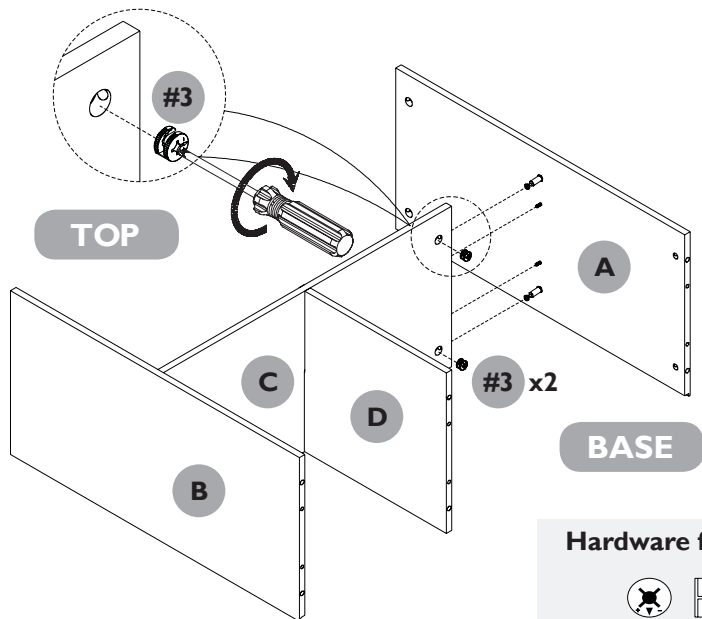


### STEP 4:

Insert x2 wooden dowels (#1), and x2 cam dowels (#2) to side panel (A).

### STEP 5:

Slot side panel (A) to shelf panel (C), ensuring that the smaller hardware holes are at the base end, and that the ledged side is facing down. Secure panel (A) with x2 cam locks (#3).



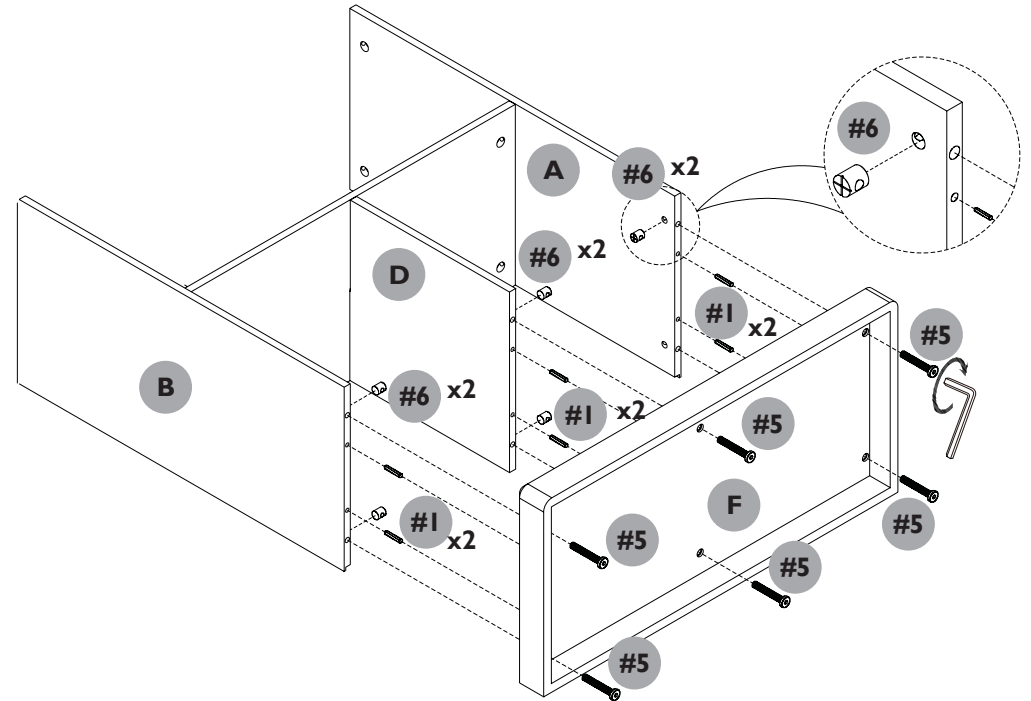
### Hardware for Step 5:



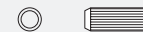
2x #3 Cam Locks

### STEP 6:

Attach the base panel (F) to the unit using x6 wooden dowels (#1), x 6 bolts (#5) and x6 barrel nuts (#6) as shown, ensuring the ledged side of panel (E) is facing downwards. Tighten the bolts using the allen key provided.



### Hardware for Step 6:



6x #1 Wooden Dowels



6x #6 Barrel Nuts

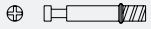


6x #5 Bolts 42mmL

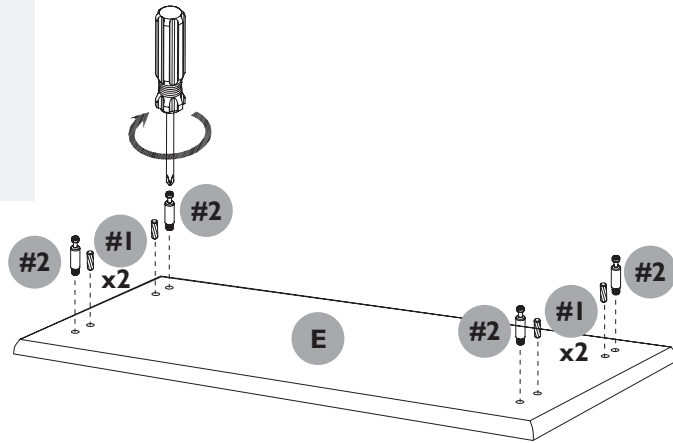
### Hardware for Step 7:



4x #1 Wooden Dowels



4x #2 Cam Dowels



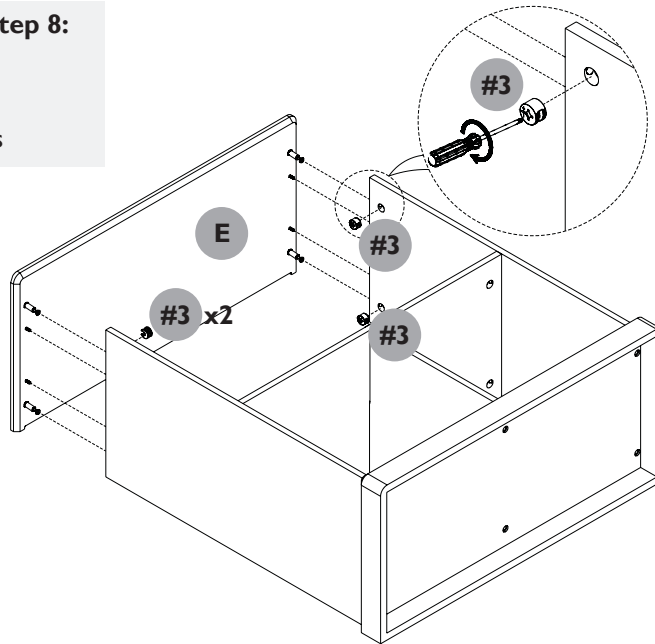
### STEP 7:

Insert x4 wooden dowels (#1), and x4 cam dowels (#2) to top panel (E).

### Hardware for Step 8:



4x #3 Cam Locks

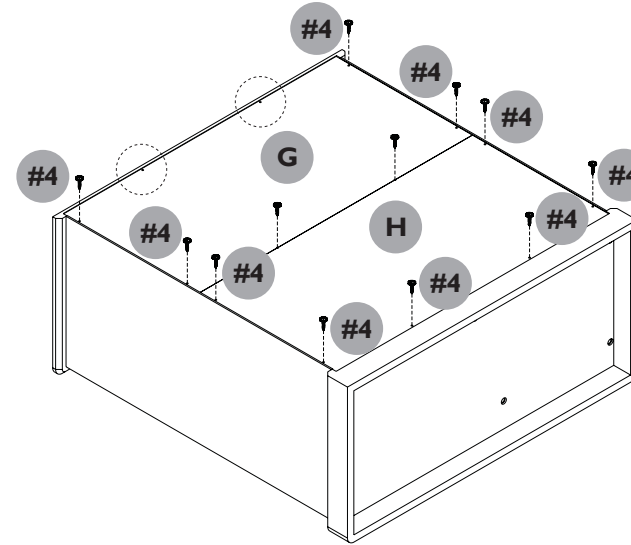


### STEP 8:

Position top panel (E) onto the unit. Once in place, insert x4 cam locks (#3) into the larger hardware holes and turn clockwise to secure the top panel in place. Ensure that the ledged side of panel (E) is facing downwards.

### STEP 9:

Carefully turn over the unit and attach the back panels (G & H) using x12 screws (#4). Please note that the 2x pilot holes indicated at the top of the unit are to attach anti-tip straps included separately with this item.



### Hardware for Step 9:



12x #4 Screws 12mmL

### Your unit is ready to use.

Attach the anti tip straps to the back of the unit using the remaining drill holes. For details on securing the unit to the wall see the anti-tip kit guidance.

