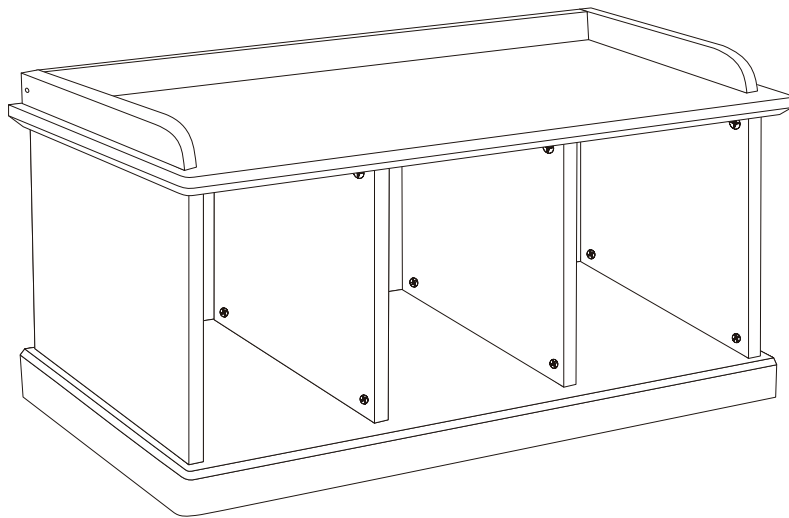




gltc.co.uk

Abbeville Storage - Bench



Assembly Difficulty



easy - medium - hard



one-person job



12/11/2018

Thank you for shopping with GLTC, we hope you enjoy having this product in your home.

We know assembling furniture, toys or accessories is not everyone's favourite way to spend their time, so we've tried to make assembling this item as quick and painless as possible.

Hopefully our efforts will have been worthwhile and you'll sail through the whole process. But if it all feels a bit too much like hard work, then we do have an assembly company we can recommend: the Flatpack Construction Company offers a nationwide service and can be contacted on **0843 289 4951** or **www.flatpackconstruction.co.uk**.

Good luck!

A few important pointers before you start:

- It might be worth checking on our website that there are no updates or revisions to these instructions (if we have had helpful feedback from other customers we pass it on via the product web page). Simply check the date and version number on the front of this leaflet against that of any site updates.
- Please read the instructions right through before you start, and check that all the components have been included in the pack; we find separating all the hardware into piles makes it easier to be sure that everything is present and correct.
- Make sure you have the right tools. Allen keys are provided if required, but screw drivers and other tools are not. You'll find details of the tools you need at the beginning of the instructions.
- It's a good idea to build the unit in the room where you are going to be using it, to avoid the need to move it after it's been assembled.
- Do not throw away any packing materials until assembly is complete, just in case you accidentally discard smaller parts or hardware.

Safety Warnings:

- CAUTION Adult assembly required.
- In an unassembled state product contains small parts which may pose a choking hazard.
- Children should be kept away from the product during assembly to avoid any possible risk of injury.
- Assemble and use on a flat and level surface.
- Do not use power tools in the assembly of this product as there is a risk of over-tightening and consequently splitting of the wood.
- To avoid possible injury from tipping, DO NOT allow children to climb on this product.
- Check fixtures and fittings regularly and tighten as necessary.
- Please retain these instructions for future reference.

Customer Service:

- If you find that any components are missing or damaged, please do not begin assembly and do not use the item. Please contact GLTC Customer Services on **0344 848 6000** immediately.
- We do stock spare hardware packs at our warehouse, so we should be able to send you a replacement pack immediately if required.

Product Care:

- Wipe clean only.
- Do NOT use cleaning products which contain ammonia, solvents or abrasive material.
- Do NOT expose the item to extremes of heat and humidity.

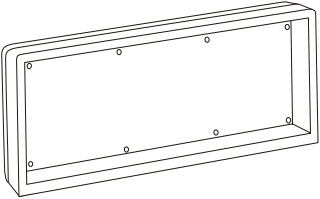
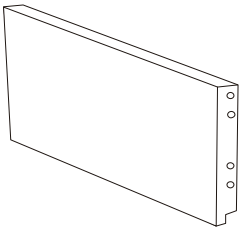
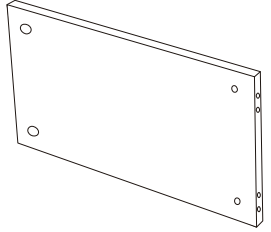
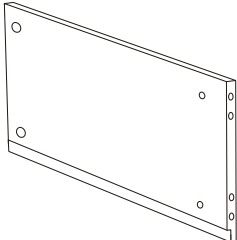
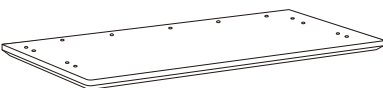
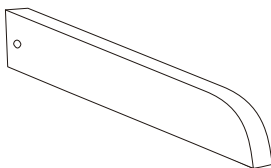
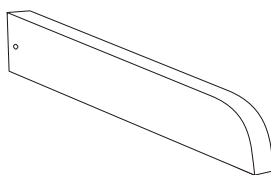
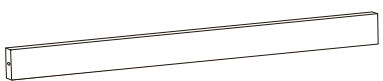
Could we do better?

If there is anything you think could be improved in these instructions or in the assembly of this product we'd be grateful if you could let us know; we'll pass any helpful hints and tips on to other customers via our website and update the instructions.

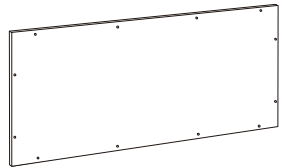




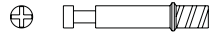



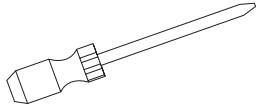
All you need to do is drop us a line at [**instructions@gltc.co.uk**](mailto:instructions@gltc.co.uk)

Thank you.

Component Check List

<p>A</p>  <p>1x Base Panel</p>	<p>B</p>  <p>1x LH Side Panel</p>
<p>C</p>  <p>2 x Divider Panels</p>	<p>D</p>  <p>1 x Right Side Panel</p>
<p>E</p>  <p>1 x Top Panel</p>	<p>F</p>  <p>1x LH Upstand</p>
<p>G</p>  <p>1 x RH Upstand</p>	<p>H</p>  <p>1 x Upstand</p>

Component Check List

<p>I</p>  <p>1 x Back Panel</p>	<p>#1</p>  <p>8 x Bolts 42mmL</p>
<p>#2</p>  <p>8 x Barrel Nuts 14mm Diameter</p>	<p>#3</p>  <p>22x Wooden Dowels 20mmL</p>
<p>#4</p>  <p>8 x Cam Locks 14mm Diameter</p>	<p>#5</p>  <p>8x Cam Dowels 35mmL</p>
<p>#6</p>  <p>9 x Screws 25mmL</p>	<p>#7</p>  <p>12 x Screws 16mmL</p>
<p>I</p>  <p>1x Allen Key</p>	<p>You will need (not supplied)</p>  <p>Philips Head Screwdriver</p>

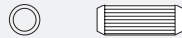
Hardware for Step 1:



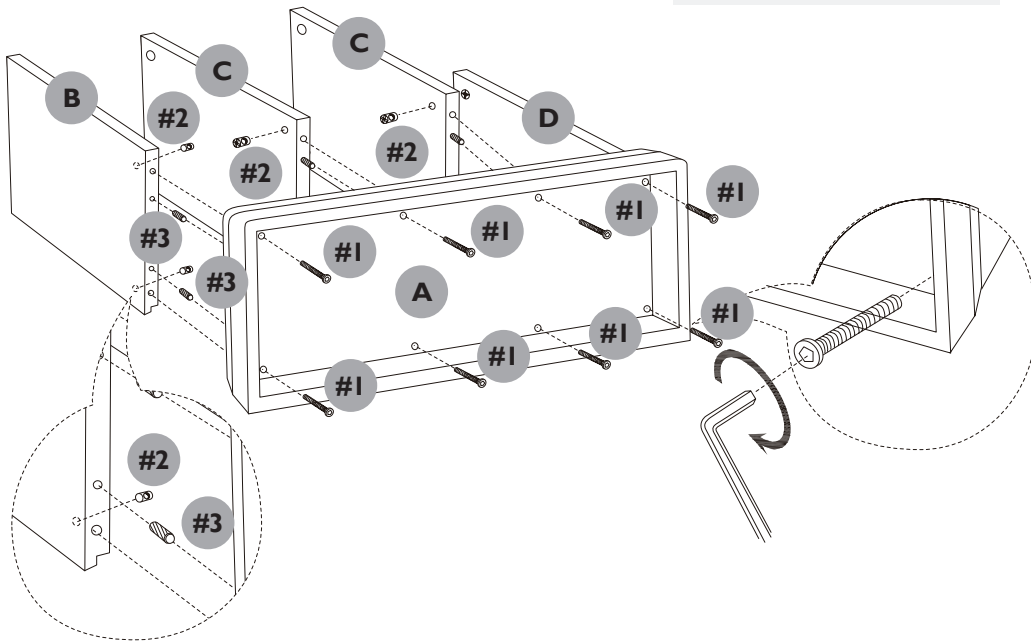
8x #1 Bolts 42mmL



8x #2 Barrel Nuts



8x #3 Wooden Dowels



STEP 1:

Oriente panels B, C and D as shown ensuring that the larger hardware holes are at the top of all panels and the grooved edge of the side panels B and D are facing down. Insert x8 barrel nuts (#2) and x6 wooden dowels (#3) to the ends of panels B, C and D.

Align base panel (A) to the panels ensuring that the rounded corners are facing up and the grooved edge is to the floor. Secure the base panel with x8 bolts (#1) using the allen key provided.

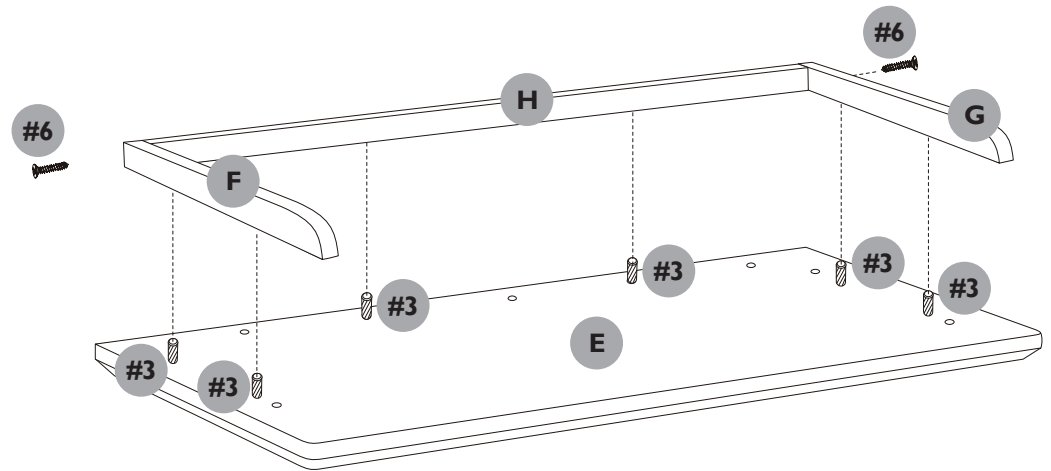
Hardware for Step 2:



2x #6 Screws 25mmL



6x #3 Wooden Dowels



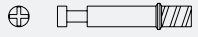
STEP 2:

Assemble the upstand by attaching panels F and G to panel H as shown with x2 screws (#6). Insert x6 wooden dowels (#3) to the top panel (E) and slot the upstand to this top panel. This will be secured in the next step.

Hardware for Step 3:



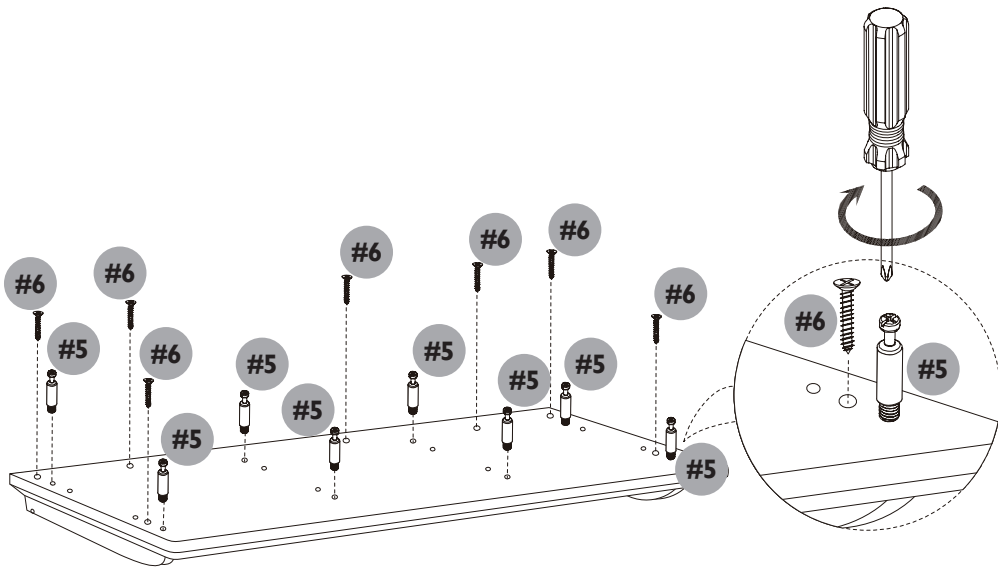
7x #6 Screws 25mmL



8x #5 Cam Dowels

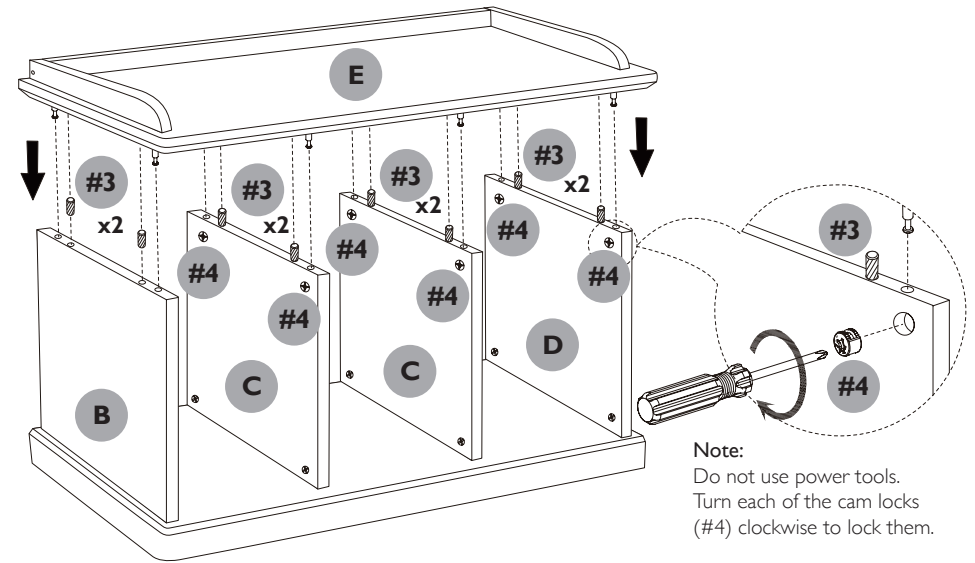
STEP 3:

Carefully turn over the top panel and upstand and secure the upstand with x7 screws (#6). Affix x8 cam dowels (#5) to this side of the top panel (E).



STEP 4:

Insert x8 wooden dowels (#3) to the top of panels B, C and D and slot top panel (E) to these panels. Secure with x8 cam locks (#4).



Hardware for Step 4:



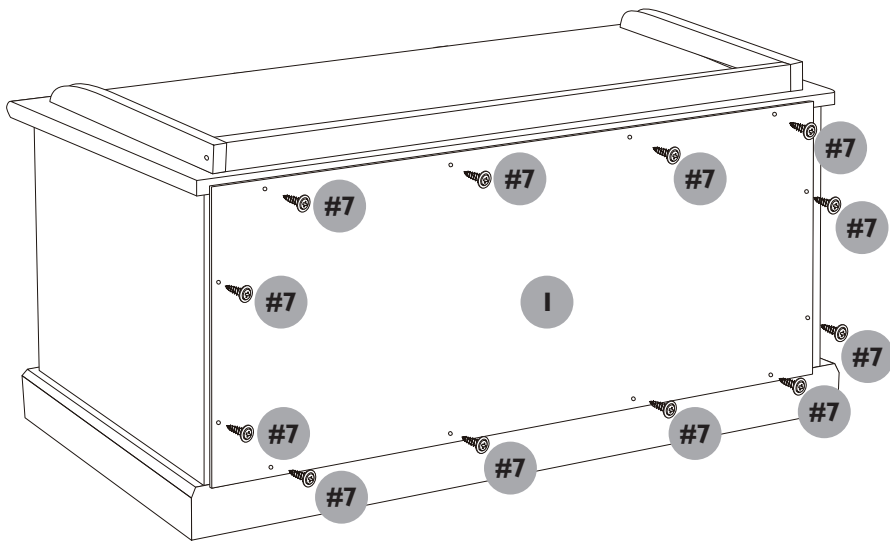
8x #4 Cam Locks



8x #3 Wooden Dowels

STEP 5:

Slot the back panel (I) into the grooves and secure with x12 screws (#7).



Hardware for Step 5:



12x #7 Screws

Your item is ready to use.

