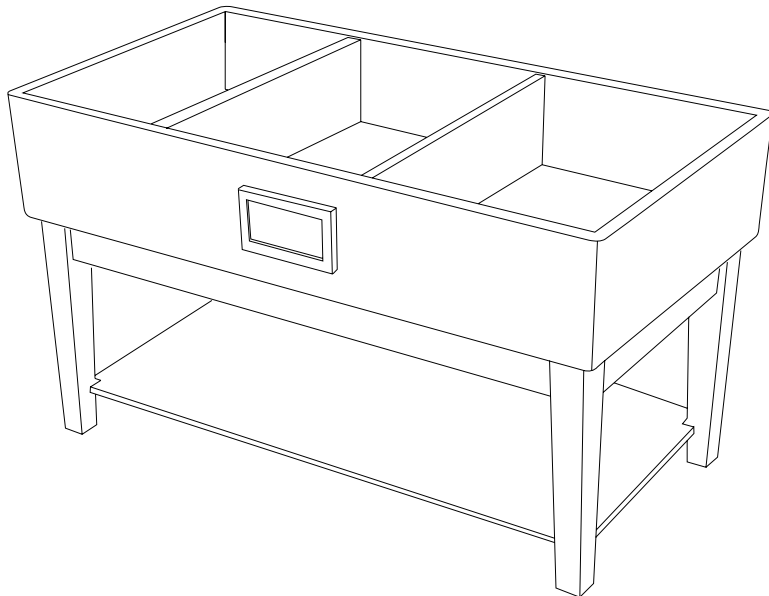


**Great
Little**
Trading Co.

gltc.co.uk

Potter Toy Storage L4616



Assembly Difficulty



easy - medium - hard



one-person job

VI

01/11/2018

Thank you for shopping with GLTC, we hope you enjoy having this product in your home.

We know assembling furniture, toys or accessories is not everyone's favourite way to spend their time, so we've tried to make assembling this item as quick and painless as possible.

Hopefully our efforts will have been worthwhile and you'll sail through the whole process. But if it all feels a bit too much like hard work, then we do have an assembly company we can recommend: the Flatpack Construction Company offers a nationwide service and can be contacted on **0843 289 4951** or **www.flatpackconstruction.co.uk**.

Good luck!

A few important pointers before you start:

- It might be worth checking on our website that there are no updates or revisions to these instructions (if we have had helpful feedback from other customers we pass it on via the product web page). Simply check the date and version number on the front of this leaflet against that of any site updates.
- Please read the instructions right through before you start, and check that all the components have been included in the pack; we find separating all the hardware into piles makes it easier to be sure that everything is present and correct.
- Make sure you have the right tools. Allen keys are provided if required, but screw drivers and other tools are not. You'll find details of the tools you need at the beginning of the instructions.
- It's a good idea to build the unit in the room where you are going to be using it, to avoid the need to move it after it's been assembled.
- Do not throw away any packing materials until assembly is complete, just in case you accidentally discard smaller parts or hardware.

Safety Warnings:

- Adult assembly required.
- Unassembled product contains small parts which may present a choking hazard.
- Children should be kept away from the product during assembly to avoid any possible risk of injury.
- Assemble and use on a flat and level surface.
- To avoid possible injury - Do not allow children to climb on the product.
- **DO NOT** use power tools in the assembly of this product as there is a risk of over-tightening and consequently splitting of the wood.
- Check all fixtures and fittings regularly and tighten as necessary.
- Please retain these instructions for future reference.

Customer Service:

- If you find that any components are missing or damaged, please do not begin assembly and do not use the item. Please contact GLTC Customer Services on **0344 848 6000** immediately.
- We do stock spare hardware packs at our warehouse, so we should be able to send you a replacement pack immediately if required.

Product Care:

- Wipe clean only.
- Do **NOT** use cleaning products which contain ammonia, solvents or abrasive material.
- Do **NOT** expose the item to extremes of heat and humidity.

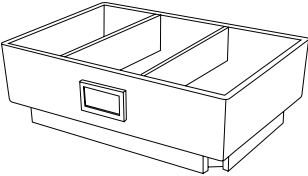
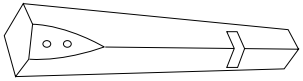
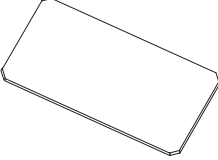
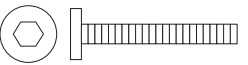


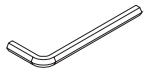
Could we do better?

If there is anything you think could be improved in these instructions or in the assembly of this product we'd be grateful if you could let us know; we'll pass any helpful hints and tips on to other customers via our website and update the instructions.

All you need to do is drop us a line at [**instructions@gltc.co.uk**](mailto:instructions@gltc.co.uk)

Thank you.

Component Check List

<p>A</p>  <p>1x Assembled Top</p>	<p>B</p>  <p>4x Legs</p>
<p>C</p>  <p>x1 Shelf Panel</p>	<p>#1</p>  <p>8x Bolts 53mmL</p>
<p>#2</p>  <p>8x Flat Washers</p>	<p>#3</p>  <p>8x Split Washers</p>
<p>#4</p>  <p>1x Allen Key</p>	

Hardware for Step 1:



4x #1 53mmL Bolts

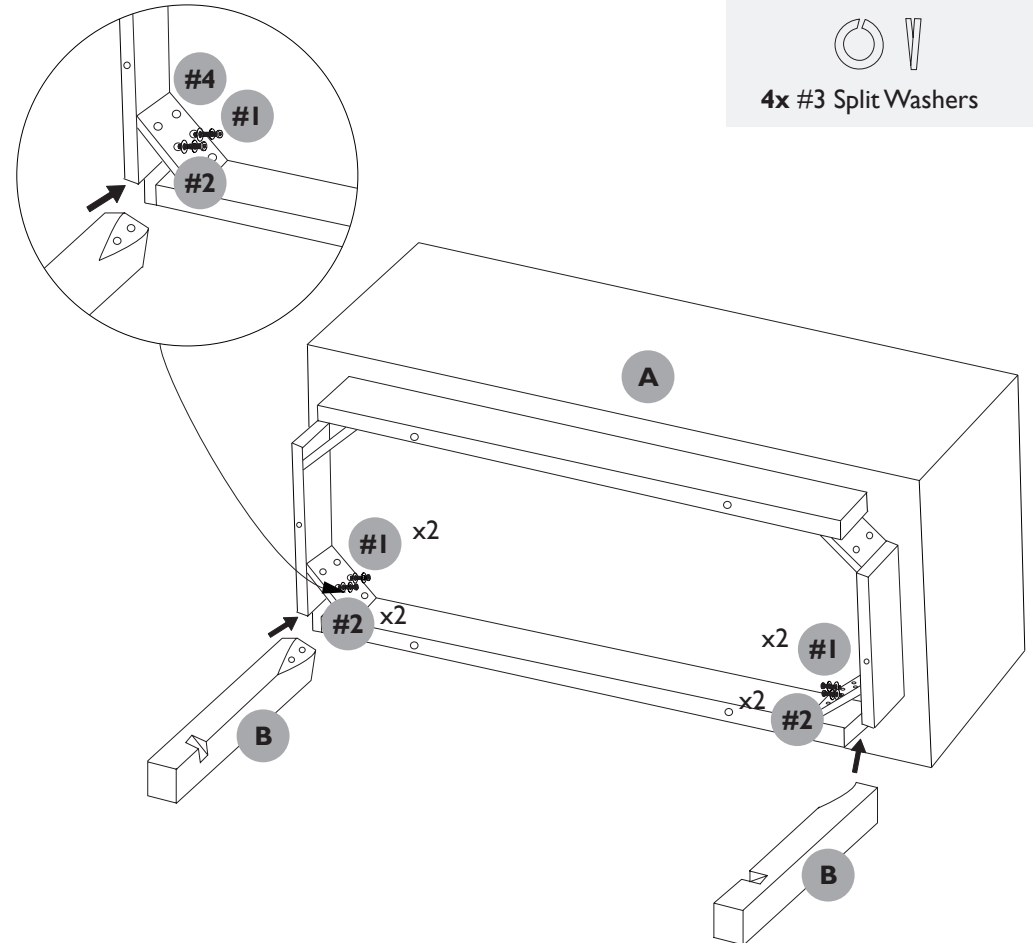


4x #2 Flat Washers



4x #3 Split Washers

Note: Ensure you thread on a split washer, then flat washer to each bolt when attaching the legs.

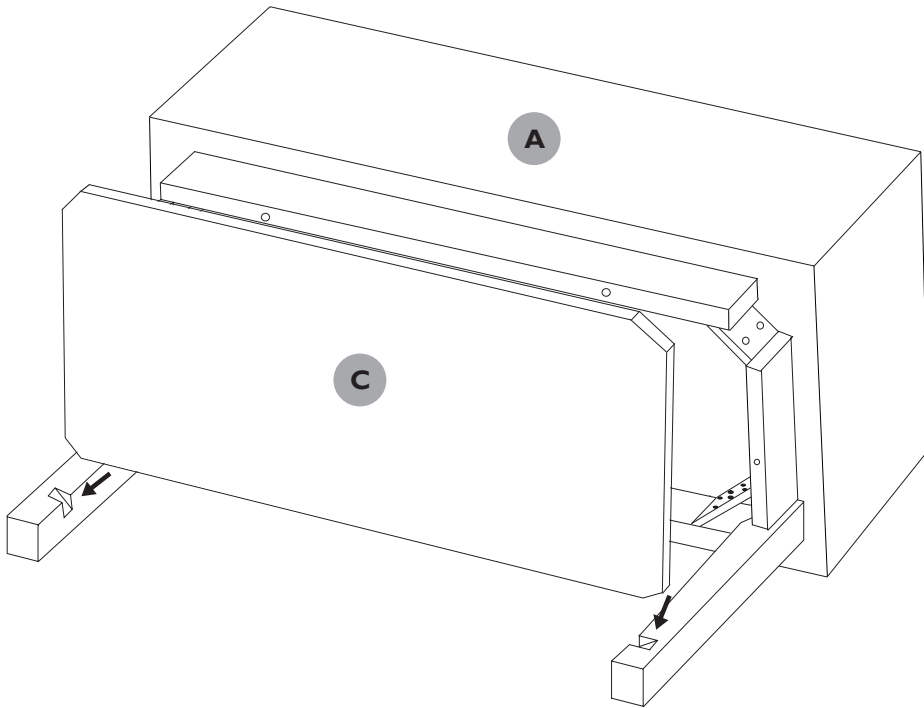


STEP 1:

Secure 2x legs (B) to the assembled top (A) with 4x bolts (#1) and 2x washers (#3) and (#2). Tighten with the allen key provided.

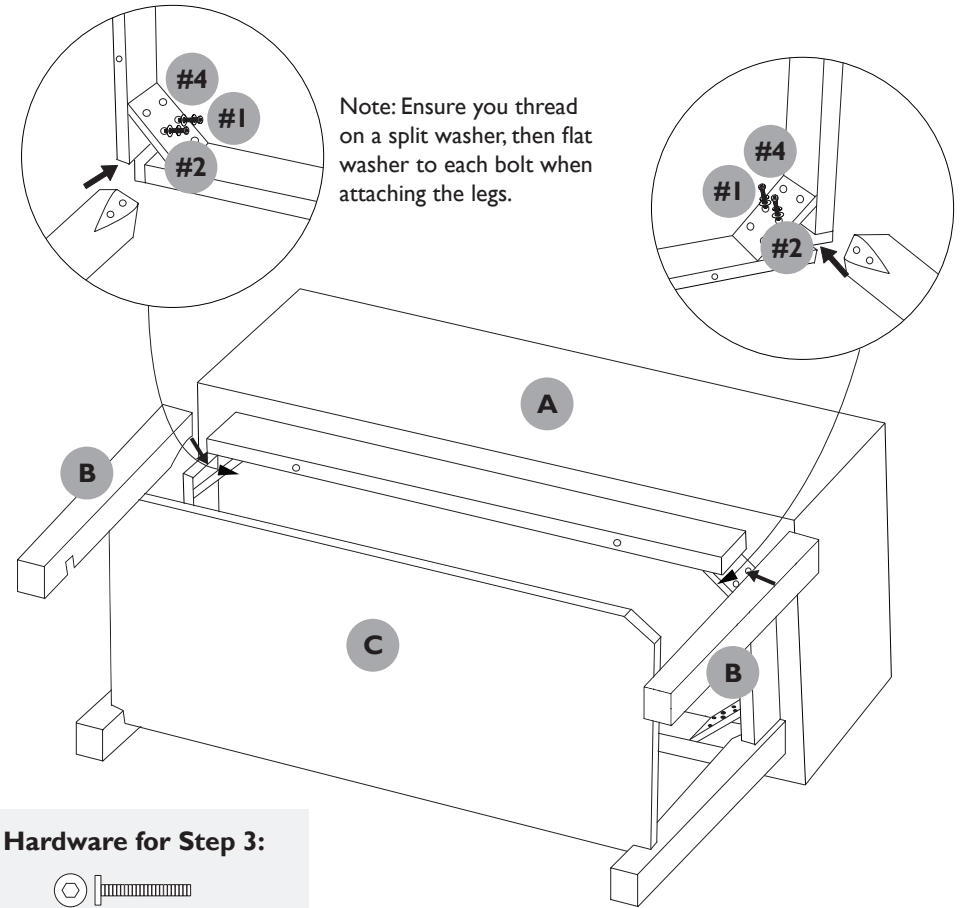
STEP 2:

Place the shelf panel (C) to the cut outs on the attached legs.



STEP 3:

Secure the remaining x2 legs panels (B) to the assembled top (A) with 4x bolts (#1) and 2x washers (#3) and (#2). Tighten with the allen key provided ensuring the shelf panel slots into the top legs panels so fully secure.



Hardware for Step 3:



4x #1 53mmL Bolts



4x #2 Washers



4x #3 Split Washers

STEP 5:

Your product is ready to use.

