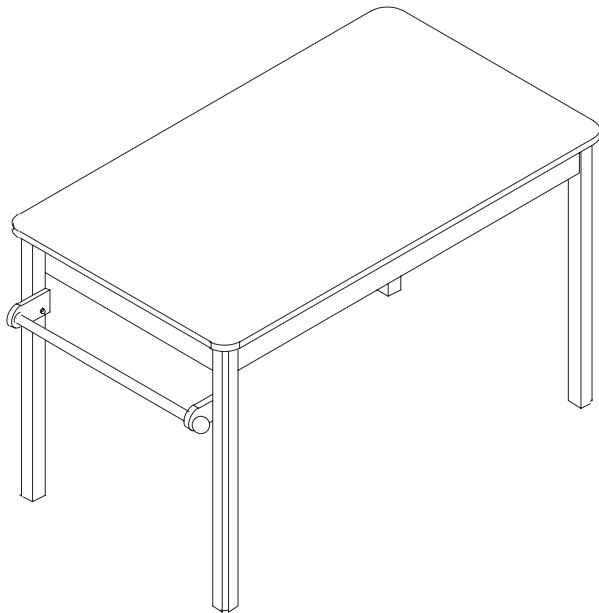


**Great  
Little**  
Trading Co.

gltc.co.uk

## **Growing Activity Table L4597**



Assembly Difficulty



easy - medium - hard



one-person job

VI

21/12/2018

**Thank you for shopping with GLTC, we hope you enjoy having this product in your home.**

We know assembling furniture, toys or accessories is not everyone's favourite way to spend their time, so we've tried to make assembling this item as quick and painless as possible.

Hopefully our efforts will have been worthwhile and you'll sail through the whole process. But if it all feels a bit too much like hard work, then we do have an assembly company we can recommend: the Flatpack Construction Company offers a nationwide service and can be contacted on **0843 289 4951** or **www.flatpackconstruction.co.uk**.

Good luck!

### **A few important pointers before you start:**

- It might be worth checking on our website that there are no updates or revisions to these instructions (if we have had helpful feedback from other customers we pass it on via the product web page). Simply check the date and version number on the front of this leaflet against that of any site updates.
- Please read the instructions right through before you start, and check that all the components have been included in the pack; we find separating all the hardware into piles makes it easier to be sure that everything is present and correct.
- Make sure you have the right tools. Allen keys are provided if required, but screw drivers and other tools are not. You'll find details of the tools you need at the beginning of the instructions.
- It's a good idea to build the unit in the room where you are going to be using it, to avoid the need to move it after it's been assembled.
- Do not throw away any packing materials until assembly is complete, just in case you accidentally discard smaller parts or hardware.

### **Safety Warnings:**

- Adult assembly required.
- Unassembled product contains small parts which may present a choking hazard.
- Children should be kept away from the product during assembly to avoid any possible risk of injury.
- Check all fixtures and fittings regularly and tighten as necessary.
- Assemble and use on a flat and level surface.
- To avoid possible injury - Do not allow children to climb on the product.
- DO NOT use power tools in the assembly of this product as there is a risk of over-tightening and consequently splitting of the wood.

Please retain these instructions for future reference.

### **Further Information:**

- This product is designed to be used with paper roll 45cmW x 7.5cmD available at [gltc.co.uk](http://gltc.co.uk).
- For other sources of paper please note the diameter of the wooden paper pole is 25mm.

### **Customer Service:**

- If you find that any components are missing or damaged, please do not begin assembly and do not use the item. Please contact GLTC Customer Services on **0344 848 6000** immediately.
- We do stock spare hardware packs at our warehouse, so we should be able to send you a replacement pack immediately if required.

### **Product Care:**

- Wipe clean only.
- Do NOT use cleaning products which contain ammonia, solvents or abrasive material.
- Do NOT expose the item to extremes of heat and humidity.

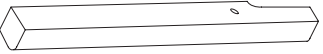
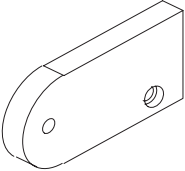
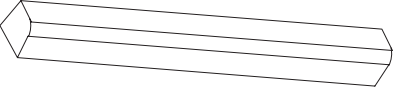
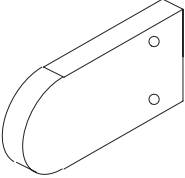
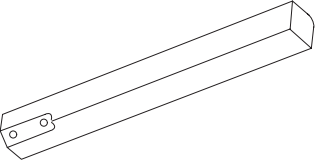
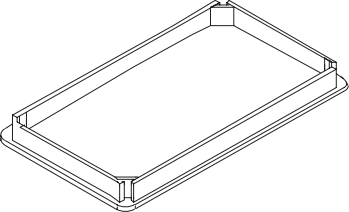

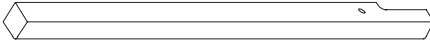
### **Could we do better?**

If there is anything you think could be improved in these instructions or in the assembly of this product we'd be grateful if you could let us know; we'll pass any helpful hints and tips on to other customers via our website and update the instructions.

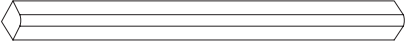
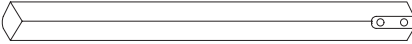
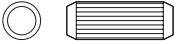
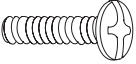
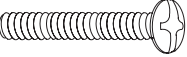

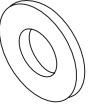
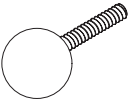
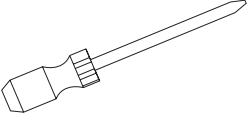
All you need to do is drop us a line at [\*\*instructions@gltc.co.uk\*\*](mailto:instructions@gltc.co.uk)

Thank you.

## Component Check List

<p><b>A</b></p>  <p>x1 LH Short Leg</p>	<p><b>B</b></p>  <p>x1 Rail Support Panel</p>
<p><b>C</b></p>  <p>x1 LH Short Leg</p>	<p><b>D</b></p>  <p>x1 Rail Support Panel</p>
<p><b>E</b></p>  <p>x2 RH Short Legs</p>	<p><b>F</b></p>  <p>x1 Table Top</p>
<p><b>G</b></p>  <p>x1 Wooden Paper Pole</p>	<p><b>H</b></p>  <p>x1 LH Long Leg</p>

## Component Check List

<p><b>I</b></p>  <p>x1 LH Long Leg</p>	<p><b>J</b></p>  <p>x2 RH Long Legs</p>
<p><b>#1</b></p>  <p>x2 Wooden Dowels</p>	<p><b>#2</b></p>  <p>x2 Cross Head Bolts 25mmL</p>
<p><b>#3</b></p>  <p>x8 Cross head Bolts 45mm</p>	<p><b>#4</b></p>  <p>x8 Split Washers</p>
<p><b>#5</b></p>  <p>x8 Flat Washers</p>	<p><b>#6</b></p>  <p>x1 Ball Ended Screw</p>
<p>You will need (not supplied)</p>  <p>Philips Head Screwdriver</p>	<p>You will need (not supplied)</p> <p>Paper Roll 45cmW x 7.5cmD available at <a href="http://gtc.co.uk">gtc.co.uk</a></p>

## Note

This table is designed to grow with your child. There are two sizes of wooden legs (x4) included with this product. Before constructing, decide at which height you would like the table and select the appropriate legs.

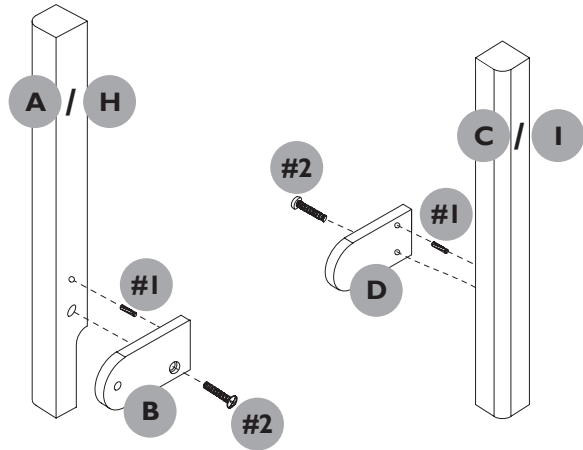
### Hardware for Step 1:



x2 #1 Wooden Dowel



x2 #2 Cross Head Bolts  
25mmL



## STEP 1:

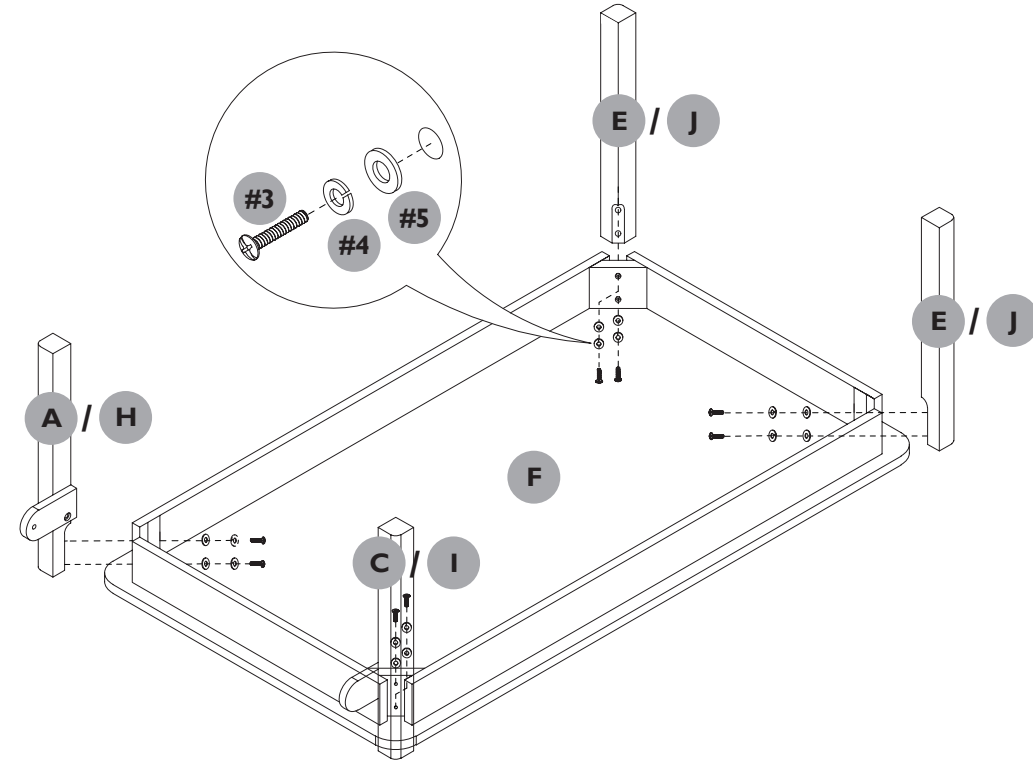
In this step we show the attachment of the shorter legs A and C, select legs H and I if you would like to build with the longer legs.

Insert x1 wooden dowel (#1) into each leg and fit the rail support panel (B & D) to the correct leg and secure with x1 bolt (#2).

## STEP 2:

Attach the table legs to the table top (F) as shown with x8 bolts (#3).

Thread x1 split washer (#4) then x1 flat washer (#5) to each bolt as shown before securing. Make sure all bolts are fully tight.



### Hardware for Step 2:



x8 #3 Bolts 45mmL



x8 #4 Split Washers

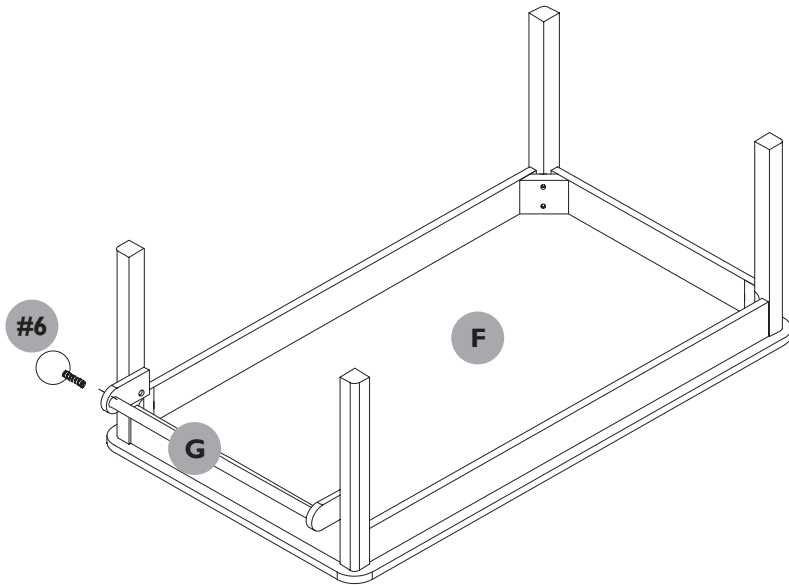


x8 #5 Flat Washers

### Hardware for Step 3:



x1 #6 Ball ended Screw



### STEP 3:

**Please note:** If purchased a paper roll from GLTC, place this on the wooden pole (G).

Slot in the wooden rail ensuring that the end with the hardware hole is at the end with the corresponding hardware hole. Secure the wooden pole in place with the ball ended screw (#6).

Your item is now ready to use.

**Please note:** Ensure that the remaining wooden legs (x4) and this instruction pack are kept securely for future reference. When you want to change the legs, refer back to step 1 of this instruction pack for guidance. You will not require any further hardware to change the legs.

