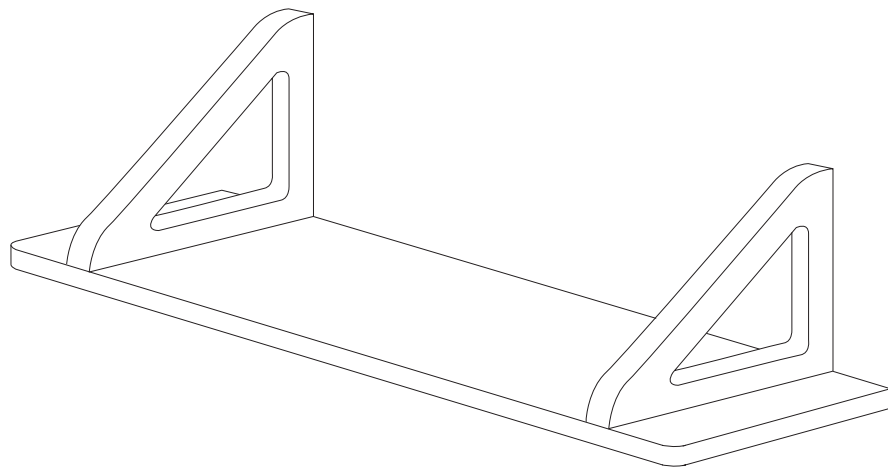




gltc.co.uk

This Way That Way Shelf



Assembly Difficulty



easy - medium - hard



one-person job

V2

25/08/2020

Thank you for shopping with GLTC, we hope you enjoy having this product in your home.

We know assembling furniture, toys or accessories is not everyone's favourite way to spend their time, so we've tried to make assembling this item as quick and painless as possible.

Hopefully our efforts will have been worthwhile and you'll sail through the whole process. But if it all feels a bit too much like hard work, then we do have an assembly company we can recommend: the Flatpack Construction Company offers a nationwide service and can be contacted on **0843 289 4951** or **www.flatpackconstruction.co.uk**.

A few important pointers before you start:

- Please read the instructions right through before you start, and check that all the components have been included in the pack; we find separating all the hardware into piles makes it easier to be sure that everything is present and correct.
- Make sure you have the right tools. Allen keys are provided if required, but screw drivers and other tools are not. You'll find details of the tools you need at the beginning of the instructions.
- It's a good idea to build the unit in the room where you are going to be using it, to avoid the need to move it after it's been assembled.
- Do not throw away any packing materials until assembly is complete, just in case you accidentally discard smaller parts or hardware.

Safety Warnings:

- CAUTION Adult assembly required.
- In an unassembled state product contains small parts which may pose a choking hazard, not suitable for children under 3 years.
- Assembly to be carried out by a competent adult only. During assembly children should be kept away from the product due to possible risk of injury. Do not use this item if any components are missing or damaged.
- DO NOT use power tools in the assembly of this product as there is a risk of over-tightening and consequently splitting of the wood
- Wall fixings not included. Please use appropriate fixings that are suitable for the wall type. If in doubt, please seek professional advice.
- Max Shelf Loading: 25 Kgs
- Made in China.
- Please retain this information for future reference.

Customer Service:

- If you find that any components are missing or damaged, please do not begin assembly and do not use the item. Please contact GLTC Customer Services on **0344 848 6000** immediately.
- We do stock spare hardware packs at our warehouse, so we should be able to send you a replacement pack immediately if required.

Product Care:

- Wipe clean using a soft damp cloth followed by a dry cloth.
- Do NOT use cleaning products which contain ammonia, solvents or abrasive material.
- Do NOT expose the item to extremes of heat and humidity.

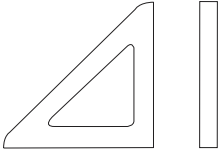


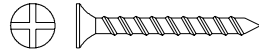
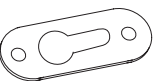
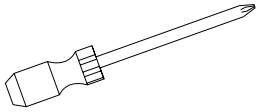
Could we do better?

If there is anything you think could be improved in these instructions or in the assembly of this product we'd be grateful if you could let us know; we'll pass any helpful hints and tips on to other customers via our website and update the instructions.

All you need to do is drop us a line at [**instructions@gltc.co.uk**](mailto:instructions@gltc.co.uk)

Thank you

Component Check List

<p>A</p>  <p>2x Shelf Supports (Left and Right)</p>	<p>B</p>  <p>1x Shelf</p>
<p>#1</p>  <p>4x Screws 12mmL</p>	<p>#2</p>  <p>4x Screws 30mmL</p>
<p>#3</p>  <p>2x Wall Fixings</p>	<p>You will need (not supplied)</p>  <p>Phillips Head Screwdriver</p>

Hardware for Step 1:



x4 #1 12mmL screws

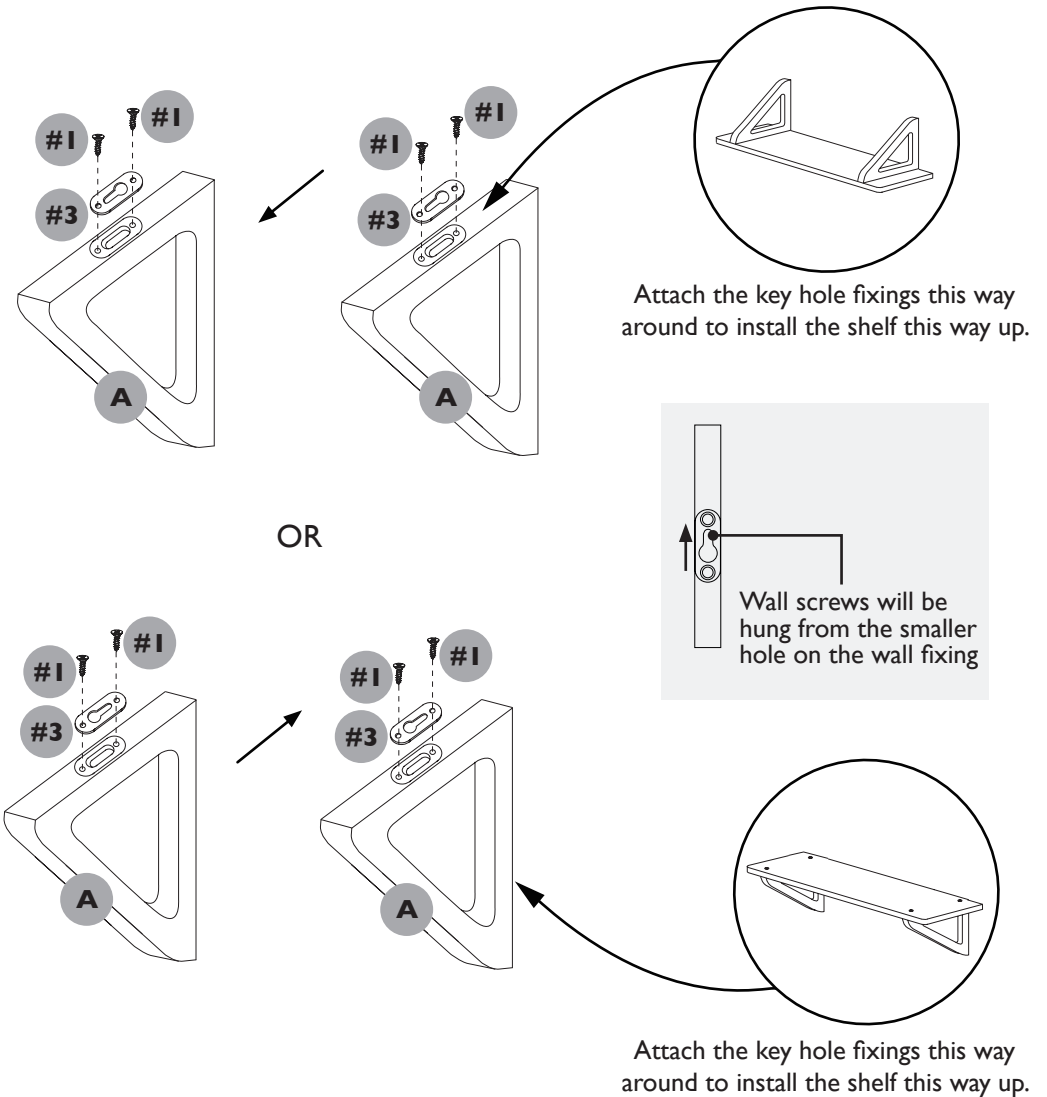


x2 #3 key hole fixings

STEP 1:

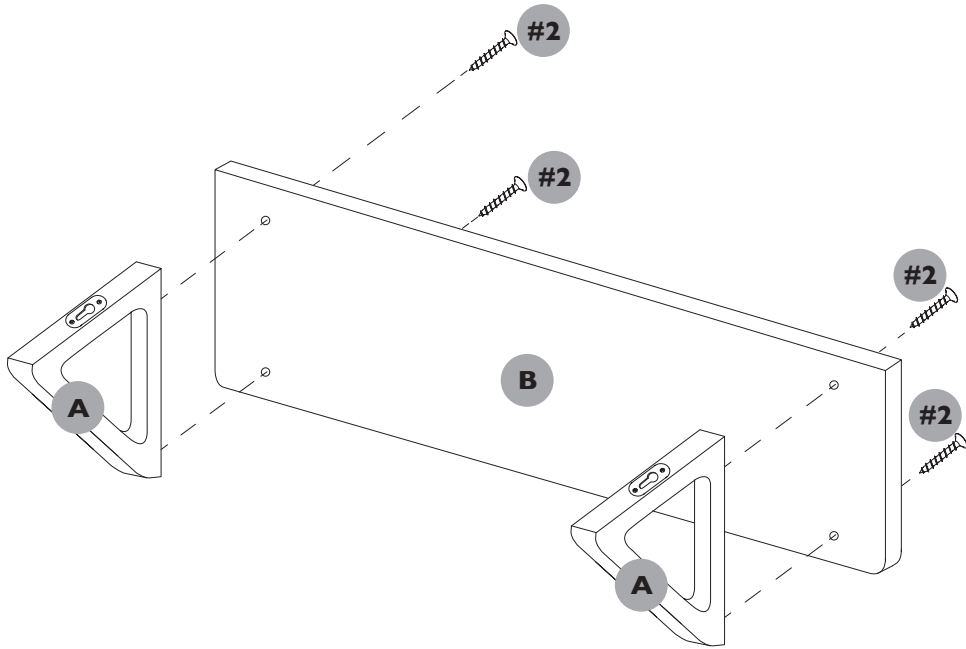
Firstly, decide which way up you would like to hang your shelf.

Then attach the key hole fixings (#3) to the shelf supports (A) using 2x 12mm screws (#1) as shown below.



Hardware for Step 2:


x4 #2 30mmL screws



STEP 2:

Position the shelf supports (A) in line with the holes on the shelf panel (B). Secure with 4x 30mm screws (#2) as shown.

2x Wall Fixings (NOT INCLUDED)



We suggest using M4*40mm flat head screws or screws of a similar size. Please ensure to use the appropriate wall fixing for your wall type. If in doubt, please seek professional advice.

