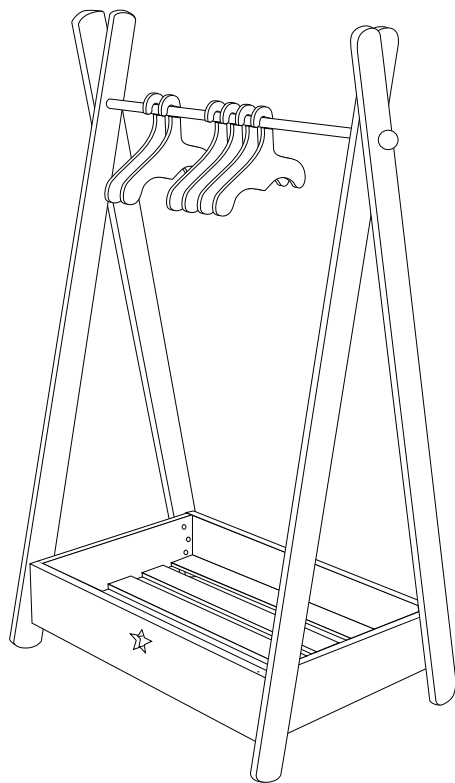




gltc.co.uk

Star Bright Dressing Up Rail



Assembly Difficulty



easy - medium - hard



one-person job

V3

24/05/2018

Thank you for shopping with GLTC, we hope you enjoy having this product in your home.

We know assembling furniture, toys or accessories is not everyone's favourite way to spend their time, so we've tried to make assembling this item as quick and painless as possible.

Hopefully our efforts will have been worthwhile and you'll sail through the whole process. But if it all feels a bit too much like hard work, then we do have an assembly company we can recommend: the Flatpack Construction Company offers a nationwide service and can be contacted on **0843 289 4951** or **www.flatpackconstruction.co.uk**.

Good luck!

A few important pointers before you start:

- It might be worth checking on our website that there are no updates or revisions to these instructions (if we have had helpful feedback from other customers we pass it on via the product web page). Simply check the date and version number on the front of this leaflet against that of any site updates.
- Please read the instructions right through before you start, and check that all the components have been included in the pack; we find separating all the hardware into piles makes it easier to be sure that everything is present and correct.
- Make sure you have the right tools. Allen keys are provided if required, but screw drivers and other tools are not. You'll find details of the tools you need at the beginning of the instructions.
- It's a good idea to build the unit in the room where you are going to be using it, to avoid the need to move it after it's been assembled.
- Do not throw away any packing materials until assembly is complete, just in case you accidentally discard smaller parts or hardware.

Safety Warnings:

- CAUTION! Adult assembly required.
- In an unassembled state product contains small parts which may pose a choking hazard, not suitable for children under 3 years.
- Assembly to be carried out by a competent adult only. During assembly children should be kept away from the product due to possible risk of injury. Do not use this item if any components are missing or damaged.
- Regularly check all fixtures and fittings to ensure that they properly tightened and tighten as necessary.
- DO NOT use power tools in the assembly of this product as there is a risk of over-tightening and consequently splitting of the wood.
- Assemble and use on a flat and level surface.
- Maximum weight load 20kg (rail) and 15kg (base tray). Do not overload.
- Please retain these instructions for future reference.

Customer Service:

- If you find that any components are missing or damaged, please do not begin assembly and do not use the item. Please contact GLTC Customer Services on **0344 848 6000** immediately.
- We do stock spare hardware packs at our warehouse, so we should be able to send you a replacement pack immediately if required.

Product Care:

- Wipe clean using a soft damp cloth followed by a dry cloth.
- Do NOT use cleaning products which contain ammonia, solvents or abrasive material.
- Do NOT expose the item to extremes of heat and humidity.

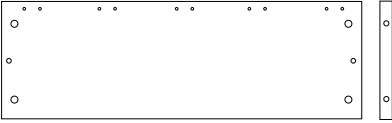


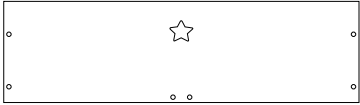


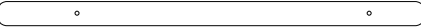

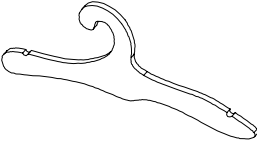
Could we do better?





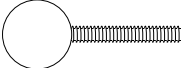

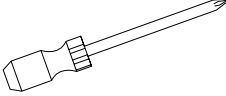
If there is anything you think could be improved in these instructions or in the assembly of this product we'd be grateful if you could let us know; we'll pass any helpful hints and tips on to other customers via our website and update the instructions.

All you need to do is drop us a line at **instructions@gltc.co.uk**

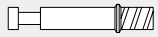
Thank you

Component Check List

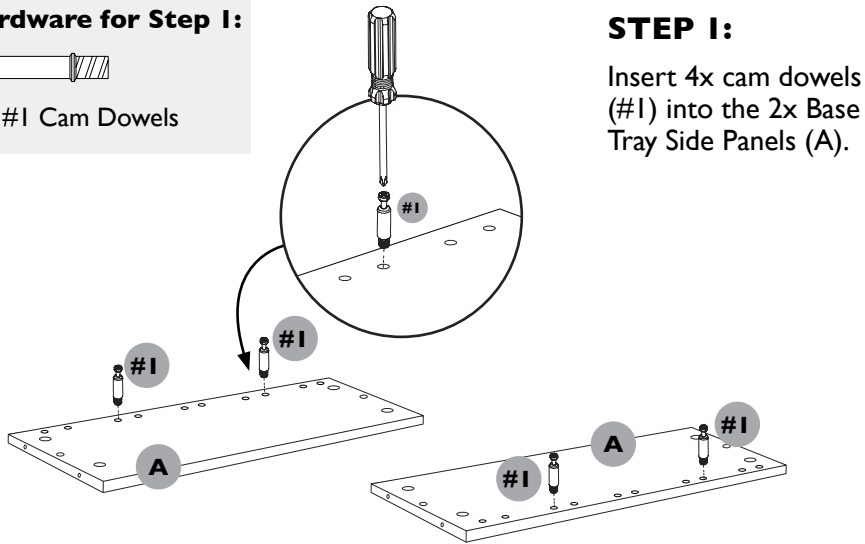
<p>A</p>  <p>2x Base Tray Side Panels</p>	<p>B</p>  <p>2x Base Tray Slats</p>
<p>C</p>  <p>3x Base Tray Slats</p>	<p>D</p>  <p>2x Base Tray Front and Back Panels</p>
<p>E</p>  <p>1x Base Tray Central Support</p>	<p>F</p>  <p>2x Side Panels</p>
<p>G</p>  <p>2x Side Panels</p>	<p>H</p>  <p>1x Rail</p>
<p>I</p>  <p>6x Coat Hangers</p>	

<p>#1</p>  <p>14x Cam Dowels 35mmL</p>	<p>#2</p>  <p>14x Cam Locks 14mm diameter</p>
<p>#3</p>  <p>18x Wooden dowels 25mmL</p>	<p>#4</p>  <p>4x Bolts 28mmL</p>
<p>#5</p>  <p>2x Ball Fittings</p>	<p>#6</p>  <p>1x Allen Key</p>
<p>You will need (not supplied)</p>  <p>Phillips Head Screwdriver</p>	

Hardware for Step 1:



4x #1 Cam Dowels



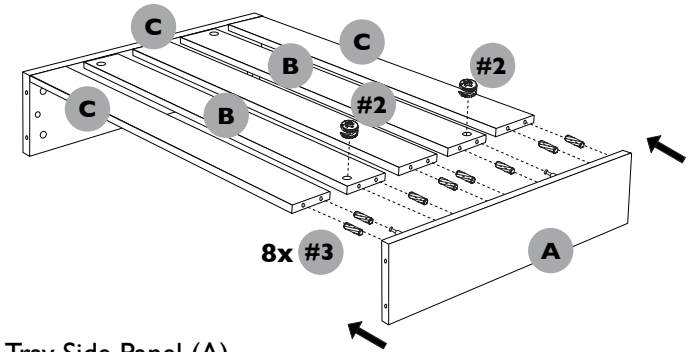
Hardware for Step 3:



2x #2 Cam Locks



8x #3 Wooden Dowels



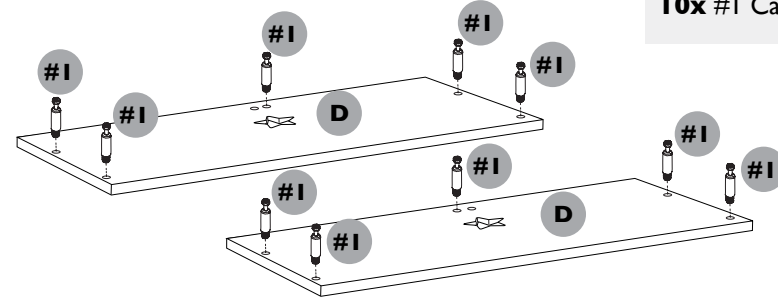
STEP 4:

Insert the 10x cam dowels to the 2x Base Tray Front and Back Panel (D).

Hardware for Step 4:



10x #1 Cam Dowels



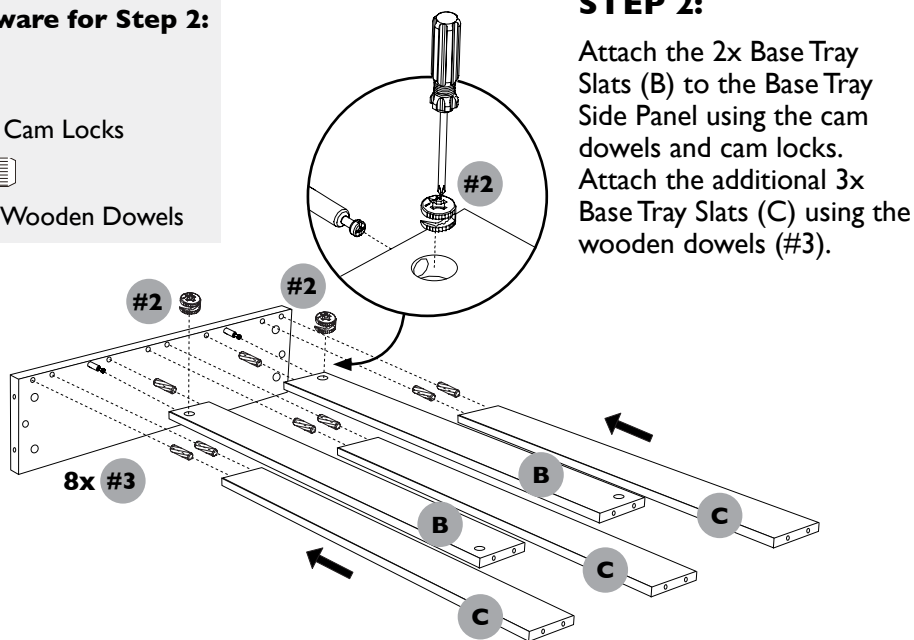
Hardware for Step 2:



2x #2 Cam Locks



8x #3 Wooden Dowels



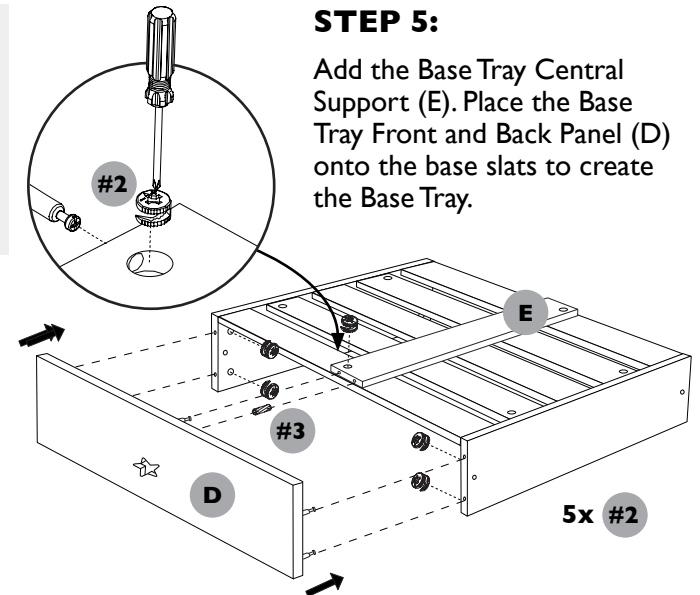
Hardware for Step 5:



5x #2 Cam lock



1x #3 Wooden dowel



Hardware for Step 6:



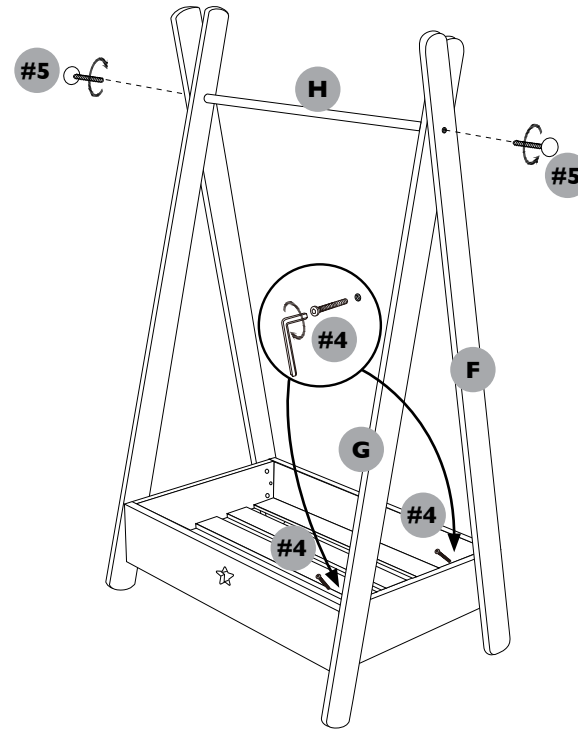
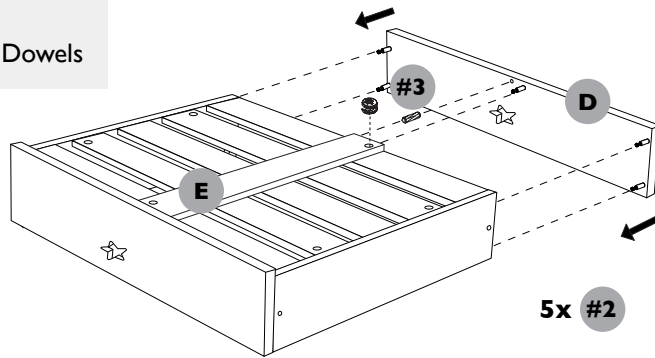
5x #2 Cam Locks



1x #3 Wooden Dowels

STEP 6:

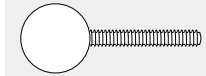
Repeat for the second panel.



Hardware for Step 8:



2x #4 28mmL Bolts



2x #5 Ball fittings

STEP 8:

Place the Rail (H) between the two sides and attach using the 2x Ball Fittings (#5).

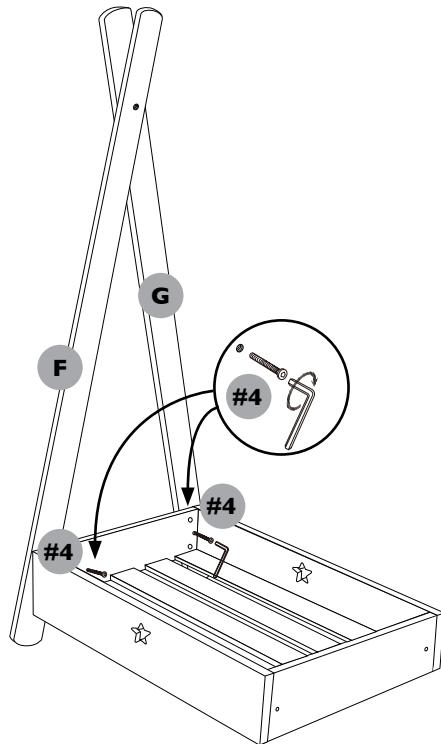
Hardware for Step 7:



2x #4 28mmL Bolts

STEP 7:

Take 1x side panel (F) and 1x side panel (G) and attach to the assembled Base Tray. Repeat for the other side.



STEP 9:

Add the hangers (I) and your Dressing Up Rail is complete.

