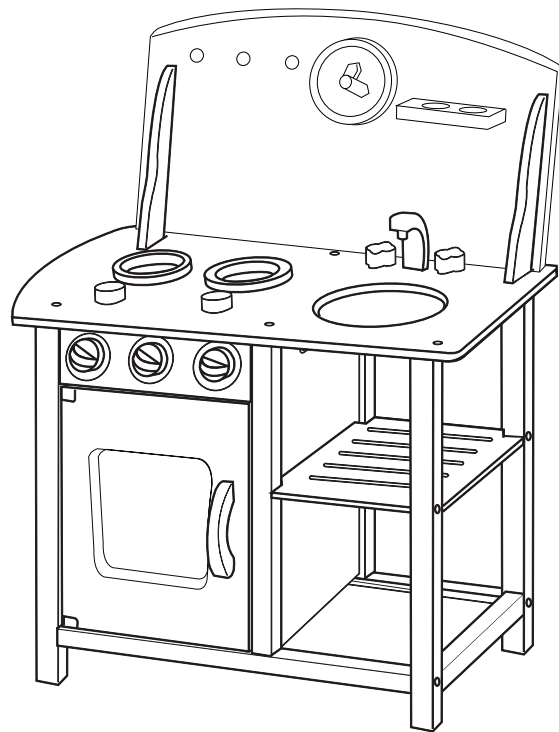




gltc.co.uk

Daisy Kitchen L4457



Assembly Difficulty



easy - medium - hard



one-person job

VI

26/02/2018

Thank you for shopping with GLTC, we hope you enjoy having this product in your home.

We know assembling furniture, toys or accessories is not everyone's favourite way to spend their time, so we've tried to make assembling this item as quick and painless as possible.

Hopefully our efforts will have been worthwhile and you'll sail through the whole process. But if it all feels a bit too much like hard work, then we do have an assembly company we can recommend: the Flatpack Construction Company offers a nationwide service and can be contacted on **0843 289 4951** or **www.flatpackconstruction.co.uk**.

A few important pointers before you start:

- Please read the instructions right through before you start, and check that all the components have been included in the pack; we find separating all the hardware into piles makes it easier to be sure that everything is present and correct.
- Make sure you have the right tools. Allen keys are provided if required, but screw drivers and other tools are not. You'll find details of the tools you need at the beginning of the instructions.
- Do not throw away any packing materials until assembly is complete, just in case you accidentally discard smaller parts or hardware.

Safety Warnings:

- Adult assembly required.
- Assemble and use on a flat and level surface.
- Unassembled product contains small parts which may present a choking hazard.
- Children should be kept away from the product during assembly to avoid any possible risk of injury.
- DO NOT use power tools in the assembly of this product as there is a risk of over-tightening and consequently splitting of the wood.
- Not suitable for children under 3 years due to small parts that may become detached and present a choking hazard.
- Check all fixtures and fittings regularly and tighten as necessary.
- Check the item regularly for signs of damage which may make the product unsafe.
- Please retain these instructions for future reference.

Customer Service:

- If you find that any components are missing or damaged, please do not begin assembly and do not use the item. Please contact GLTC Customer Services on **0344 848 6000** immediately.
- We do stock spare hardware packs at our warehouse, so we should be able to send you a replacement pack immediately if required.

Product Care:

- Wipe clean using a soft damp cloth followed by a dry cloth.
- Do NOT use cleaning products which contain ammonia, solvents or abrasive material.
- Do NOT expose the item to extremes of heat and humidity.

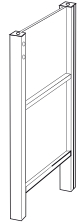
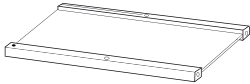
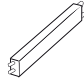
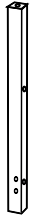

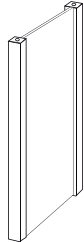
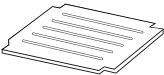

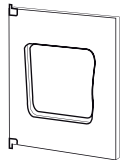


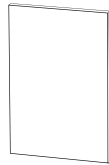
Could we do better?


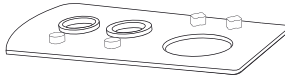

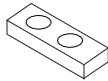

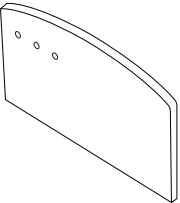





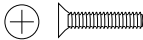




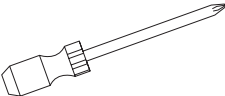
If there is anything you think could be improved in these instructions or in the assembly of this product we'd be grateful if you could let us know; we'll pass any helpful hints and tips on to other customers via our website and update the instructions.

All you need to do is drop us a line at [**instructions@gltc.co.uk**](mailto:instructions@gltc.co.uk)

Thank you

Component Check List

<p>A</p>  <p>1x Left side panel</p>	<p>B</p>  <p>1x Base shelf</p>	<p>C</p>  <p>1x Base bar</p>
<p>D</p>  <p>1x Back right leg</p>	<p>E</p>  <p>1x Front right leg</p>	<p>F</p>  <p>1x Centre panel</p>
<p>G</p>  <p>1x shelf</p>	<p>H</p>  <p>1x control Panel</p>	<p>I</p>  <p>1x oven door</p>
<p>J</p>  <p>1x oven handle</p>	<p>K</p>  <p>1x oven Shelf</p>	<p>L</p>  <p>1x oven back panel</p>

<p>M</p>  <p>1x tap</p>	<p>N</p>  <p>1x worktop</p>	<p>O</p>  <p>1x clock</p>
<p>P</p>  <p>1x shaker shelf</p>	<p>Q</p>  <p>2x side wings</p>	<p>R</p>  <p>1x backboard</p>
<p>S</p> 	<p>T</p> 	<p>U</p> 
<p>V</p>  <p>1x set of shakers</p>	<p>W</p>  <p>1x Sink</p>	
<p>#1</p>  <p>18x Screws 22mmL</p>	<p>#2</p>  <p>6x Bolts 44mmL</p>	<p>#3</p>  <p>6x Bolts 20mmL</p>
<p>#4</p>  <p>2x Screws 15mmL</p>	<p>#5</p>  <p>1x Allen Key</p>	<p>You will need (not supplied)</p>  <p>Phillips Head Screwdriver</p>

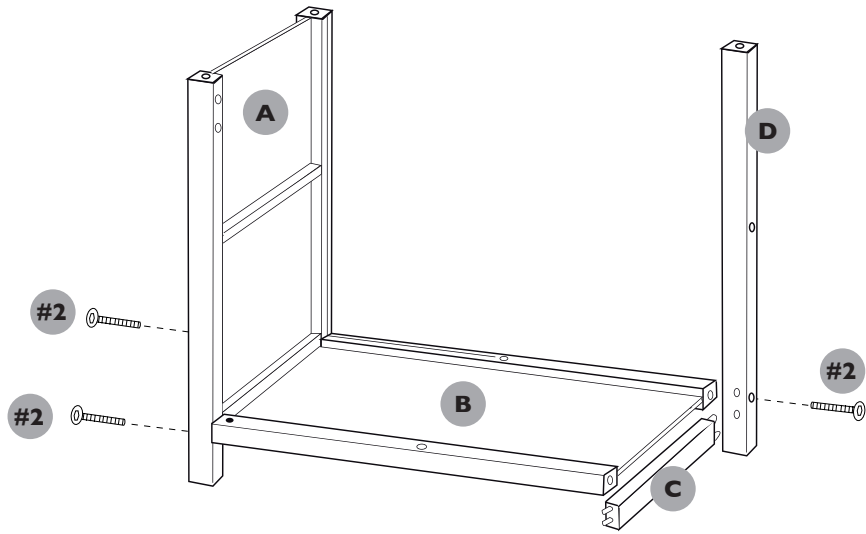
Hardware for Step 1:



3x #2 44mmL bolts

STEP 1:

Attach left side panel (A) and back right leg (D) to base shelf (B) using 3x bolts (#2). Attach bottom bar (C) as shown.



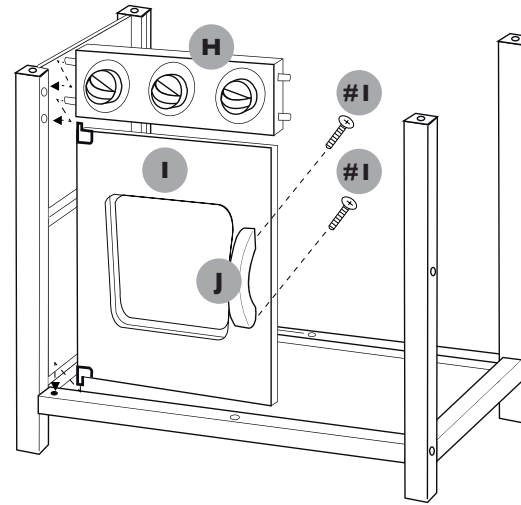
STEP 3:

Hardware for Step 3:



2x #1 22mmL screws

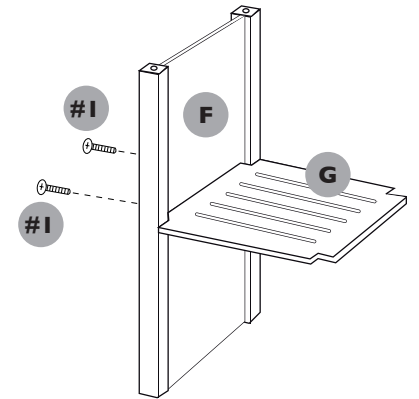
Attach oven door (I) and control panel (H). Attach the oven handle (J) with 2x screws (#1)



Hardware for Step 4:



2x #1 22mmL screws



STEP 4:

Attach shelf (G) to centre panel (F) using 2x screws (#1).

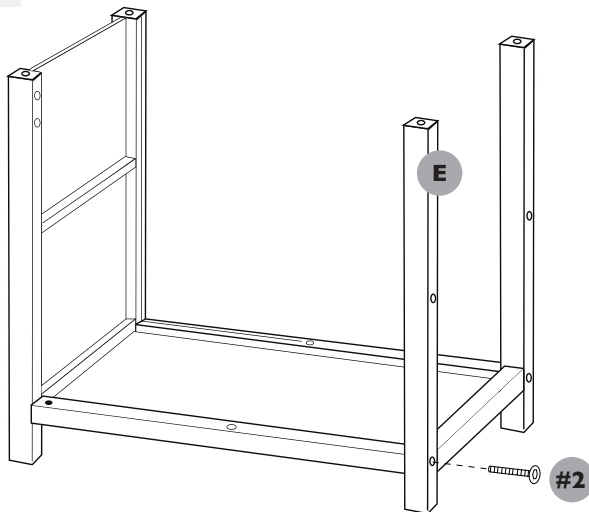
Hardware for Step 2:



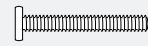
1x #2 44mmL bolt

STEP 2:

Attach front right leg (E) using 1x bolt (#2).



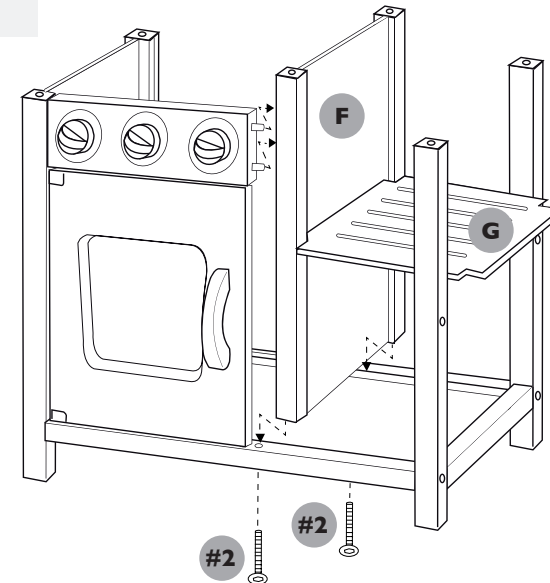
Hardware for Step 5:



2x #2 44mmL bolts

STEP 5:

Insert assembled centre panel and shelf. Attach using 2x bolts (#2).



Hardware for Step 6:

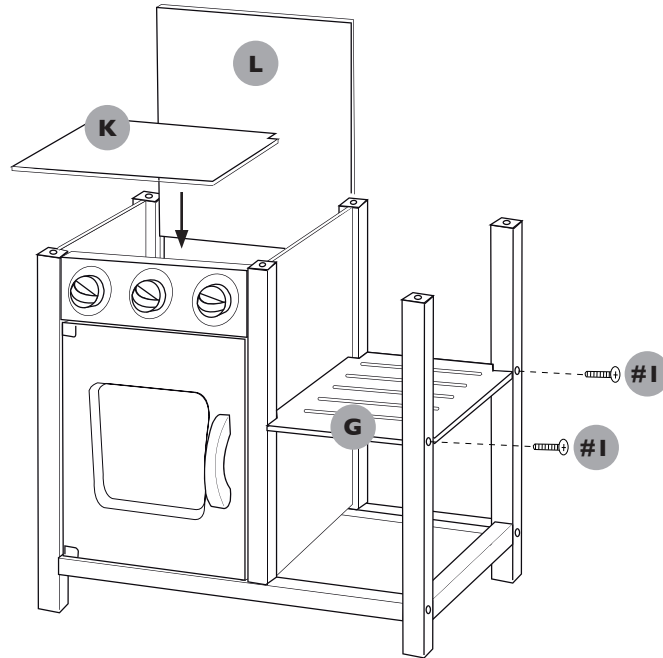


2x #1 22mmL screws

STEP 6:

Screw the shelf (G) in place using 2x screws (#1).

Insert the oven back panel (L) and oven shelf (K).



Hardware for Step 8:

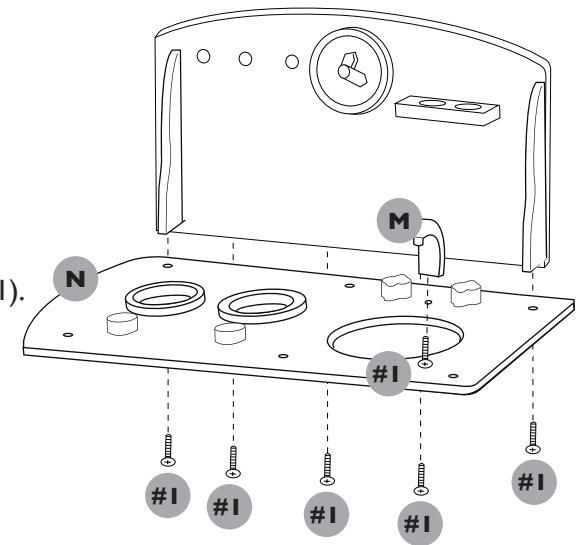


6x #1 22mmL screws

STEP 8:

Attach the tap (M) to the worktop (N) using 1x screw (#1).

Attach back panel to worktop using 5x screws (#1).



Hardware for Step 7:



6x #1 22mmL screws

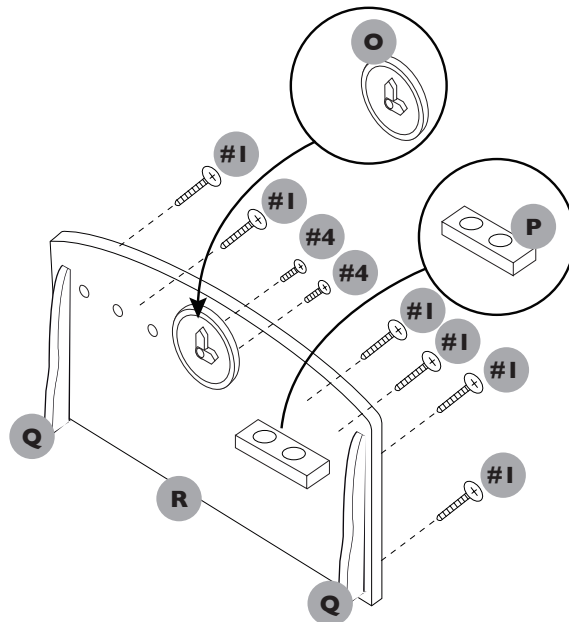


2x #4 15mmL screws

STEP 7:

Attach side wings (Q), and shaker shelf (P) to backboard (R) using 6x screws (#1).

Attach the clock (O) using 2x screws (#4).



Hardware for Step 9:



6x #3 20mmL bolts

STEP 9:

Attach the assembled top section to the base using 6x bolts (#3).

