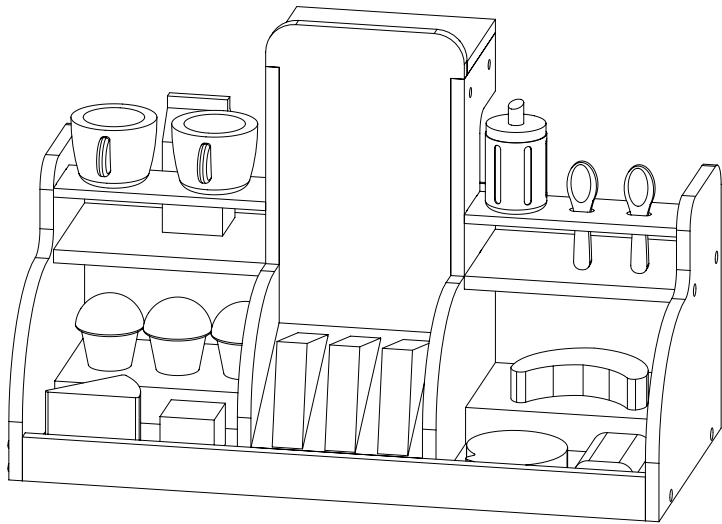




gltc.co.uk

## Starbeans Coffee Shop L4447



**Thank you for shopping with GLTC, we hope you enjoy having this product in your home.**

We know assembling furniture, toys or accessories is not everyone's favourite way to spend their time, so we've tried to make assembling this item as quick and painless as possible.

Hopefully our efforts will have been worthwhile and you'll sail through the whole process. But if it all feels a bit too much like hard work, then we do have an assembly company we can recommend: the Flatpack Construction Company offers a nationwide service and can be contacted on **0843 289 4951** or **www.flatpackconstruction.co.uk**.

### **A few important pointers before you start:**

- Please read the instructions right through before you start, and check that all the components have been included in the pack; we find separating all the hardware into piles makes it easier to be sure that everything is present and correct.
- Make sure you have the right tools. Allen keys are provided if required, but screw drivers and other tools are not. You'll find details of the tools you need at the beginning of the instructions.
- Do not throw away any packing materials until assembly is complete, just in case you accidentally discard smaller parts or hardware.

Assembly Difficulty



easy - medium - hard



one-person job



16/03/2018

### **Safety Warnings:**

- Please read these instructions carefully before assembly.
- Adult assembly required.
- Unassembled product contains small parts which may present a choking hazard.
- Not suitable for children under 3 years due to small parts that may become detached and present a choking hazard.
- Children should be kept away from the product during assembly to avoid any possible risk of injury.
- Assemble and use on a flat and level surface.
- **DO NOT** use power tools in the assembly of this product as there is a risk of over-tightening and consequently splitting of the wood.
- Check item regularly for signs of damage which may make the product unsafe.
- Check all fixtures and fittings regularly and tighten as necessary.
- Complies to the European Toy Safety Directive.
- **DO NOT** use this item if any components are missing or damaged.
- Please retain these instructions for future reference.

### **Customer Service:**

- If you find that any components are missing or damaged, please do not begin assembly and do not use the item. Please contact GLTC Customer Services on **0344 848 6000** immediately.
- We do stock spare hardware packs at our warehouse, so we should be able to send you a replacement pack immediately if required.

### **Product Care:**

- Wipe clean using a soft damp cloth followed by a dry cloth.
- Do **NOT** use cleaning products which contain ammonia, solvents or abrasive material.
- Do **NOT** expose the item to extremes of heat and humidity.

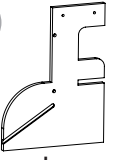
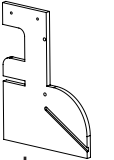
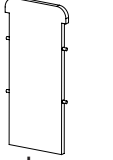
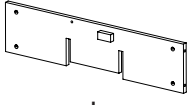
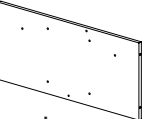
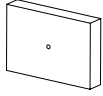
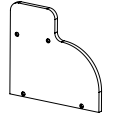
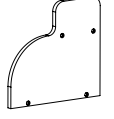
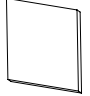
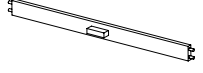
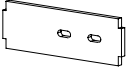

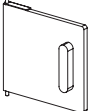
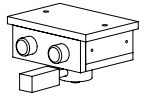


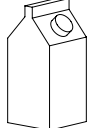

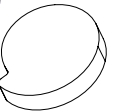
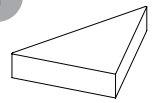
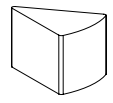

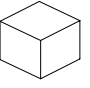
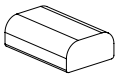
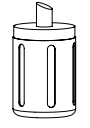
### **Could we do better?**






If there is anything you think could be improved in these instructions or in the assembly of this product we'd be grateful if you could let us know; we'll pass any helpful hints and tips on to other customers via our website and update the instructions.

All you need to do is drop us a line at [\*\*instructions@gltc.co.uk\*\*](mailto:instructions@gltc.co.uk)

Thank you

## Component Check List

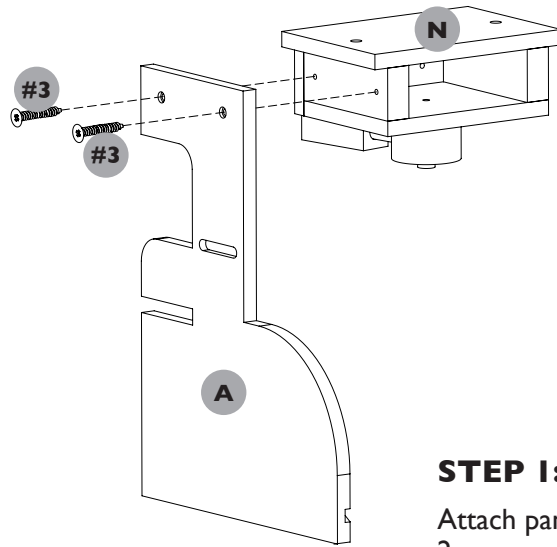
<b>A</b>  1x	<b>B</b>  1x	<b>C</b>  1x	<b>D</b>  1x
<b>E</b>  1x	<b>F</b>  2x	<b>G</b>  1x	<b>H</b>  1x
<b>I</b>  1x	<b>J</b>  1x	<b>K</b>  1x	<b>L</b>  1x
<b>M</b>  1x	<b>N</b>  1x		
<b>O</b>  2x	<b>P</b>  2x	<b>Q</b>  1x	<b>R</b>  1x
<b>S</b>  1x	<b>T</b>  3x	<b>U</b>  1x	<b>V</b>  3x
<b>W</b>  1x	<b>X</b>  1x	<b>Y</b>  1x	

<b>#1</b>  8x Barrel Nuts 7mm dia	<b>#2</b>  8x Barrel Nut Bolts 40mmL	<b>#3</b>  10x Medium Screws 19mmL	<b>#4</b>  1x Small Screws 12mmL
You will need (not supplied)  Phillips Head Screwdriver			

**Hardware for Step 1:**



**2x #3 19mmL screws**



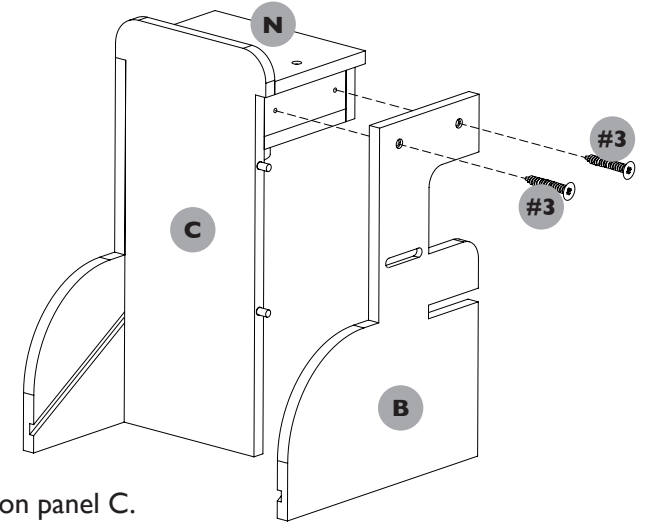
**STEP 1:**

Attach panel A to assembly N using 2x screws (#3).

**Hardware for Step 3:**

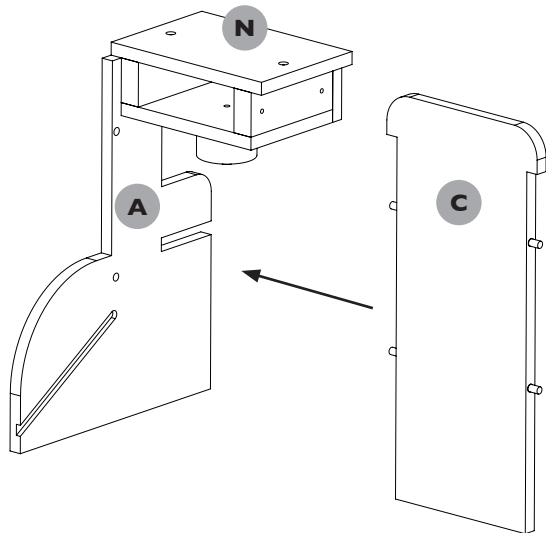


**2x #3 19mmL screws**



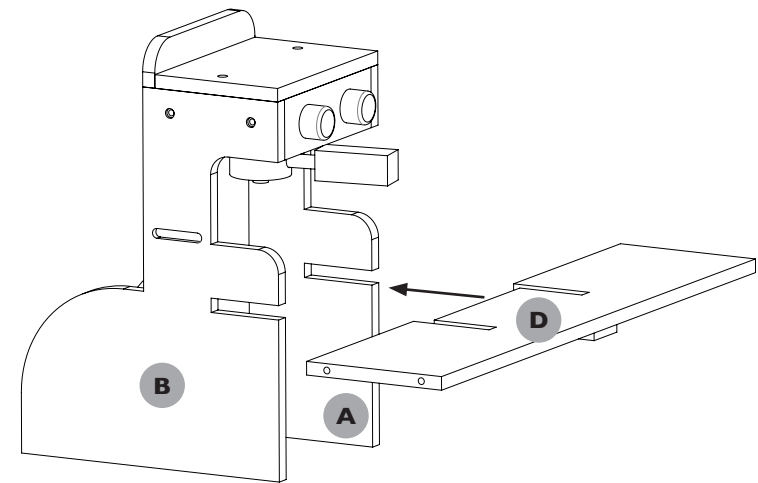
**STEP 3:**

Push panel B onto the dowels on panel C.  
Attach panel B to panel N using 2x screws (#3).



**STEP 2:**

Push the dowels on panel C into the holes on panel A to connect the panels together.



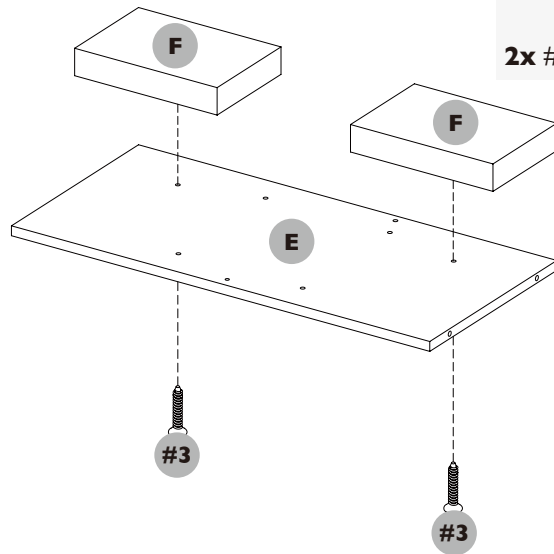
**STEP 4:**

Slide panel D into the grooves on panels A and B.

### Hardware for Step 5:



2x #3 19mmL screws



### STEP 5:

Attach 2x blocks (F) to panel E using 2x screws (#3).

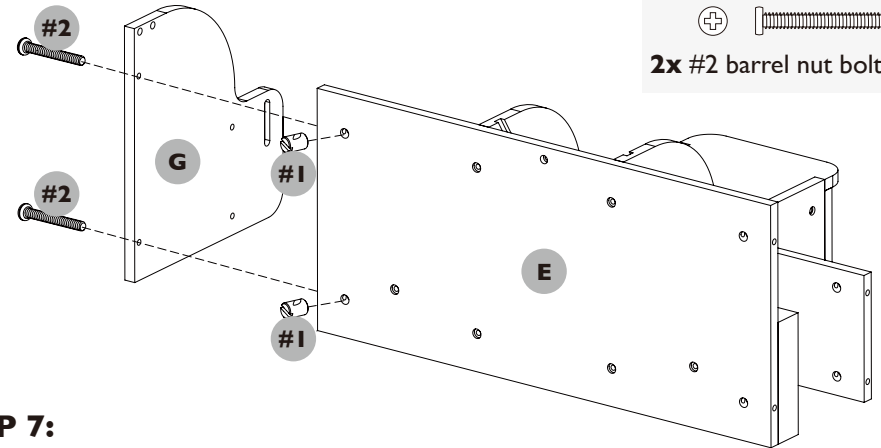
### Hardware for Step 7:



2x #1 barrel nuts



2x #2 barrel nut bolts



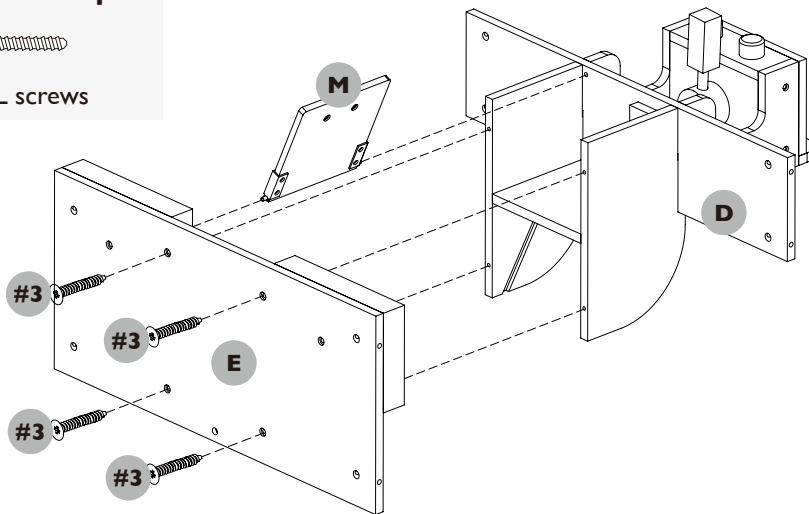
### STEP 7:

Attach panel G to panel E using 2x barrel nuts and bolts. Please do not fully tighten the barrel nut bolts, they need to be loosely tightened to complete step 11.

### Hardware for Step 6:

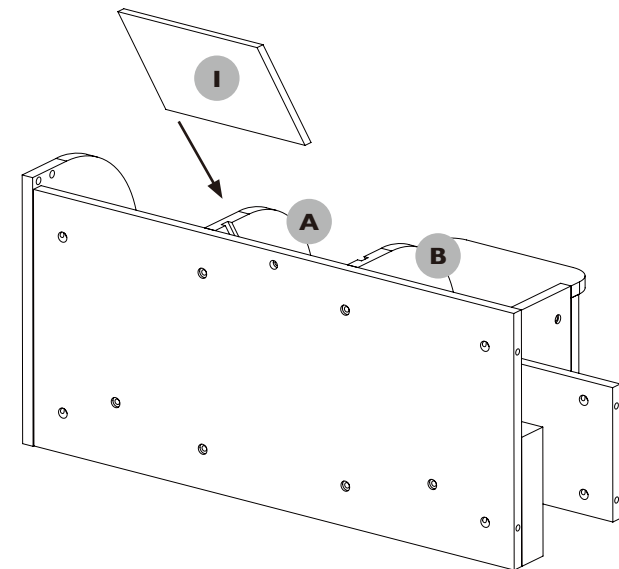


4x #3 19mmL screws



### STEP 6:

Attach panel E to the assembly from step 4 using 4x screws (#3). Whilst attaching panel E you will also need to attach the door (M), insert the door hinges into the holes on panel E and D.



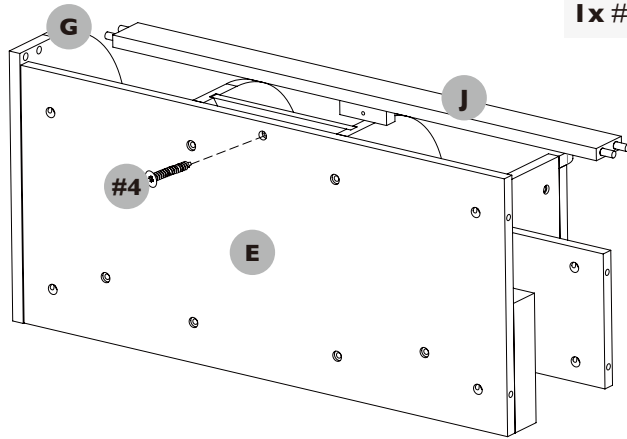
### STEP 8:

Slide panel I into the grooves on panels A and B.

### Hardware for Step 9:

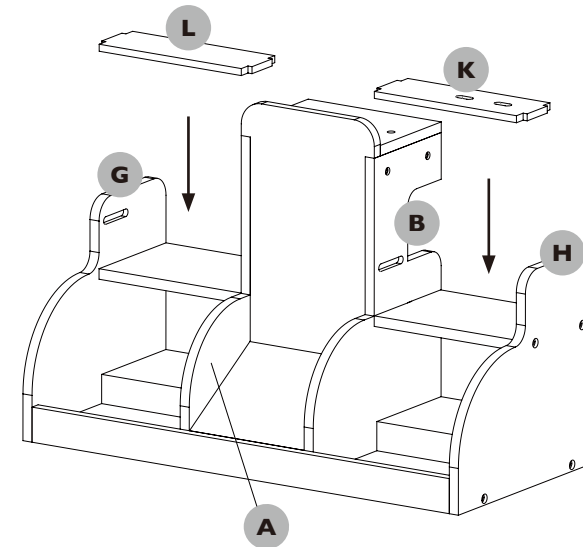


1x #4 12mmL screws



### STEP 9:

Attach panel J to panel E using 1x screw (#4). At the same time, slot the dowels on panel J into the holes on panel G.



### STEP 11:

Slot panel K into the grooves between panels H and B. Now slot panel L into the grooves between panels G and A.

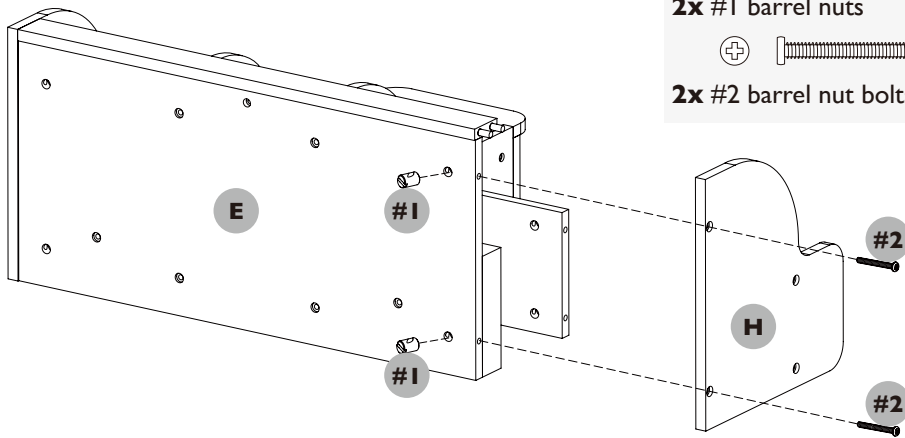
### Hardware for Step 10:



2x #1 barrel nuts



2x #2 barrel nut bolts



### STEP 10:

Attach panel H to panel E using 2x barrel nuts and bolts. Please do not fully tighten the barrel nut bolts, they need to be loosely tightened to complete step 11.

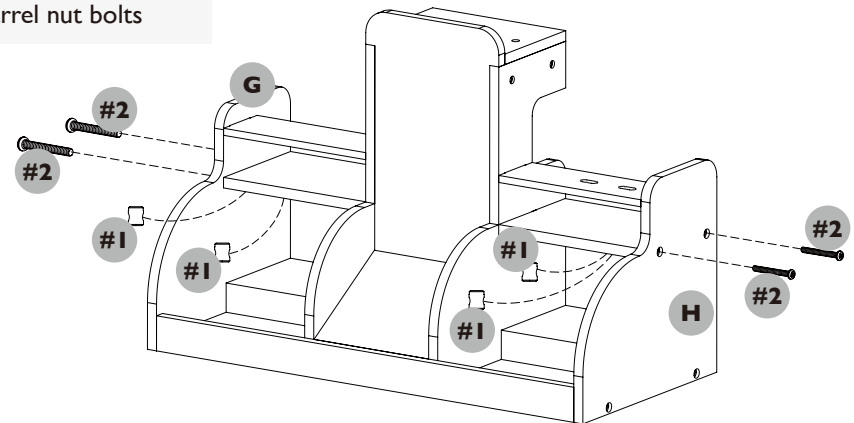
### Hardware for Step 12:



4x #1 barrel nuts



4x #2 barrel nut bolts



### STEP 12:

Secure panels G and H to panel D using 4x barrel nuts and bolts. Please also fully tighten the the barrel nut bolts from step 6 and 10.

The assembly is now complete.