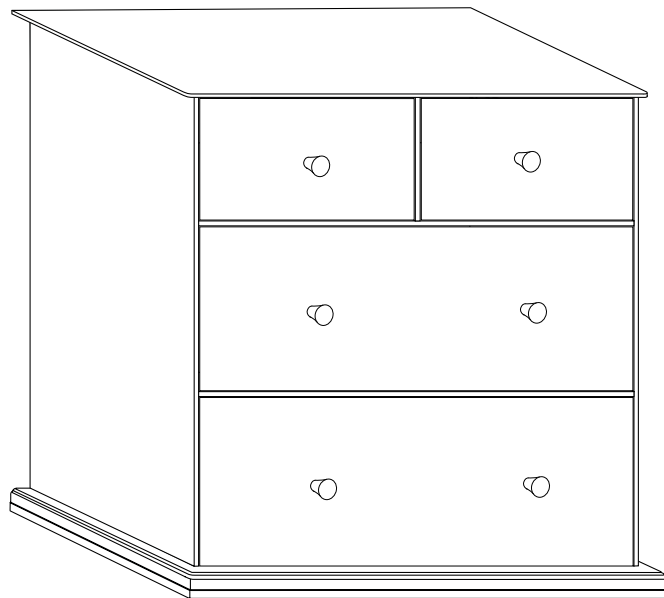




gltc.co.uk

## Sherwood Chest of Drawers



**Thank you for shopping with GLTC, we hope you enjoy having this product in your home.**

We know assembling furniture, toys or accessories is not everyone's favourite way to spend their time, so we've tried to make assembling this item as quick and painless as possible.

Hopefully our efforts will have been worthwhile and you'll sail through the whole process. But if it all feels a bit too much like hard work, then we do have an assembly company we can recommend: the Flatpack Construction Company offers a nationwide service and can be contacted on **0843 289 4951** or **www.flatpackconstruction.co.uk**.

### **A few important pointers before you start:**

- Please read the instructions right through before you start, and check that all the components have been included in the pack; we find separating all the hardware into piles makes it easier to be sure that everything is present and correct.
- Make sure you have the right tools. Allen keys are provided if required, but screw drivers and other tools are not. You'll find details of the tools you need at the beginning of the instructions.
- It's a good idea to build the unit in the room where you are going to be using it, to avoid the need to move it after it's been assembled.
- Do not throw away any packing materials until assembly is complete, just in case you accidentally discard smaller parts or hardware.

Assembly Difficulty



easy - medium - hard



two-person job

V2

27/06/2018

### **Safety Warnings:**

- Adult assembly required.
- Unassembled product contains small parts which may present a choking hazard.
- Children should be kept away from the product during assembly to avoid any possible risk of injury.
- Assemble and use on a flat and level surface.
- DO NOT use power tools in the assembly of this product as there is a risk of over-tightening and consequently splitting of the wood.
- To avoid possible injury from tipping, DO NOT allow children to climb on the product.
- Serious or fatal crushing injuries can occur from furniture tipping over. Ensure you secure this furniture product to the wall before you use it using the kit provided. If you have not received an anti-tip kit with your product please contact Customer Services.
- Check all fixtures and fittings regularly and tighten as necessary.
- Please retain these instructions for future reference.

### **Customer Service:**

- If you find that any components are missing or damaged, please do not begin assembly and do not use the item. Please contact GLTC Customer Services on **0344 848 6000** immediately.
- We do stock spare hardware packs at our warehouse, so we should be able to send you a replacement pack immediately if required.

### **Product Care:**

- Wipe clean using a soft damp cloth followed by a dry cloth.
- Do NOT use cleaning products which contain ammonia, solvents or abrasive material.
- Do NOT expose the item to extremes of heat and humidity.


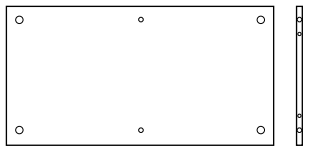
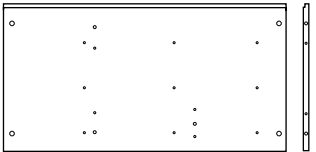

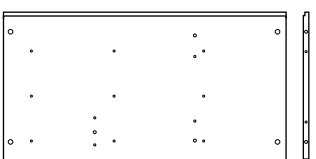
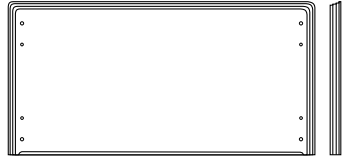
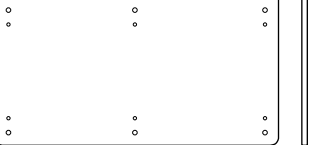
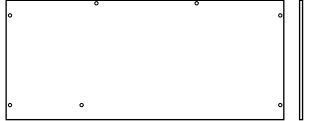
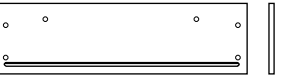

### **Could we do better?**

If there is anything you think could be improved in these instructions or in the assembly of this product we'd be grateful if you could let us know; we'll pass any helpful hints and tips on to other customers via our website and update the instructions.




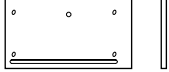
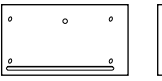


All you need to do is drop us a line at [\*\*instructions@gltc.co.uk\*\*](mailto:instructions@gltc.co.uk)

Thank you

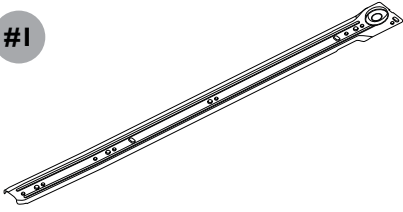

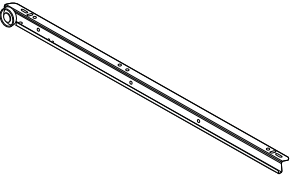
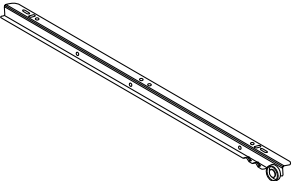
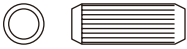





## Component Check List

<p><b>A</b></p>  <p>x1 Top Drawer Divider Panel</p>	<p><b>B</b></p>  <p>x1 Horizontal Divider Panel</p>
<p><b>C</b></p>  <p>x1 LH Side Panel</p>	<p><b>D</b></p>  <p>x1 Lower Drawer Divider</p>
<p><b>E</b></p>  <p>x1 RH Side Panel</p>	<p><b>F</b></p>  <p>x1 Base Plinth</p>
<p><b>G</b></p>  <p>x1 Top Panel</p>	<p><b>H</b></p>  <p>x2 Back Panels</p>
<p><b>I</b></p>  <p>x2 Large Drawer Fronts</p>	<p><b>J</b></p>  <p>x4 Drawer LH Sides</p>




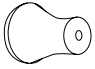

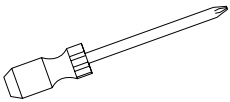
## Component Check List

<p><b>K</b></p>  <p>x4 Drawer RH Sides</p>	<p><b>L</b></p>  <p>x2 Large Drawer Backs</p>
<p><b>M</b></p>  <p>x2 Large Drawer Base Panels</p>	<p><b>N</b></p>  <p>x1 LH Small Drawer Front</p>
<p><b>O</b></p>  <p>x1 RH Small Drawer Front</p>	<p><b>P</b></p>  <p>x2 Small Drawer Base Panels</p>
<p><b>Q</b></p>  <p>x2 Small Drawer Back Panels</p>	

## Component Check List

<p><b>#1</b></p>  <p>x4 Flat Runner</p>	<p><b>#2</b></p>  <p>x4 Flat Runner</p>
<p><b>#3</b></p>  <p>x4 RH L-Shaped Runners</p>	<p><b>#4</b></p>  <p>x4 LH L-Shaped Runners</p>
<p><b>#5</b></p>  <p>x20 Wooden Dowels 20mm</p>	<p><b>#6</b></p>  <p>x18 Screws 25mm</p>
<p><b>#7</b></p>  <p>x28 Cam Dowels 35mm</p>	<p><b>#8</b></p>  <p>x28 Cam Locks 14mm</p>
<p><b>#9</b></p>  <p>x4 Barrel Nuts 10mm</p>	<p><b>#10</b></p>  <p>x4 Bolts 42mm</p>

## Component Check List

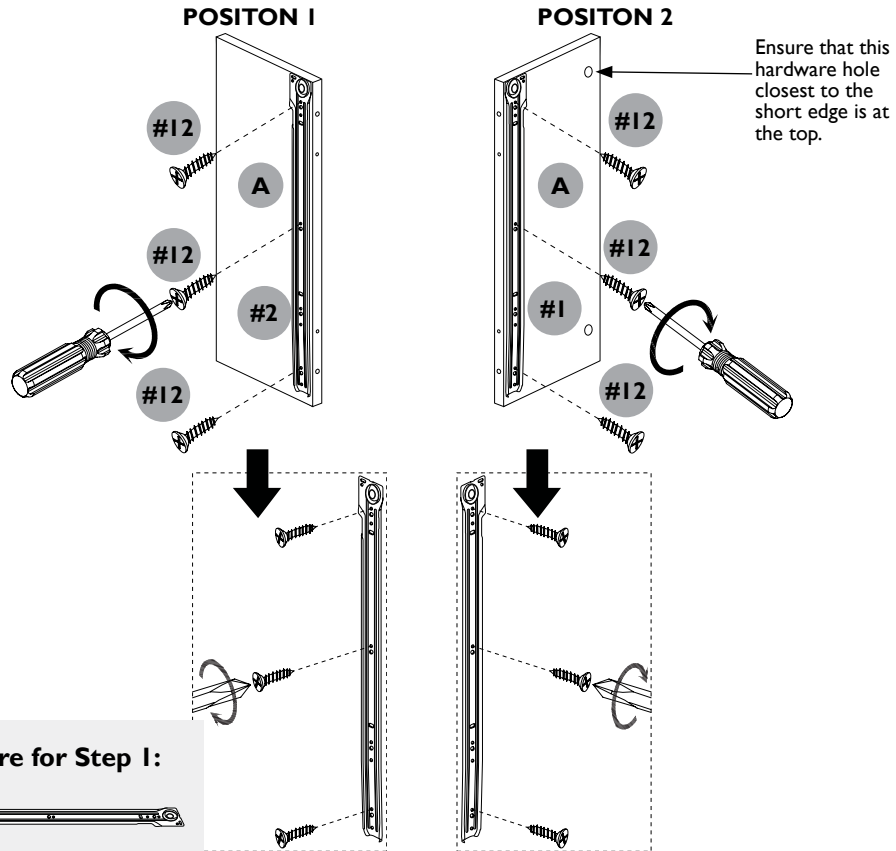
<p><b>#11</b></p>  <p>x12 Screws 16mm</p>	<p><b>#12</b></p>  <p>x48 Screws 12mm</p>
<p><b>#13</b></p>  <p>x6 Cross Head Bolts 24mm</p>	<p><b>#14</b></p>  <p>x6 Wooden Handles</p>
 <p>Allen Key</p>	<p>You will need (not supplied)</p>  <p>Phillips Head Screwdriver</p>

## STEP 1:

Locate panel (A) and attach flat runner (#2) as shown in position 1 with 3x screws (#12).

Flip panel (A) so that it is in position 2 and attach flat runner (#1) as shown with 3x screws (#12).

Please note: to ensure that the drawers pull out smoothly, ensure that the screws attaching the runners are fully secured and lie flat against the runner.



### Hardware for Step 1:



1x #1 Flat Runner



1x #2 Flat Runner

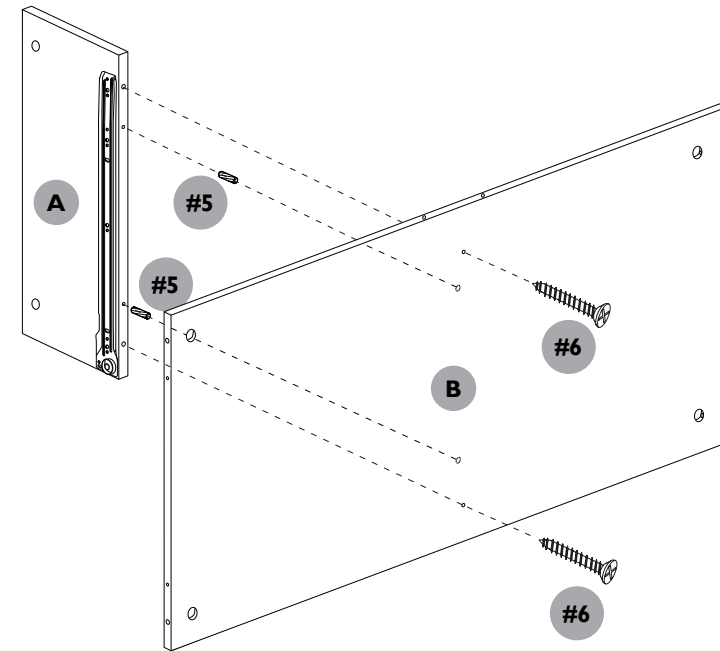


6x #12 Screws 12mm

## STEP 2:

Align horizontal divider panel (B) so that the countersunk holes in the middle are facing outwards and the 2x small pilot holes on the long thin edge are facing up.

Insert 2x wooden dowels (#5) into panel (A) and slot into panel (B) ensuring that the wheel of the runners are facing the floor and runner (#1) is on the left hand side as shown. Secure with 2x screws (#6).



### Hardware for Step 2:



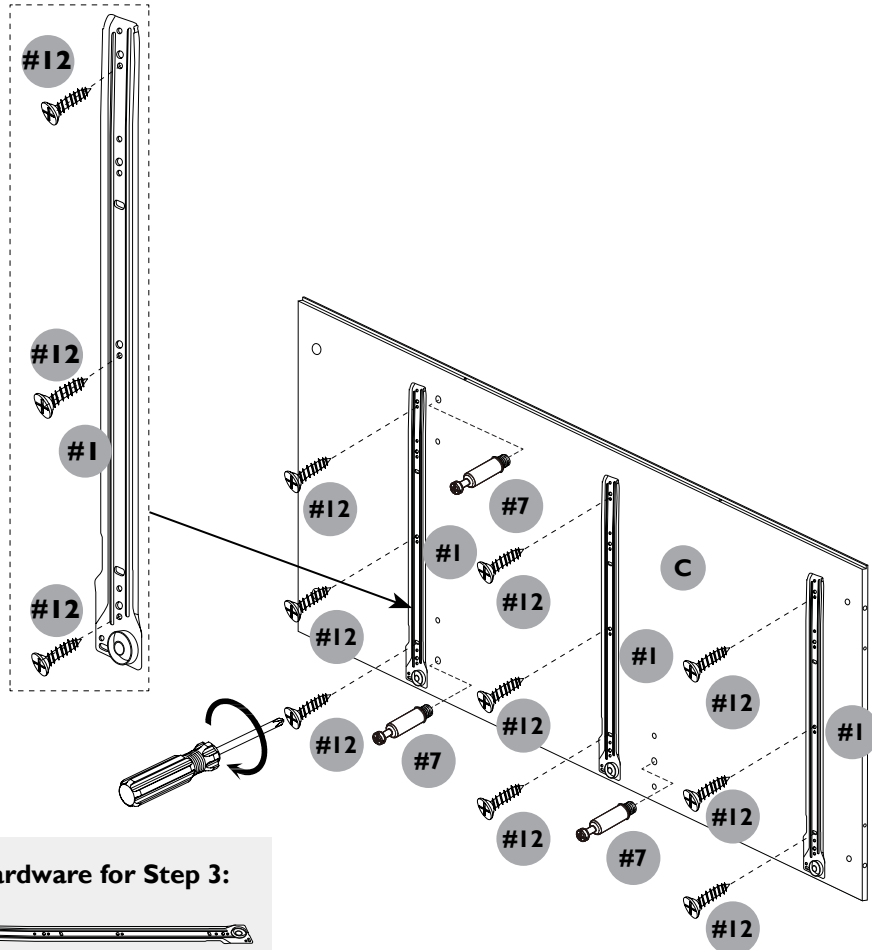
2x #5 Wooden Dowels



2x #6 Screws 25mm

### STEP 3:

Locate LH side panel (C) and attach 3x flat runner (#1) with 3x screws (#12) per runner. Once complete, insert 3x cam dowels (#7) where indicated.



#### Hardware for Step 3:



3x #1 Flat Runners



3x #7 Cam Dowels

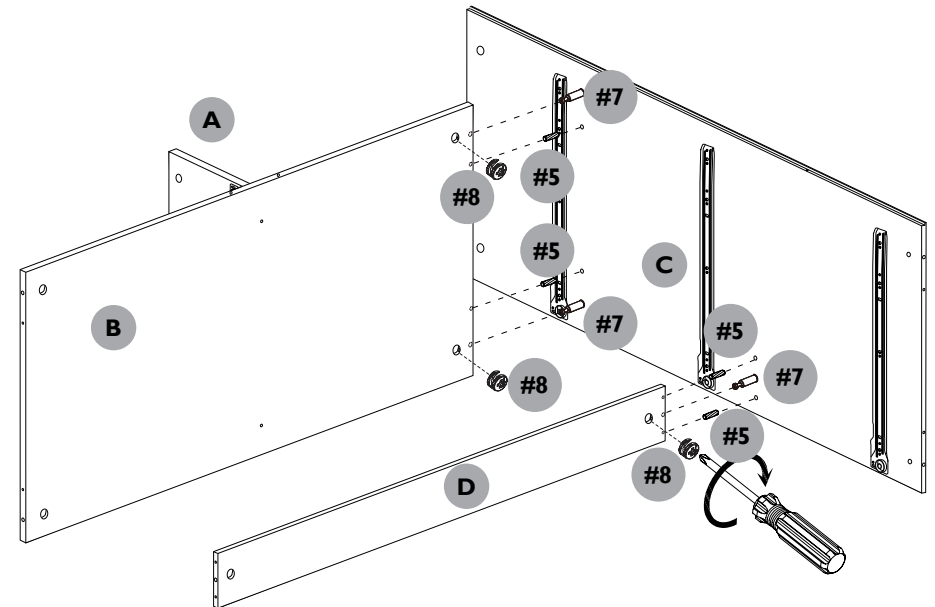


9x #12 Screws 12mm

### STEP 4:

Insert 4x wooden dowels (#5) into side panel (C) where indicated. Align side panel (C) to the right hand side of divider panel (B). Ensure that the ledged side is facing upwards and that the wheels of the runners are to the floor.

Slot side panel (C) into divider panel (B) and locate panel (D) slotting this in at the lower point. Secure these panels to side panel (C) with 3x cam locks (#8).



#### Hardware for Step 4:



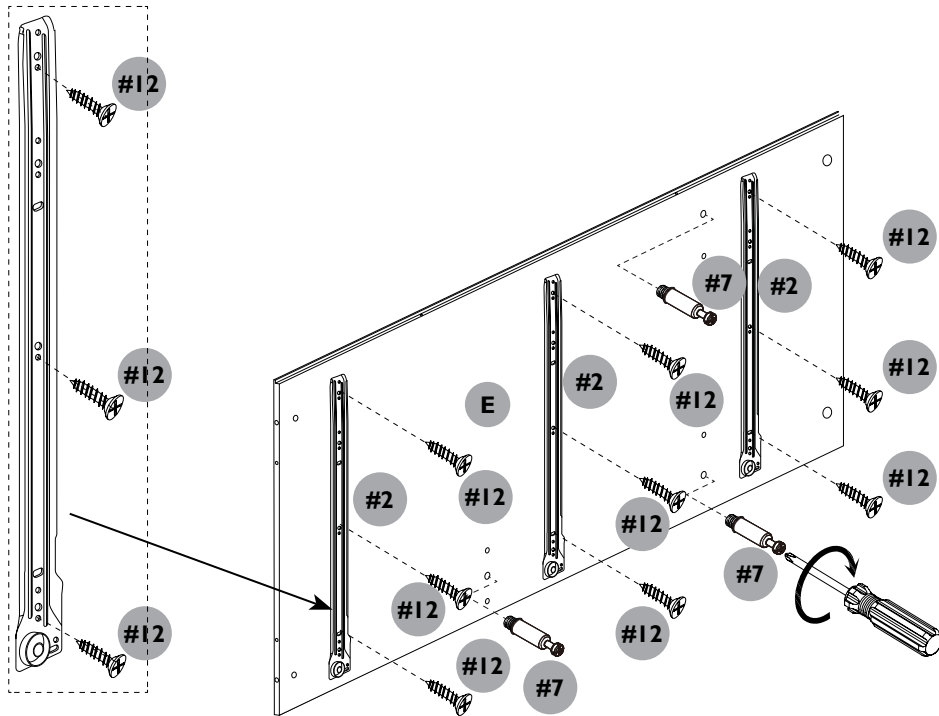
4x #5 Wooden Dowels



3x #8 Cam Locks

### STEP 5:

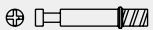
Locate the second side panel (E) and affix 3x flat runners (#2) with 3x screws (#12) per runner. Then insert 3x cam dowels (#7) where indicated.



#### Hardware for Step 5:



3x #2 Flat Runners



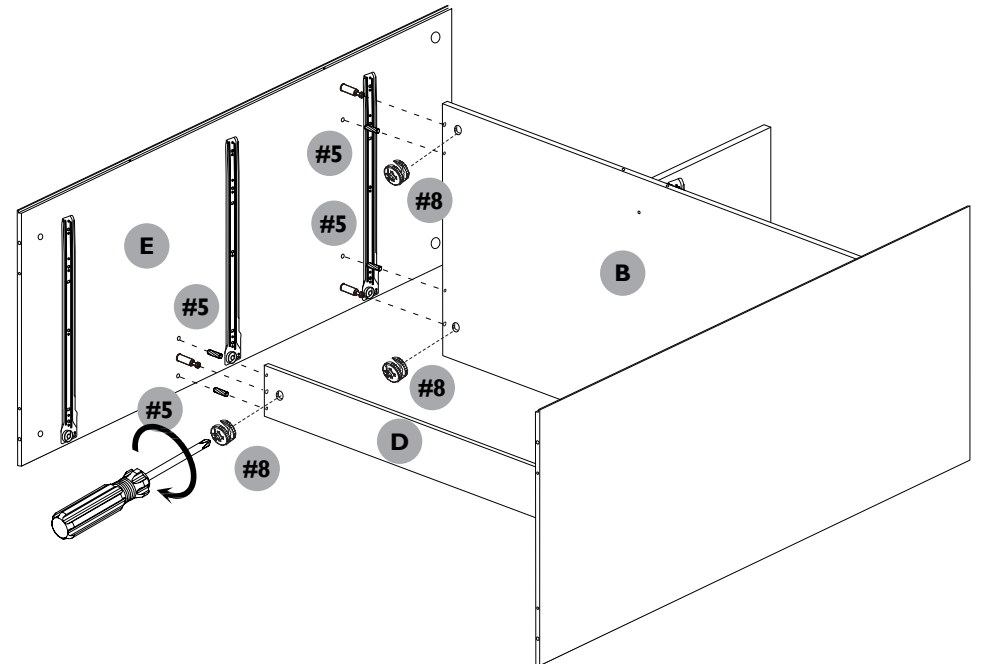
3x #7 Cam Dowels



9x #12 Screws 12mm

### STEP 6:

Secure the second side panel (E) by inserting 4x wooden dowels (#5) where indicated and slotting into panels B and D ensuring the ledged side is facing up. Secure the frame with 3x cam locks (#8).



#### Hardware for Step 6 :



4x #5 Wooden Dowels

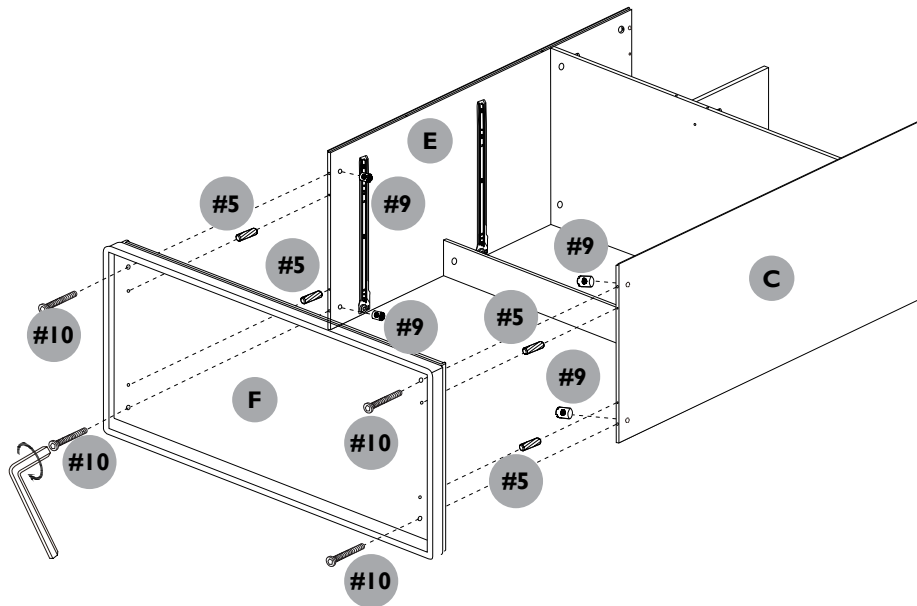


3x #8 Cam Locks

## STEP 7:

Please note: two people required for this step.

Insert 4x barrel nuts (#9) and 4x wooden dowels (#5) into the ends of panels (E) and (C) and with the help of the second person slot base plinth (F) in position to the bottom of panels (E) and (C). Ensure that the rounded corners are facing the floor and the ledged side facing upwards. Secure the base panel to the unit with 4x bolts (#10) fastening with an allen key.



### Hardware for Step 7:



4x #9 Barrel Nuts



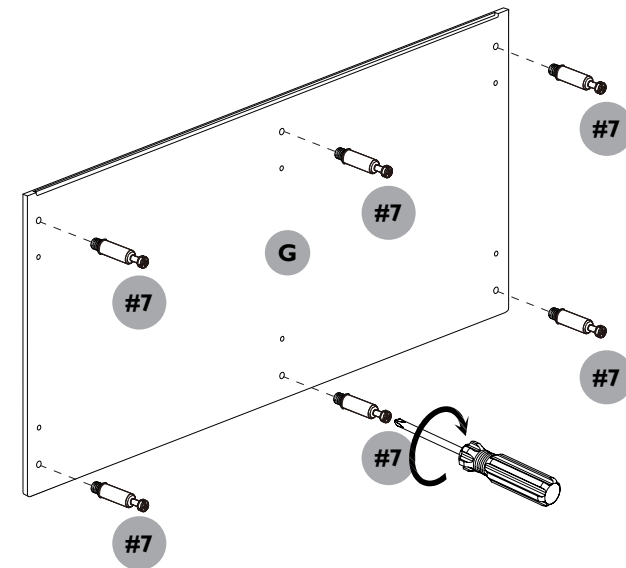
4x #5 Wooden Dowels



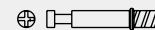
4x #10 Bolts 42mm

## STEP 8:

Locate top panel (G) and insert 6x cam dowels (#7).



### Hardware for Step 8:

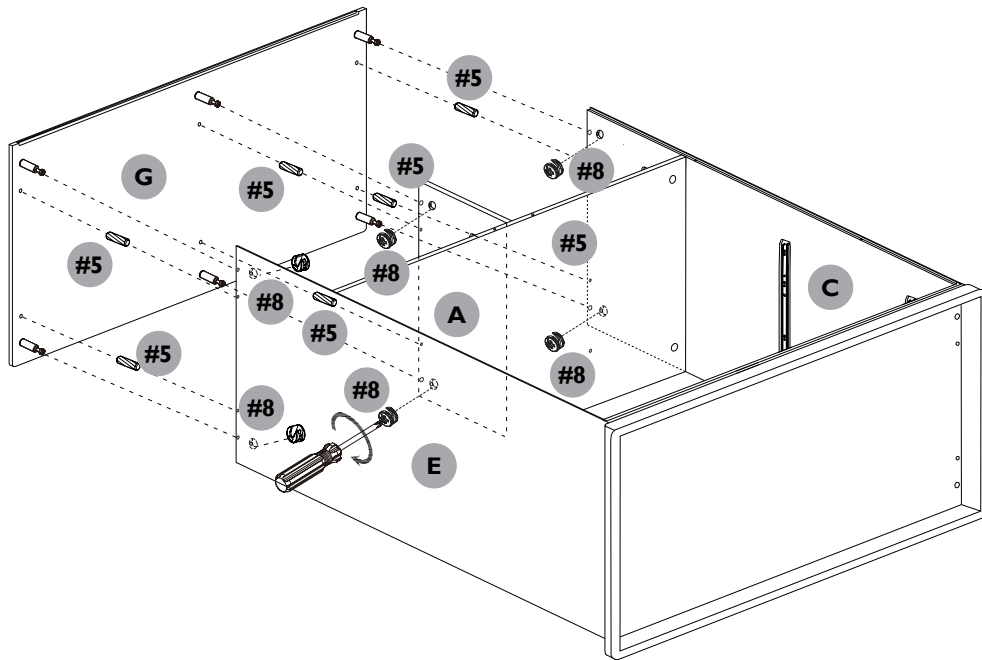


6x #7 Cam Dowels



### STEP 9:

Insert 6x wooden dowels (#5) to the top panel (G) and slot into the unit ensuring that the ledged side is facing up. Secure this panel with 6x cam locks (#8).



#### Hardware for Step 9 :



6x #5 Wooden Dowels

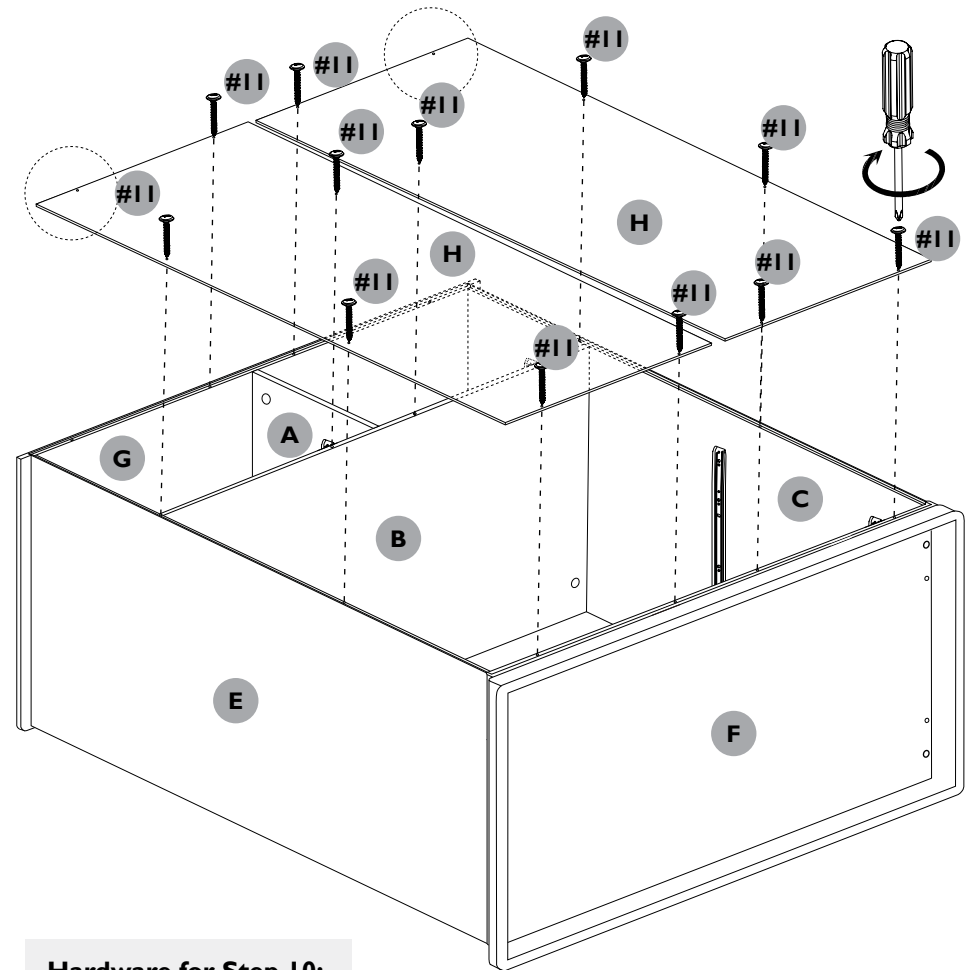


6x #8 Cam Locks

### STEP 10:

Locate 2x back panels (H) and place within the ledged shelf of the unit ensuring that the pilot holes on panels (H) line up with the pilot holes in the unit. Once in place secure with 12x screws (#11) where indicated.

Please note that the holes on the top corners need to be left to attach the anti tip kit to secure the unit to the wall (see separate instructions included in pack).



#### Hardware for Step 10:



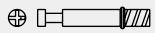
12x #11 Screws 16mm

## STEP 11:

Prepare the drawers by inserting 4x cam dowels (#7) to large drawer front (I) and affixing the x2 wooden handles (#14) with x2 cross head bolts (#13).

Repeat this for the second front drawer panel (I).

### Hardware for Step 11:



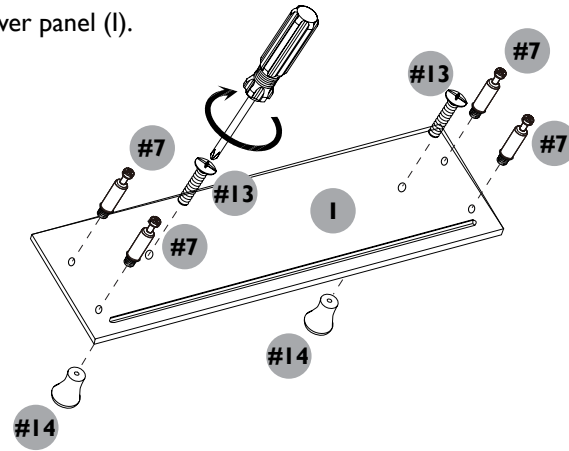
8x #7 Cam Dowels



4x #14 Wooden Handles

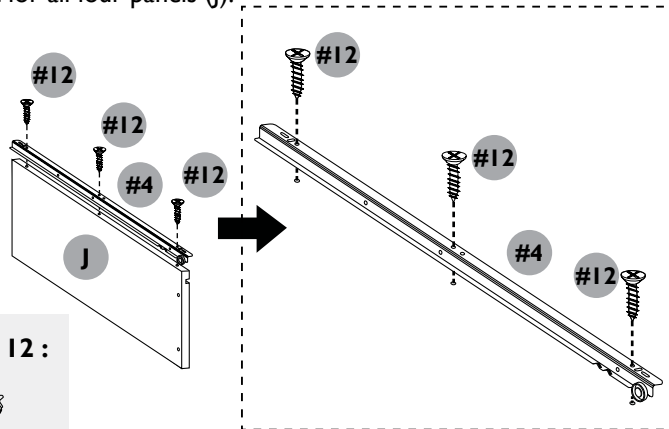


4x #13 Cross Head Bolts

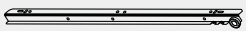


## STEP 12:

Locate 4x LH drawer side panels (J) and secure runner (#4) with 3x screws (#12) where indicated. Repeat for all four panels (J).



### Hardware for Step 12:



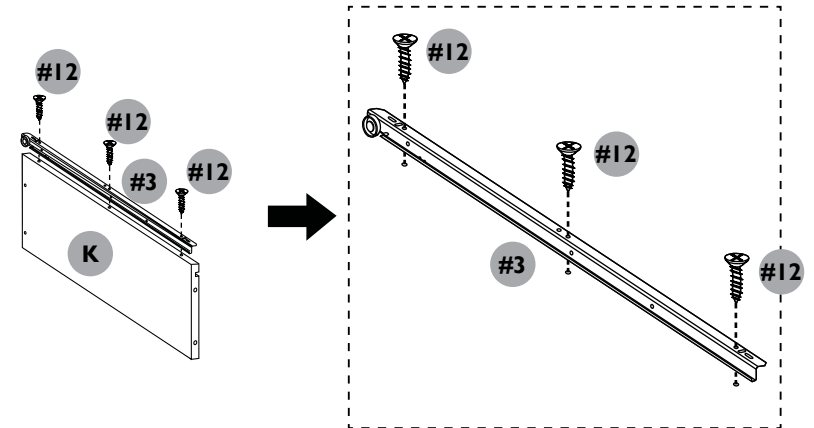
4x #4 LH L-Shaped Runners



12x #12 Screws 12mm

## STEP 13:

Locate 4x RH drawer side panels (K) and secure runner (#3) with 3x screws (#12) where indicated to each panel.



### Hardware for Step 13:



4x #3 RH L-Shaped Runners

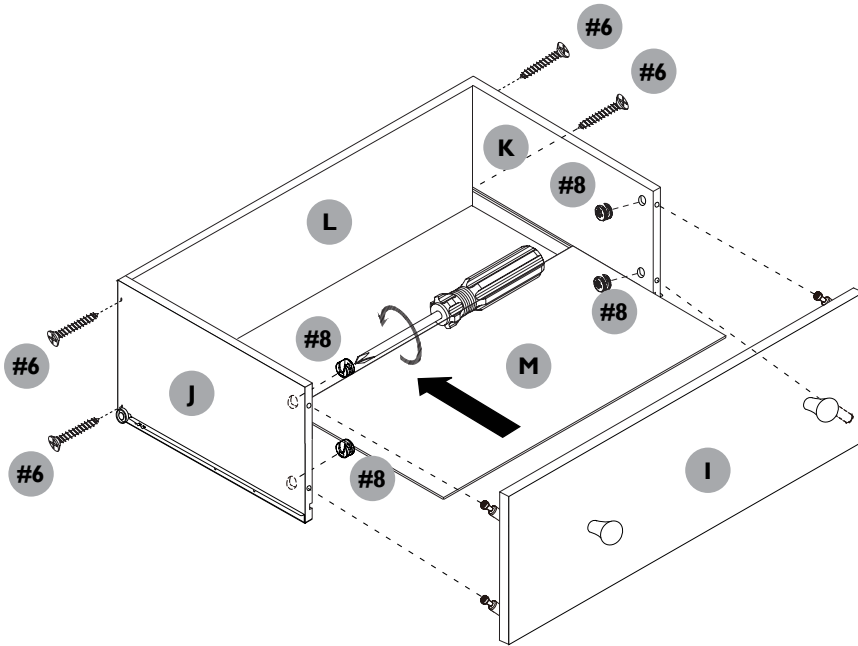


12x #12 Screws 12mm

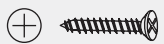
## STEP 14:

Construct the large drawer by attaching side panels (J and K) to the large drawer back panel (L) as shown with 4x screws (#6). Ensure that the runners are on the outer side of the side panels and that the wheels on the runners is at the back of the drawer.

Slide in the drawer base panel (M) into the grooves and insert 4x cam locks (#8) into the hardware holes at the front of the drawer. Then slot in the drawer front panel (I) and secure the 4x cam locks (#8) with a philips screwdriver.



### Hardware for Step 14:



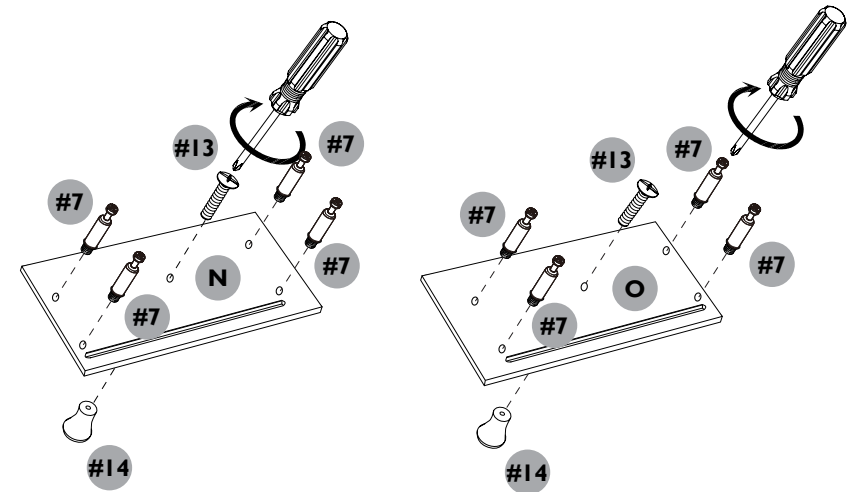
4x #6 Screws 25mm



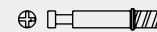
4x #8 Cam Locks

## STEP 15:

Insert 4x cam dowels (#7) to drawer front panels (N and O). Then attach the x2 wooden handles (#14) to both panels with x2 cross head bolts (#13).



### Hardware for Step 15:



8x #7 Cam Dowels



2x #14 Wooden Handles

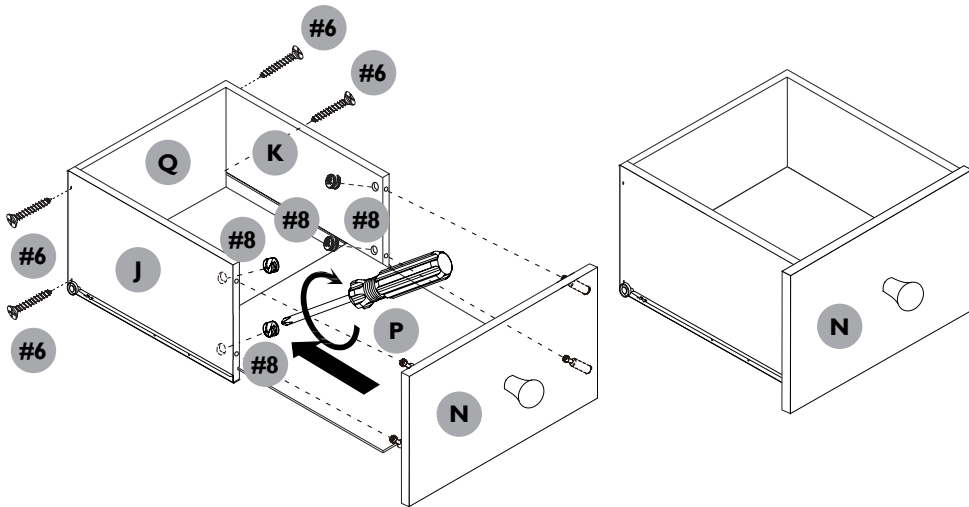


2x #13 Cross Head Bolts

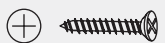
### STEP 16:

Construct drawer N by attaching side panels (J and K) to back panel (Q) as shown with 4x screws (#6). Ensure that the runners are on the outer side of the side panels and that the wheels on the runners is at the back of the drawer.

Slide in the drawer base panel (P) into the grooves and insert 4x cam locks (#8) into the hardware holes at the front of the drawer. Then slot in the drawer front panel (N) and secure the 4x cam locks (#8) with a philips screwdriver.



#### Hardware for Step 16



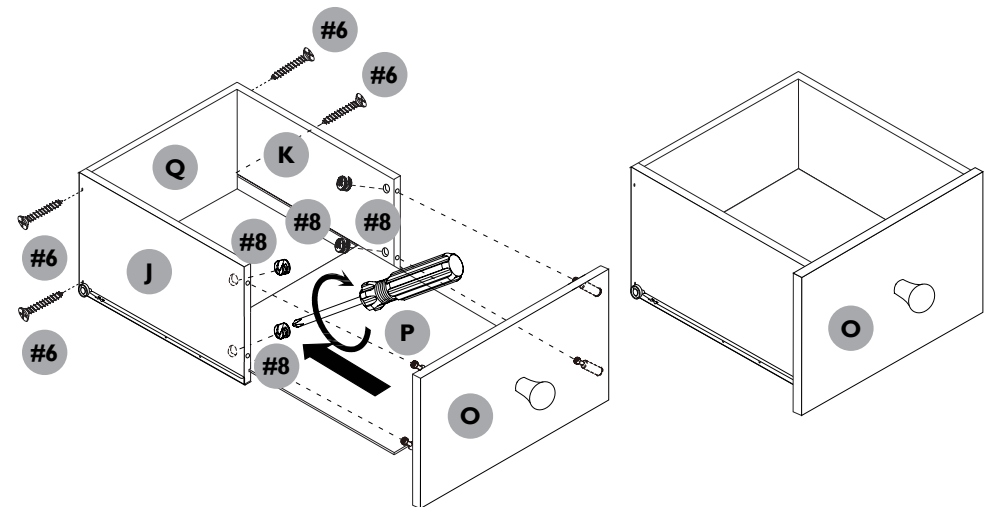
4x #6 Screws 25mm



4x #8 Cam Locks

### STEP 17:

Repeat step 17 to create the second small drawer attaching drawer front panel (O)



#### Hardware for Step 17



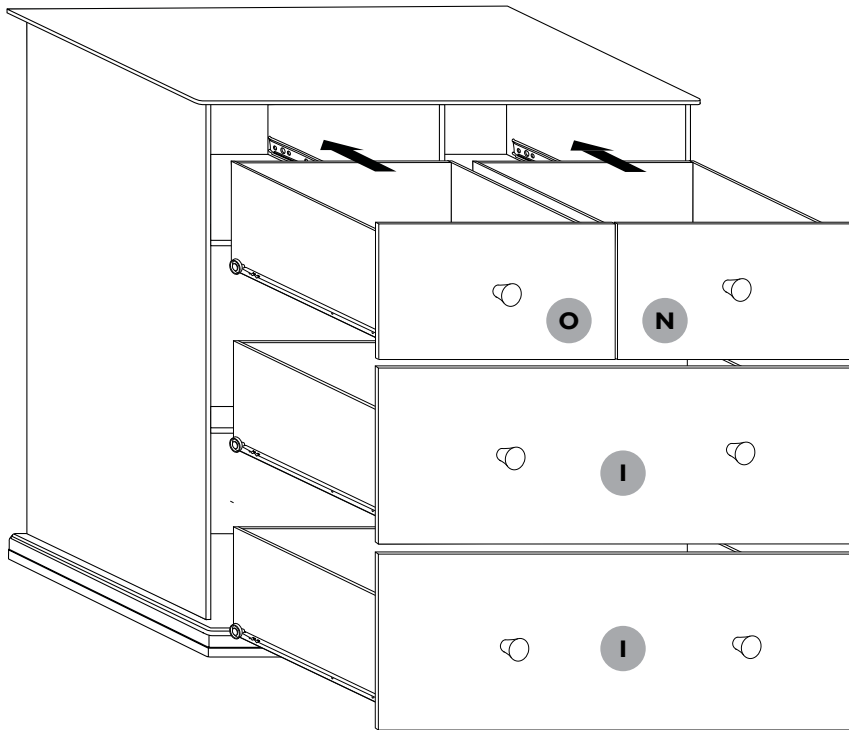
4x #6 Screws 25mm



4x #8 Cam Locks

### STEP 18:

Insert 4x drawers as shown ensuring that the small drawer (O) is on the left hand side and drawer (N) is on the right hand side.



### STEP 19:

Your unit is ready to use.

Please be aware that we advise that safety straps are used to secure this to the wall. For details on securing the unit to the wall see the anti-tip kit instructions included with this product. Alternative furniture safety straps are available at [www.gltc.co.uk](http://www.gltc.co.uk)

