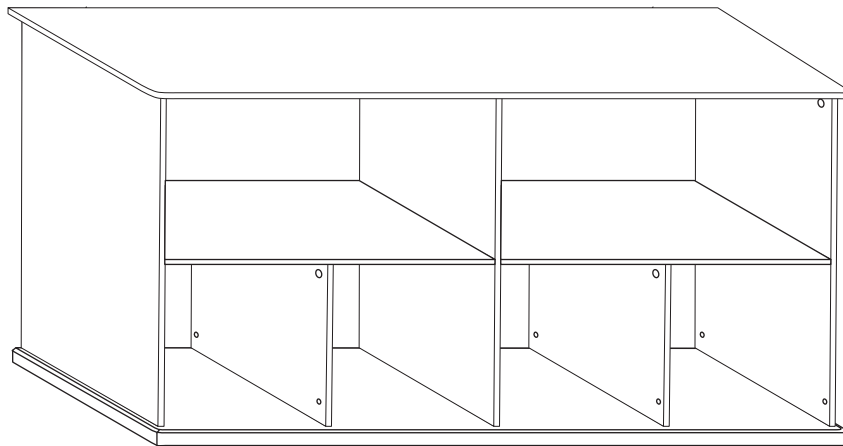




gltc.co.uk

Abbeville Storage - Long Shelf Unit



Assembly Difficulty



easy - medium - hard



two-person job

V4

25/10/2017

Thank you for shopping with GLTC, we hope you enjoy having this product in your home.

We know assembling furniture, toys or accessories is not everyone's favourite way to spend their time, so we've tried to make assembling this item as quick and painless as possible.

Hopefully our efforts will have been worthwhile and you'll sail through the whole process. But if it all feels a bit too much like hard work, then we do have an assembly company we can recommend: the Flatpack Construction Company offers a nationwide service and can be contacted on **0843 289 4951** or **www.flatpackconstruction.co.uk**.

Good luck!

A few important pointers before you start:

- It might be worth checking on our website that there are no updates or revisions to these instructions (if we have had helpful feedback from other customers we pass it on via the product web page). Simply check the date and version number on the front of this leaflet against that of any site updates.
- Please read the instructions right through before you start, and check that all the components have been included in the pack; we find separating all the hardware into piles makes it easier to be sure that everything is present and correct.
- Make sure you have the right tools. Allen keys are provided if required, but screw drivers and other tools are not. You'll find details of the tools you need at the beginning of the instructions.
- It's a good idea to build the unit in the room where you are going to be using it, to avoid the need to move it after it's been assembled.
- Do not throw away any packing materials until assembly is complete, just in case you accidentally discard smaller parts or hardware.

Safety Warnings:

- Adult assembly required.
- Unassembled product contains small parts which may present a choking hazard.
- Children should be kept away from the product during assembly to avoid any possible risk of injury.
- Assemble and use on a flat and level surface.
- DO NOT use power tools in the assembly of this product as there is a risk of over-tightening and consequently splitting of the wood.
- To avoid possible injury from tipping, DO NOT allow children to climb on this product.
- Always use the wall straps provided.
- Serious or fatal crushing injuries can occur from furniture tipping over. Ensure you secure this furniture product to the wall before you use it using the kit provided. If you have not received an anti-tip kit with your product please contact Customer Services.
- Check all fixtures and fittings regularly and tighten as necessary.
- Please retain these instructions for future reference.

Customer Service:

- If you find that any components are missing or damaged, please do not begin assembly and do not use the item. Please contact GLTC Customer Services on **0344 848 6000** immediately.
- We do stock spare hardware packs at our warehouse, so we should be able to send you a replacement pack immediately if required.

Product Care:

- Wipe clean using a soft damp cloth followed by a dry cloth.
- Do NOT use cleaning products which contain ammonia, solvents or abrasive material.
- Do NOT expose the item to extremes of heat and humidity.


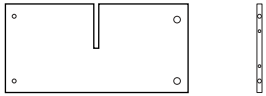
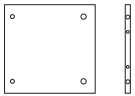
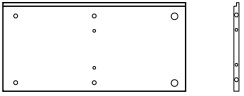
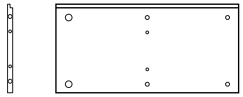
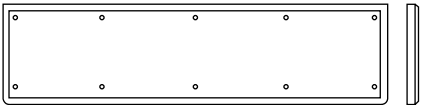
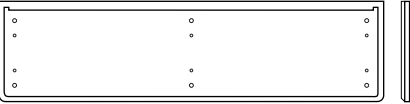

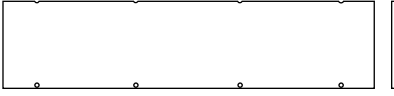
Could we do better?

If there is anything you think could be improved in these instructions or in the assembly of this product we'd be grateful if you could let us know; we'll pass any helpful hints and tips on to other customers via our website and update the instructions.

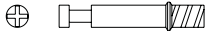

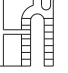



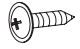

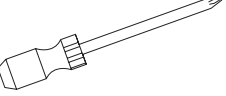
All you need to do is drop us a line at [**instructions@gltc.co.uk**](mailto:instructions@gltc.co.uk)

Thank you

Component Check List

<p>A</p>  <p>1x Shelf Panel</p>	<p>B</p>  <p>1x Large Divider Panel</p>
<p>C</p>  <p>2x Small Divider Panels</p>	<p>D</p>  <p>1x RH Side Panel</p>
<p>E</p>  <p>1x LH Side Panel</p>	<p>F</p>  <p>1x Base Panel</p>
<p>G</p>  <p>1x Top Panel</p>	<p>H</p>  <p>1x Upper Back Panel</p>
<p>I</p>  <p>1x Lower Back Panel</p>	

Component Check List

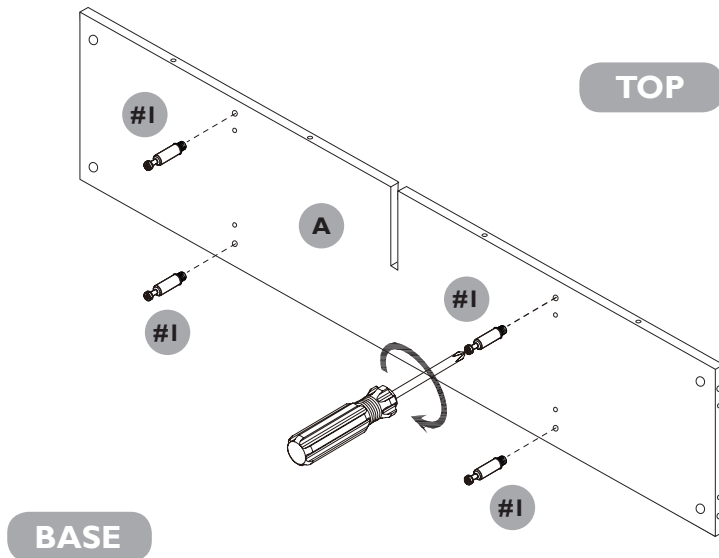
<p>#1</p>  <p>14x Cam Dowels 35mmL</p>	<p>#2</p>   <p>14x Cam Locks 14mm Diameter</p>
<p>#3</p>  <p>24x Wooden Dowels 20mmL</p>	<p>#4</p>  <p>10x Barrel Nuts</p>
<p>#5</p>  <p>10x Threaded Bolts 42mmL</p>	<p>#6</p>  <p>18x Screws 17.5mmL</p>
 <p>1x Allen Key</p>	<p>You will need (not supplied)</p>  <p>Phillips Head Screwdriver</p>

NOTE:

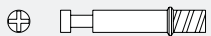
You will be building this unit face down. To make later steps easier and also to protect the product during the building process, we suggest laying the polystyrene packing down on the floor first and building on top of it.

STEP 1:

Take the shelf panel A and position it as shown, with the small pilot holes along the edge facing upwards and the drill holes on the shelf itself facing down towards the base of the unit. Insert 4x cam dowels (#1) as shown.



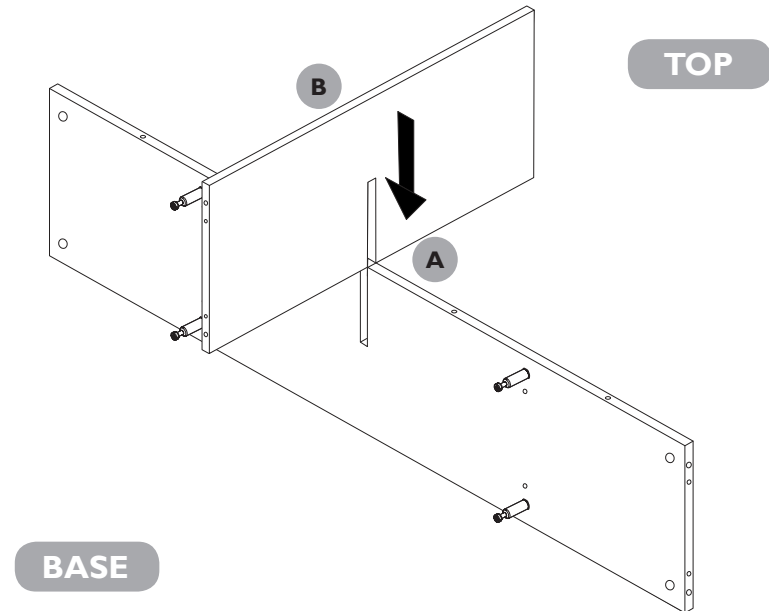
Hardware for Step 1:



4x #1 Cam Dowels

STEP 2:

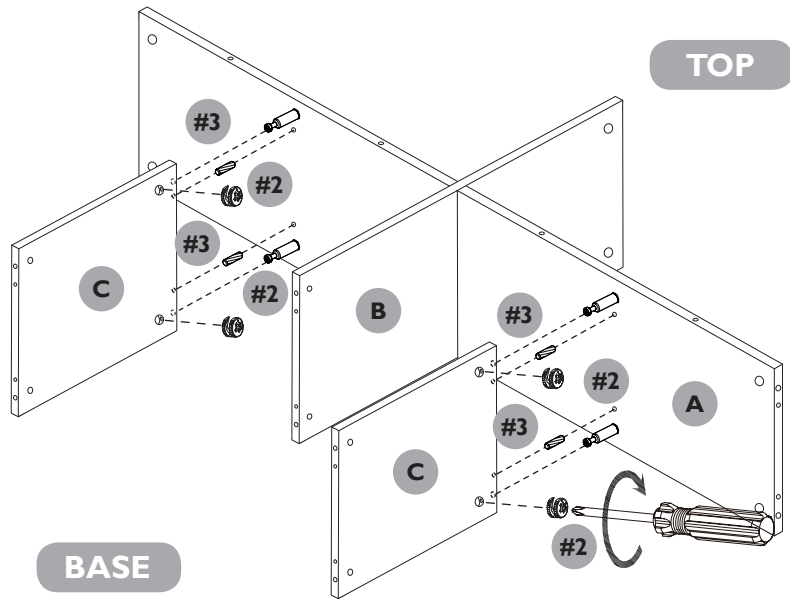
Slot in the larger divider panel B, making sure the smaller drill holes are positioned at the base end (the holes are visible on the other side of the panel).



STEP 3:

Position the two smaller divider panels C as shown, again ensuring that the smaller holes are at the base of the unit.

When the panels are in place over the fixed hardware and the wooden dowels, insert cam locks into the large drill holes of the divider panels and turn clockwise to secure.



Hardware for Step 3:



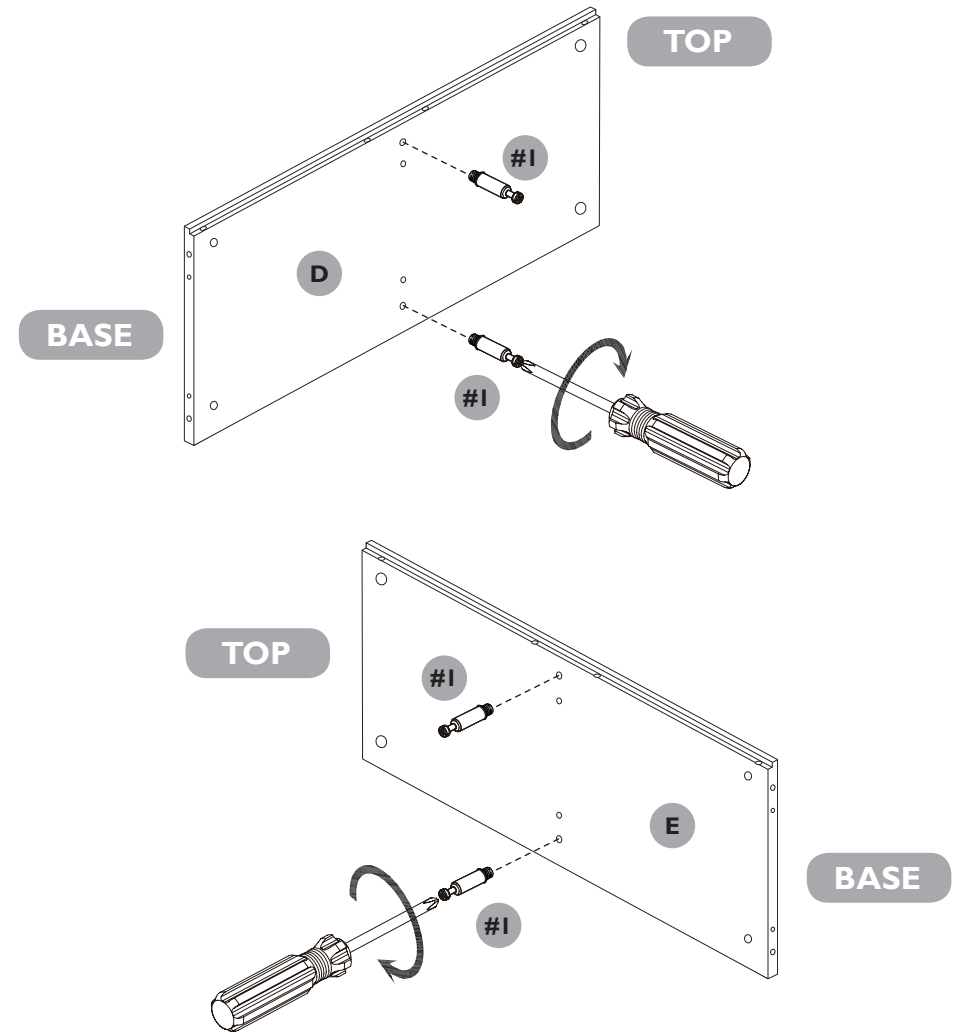
4x #2 Cam Locks



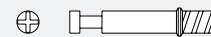
4x #3 Wooden Dowels

STEP 4:

Prepare both side panels.



Hardware for Step 4:

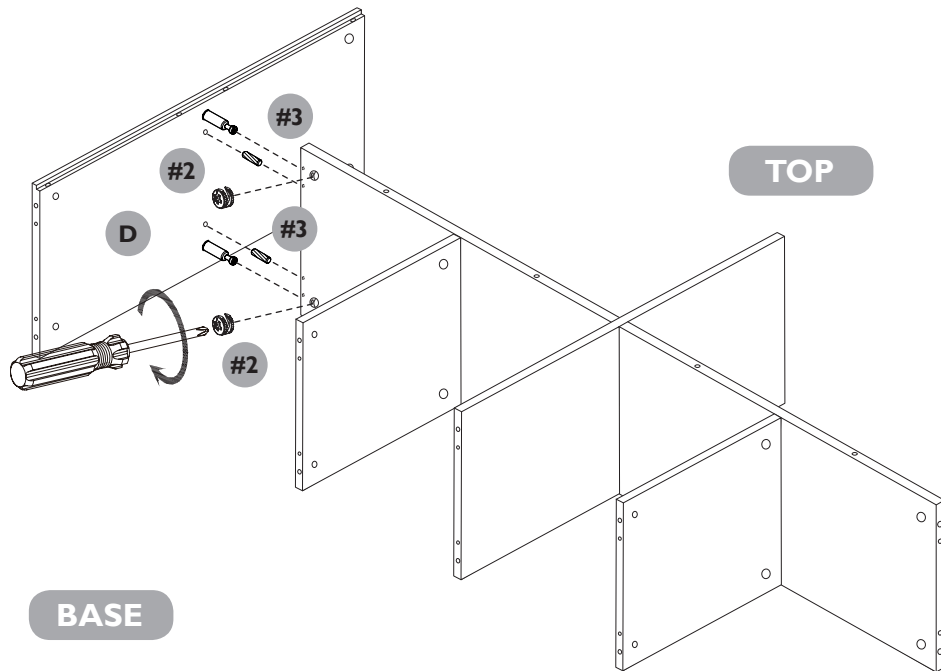


4x #1 Cam Dowels

STEP 5:

Position the RH side panel D on the unit with the smaller drill holes positioned at the base of the panel and the grooved edge facing upwards.

When the panel is in place over the fixed hardware and the wooden dowels, (#3) insert cam locks (#2) into the large drill holes of the shelf panel and turn clockwise to secure.



Hardware for Step 5:



2x #2 Cam Locks

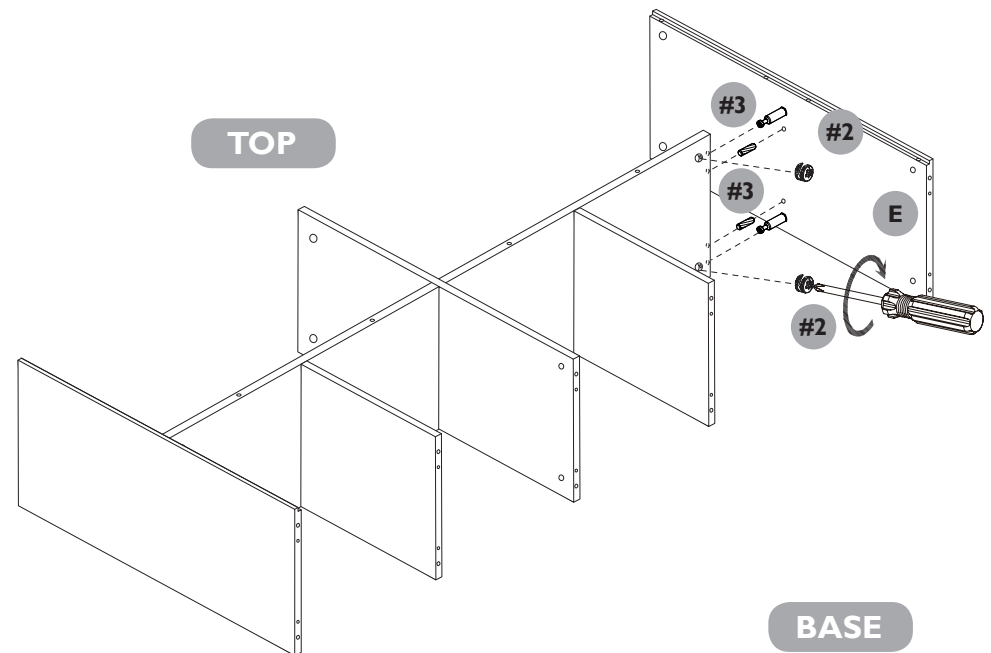


2x #3 Wooden Dowels

STEP 6:

Position the LH side panel E on the unit with the smaller drill holes at the base of the unit and the grooved edge facing upwards.

When the panel is in place over the fixed hardware and the wooden dowels, (#3) insert cam locks (#2) into the large drill holes of the shelf panel and turn clockwise to secure.



Hardware for Step 6:



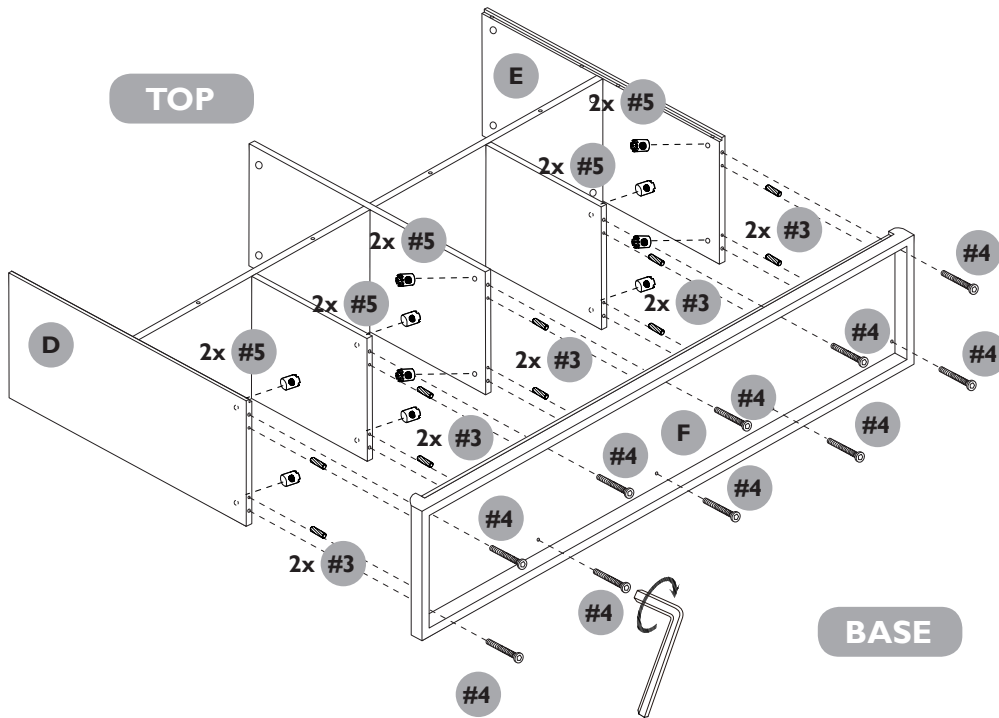
2x #2 Cam Locks



2x #3 Wooden Dowels

STEP 7:

Attach the base panel F to the rest of the unit using wooden dowels, bolts and barrel nuts as shown. Tighten the bolts using the Allen key provided.



Hardware for Step 7:



10x #3 Wooden Dowels



10x #4 Bolts



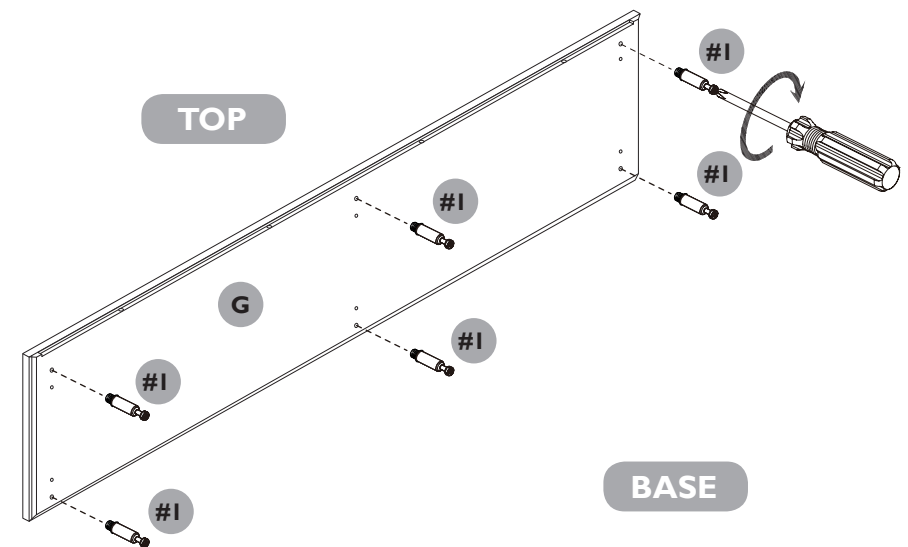
10x #5 Barrel Nuts

NOTE:

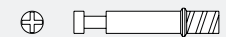
This is where it helps building on the polystyrene packaging. The unit will now be raised slightly making it easier to attach the base & top panels without having to lift up the part constructed unit.

STEP 8:

Prepare the top panel G.



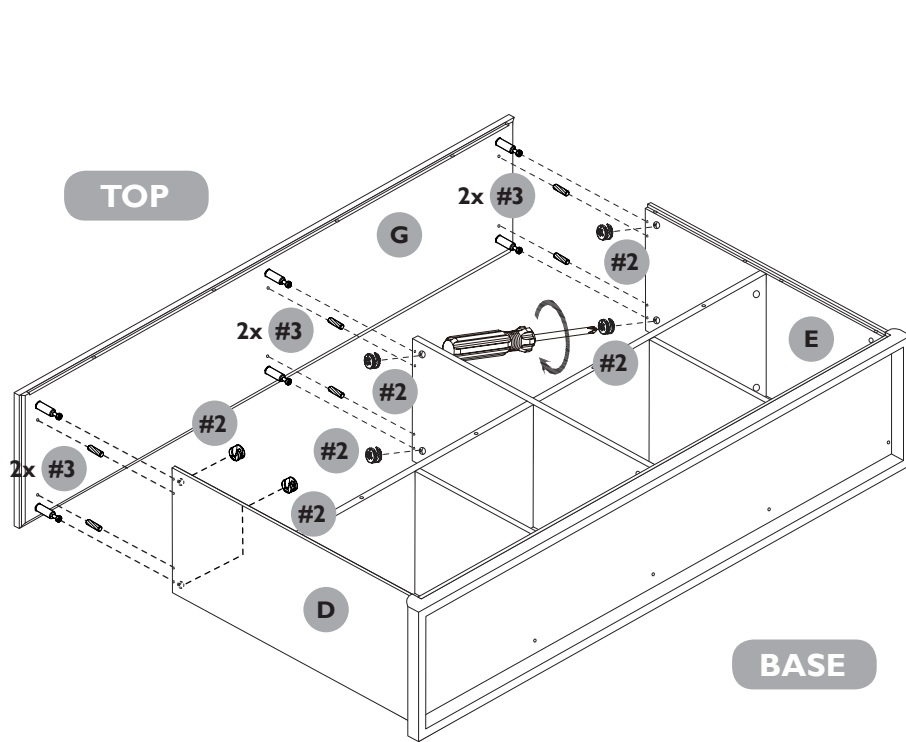
Hardware for Step 8:



6x #1 Cam Dowels

STEP 9:

Position the top panel G onto the unit using the fixed hardware and wooden dowels. Once in place, insert 6x cam dowels into the larger holes on the side and divider panels and turn clockwise to secure the top panel in place.



Hardware for Step 9:



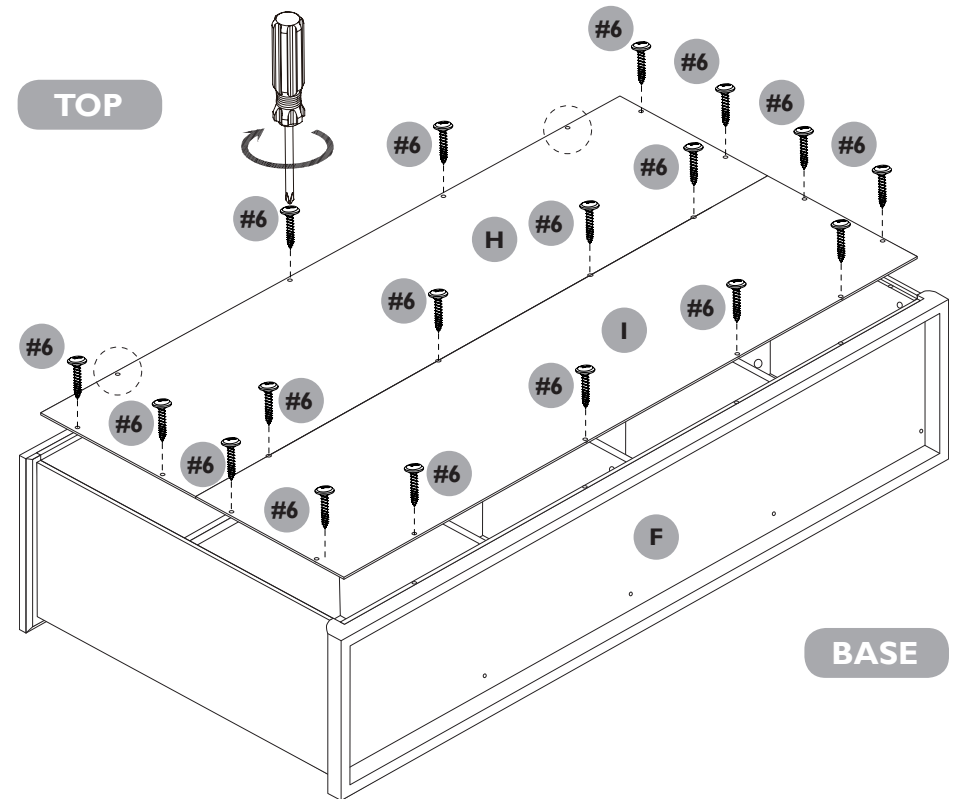
6x #2 Cam Locks



6x #3 Wooden Dowels

STEP 10:

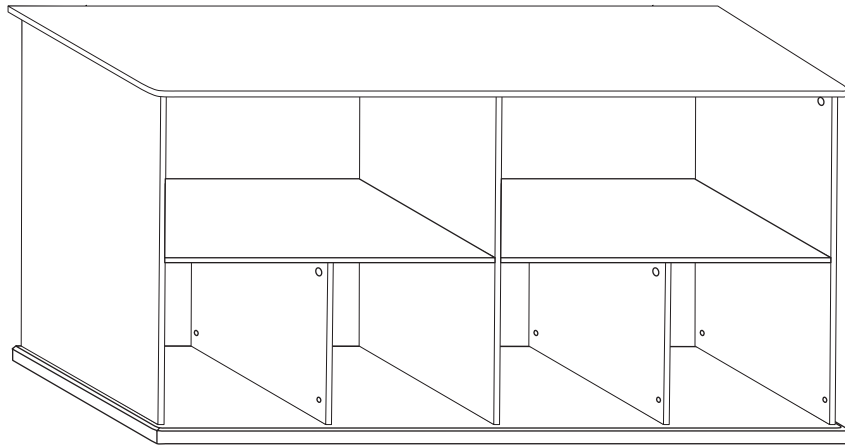
Attach the back panels using the longer, thinner screws (#6). Please note that the 2x pilot holes indicated at the top of the unit are to attach anti-tip straps included separately with this item.



Hardware for Step 10:



18x #6 17.5mmL Screws



Your unit is ready to use.

Attach the anti tip straps to the back of the unit using the remaining drill holes. For details on securing the unit to the wall see the anti-tip kit guidance.