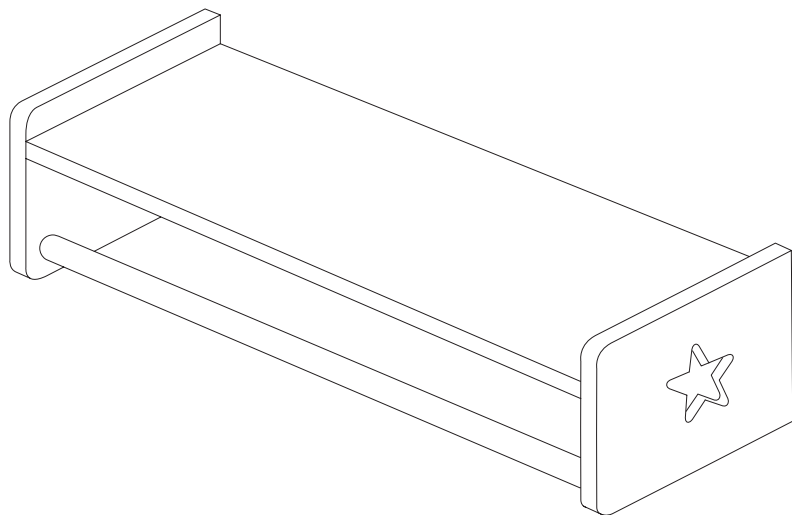




gltc.co.uk

Tomorrow's Clothes Rail L4378



Assembly Difficulty



easy - medium - hard



one-person job

V2

25/08/2020

Thank you for shopping with GLTC, we hope you enjoy having this product in your home.

We know assembling furniture, toys or accessories is not everyone's favourite way to spend their time, so we've tried to make assembling this item as quick and painless as possible.

Hopefully our efforts will have been worthwhile and you'll sail through the whole process. But if it all feels a bit too much like hard work, then we do have an assembly company we can recommend: the Flatpack Construction Company offers a nationwide service and can be contacted on **0843 289 4951** or **www.flatpackconstruction.co.uk**.

A few important pointers before you start:

- Please read the instructions right through before you start, and check that all the components have been included in the pack; we find separating all the hardware into piles makes it easier to be sure that everything is present and correct.
- Make sure you have the right tools. Allen keys are provided if required, but screw drivers and other tools are not. You'll find details of the tools you need at the beginning of the instructions.
- It's a good idea to build the unit in the room where you are going to be using it, to avoid the need to move it after it's been assembled.
- Do not throw away any packing materials until assembly is complete, just in case you accidentally discard smaller parts or hardware.

Safety Warnings:

- Adult Assembly required
- Unassembled product contains small parts which may present choking hazard.
- Children should be kept away from the product during assembly to avoid any possible risk of injury.
- DO NOT use power tools in the assembly of this product as there is a risk of over-tightening and consequently splitting of the wood.
- Check fixtures and fittings regularly and tighten as necessary.
- Wall fixings not included. Please use appropriate fixings that are suitable for the wall type. If in doubt, please seek professional advice.
- Maximum weight on shelf 6KG, maximum weight on rail 20kg.
- Do not overload during use.
- Please retain these instructions for future reference.

Customer Service:

- If you find that any components are missing or damaged, please do not begin assembly and do not use the item. Please contact GLTC Customer Services on **0344 848 6000** immediately.
- We do stock spare hardware packs at our warehouse, so we should be able to send you a replacement pack immediately if required.

Product Care:

- Wipe clean using a soft damp cloth followed by a dry cloth.
- Do NOT use cleaning products which contain ammonia, solvents or abrasive material.
- Do NOT expose the item to extremes of heat and humidity.

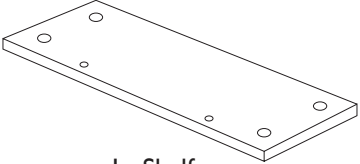
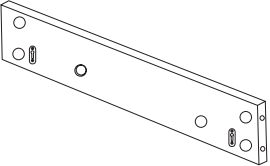
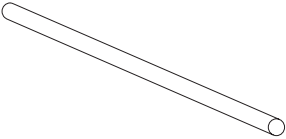
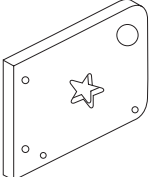
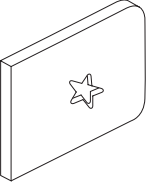
Could we do better?




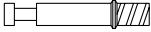
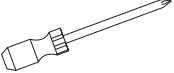
If there is anything you think could be improved in these instructions or in the assembly of this product we'd be grateful if you could let us know; we'll pass any helpful hints and tips on to other customers via our website and update the instructions.

All you need to do is drop us a line at [**instructions@gltc.co.uk**](mailto:instructions@gltc.co.uk)

Thank you

Component Check List

<p>A</p>  <p>1x Shelf</p>	<p>B</p>  <p>1x Back Panel</p>
<p>C</p>  <p>1x Clothes Rail</p>	<p>D</p>  <p>1x Side Panel</p>
<p>E</p>  <p>1x Side Panel</p>	

<p>#1</p>   <p>10x Cam Locks 14mm dia</p>	<p>#2</p>   <p>10x Cam Dowels 35mmL</p>
<p>You will need (not supplied)</p>  <p>Phillips Head Screwdriver</p>	

Hardware for Step 1:

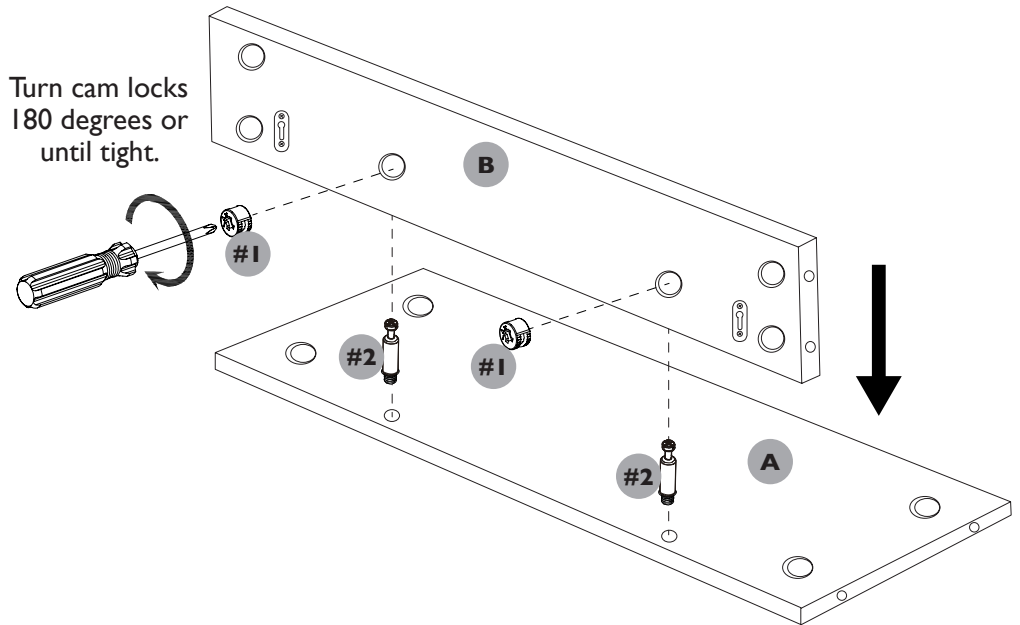


x2 #1 cam locks



x2 #2 cam dowels

Turn cam locks
180 degrees or
until tight.



STEP 1:

Insert 2x cam dowels (#2) into shelf (A). Now attach back panel (B) to shelf (A) using 2x cam locks (#1).

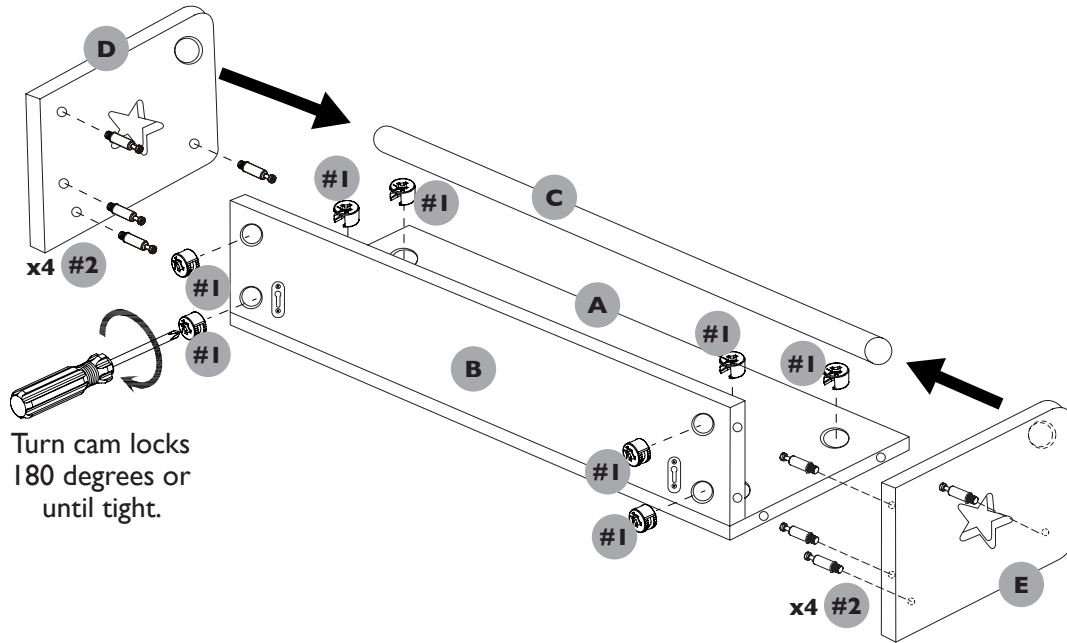
Hardware for Step 2:



x8 #1 cam locks



x8 #2 cam dowels



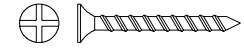
Turn cam locks 180 degrees or until tight.

STEP 2:

Insert 8x cam dowels (#2) into side panels D and E. Now attach panel D to panels A and B using 4x cam locks (#1).

Now attach panel E to side panels A and B using 4x cam locks (#1). The clothes rail (C) should be positioned into the holes on panels D and E as panel E is being secured with the cam locks.

2x Wall Fixings (NOT INCLUDED)



We suggest using M4*40mm flat head screws or screws of a similar size. Please ensure to use the appropriate wall fixing for your wall type. If in doubt, please seek professional advice.

