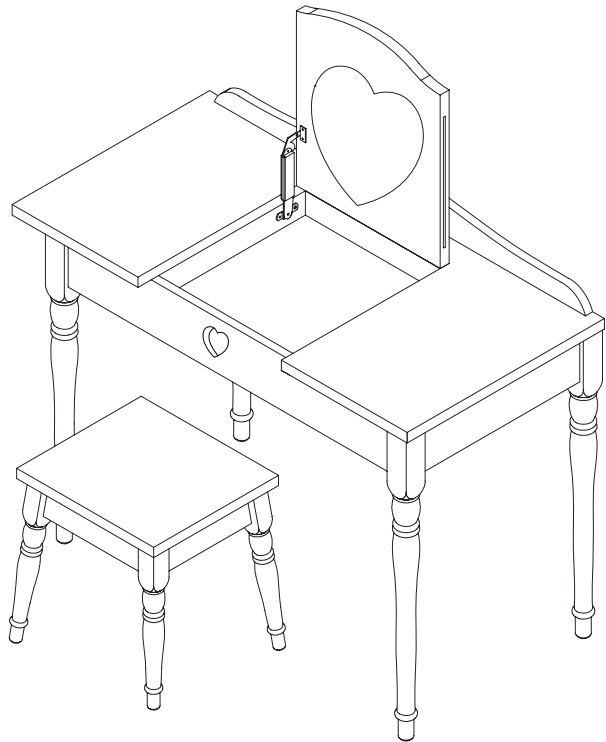




gltc.co.uk

Dressing Table & Stool Set



Assembly Difficulty



easy - medium - hard



one-person job

V3

06/05/2016

Thank you for shopping with GLTC, we hope you enjoy having this product in your home.

We know assembling furniture, toys or accessories is not everyone's favourite way to spend their time, so we've tried to make assembling this item as quick and painless as possible.

Hopefully our efforts will have been worthwhile and you'll sail through the whole process. But if it all feels a bit too much like hard work, then we do have an assembly company we can recommend: the Flatpack Construction Company offers a nationwide service and can be contacted on **0843 289 4951** or **www.flatpackconstruction.co.uk**.

Good luck!

A few important pointers before you start:

- It might be worth checking on our website that there are no updates or revisions to these instructions (if we have had helpful feedback from other customers we pass it on via the product web page). Simply check the date and version number on the front of this leaflet against that of any site updates.
- Please read the instructions right through before you start, and check that all the components have been included in the pack; we find separating all the hardware into piles makes it easier to be sure that everything is present and correct.
- Make sure you have the right tools. Allen keys are provided if required, but screw drivers and other tools are not. You'll find details of the tools you need at the beginning of the instructions.
- It's a good idea to build the unit in the room where you are going to be using it, to avoid the need to move it after it's been assembled.
- Do not throw away any packing materials until assembly is complete, just in case you accidentally discard smaller parts or hardware.

Safety Warnings:

- Adult assembly required.
- Unassembled product contains small parts which may present a choking hazard.
- Children should be kept away from the product during assembly to avoid any possible risk of injury.
- Assemble and use on a flat and level surface.
- DO NOT use power tools in the assembly of this product as there is a risk of over-tightening and consequently splitting of the wood.
- Check all fixtures and fittings regularly and tighten as necessary.
- Please retain these instructions for future reference.

Customer Service:

- If you find that any components are missing or damaged, please do not begin assembly and do not use the item. Please contact GLTC Customer Services on **0344 848 6000** immediately.
- We do stock spare hardware packs at our warehouse, so we should be able to send you a replacement pack immediately if required.

Product Care:

- Please ONLY use a soft microfibre cloth to clean the acrylic safety mirror as other materials may scratch it.
- Do NOT use cleaning products which contain ammonia, solvents or abrasive material.
- Do NOT expose the item to extremes of heat and humidity.

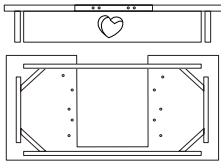
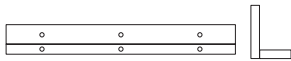
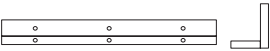
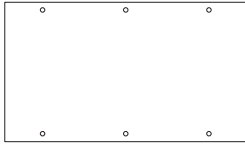

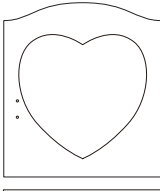
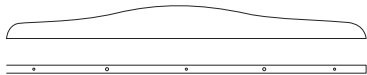
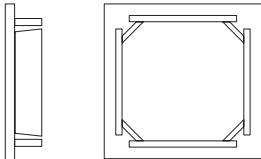
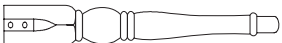
Could we do better?

If there is anything you think could be improved in these instructions or in the assembly of this product we'd be grateful if you could let us know; we'll pass any helpful hints and tips on to other customers via our website and update the instructions.

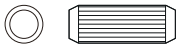
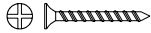



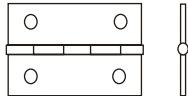
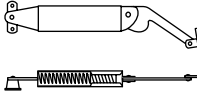

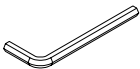
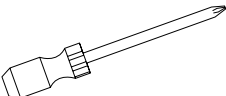
All you need to do is drop us a line at instructions@gltc.co.uk

Thank you

Component Check List

<p>A</p>  <p>1x Assembled Top</p>	<p>B</p>  <p>1x RH Storage Side Panel</p>
<p>C</p>  <p>1x LH Storage Side Panel</p>	<p>D</p>  <p>1x Storage Base Panel</p>
<p>E</p>  <p>4x Table Legs</p>	<p>F</p>  <p>1x Mirror Panel/Lid</p>
<p>G</p>  <p>1x Back Plinth</p>	<p>H</p>  <p>1x Stool Seat</p>
<p>I</p>  <p>4x Stool Legs</p>	

Component Check List

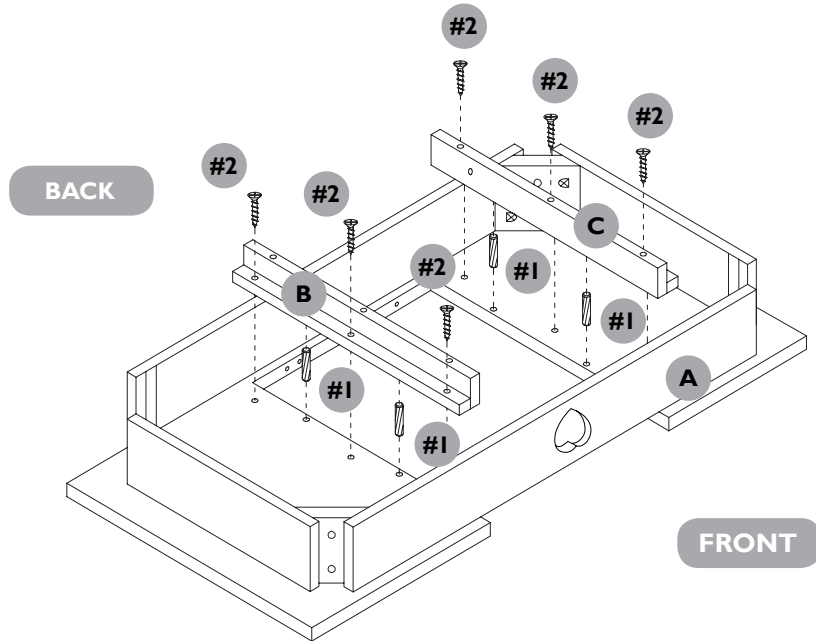
<p>#1</p>  <p>6x Wooden Dowels 20mmL</p>	<p>#2</p>  <p>9x Screws 25mmL</p>
<p>#3</p>  <p>14x Screws 14mmL</p>	<p>#4</p>  <p>16x Washers</p>
<p>#5</p>  <p>16x Screws 42mmL</p>	<p>#6</p>  <p>2x Hinges</p>
<p>#7</p>  <p>1x Safety Hinge</p>	<p>#8</p>  <p>4x Screws 11mmL</p>
<p>#9</p>  <p>1x Allen Key</p>	<p>You will need (not supplied)</p>  <p>Phillips Head Screwdriver</p>

STEP 1:

Create Dressing Table Storage.

Ensure panel C is positioned as shown with the drill holes on the face of the panel towards the back of the unit.

Use the wooden dowels (#1) to position panels B & C and then secure in place using the longer screws (#2) inserted in the lower drill holes on the panels.



Hardware for Step 1:



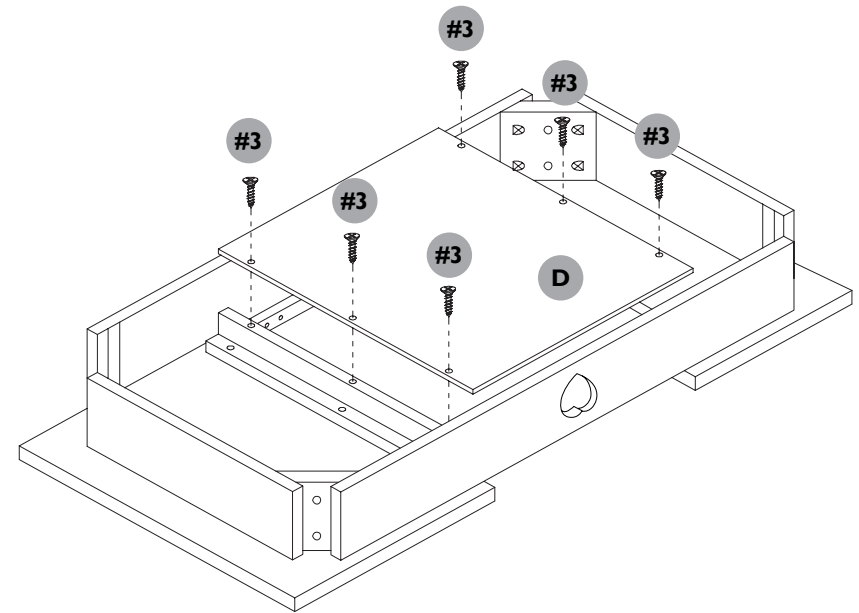
4x #1 Wooden Dowels



6x #2 25mmL Screws

STEP 2:

Attach the base panel D to the dressing table storage using hardware #3.



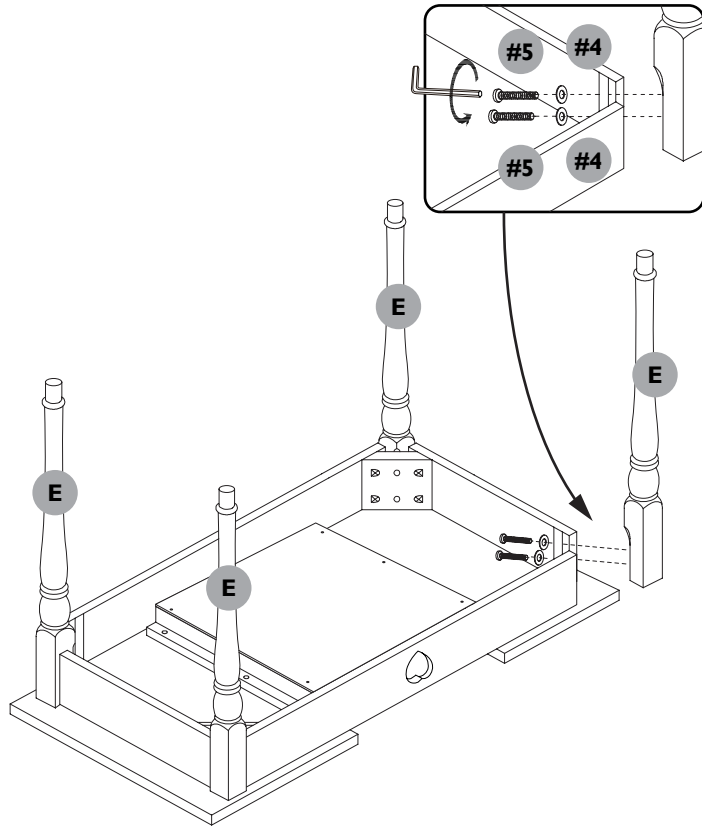
Hardware for Step 2:



6x #3 14mmL Screws

STEP 3:

Attach the dressing table legs using the bolts and washers (#5 & #4) and tighten using the allen key provided.



Hardware for Step 3:



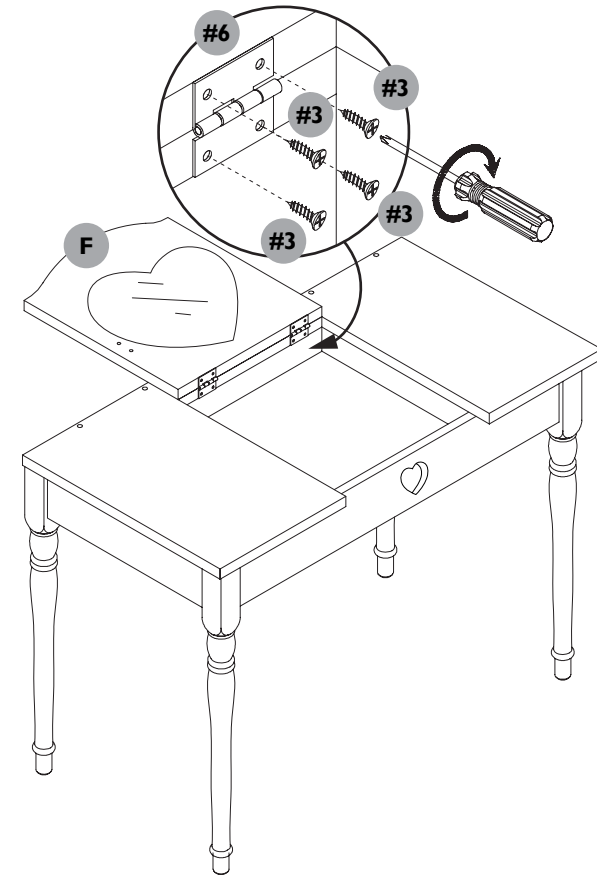
8x #5 42mmL Screws



8x #4 Washers

STEP 4:

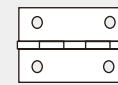
Right the dressing table and attach the mirror panel F using the two small hinges and hardware #3.



Hardware for Step 4:



8x #3 14mmL Screws



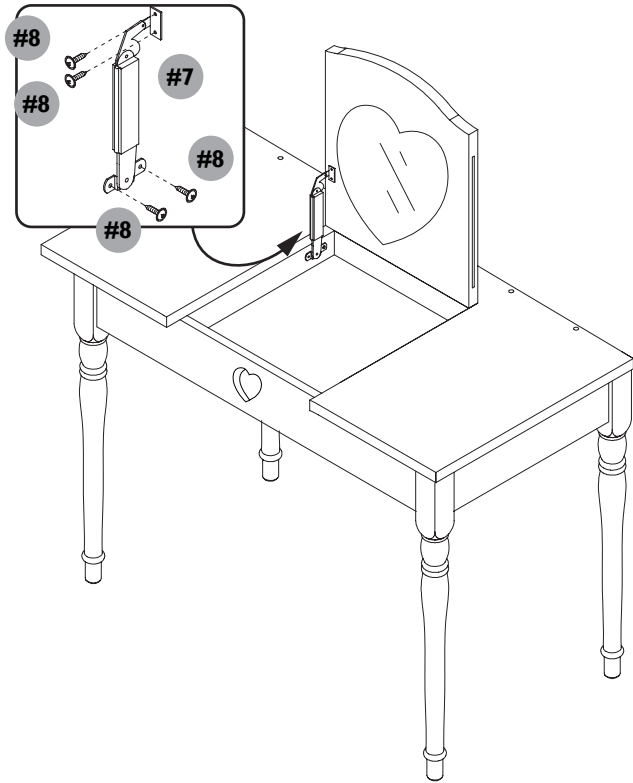
2x #6 Hinges

STEP 5:

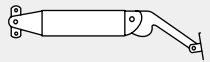
Attach the safety hinge.

NOTE:

Check to make sure the safety hinge is correctly installed by moving the dressing table lid up and down. When you let go of the lid it should stop, not fall or slam shut.



Hardware for Step 5:



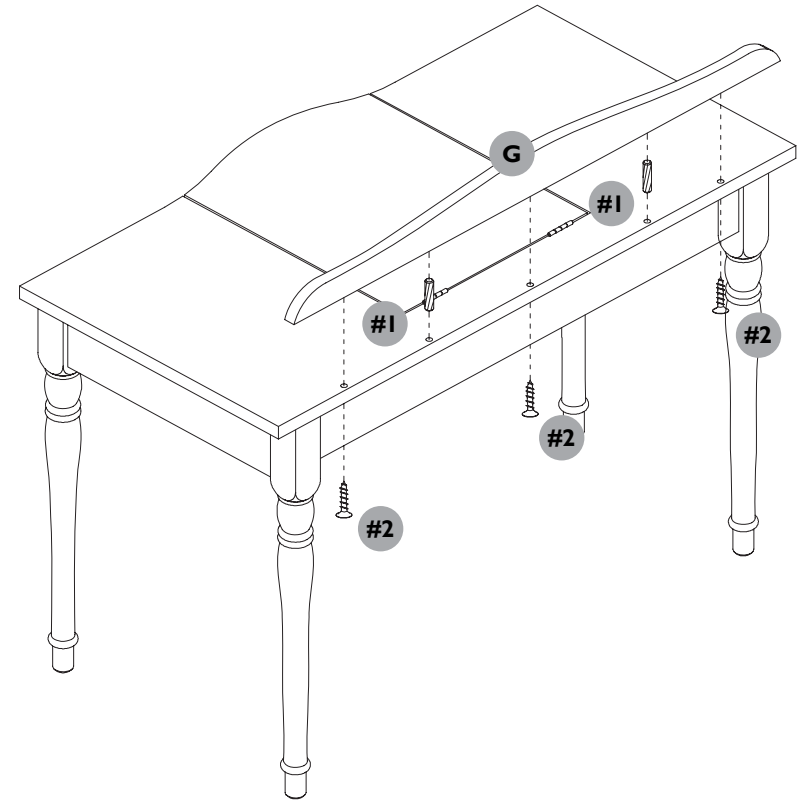
1x #7 Safety Hinge



4x #8 11mmL Screws

STEP 6:

Position the back plinth G using the wooden dowels (#1). When in place, secure with the longer screws (#2).



Hardware for Step 6:



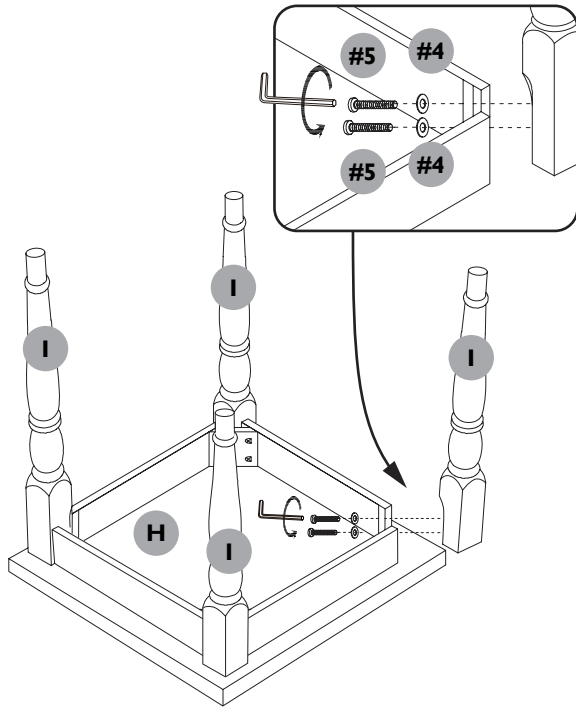
2x #1 Wooden Dowels



3x #2 25mmL Screws

STEP 7:

Attach the stool legs I to the seat H using the bolts & washers (#4 & #5). Tighten using the allen key provided.



Hardware for Step 7:



8x #5 42mmL Screws



8x #4 Washers

STEP 8:

Carefully remove the protective film from the mirror.

