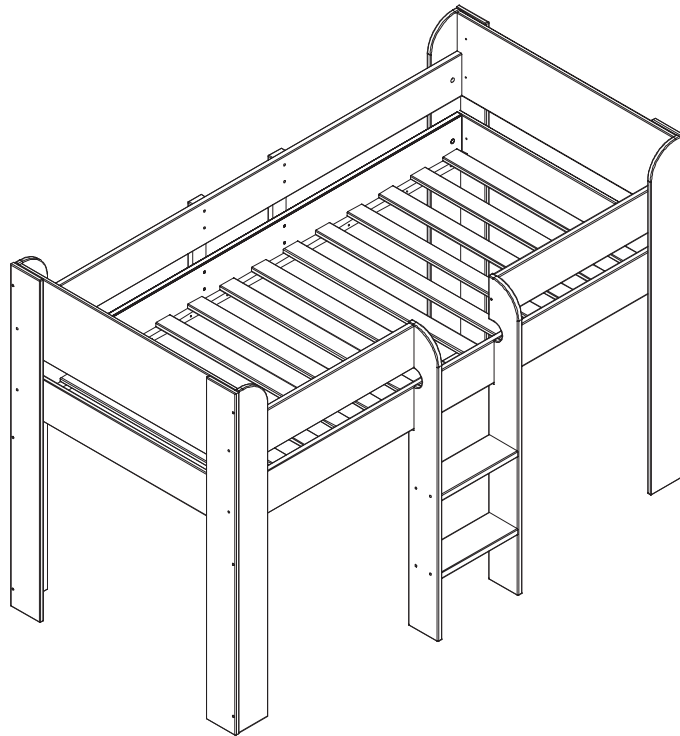




www.gltc.co.uk

Paddington Midsleeper



Assembly Difficulty



easy - medium - hard



two-person job

V4

09/02/2017

Thank you for shopping with GLTC, we hope you enjoy having this product in your home.

We know assembling furniture, toys or accessories is not everyone's favourite way to spend their time, so we've tried to make assembling this item as quick and painless as possible.

Hopefully our efforts will have been worthwhile and you'll sail through the whole process. But if it all feels a bit too much like hard work, then we do have an assembly company we can recommend: the Flatpack Construction Company offers a nationwide service and can be contacted on **0843 289 4951** or **www.flatpackconstruction.co.uk**.

A few important pointers before you start:

- Please read the instructions right through before you start, and check that all the components have been included in the pack; we find separating all the hardware into piles makes it easier to be sure that everything is present and correct.
- Make sure you have the right tools. Allen keys are provided if required, but screw drivers and other tools are not. You'll find details of the tools you need at the beginning of the instructions.
- It's a good idea to build the unit in the room where you are going to be using it, to avoid the need to move it after it's been assembled.
- Do not throw away any packing materials until assembly is complete, just in case you accidentally discard smaller parts or hardware.

Safety Warnings:

- **IMPORTANT - READ CAREFULLY - RETAIN FOR FUTURE REFERENCE.**
- This bed conforms to BS EN 747:2012 Parts 1&2 +A1:2015
- **WARNING!** Not suitable for children under 6 years due to the risk of injury from falls.
- This bed is suitable for mattress size 190cmL x 90cmW x 15cmD
- Adult assembly required.
- This product is heavy, we recommend that you build it where you are planning to use it.
- Assemble and use on a flat and level surface.
- Do not use power tools in the construction of this product.
- Unassembled product contains small parts which may present a choking hazard.
- Children should be kept away from the product during assembly to avoid any possible risk of injury.
- Do not place this bed near heat sources, windows or other furniture.
- **WARNING!** Children can become trapped between the bed and the wall. To avoid risk of serious injury the distance between the top safety barrier and the wall shall not exceed 75mm nor shall be more than 230mm.
- **WARNING!** Children can strangle in items such as ropes, strings, cords, harnesses and belts attached or hung from a bunk bed, mid-sleeper or high bed.
- Check fixtures and fittings regularly and tighten as necessary.
- Do not use this bed if any part becomes broken, torn or missing.

Customer Service:

- If you find that any components are missing or damaged, please do not begin assembly and do not use the item. Please contact GLTC Customer Services on **0344 848 6000** immediately.

Product Care:

- Wipe clean using a soft damp cloth followed by a dry cloth.
- Do **NOT** use cleaning products which contain ammonia, solvents or abrasive material.
- Do **NOT** expose the item to extremes of heat and humidity.
- Please ensure the room in which this bed is to be used is well ventilated or aired regularly in order to keep humidity low in and around the bed.

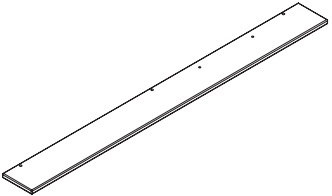
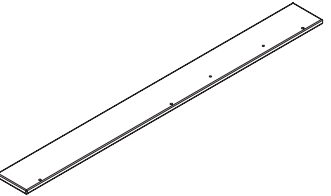
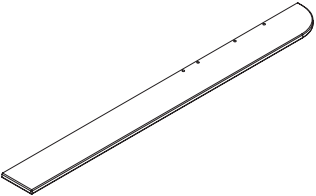
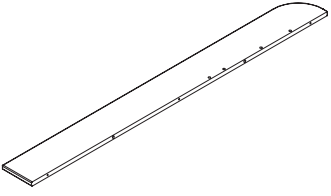
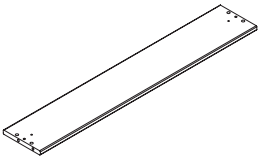
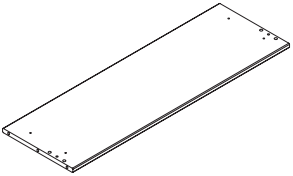
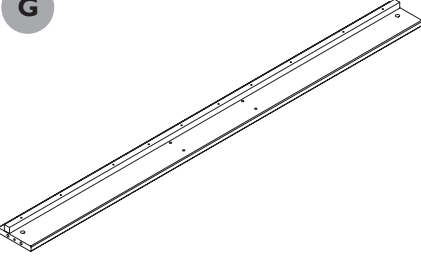
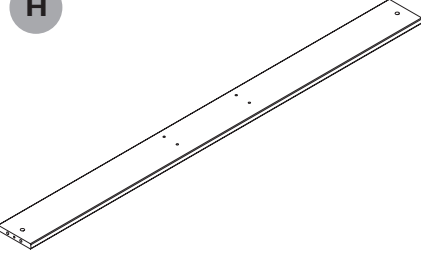
Could we do better?

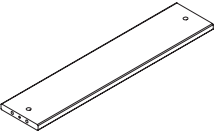
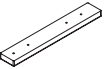
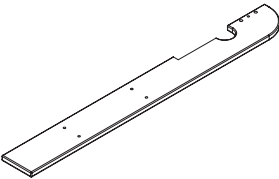
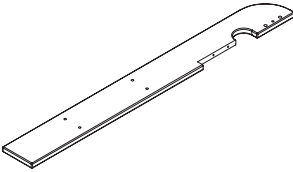
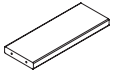
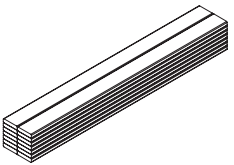
If there is anything you think could be improved in these instructions or in the assembly of this product we'd be grateful if you could let us know; we'll pass any helpful hints and tips on to other customers via our website and update the instructions.

All you need to do is drop us a line at instructions@gltc.co.uk

Thank you

Component Check List

<p>A</p>  <p>2x RH Leg Side Panels</p>	<p>B</p>  <p>2x LH Leg Side Panels</p>
<p>C</p>  <p>2x RH Leg Front Panels</p>	<p>D</p>  <p>2x LH Leg Front Panels</p>
<p>E</p>  <p>2x Headboard Rails</p>	<p>F</p>  <p>2x Headboards</p>
<p>G</p>  <p>2x Side Rails</p>	<p>H</p>  <p>1x Rear Guard Rail</p>

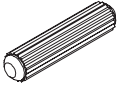
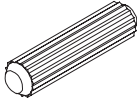
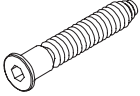
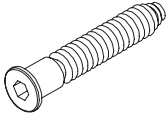
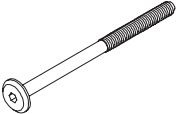

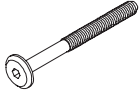
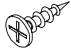
<p>I</p>  <p>2x Front Guard Rails</p>	<p>J</p>  <p>2x Rail Support Braces</p>
<p>K</p>  <p>1x LH Ladder Side</p>	<p>L</p>  <p>1x RH Ladder Side</p>
<p>M</p>  <p>2x Tread Panels</p>	<p>N</p>  <p>1x Slat Set</p>

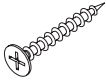


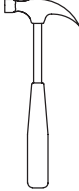
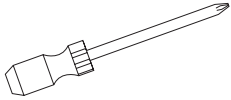
NOTE:

Please note that the panels are not labelled.

Please identify the panels before you start assembling the bed.

Component Check List

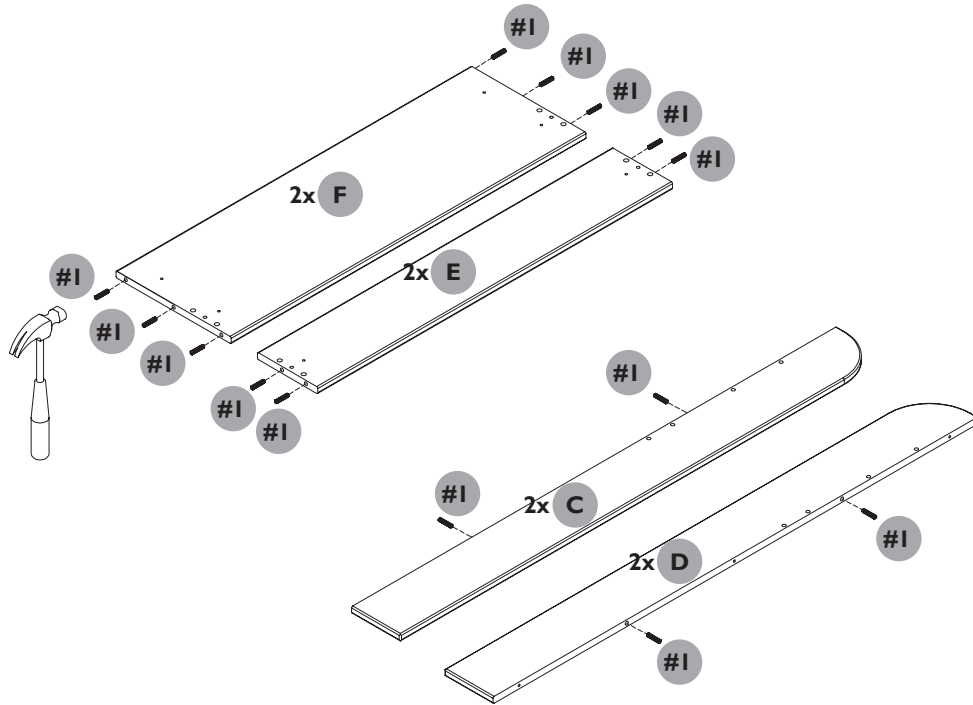
<p>#1 D7</p>  <p>28x Wooden Dowels 35mmL</p>	<p>#2 D11</p>  <p>20x Wooden Dowels 40mmL</p>
<p>#3 C26</p>  <p>8x Bolts 40mmL</p>	<p>#4 C27</p>  <p>24x Bolts 50mmL</p>
<p>#5 C18</p>  <p>8x Connecting Bolts 80mmL</p>	<p>#6 D25</p>  <p>10x Barrel Nuts</p>
<p>#7</p>  <p>2x Connecting Bolts 65mmL</p>	<p>#8 S5</p>  <p>12x Screws 30mmL</p>

<p>#9 S6</p>  <p>28x Screws 35mmL</p>	<p>#10 U3</p>  <p>32x Cover Caps</p>
<p>#11 K3</p>  <p>1x Allen Key</p>	<p>You will need (not supplied)</p>  <p>Hammer</p>
<p>You will need (not supplied)</p>  <p>Phillips Head Screwdriver</p>	

STEP 1:

Take the 2x headboards F, 2x headboard rails E, 2x RH leg front panels C and 2x LH leg front panels D and insert the shorter wooden dowels (#1) into the edges of the panels, as shown.

Lightly tap the dowels with a hammer for this step.



Hardware for Step 1:



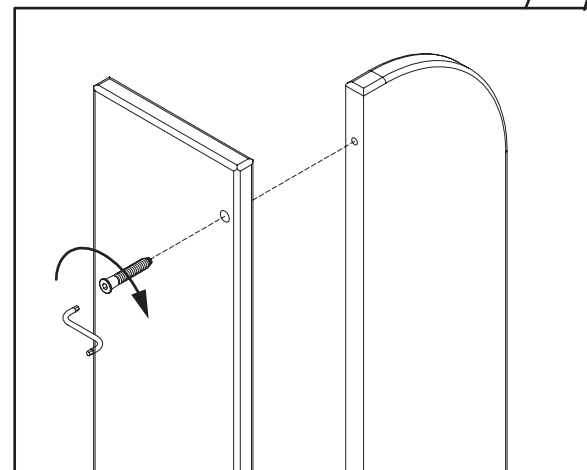
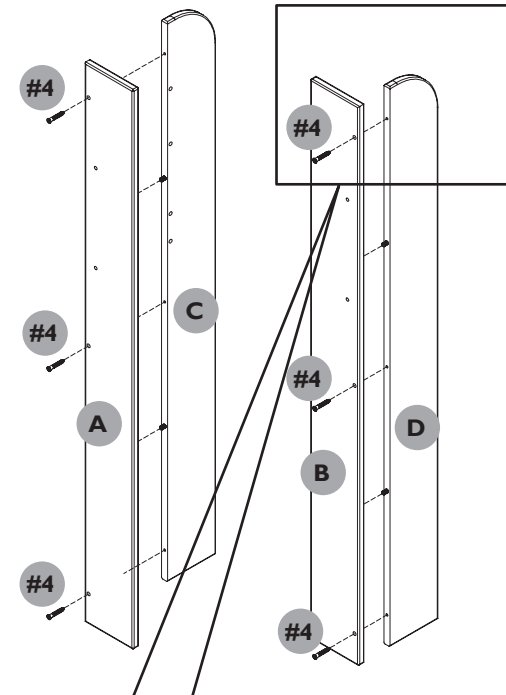
28x #1 Wooden Dowels 35mmL

STEP 2:

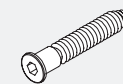
Build the two RH legs by securing one of the RH leg side panels A to one of the RH leg front panels C using the bolts (#4). Repeat for the second RH leg.

Now build the two LH legs by securing one of the LH leg side panels B to one of the RH leg front panels D using the of the two bolts (#4). Repeat for the second LH leg.

Tighten fully with the Allen key.



Hardware for Step 2:

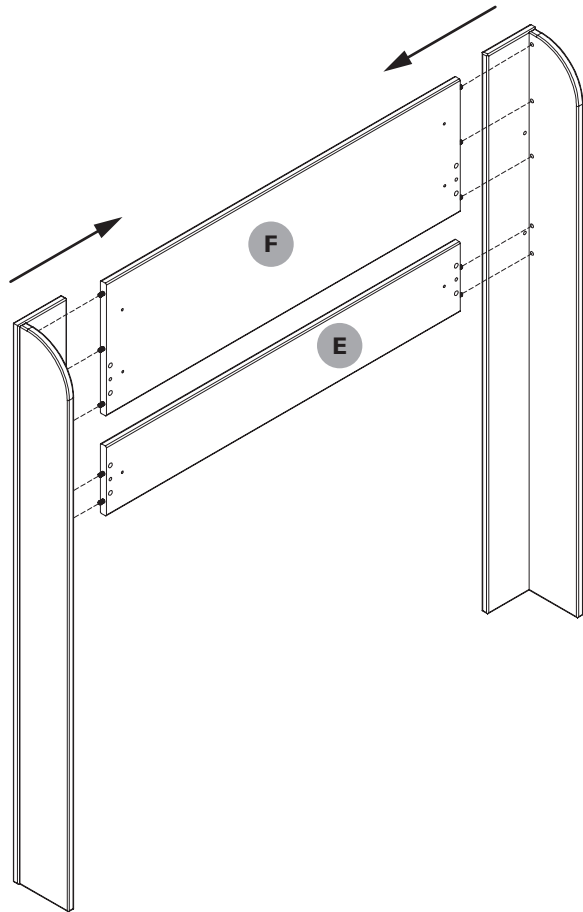


12x #4 Bolts

STEP 3:

Assemble the bed end by locating one of the prepared headboards and headboard rails into the LH assembled leg. Once all 4 panels are in place locate the RH assembled leg into place.

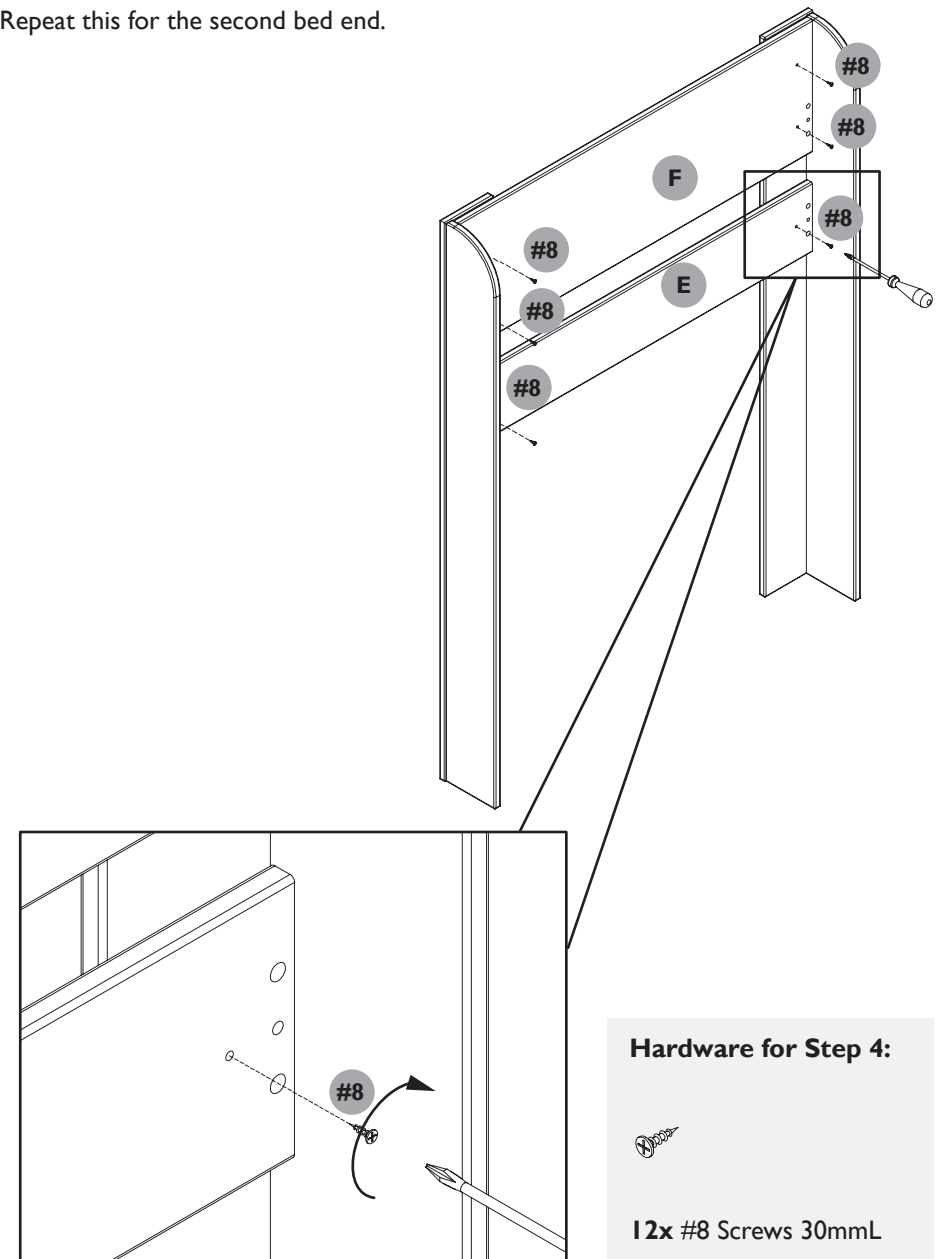
Repeat this for the second bed end.



STEP 4:

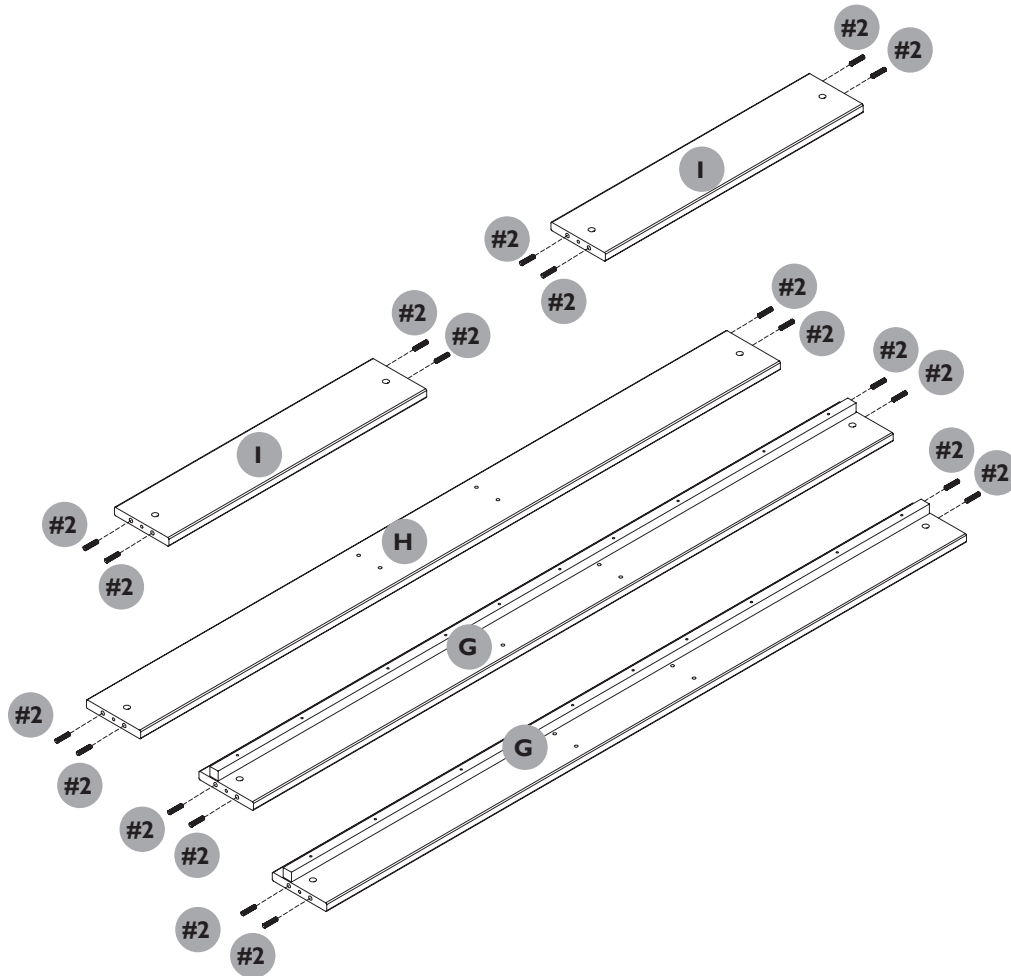
Secure these panels to the assembled legs using the shorter screws (#8).

Repeat this for the second bed end.



STEP 5:

Take the 2x front guard rails I, 1x rear guard rail H and 2x side rails G and insert the longer wooden dowels (#2) as shown.



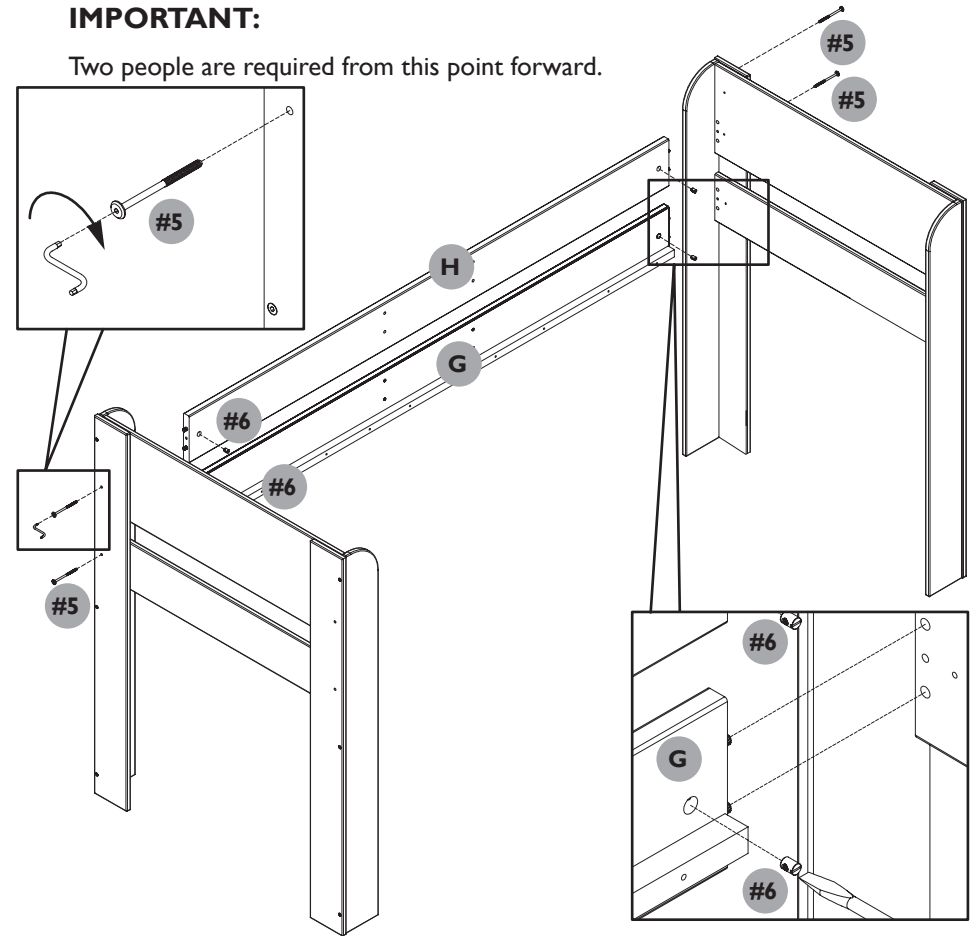
Hardware for Step 5:



20x #2 Wooden Dowels 40mmL

IMPORTANT:

Two people are required from this point forward.



Hardware for Step 6:



4x #5 Connecting Bolts

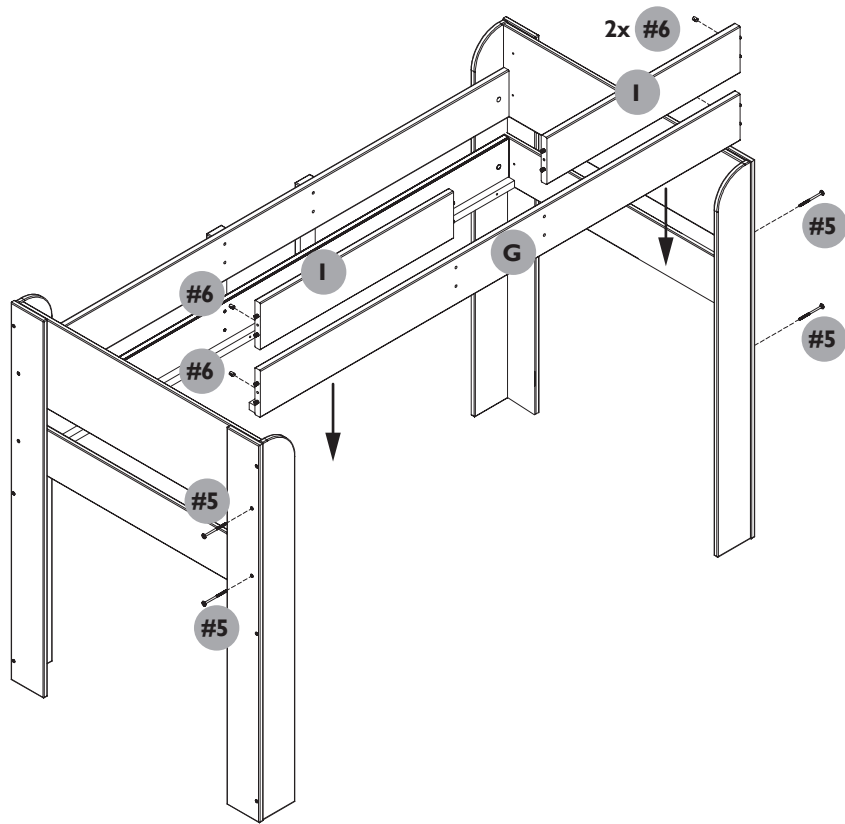


4x #6 Barrel Nuts

STEP 6:

Attach the rear side rail G and guard rail H to one of the assembled bed ends using the connecting bolts and barrel nuts as shown. Repeat this for the second bed end.

Leave the bolts finger tight to allow for the next step.



Hardware for Step 7:



4x #5 Connecting Bolts



4x #6 Barrel Nuts

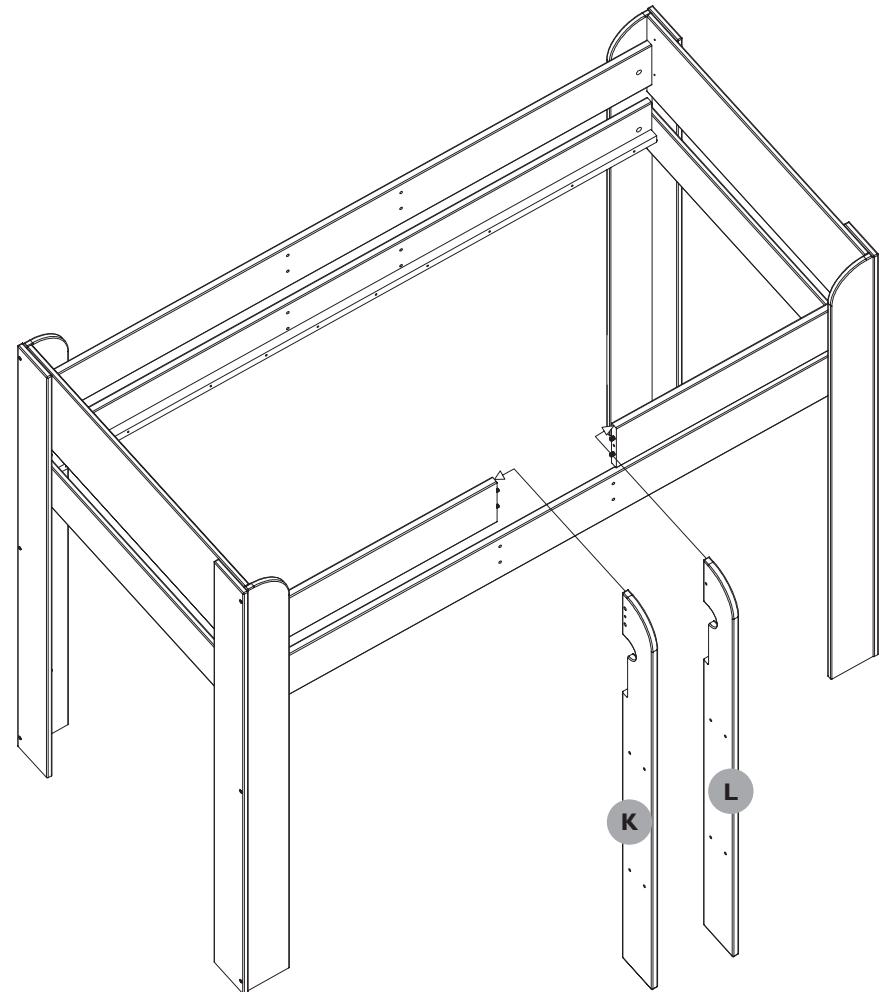
STEP 7:

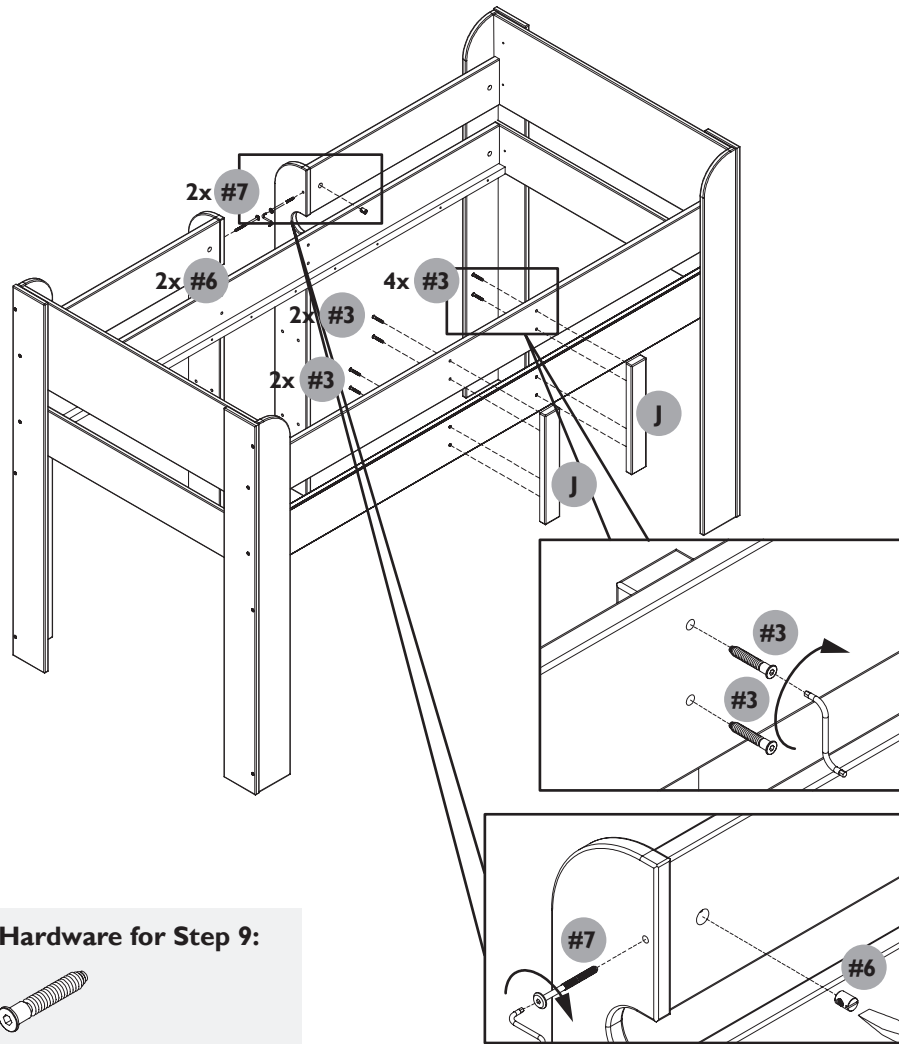
Attach the front side rail G and 2x front guard rails I to the assembled bed ends using the connecting bolts and barrel nuts as shown.

Tighten the bolts from step 6 and step 7 using the Allen key provided.

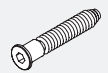
STEP 8:

Locate the RH and LH ladder sides onto the front guard rails.

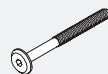




Hardware for Step 9:



8x #3 Bolts



2x #7 Connecting Bolts



2x #6 Barrel Nuts

STEP 9:

Secure the ladder sides to the front guard rails using the shorter connecting bolts (#7) and barrel nuts (#6) as shown.

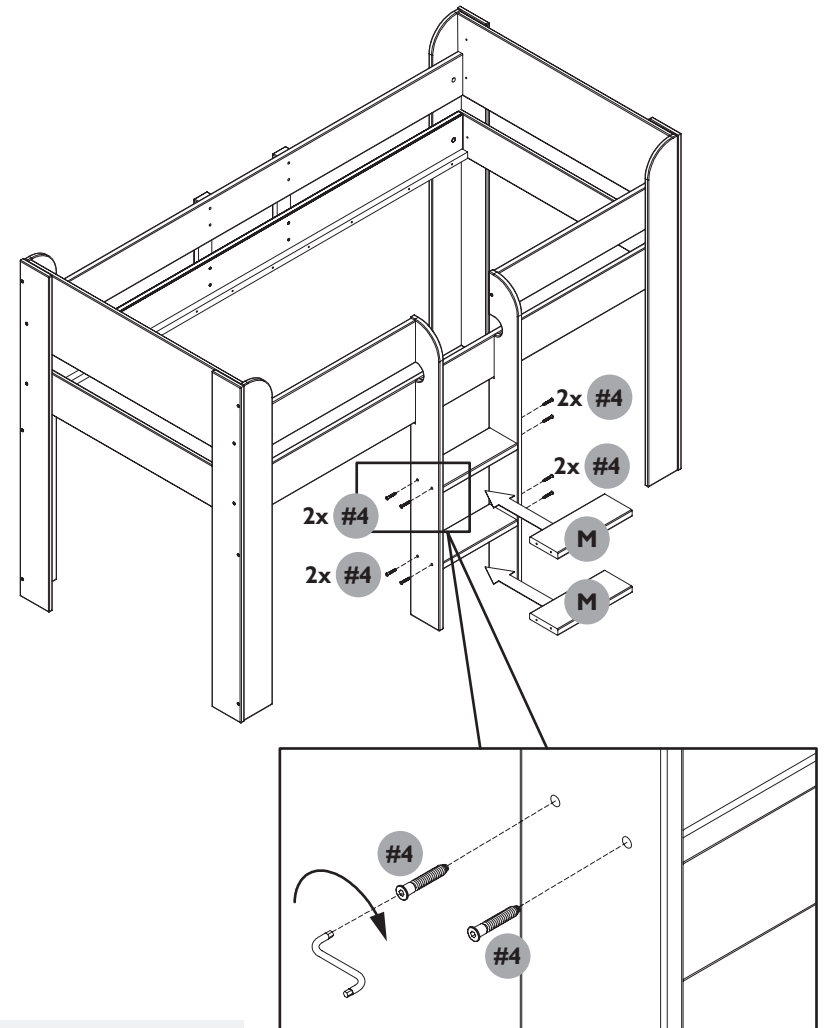
Fix the 2x rail support braces J to the back guard rail and frame rail using the shorter bolts (#3).

Tighten the bolts using the Allen key provided.

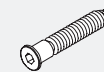
STEP 10:

Secure the 2x tread panels M to the ladder sides with the longer bolts (#4).

Tighten the bolts using the Allen key provided.



Hardware for Step 10:

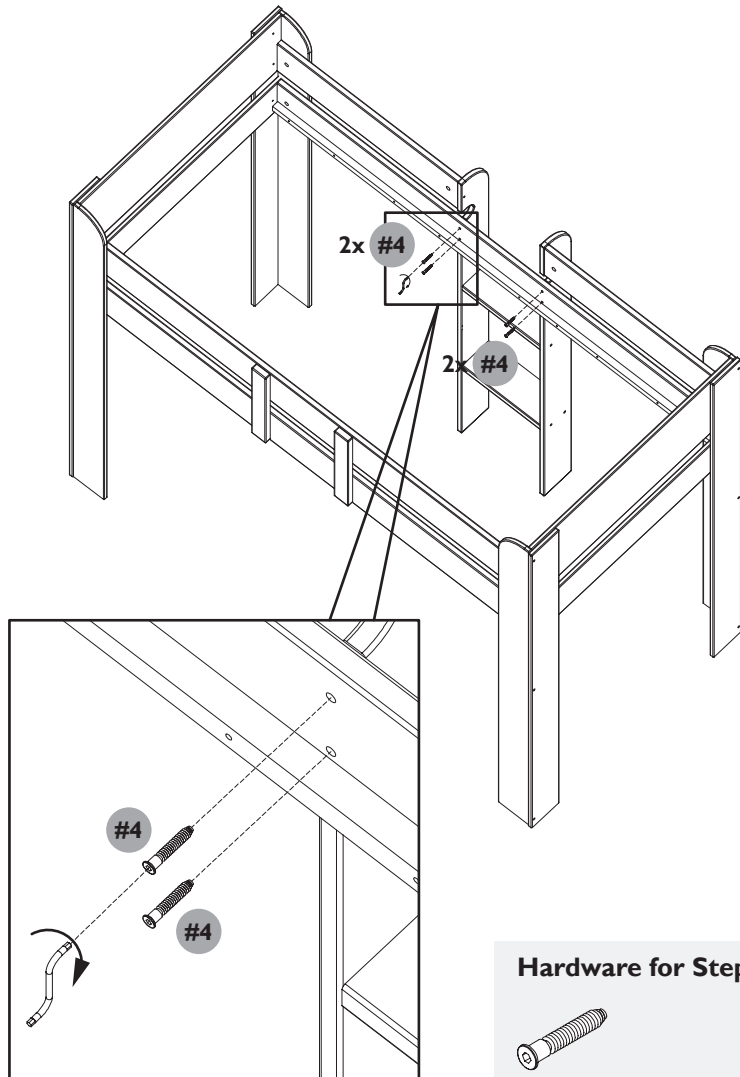


8x #4 Bolts

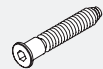
STEP 11:

Secure the ladder to the frame rails with the longer bolts (#4).

Tighten the bolts using the Allen key provided.



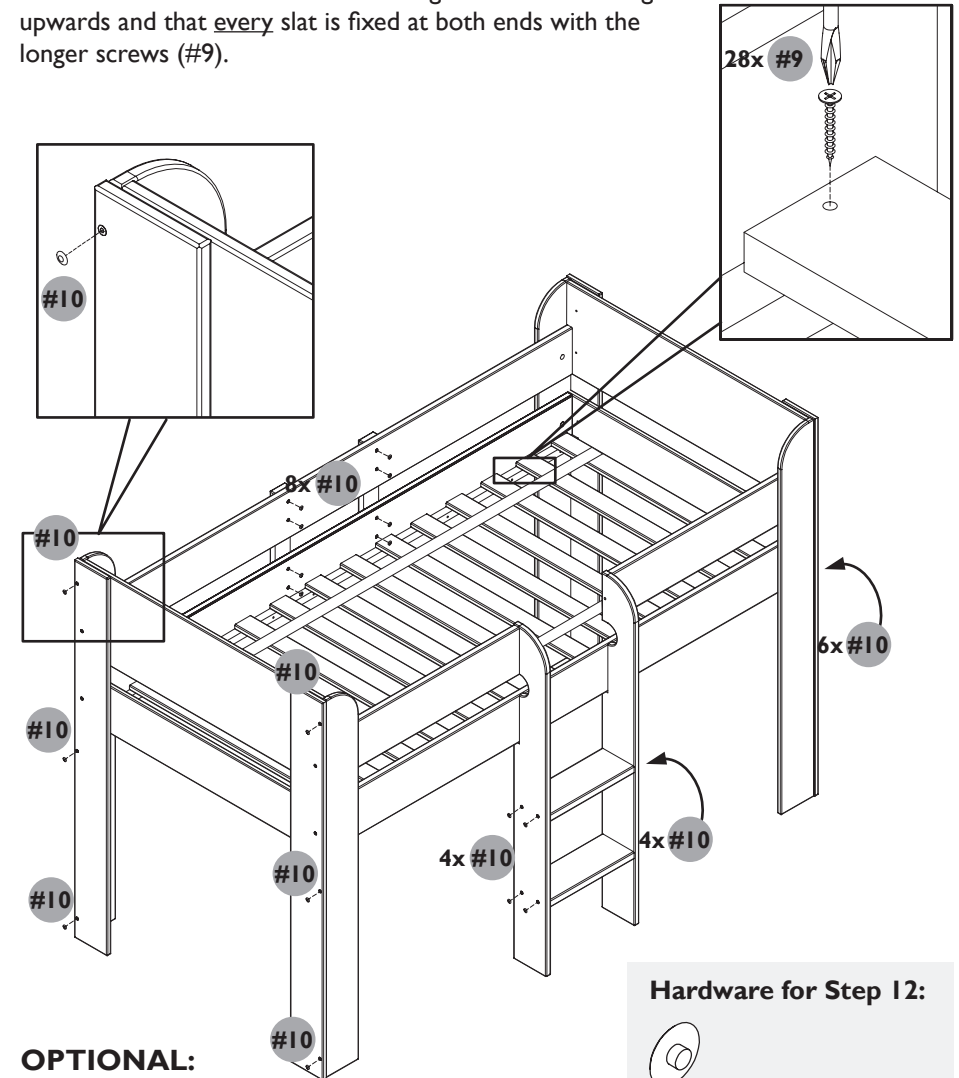
Hardware for Step 11:



4x #4 Bolts

STEP 12:

Secure the slat set to the rails ensuring the ribbon is facing upwards and that every slat is fixed at both ends with the longer screws (#9).



OPTIONAL:

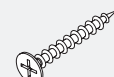
The cover caps (#10) can be used to conceal the shorter and longer bolt heads. Ensure they are pushed firmly into place if used.

Do not use the caps if children under 3 years have access to the bed as they could become a choking hazard.

Hardware for Step 12:



28x #10 Cover Caps



28x #9 Screws 35mmL

Copyright© 2016 G.L.T.C. Ltd. All rights reserved.

Great Little Trading Company and GLTC are registered trade marks of G.L.T.C. Limited.