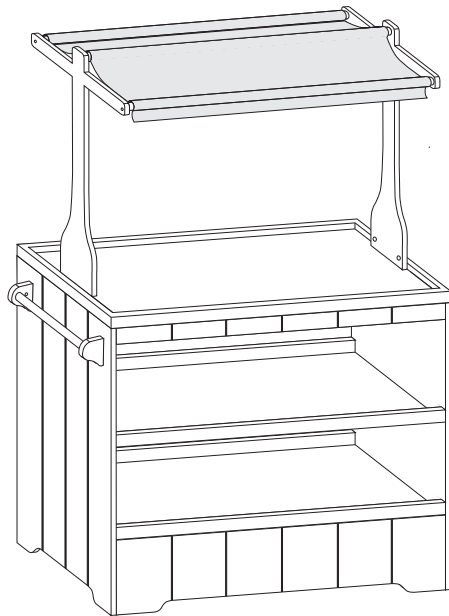




gltc.co.uk

## Devon Market Stall L4174



**Thank you for shopping with GLTC, we hope you enjoy having this product in your home.**

We know assembling furniture, toys or accessories is not everyone's favourite way to spend their time, so we've tried to make assembling this item as quick and painless as possible.

Hopefully our efforts will have been worthwhile and you'll sail through the whole process. But if it all feels a bit too much like hard work, then we do have an assembly company we can recommend: the Flatpack Construction Company offers a nationwide service and can be contacted on **0843 289 4951** or **www.flatpackconstruction.co.uk**.

### **A few important pointers before you start:**

- Please read the instructions right through before you start, and check that all the components have been included in the pack; we find separating all the hardware into piles makes it easier to be sure that everything is present and correct.
- Make sure you have the right tools. Allen keys are provided if required, but screw drivers and other tools are not. You'll find details of the tools you need at the beginning of the instructions.
- It's a good idea to build the unit in the room where you are going to be using it, to avoid the need to move it after it's been assembled.
- Do not throw away any packing materials until assembly is complete, just in case you accidentally discard smaller parts or hardware.

Assembly Difficulty



easy - medium - hard



two-person job



07/11/2016

### **Safety Warnings:**

- Please read these instructions carefully before assembly.
- Adult assembly required.
- Unassembled product contains small parts which may present a choking hazard.
- Not suitable for children under 3 years due to small parts that may become detached and present a choking hazard.
- Children should be kept away from the product during assembly to avoid any possible risk of injury.
- Assemble and use on a flat and level surface.
- **DO NOT** use power tools in the assembly of this product as there is a risk of over-tightening and consequently splitting of the wood.
- Check item regularly for signs of damage which may make the product unsafe.
- To avoid possible injury from tipping - **DO NOT** allow children to climb on the product.
- Check all fixtures and fittings regularly and tighten as necessary.
- Complies to the European Toy Safety Directive.
- **DO NOT** use this item if any components are missing or damaged.
- Please retain these instructions for future reference.

### **Customer Service:**

- If you find that any components are missing or damaged, please do not begin assembly and do not use the item. Please contact GLTC Customer Services on **0344 848 6000** immediately.
- We do stock spare hardware packs at our warehouse, so we should be able to send you a replacement pack immediately if required.

### **Product Care:**

- Wipe clean using a soft damp cloth followed by a dry cloth.
- Do **NOT** use cleaning products which contain ammonia, solvents or abrasive material.
- Do **NOT** expose the item to extremes of heat and humidity.


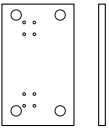
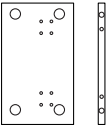
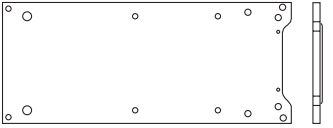




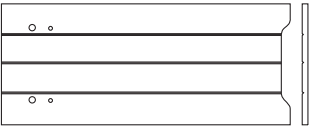


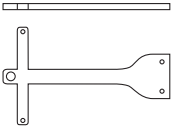


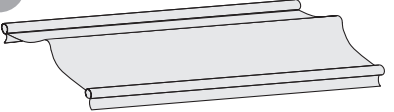
### **Could we do better?**


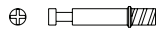







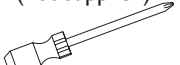
If there is anything you think could be improved in these instructions or in the assembly of this product we'd be grateful if you could let us know; we'll pass any helpful hints and tips on to other customers via our website and update the instructions.

All you need to do is drop us a line at [\*\*instructions@gltc.co.uk\*\*](mailto:instructions@gltc.co.uk)

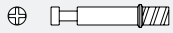
Thank you

# Component Check List

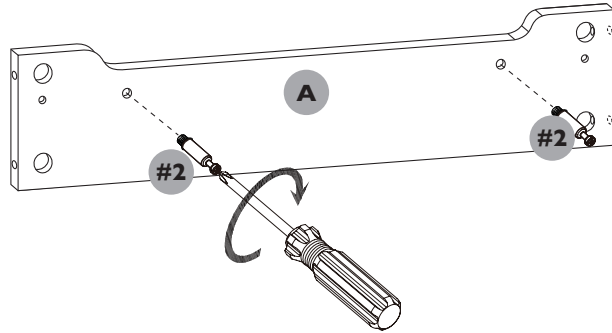
<p><b>A</b></p>  <p>2x</p>	<p><b>B</b></p>  <p>1x</p>	
<p><b>C</b></p>  <p>1x</p>	<p><b>D</b></p>  <p>1x</p>	
<p><b>E</b></p>  <p>2x</p>	<p><b>F</b></p>  <p>1x</p>	<p><b>G</b></p>  <p>1x</p>
<p><b>H</b></p>  <p>1x</p>	<p><b>I</b></p>  <p>1x</p>	
<p><b>J</b></p>  <p>2x</p>	<p><b>K</b></p>  <p>1x</p>	
<p><b>L</b></p>  <p>2x</p>	<p><b>M</b></p>  <p>2x</p>	
<p><b>N</b></p>  <p>1x</p>	<p><b>O</b></p>  <p>1x</p>	

<p><b>#1</b></p>  <p>4x Castors</p>	<p><b>#2</b></p>  <p>20x Cam Dowels 35mmL</p>	<p><b>#3</b></p>  <p>16x Short Screws 10mmL</p>	<p><b>#4</b></p>  <p>30x Dowels 20mmL</p>
<p><b>#5</b></p>  <p>20x Cam Locks 14mm dia</p>	<p><b>#6</b></p>  <p>6x Barrel Nuts 10mmL</p>	<p><b>#7</b></p>  <p>6x Barrel Nut Bolts 42mmL</p>	<p><b>#8</b></p>  <p>4x Long Screws 50mmL</p>
<p><b>#9</b></p>  <p>1x Allen Key</p>	<p>You will need (not supplied)</p>  <p>Phillips Head Screwdriver</p>		

### Hardware for Step 1:



4x #2 cam dowels



### STEP 1:

Attach 2x cam dowels (#2) to both panels A.

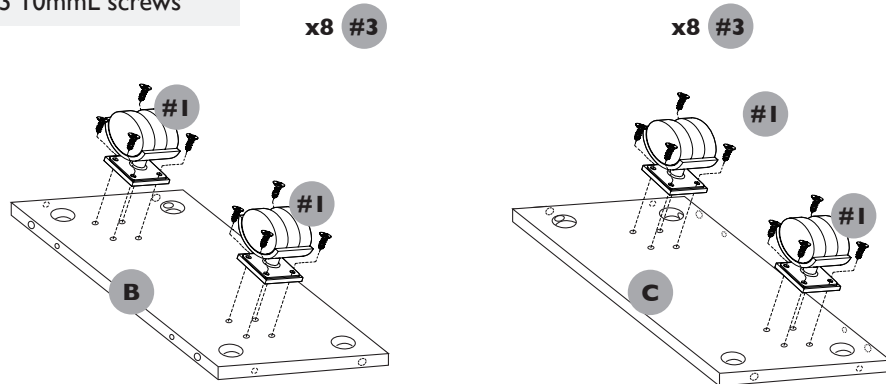
### Hardware for Step 2:



4x #1 castors



16x #3 10mmL screws



### STEP 2:

Attach 2x castors (#1) to panel B using 8x short screws (#3).

Repeat this step for panel C.

### Hardware for Step 3:



2x #5 cam locks

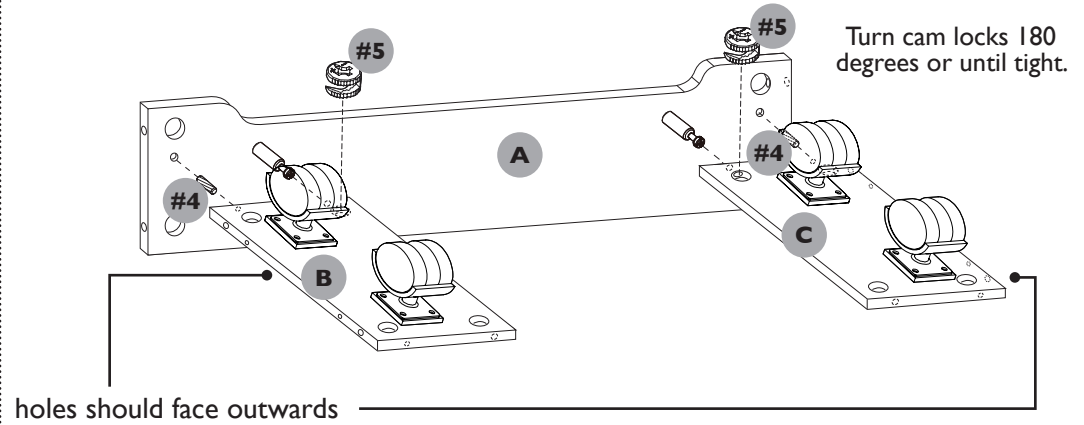


2x #4 dowels

### STEP 3:

Attach assembled panel B to panel A using 1x dowel (#4) and 1x cam lock (#5). Turn cam lock clockwise to lock. Repeat this step for panel C.

When attached correctly the holes on panel B and C should face outwards.



### Hardware for Step 4:



2x #5 cam locks

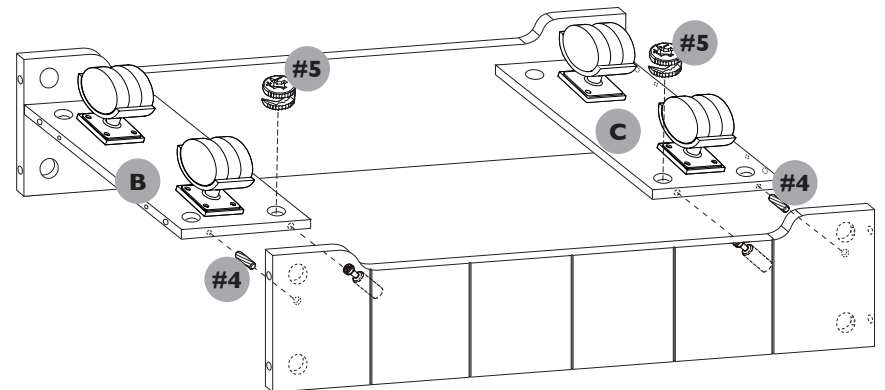


2x #4 dowels

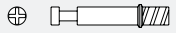
### STEP 4:

Attach the remaining panel A to panels B and C using 2x dowels (#4) and 2x cam locks (#5). Turn cam lock clockwise to lock.

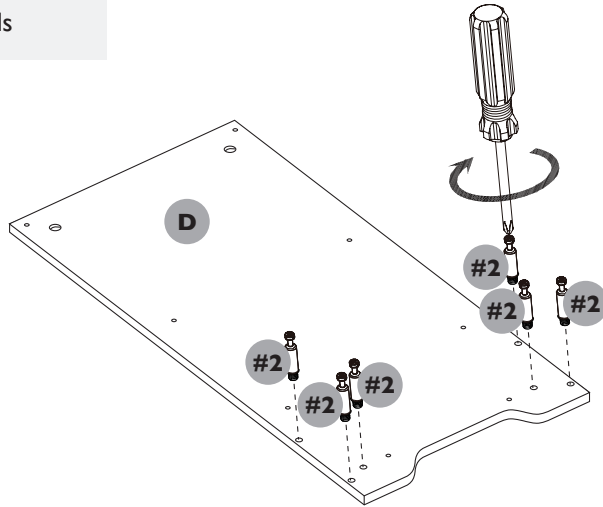
Turn cam locks 180 degrees or until tight.



### Hardware for Step 5:



12x #2 cam dowels



### STEP 5:

Attach 6x cam dowels (#2) to panel D.

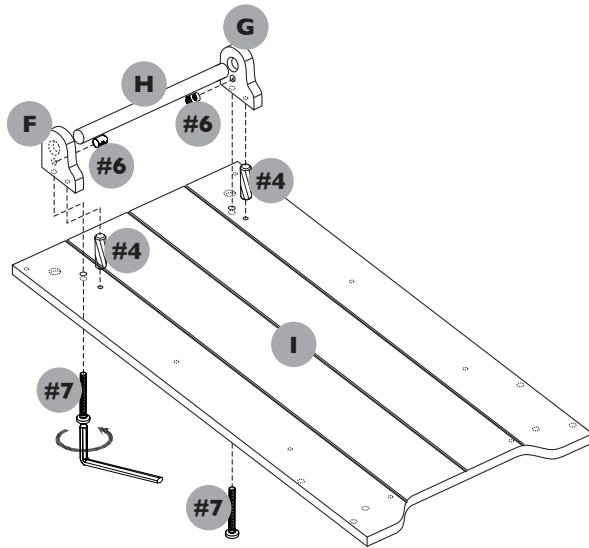
Repeat this step for panel I.

### Hardware for Step 6:

2x #4 dowels

2x #6 barrel nuts

2x #7 barrel nut bolts



### STEP 6:

Loosely attach pieces F and G to panel I using 2x dowels (#4) and 2x barrel nuts and bolts. Now slot rod H between pieces F and G, with the rod in place now fully tighten the barrel nuts and bolts.

### Hardware for Step 7:



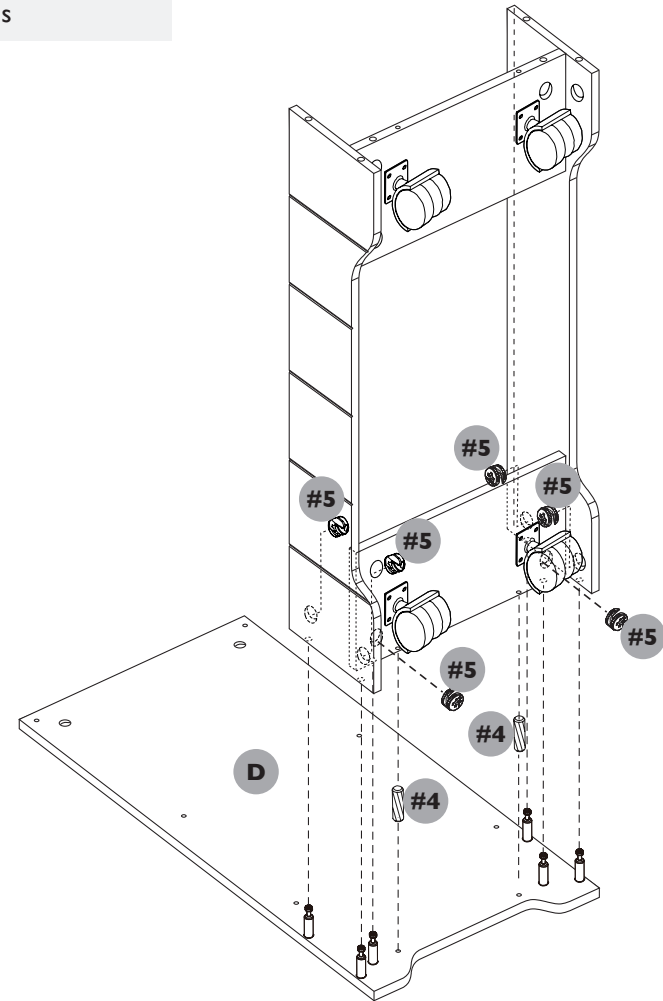
6x #5 cam locks



2x #4 dowels

### STEP 7:

Attach base assembly to panel D using 2x dowels (#4) and 6x cam locks (#5). Turn cam locks clockwise to lock.

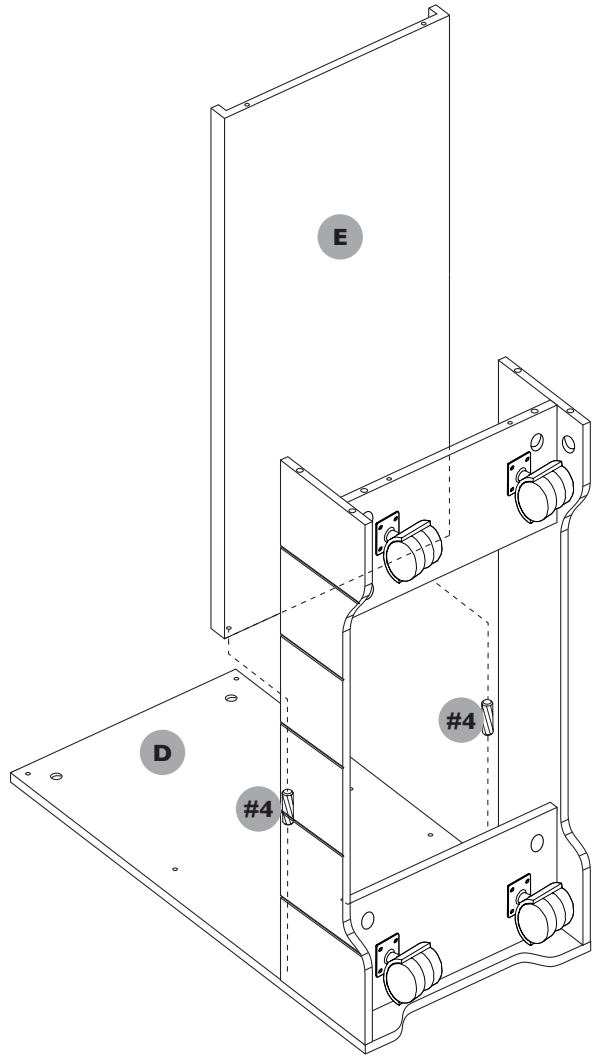


Turn cam locks 180 degrees or until tight.

**Hardware for Step 8:**



2x #4 dowels



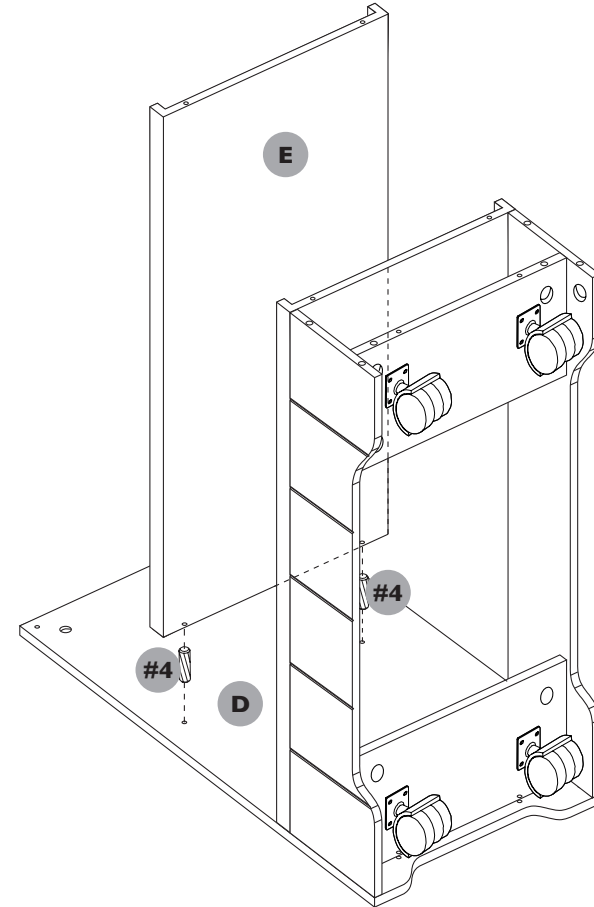
**STEP 8:**

Using 2x dowels (#4) push panel E into panel D.

**Hardware for Step 9:**



2x #4 dowels



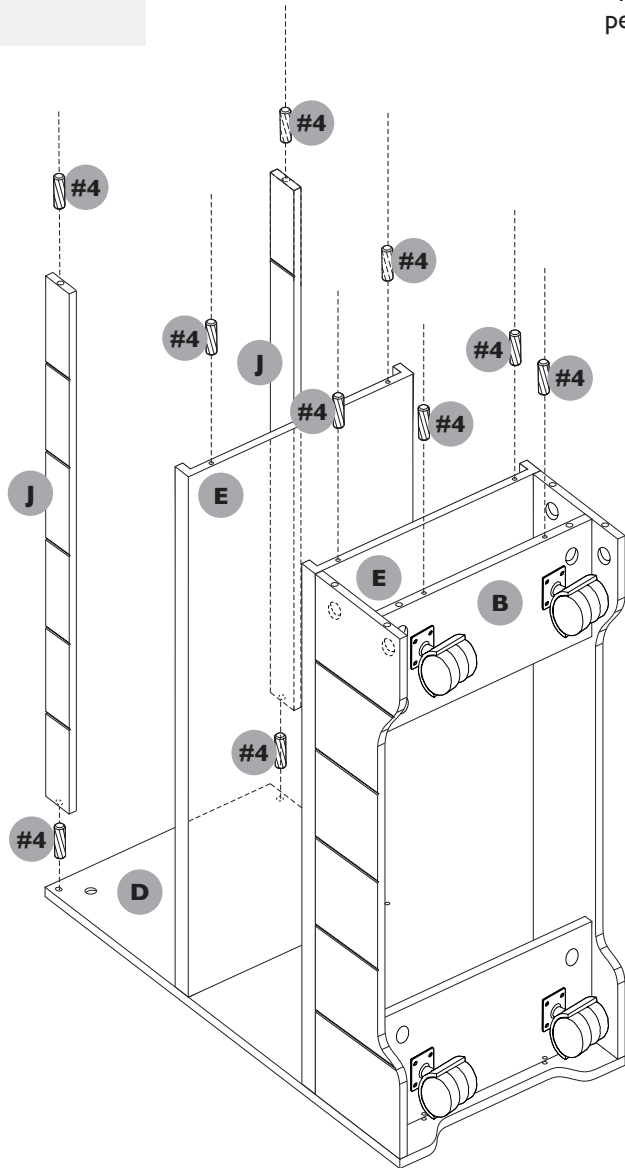
**STEP 9:**

Using 2x dowels (#4) push panel E into panel D.

### Hardware for Step 10:



10x #4 dowels



### STEP 10:

Insert 2x dowels into both ends of both panels J. Now push these into panel D.

Insert 2x dowels into the end of both shelf panels E.

Insert 2x dowels into panel B

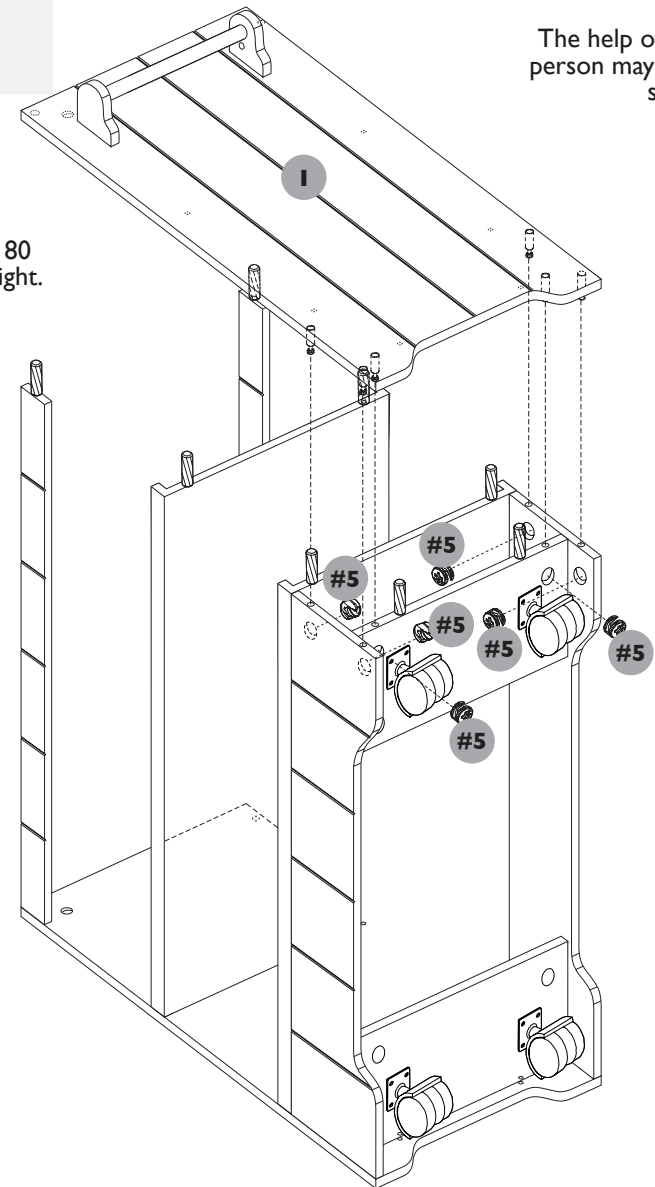


The help of a second person may make this step easier.

### Hardware for Step 11:



6x #5 cam locks



Turn cam locks 180 degrees or until tight.






The help of a second person may make this step easier.

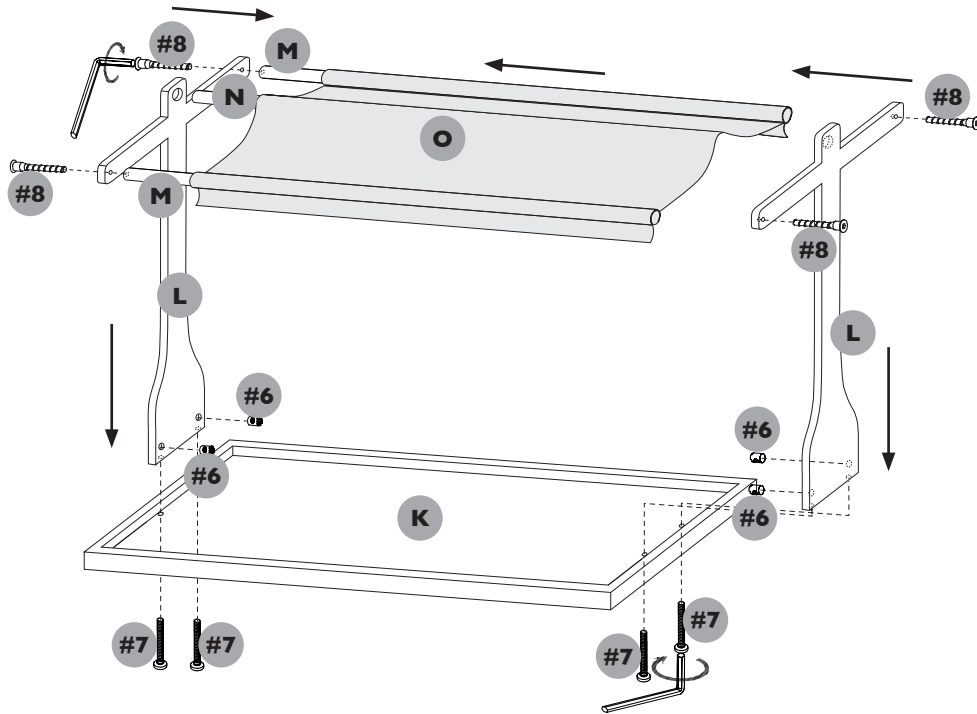
### STEP 11:

You are now ready to secure the base unit. Attach panel I to the assembly using 6x cam locks (#5). Carefully lower panel I onto the assembly, making sure all dowels and cam locks / dowels engage. Turn cam locks clockwise to lock.

Remember to secure all 6 cam locks, 2 of them will be partially hidden once assembled.

### Hardware for Step 12:

-  4x #8 50mmL screws
-  4x #6 barrel nuts
-  4x #7 barrel nut bolts



### STEP 12:

Firstly attach poles 2x M to left hand panel L using 2x screws (#8).  
Now slide the canopy (O) over both poles (M).

With the canopy in place, now slot pole N into left hand panel L.

Now attach right hand panel L to poles M using 2x screws (#8), this action will also secure pole N at the same time.

With the canopy now securely assembled. Place the assembly on its side and attach both panels (L) to base (K) using 4x barrel nuts (#6) and bolts (#7).

### Hardware for Step 13:

-  4x #2 cam dowels



### STEP 13:

Attach 4x cam dowels (#2) to the base of panel K.



**Hardware for Step 14:**



**4x #5 cam locks**

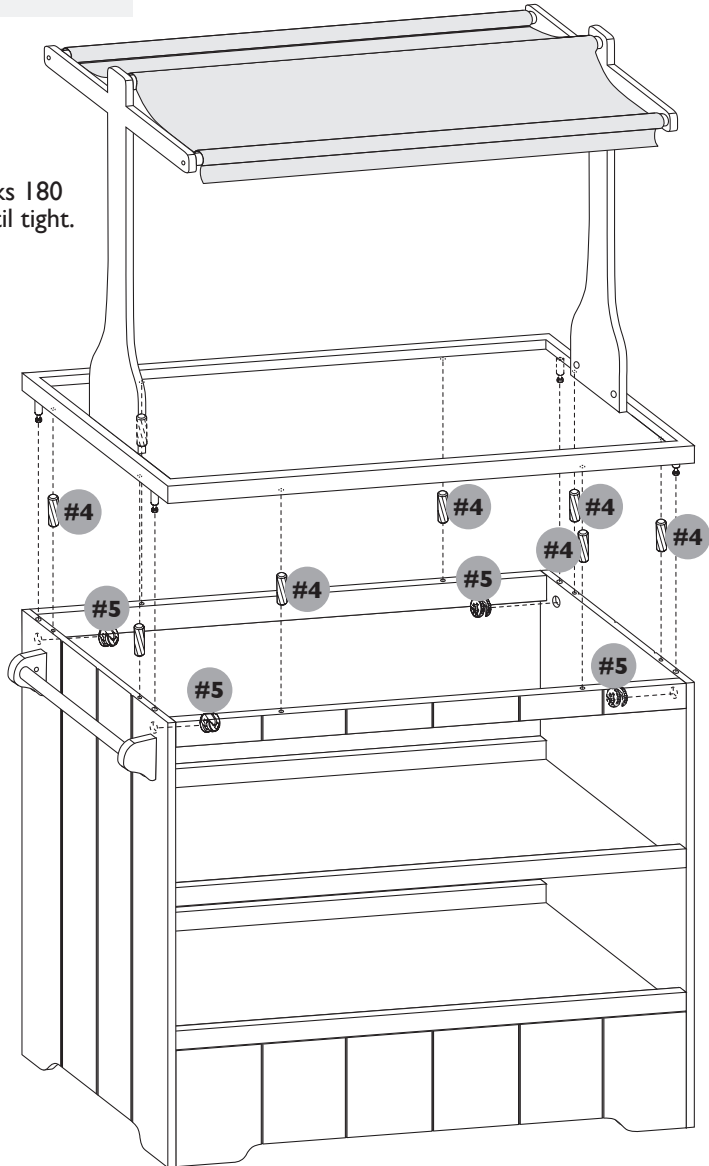


**8x #4 dowels**

**STEP 14:**

Attach the top assembly to the base assembly using 8x dowels (#4) and 4x cam locks (#5). Turn cam locks clockwise to lock.

Turn cam locks 180 degrees or until tight.



The assembly is now complete.

