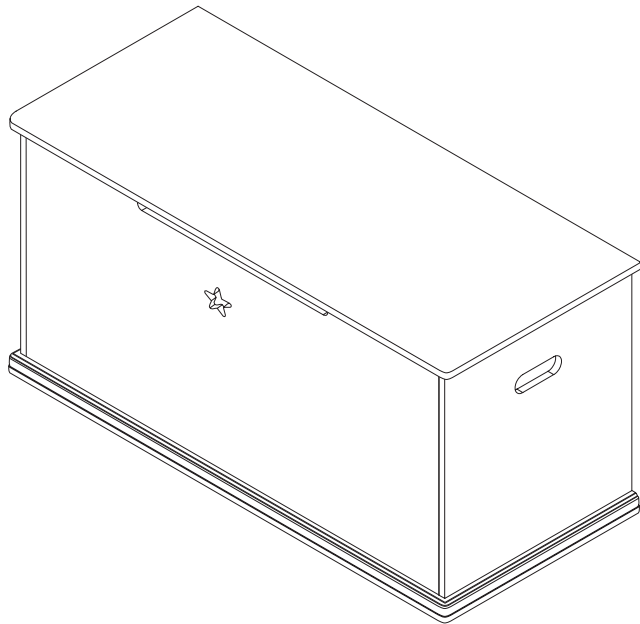


**Great  
Little**  
Trading Co.

gltc.co.uk

## **Star Bright Toy Box L4154**



Assembly Difficulty



easy - medium - hard



two-person job

VI

02/11/2016

**Thank you for shopping with GLTC, we hope you enjoy having this product in your home.**

We know assembling furniture, toys or accessories is not everyone's favourite way to spend their time, so we've tried to make assembling this item as quick and painless as possible.

Hopefully our efforts will have been worthwhile and you'll sail through the whole process. But if it all feels a bit too much like hard work, then we do have an assembly company we can recommend: the Flatpack Construction Company offers a nationwide service and can be contacted on **0843 289 4951** or **www.flatpackconstruction.co.uk**.

### **A few important pointers before you start:**

- Please read the instructions right through before you start, and check that all the components have been included in the pack; we find separating all the hardware into piles makes it easier to be sure that everything is present and correct.
- Make sure you have the right tools. Allen keys are provided if required, but screw drivers and other tools are not. You'll find details of the tools you need at the beginning of the instructions.
- It's a good idea to build the unit in the room where you are going to be using it, to avoid the need to move it after it's been assembled.
- Do not throw away any packing materials until assembly is complete, just in case you accidentally discard smaller parts or hardware.

### **Safety Warnings:**

- Adult assembly required.
- Unassembled product contains small parts which may present a choking hazard.
- Children should be kept away from the product during assembly to avoid any possible risk of injury.
- Assemble and use on a flat and level surface.
- DO NOT use power tools in the assembly of this product as there is a risk of over-tightening and consequently splitting of the wood.
- IMPORTANT! The lid support mechanism must be installed correctly to ensure that entrapment risks are not present. Check to make sure the lid support is correctly installed by moving the lid up and down. When you let go of the lid it should stop not fall or slam shut.
- Check all fixtures and fittings regularly and tighten as necessary.
- Please retain these instructions for future reference.

### **Customer Service:**

- If you find that any components are missing or damaged, please do not begin assembly and do not use the item. Please contact GLTC Customer Services on **0344 848 6000** immediately.
- We do stock spare hardware packs at our warehouse, so we should be able to send you a replacement pack immediately if required.

### **Product Care:**

- Wipe clean using a soft damp cloth followed by a dry cloth.
- Do NOT use cleaning products which contain ammonia, solvents or abrasive material.
- Do NOT expose the item to extremes of heat and humidity.

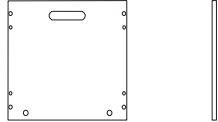
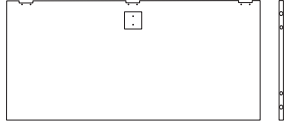
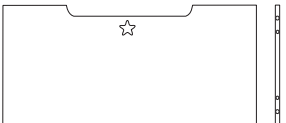
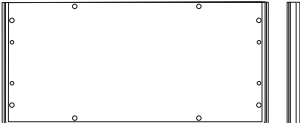
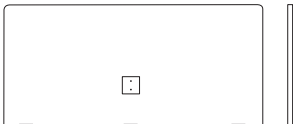
### **Could we do better?**

If there is anything you think could be improved in these instructions or in the assembly of this product we'd be grateful if you could let us know; we'll pass any helpful hints and tips on to other customers via our website and update the instructions.

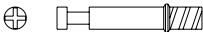
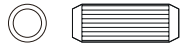
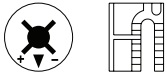


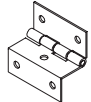


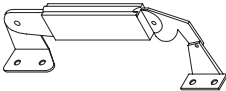

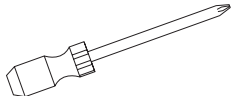
All you need to do is drop us a line at [instructions@gltc.co.uk](mailto:instructions@gltc.co.uk)

Thank you

## Component Check List

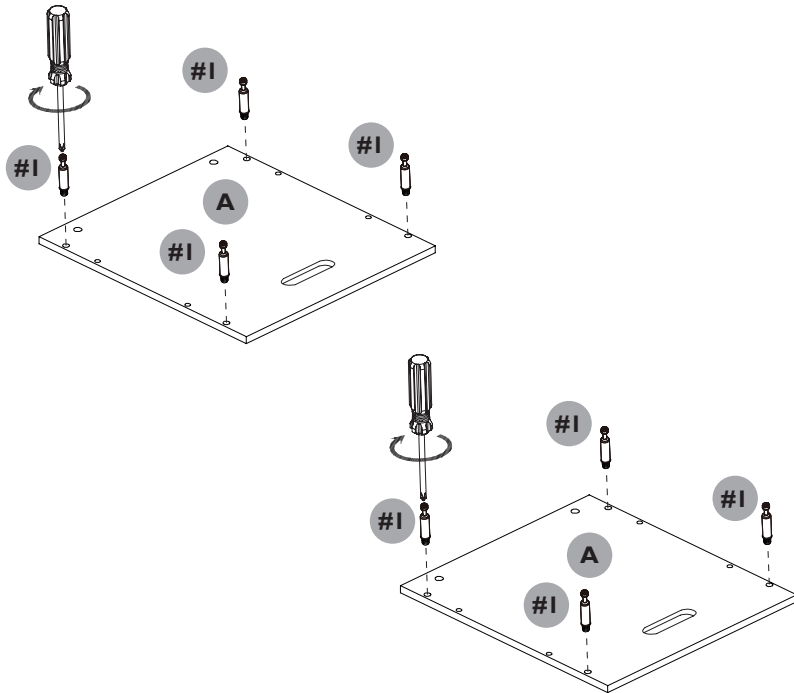
<p><b>A</b></p>  <p>2x Side Panels</p>	<p><b>B</b></p>  <p>1x Back Panel</p>
<p><b>C</b></p>  <p>1x Front Panel</p>	<p><b>D</b></p>  <p>1x Base Plinth</p>
<p><b>E</b></p>  <p>1x Lid Panel</p>	

## Component Check List

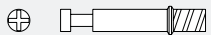
<p><b>#1</b></p>  <p>10x Cam Dowels 35mmL</p>	<p><b>#2</b></p>  <p>12x Wooden Dowels 20mmL</p>
<p><b>#3</b></p>  <p>10x Cam Locks 14mm Diameter</p>	<p><b>#4</b></p>  <p>6x Barrel Nuts 10mm Diameter</p>
<p><b>#5</b></p>  <p>6x Threaded Bolts 42mmL</p>	<p><b>#6</b></p>  <p>3x Hinges</p>
<p><b>#7</b></p>  <p>15x Screws 12mmL</p>	<p><b>#8</b></p>  <p>4x Screws 25mmL</p>
<p><b>#9</b></p>  <p>1x Safety Hinge</p>	<p><b>#10</b></p>  <p>1x Allen Key</p>
<p>You will need (not supplied)</p>  <p>Phillips Head Screwdriver</p>	

## STEP 1:

Insert 4x cam dowels (#1) into the outer drill holes on the 2x side panels A as shown below.



### Hardware for Step 1:

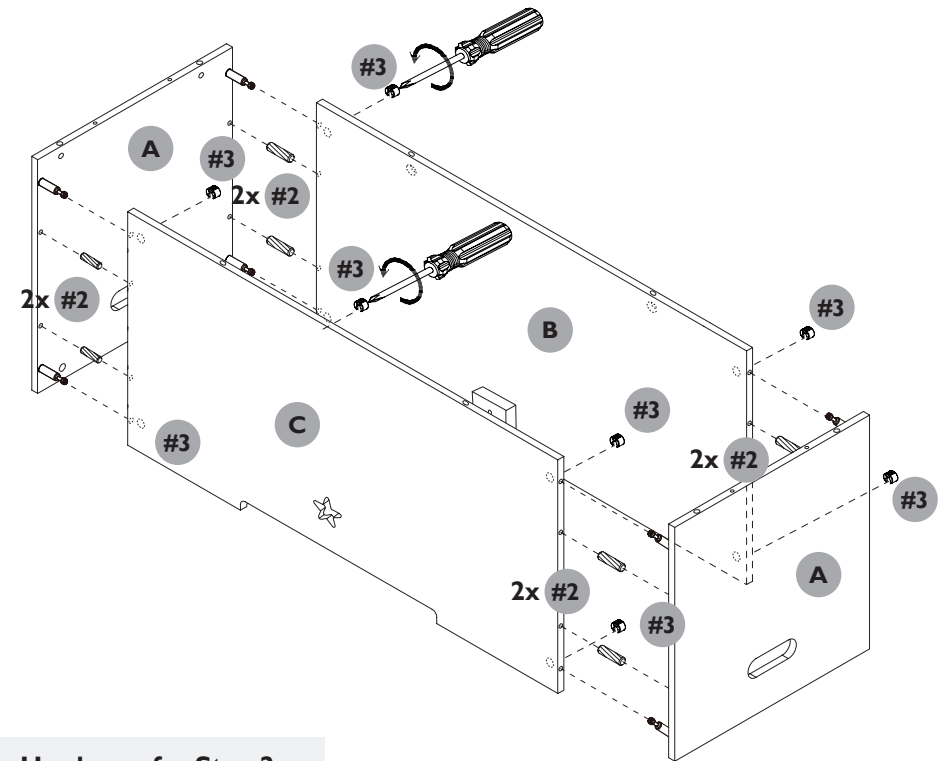


8x #1 Cam Dowels

## STEP 2:

Build the unit top down on a protective surface. Handles, hinge block and cutout details all to be at the bottom.

Attach the 2 side panels A to back panel B and front panel C using wooden dowels and cam locks. Secure in place by turning the cam locks clockwise.



### Hardware for Step 2:



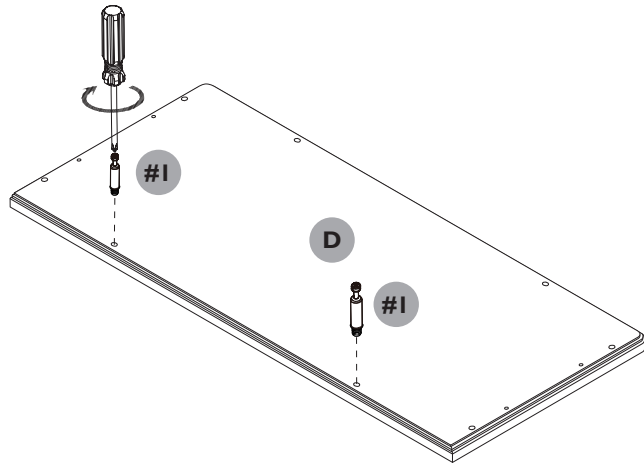
8x #3 Cam Locks



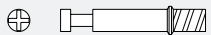
8x #2 Wooden Dowels

### STEP 3:

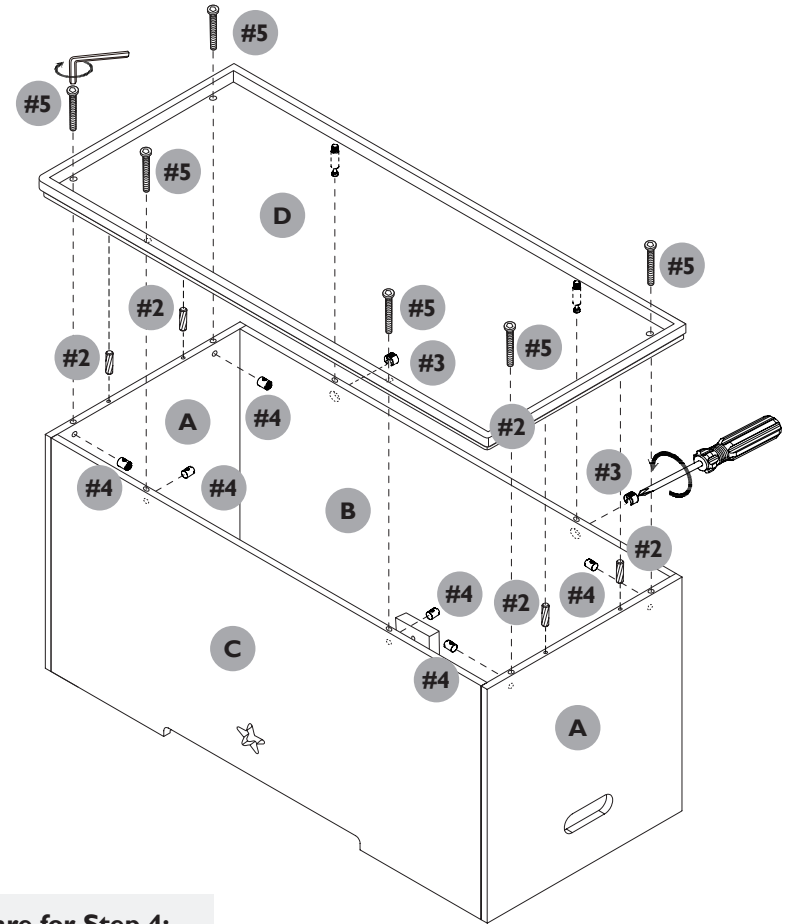
Insert 2x cam dowels (#1) into the drill holes on the back edge of the base plinth D as shown below.



#### Hardware for Step 3:



2x #1 Cam Dowels



#### Hardware for Step 4:



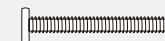
4x #2 Wooden Dowels



2x #3 Cam Locks



6x #4 Barrel Nuts



6x #5 Bolts

### STEP 4:

**IMPORTANT:** Two people are needed to complete the next step safely.

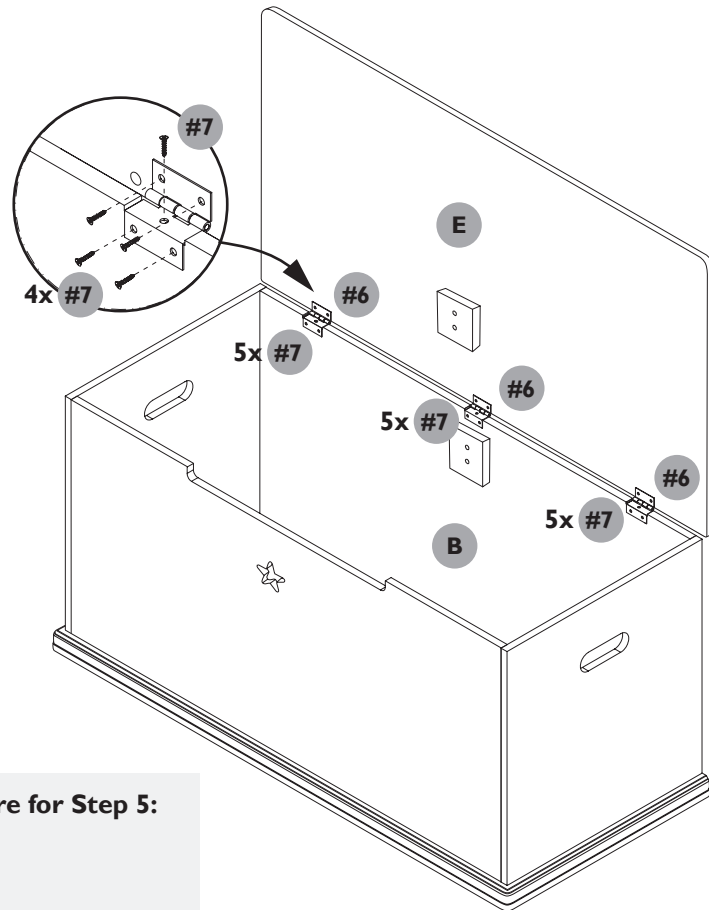
Insert the barrel nuts (#4) into the side and front panels. Position base plinth D onto the upside down unit using 4x wooden dowels (#2) and then insert 6x bolts (#5). Tighten fully with the Allen key.

With the assistance of a second person turn the unit over then fit 2x cam locks (#3) into the back panel B and turn clockwise to lock.

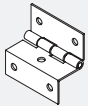
## STEP 5:

**IMPORTANT:** Two people are needed to complete the next step safely.

With the assistance of a second person to hold the lid panel E in place fit the 3x hinges (#4) using the shortest screws (#4).



### Hardware for Step 5:



3x #3 Hinges

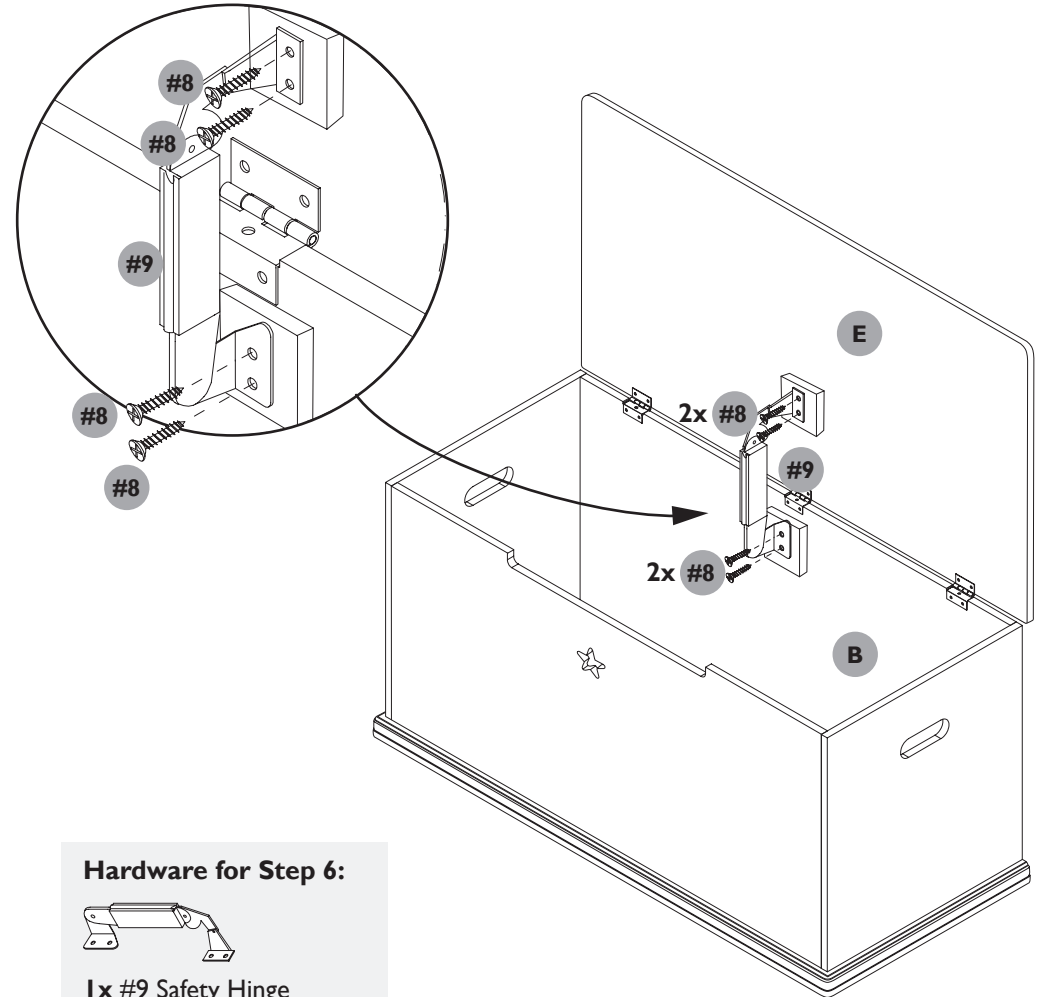


15x #7 12mmL Screws

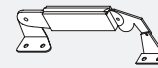
## STEP 6:

**IMPORTANT:** Two people are needed to complete the next step safely.

With the assistance of a second person to hold the lid panel E in place, secure the safety hinge.



### Hardware for Step 6:



1x #9 Safety Hinge



4x #8 25mmL Screws