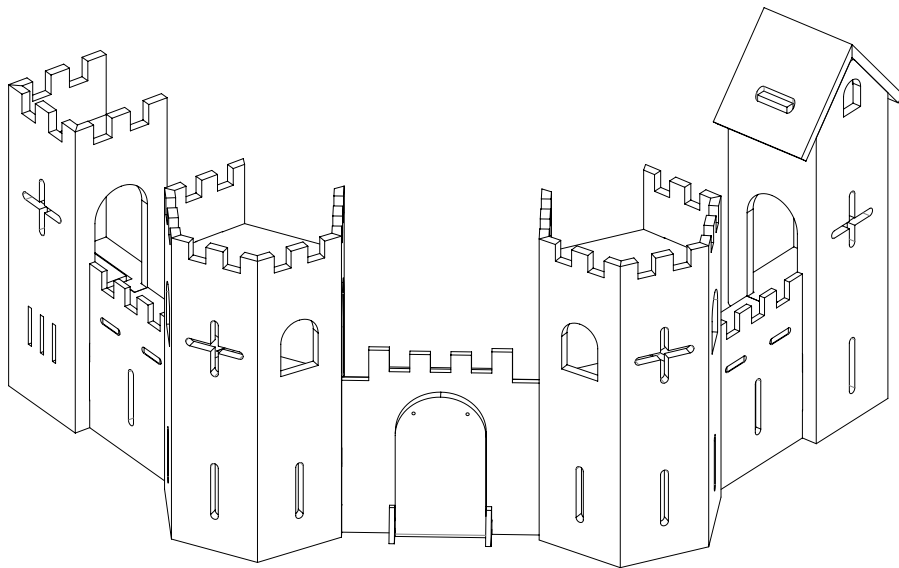


**Great
Little**
Trading Co.

gltc.co.uk

Beaumont Castle L4020



Assembly Difficulty



easy - medium - hard



one-person job

VI

01/08/2016

Thank you for shopping with GLTC, we hope you enjoy having this product in your home.

We know assembling furniture, toys or accessories is not everyone's favourite way to spend their time, so we've tried to make assembling this item as quick and painless as possible.

Hopefully our efforts will have been worthwhile and you'll sail through the whole process. But if it all feels a bit too much like hard work, then we do have an assembly company we can recommend: the Flatpack Construction Company offers a nationwide service and can be contacted on **0843 289 4951** or **www.flatpackconstruction.co.uk**.

A few important pointers before you start:

- Please read the instructions right through before you start, and check that all the components have been included in the pack; we find separating all the hardware into piles makes it easier to be sure that everything is present and correct.
- Make sure you have the right tools. Allen keys are provided if required, but screw drivers and other tools are not. You'll find details of the tools you need at the beginning of the instructions.
- It's a good idea to build the unit in the room where you are going to be using it, to avoid the need to move it after it's been assembled.
- Do not throw away any packing materials until assembly is complete, just in case you accidentally discard smaller parts or hardware.

Safety Warnings:

- Adult assembly required.
- Remove all packaging before giving this Toy to a child.
- Not suitable for children under 3 years due to small parts and small balls that may present a choking hazard.
- Check item regularly for signs of damage which may make the product unsafe.
- Complies to the European Toy Safety Directive.
- Please retain these instructions for future reference.

Customer Service:

- If you find that any components are missing or damaged, please do not begin assembly and do not use the item. Please contact GLTC Customer Services on **0344 848 6000** immediately.
- We do stock spare hardware packs at our warehouse, so we should be able to send you a replacement pack immediately if required.

Product Care:

- Wipe clean using a soft damp cloth followed by a dry cloth.
- Do NOT use cleaning products which contain ammonia, solvents or abrasive material.
- Do NOT expose the item to extremes of heat and humidity.

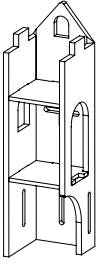
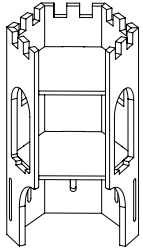
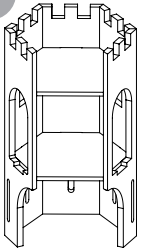
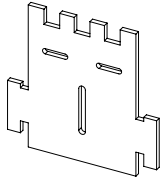
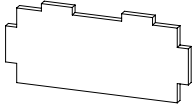
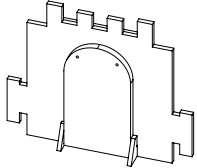
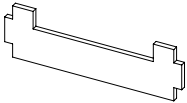
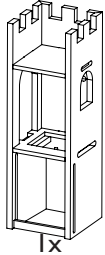
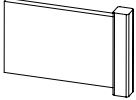
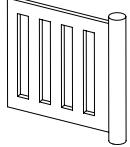
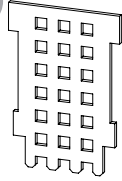
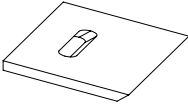
Could we do better?

If there is anything you think could be improved in these instructions or in the assembly of this product we'd be grateful if you could let us know; we'll pass any helpful hints and tips on to other customers via our website and update the instructions.

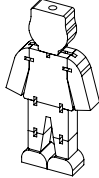
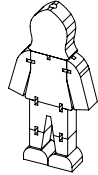
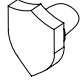

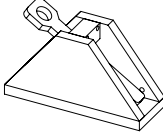
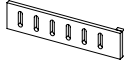
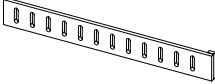

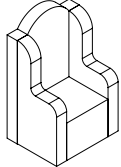
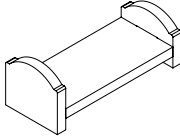
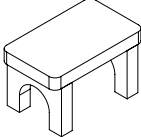
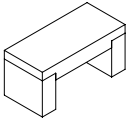
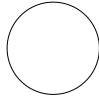
All you need to do is drop us a line at **instructions@gltc.co.uk**

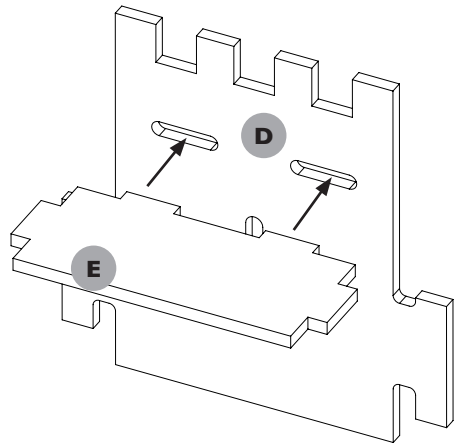
Thank you

Component Check List

<p>A</p>  <p>1x</p>	<p>B</p>  <p>1x</p>	<p>C</p>  <p>1x</p>	<p>D</p>  <p>2x</p>
<p>E</p>  <p>2x</p>	<p>F</p>  <p>1x</p>	<p>G</p>  <p>1x</p>	<p>H</p>  <p>1x</p>
<p>I</p>  <p>1x</p>	<p>J</p>  <p>1x</p>	<p>K</p>  <p>1x</p>	<p>L</p>  <p>2x</p>

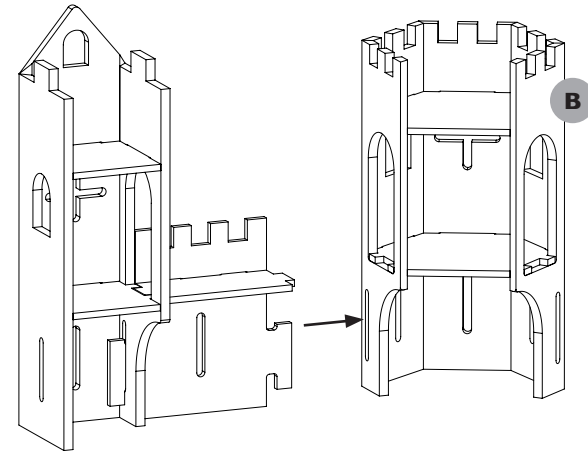
Accessory Check List

 <p>1x King</p>	 <p>2x Knights</p>	 <p>3x Shields</p>	 <p>3x Swords</p>
 <p>1x Catapult</p>	 <p>1x Short Ladder</p>	 <p>1x Long Ladder</p>	 <p>3x Flags</p>
 <p>1x Throne</p>	 <p>1x Bed</p>	 <p>1x Table</p>	 <p>2x Chairs</p>
 <p>3x Balls</p>			



STEP 1:

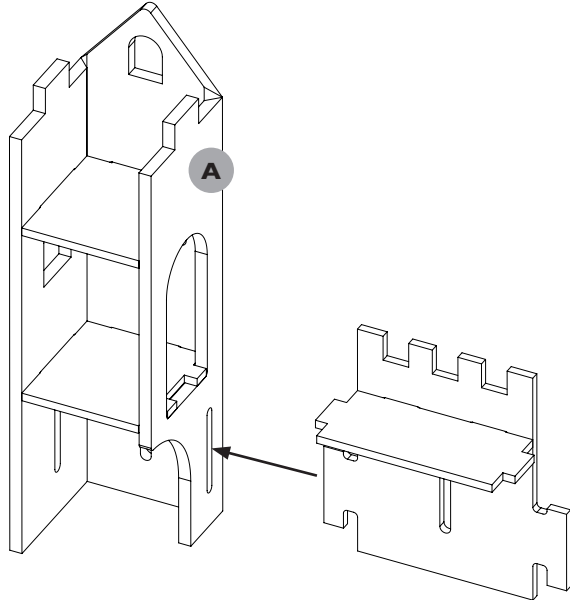
Insert walkway (E) into the wall (D). The walkway should be inserted on the 'inside' of the wall artwork. Repeat this step for the other walkway and wall.



STEP 3:

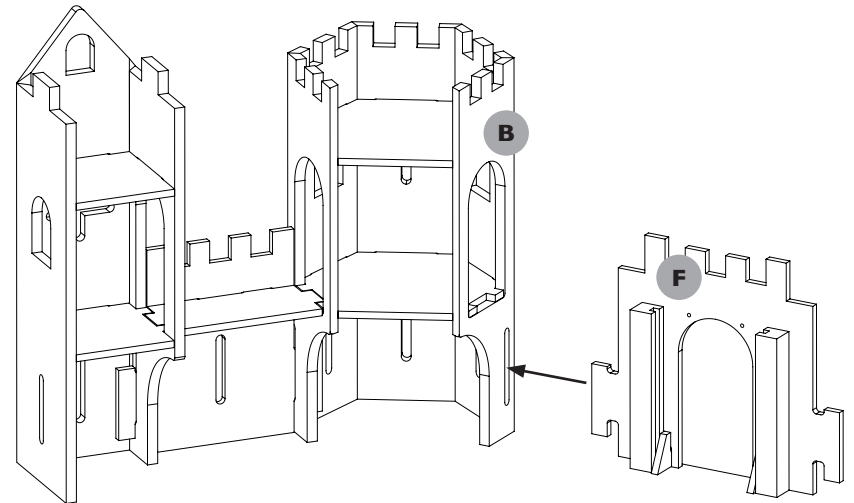
Connect the assembly from step two to tower (B)*

*Please note it does not matter whether you use tower (B) or (C), the only difference between the two towers is the room artwork.



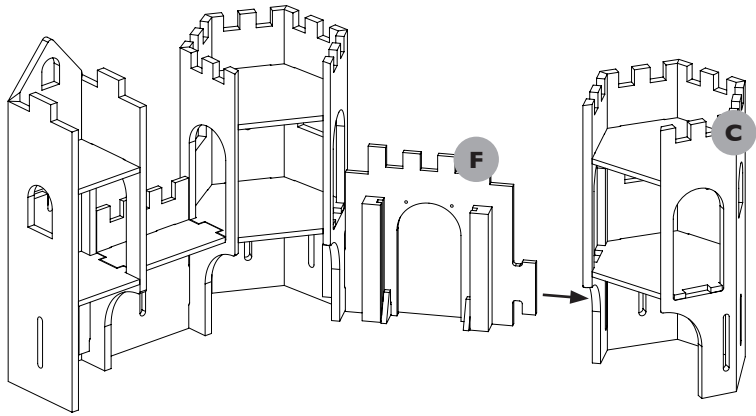
STEP 2:

Insert the assembled wall section into the tower (A).



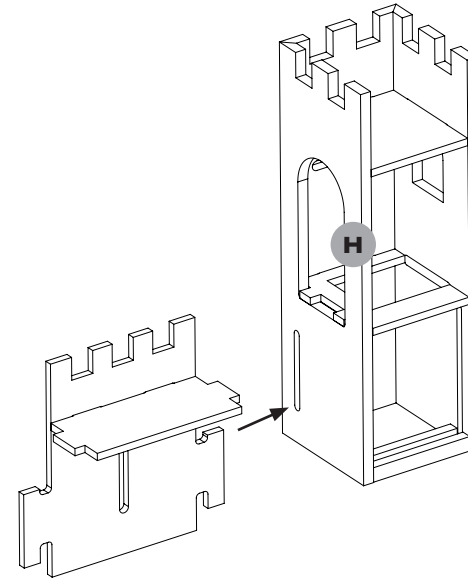
STEP 4:

Insert the gate (F) into tower (B).



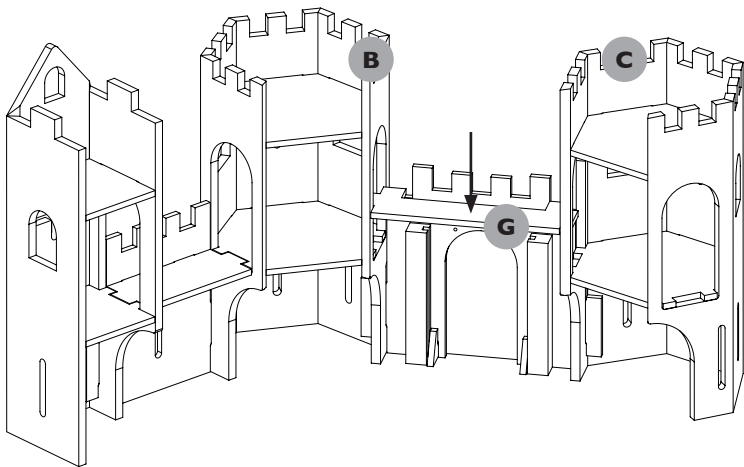
STEP 5:

Connect tower (C) to the gate (F),



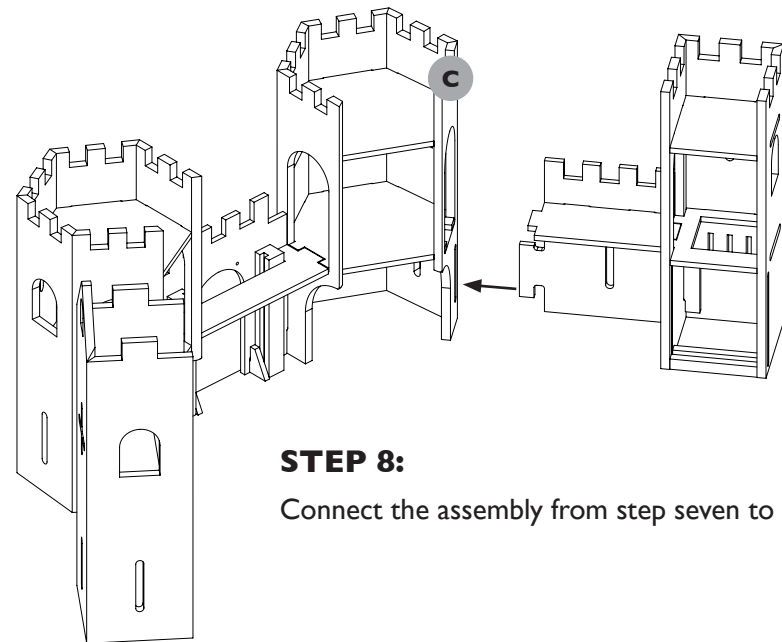
STEP 7:

Connect the assembly from step two to tower (H).



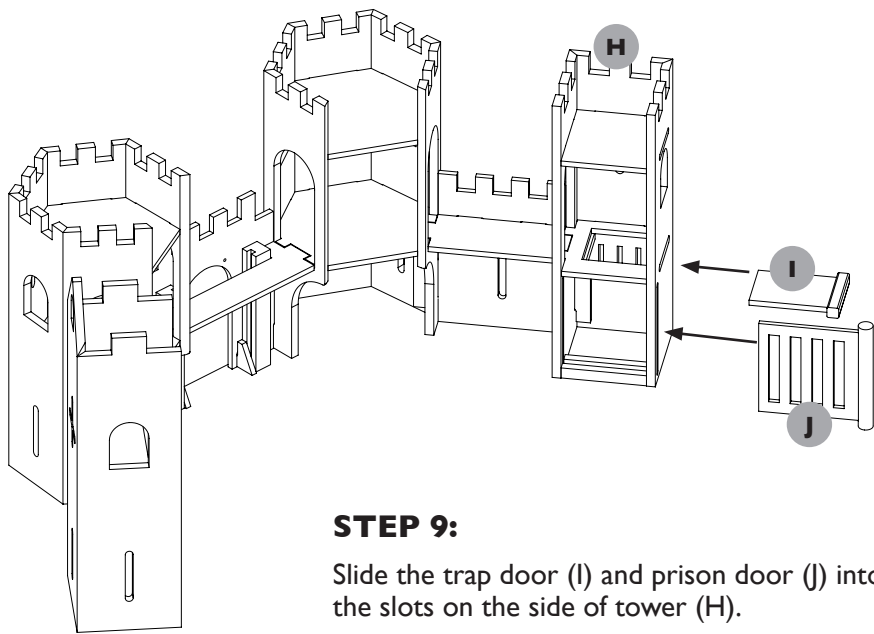
STEP 6:

Place the gate walkway (G) between towers (B) and (C).



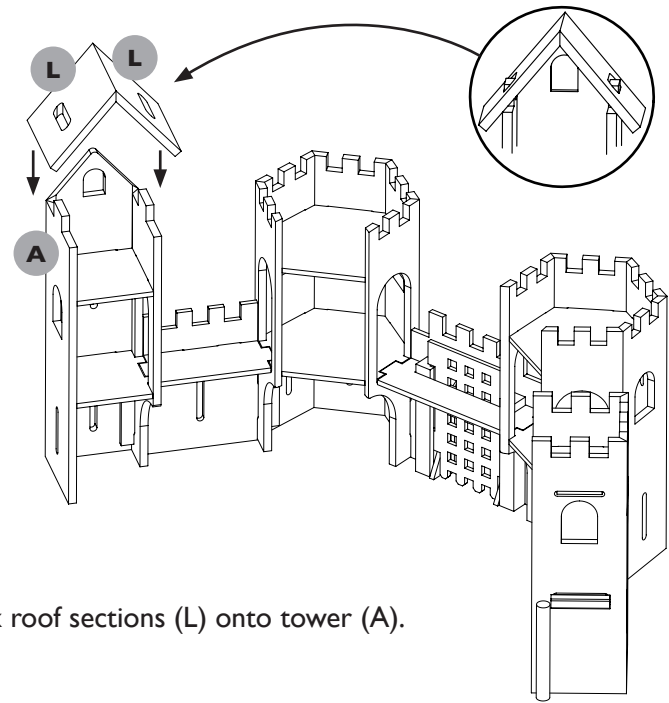
STEP 8:

Connect the assembly from step seven to tower (C).



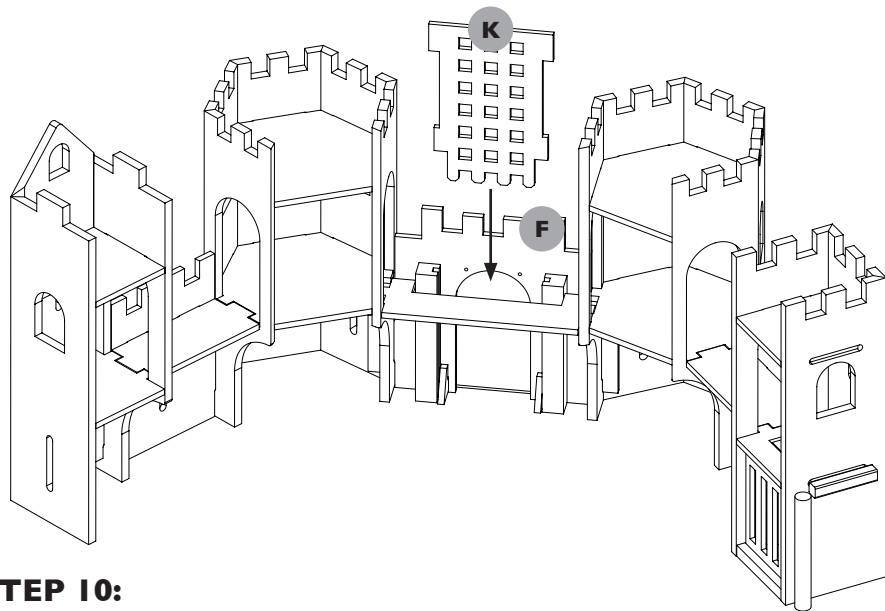
STEP 9:

Slide the trap door (I) and prison door (J) into the slots on the side of tower (H).



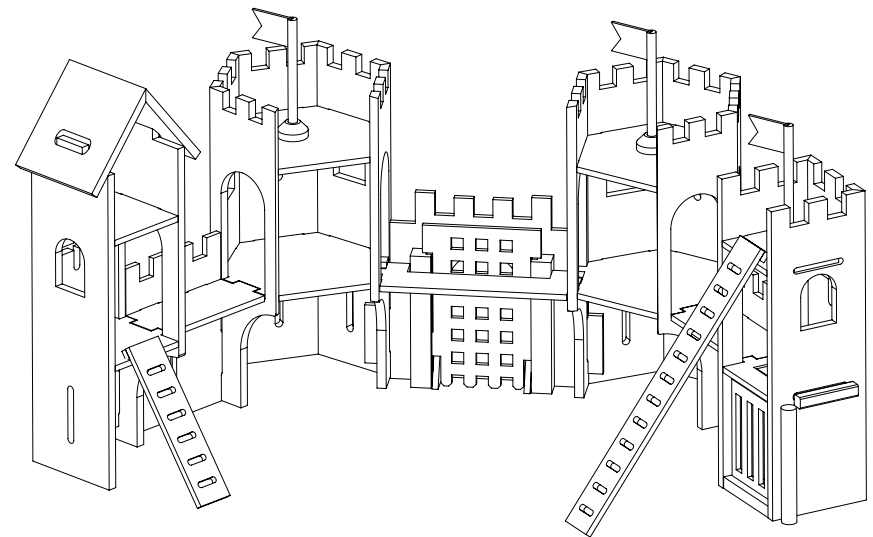
STEP 11:

Insert the 2x roof sections (L) onto tower (A).



STEP 10:

Slide the portcullis (K) into the grooves on gate panel (F).



STEP 12:

The assembly is now complete. The accessories can be positioned as you like.