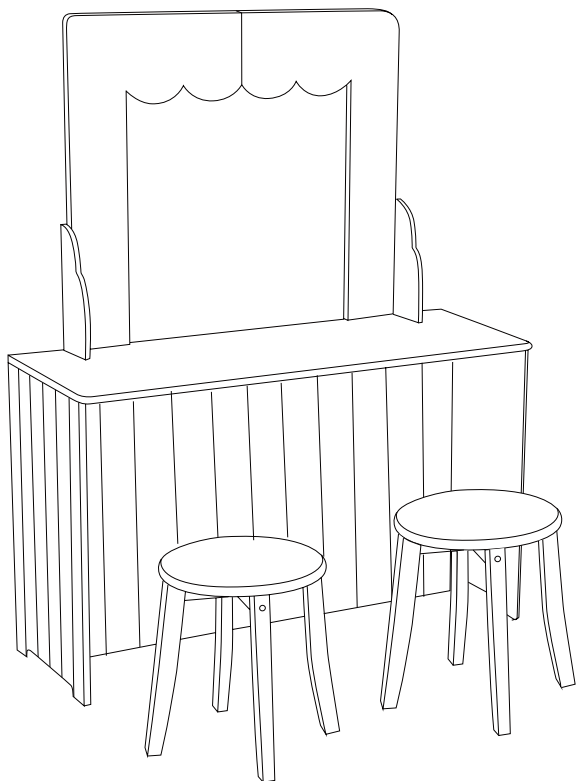




gltc.co.uk

Teacup Café L3618



Assembly Difficulty



easy - medium - hard



one-person job

V2

06/06/2016

Thank you for shopping with GLTC, we hope you enjoy having this product in your home.

We know assembling furniture, toys or accessories is not everyone's favourite way to spend their time, so we've tried to make assembling this item as quick and painless as possible.

Hopefully our efforts will have been worthwhile and you'll sail through the whole process. But if it all feels a bit too much like hard work, then we do have an assembly company we can recommend: the Flatpack Construction Company offers a nationwide service and can be contacted on **0843 289 4951** or **www.flatpackconstruction.co.uk**.

Good luck!

A few important pointers before you start:

- It might be worth checking on our website that there are no updates or revisions to these instructions (if we have had helpful feedback from other customers we pass it on via the product web page). Simply check the date and version number on the front of this leaflet against that of any site updates.
- Please read the instructions right through before you start, and check that all the components have been included in the pack; we find separating all the hardware into piles makes it easier to be sure that everything is present and correct.
- Make sure you have the right tools. Allen keys are provided if required, but screw drivers and other tools are not. You'll find details of the tools you need at the beginning of the instructions.
- It's a good idea to build the unit in the room where you are going to be using it, to avoid the need to move it after it's been assembled.
- Do not throw away any packing materials until assembly is complete, just in case you accidentally discard smaller parts or hardware.

Safety Warnings:

- Adult assembly required.
- Children should be kept away from the product during assembly to avoid any possible risk of injury.
- Do not use power tools in the assembly of this product.
- To avoid possible injury - do not allow children to climb on the product.
- Assemble and use on a flat and level surface.
- Check all fixtures and fittings regularly and tighten as necessary.
- Please retain these instructions for future reference.

Customer Service:

- If you find that any components are missing or damaged, please do not begin assembly and do not use the item. Please contact GLTC Customer Services on **0344 848 6000** immediately.
- We do stock spare hardware packs at our warehouse, so we should be able to send you a replacement pack immediately if required.

Product Care:

- Wipe clean using a soft damp cloth followed by a dry cloth.
- Do NOT use cleaning products which contain ammonia, solvents or abrasive material.
- Do NOT expose the item to extremes of heat and humidity.

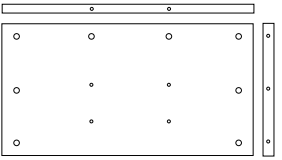
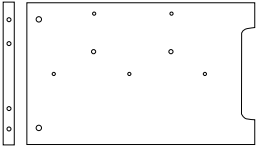
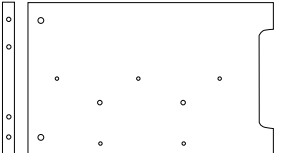
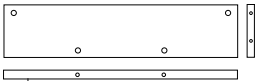
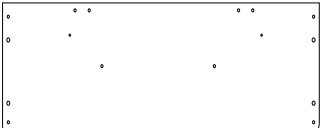


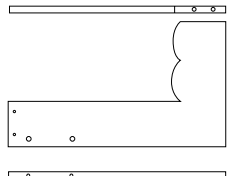
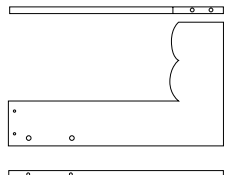
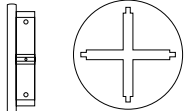

Could we do better?

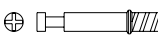







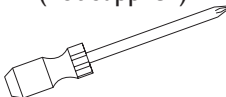
If there is anything you think could be improved in these instructions or in the assembly of this product we'd be grateful if you could let us know; we'll pass any helpful hints and tips on to other customers via our website and update the instructions.

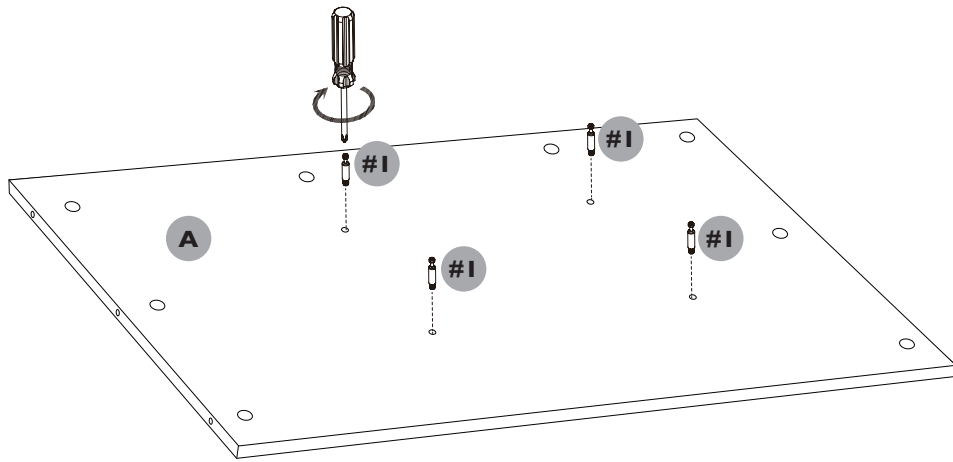
All you need to do is drop us a line at **instructions@gltc.co.uk**

Thank you

Component Check List

<p>A</p>  <p>1 x Front Panel</p>	<p>B</p>  <p>1 x Left Side Panel</p>
<p>C</p>  <p>1 x Right Side Panel</p>	<p>D</p>  <p>2 x Shelf Panels</p>
<p>E</p>  <p>1 x Top Panel</p>	<p>F</p>  <p>1 x Right Upstand</p>
<p>G</p>  <p>1 x Left Upstand</p>	<p>H</p>  <p>1 x Right Hand Panel</p>
<p>I</p>  <p>1 x Left Hand Panel</p>	<p>J</p>  <p>2 x Stool Seats</p>
<p>K</p>  <p>8 x Stool Legs</p>	

<p>#1</p>  <p>24x Cam Dowels 35mmL</p>	<p>#2</p>  <p>24x Cam Locks 14mm Dia</p>
<p>#3</p>  <p>10x Wooden Dowels 25mmL</p>	<p>#4</p>  <p>2x Screws 25mmL</p>
<p>#5</p>  <p>12x Barrel Nuts 9mm Dia</p>	<p>#6</p>  <p>4x Short Bolts 53mmL</p>
<p>#7</p>  <p>8x Long Bolts 66mmL</p>	<p>#8</p>  <p>1x Allen Key</p>
<p>You will need (not supplied)</p>  <p>Phillips Head Screwdriver</p>	



Hardware for Step 1:

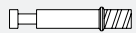


4x #1 35mmL cam dowels

STEP 1:

Prepare the front panel (A).

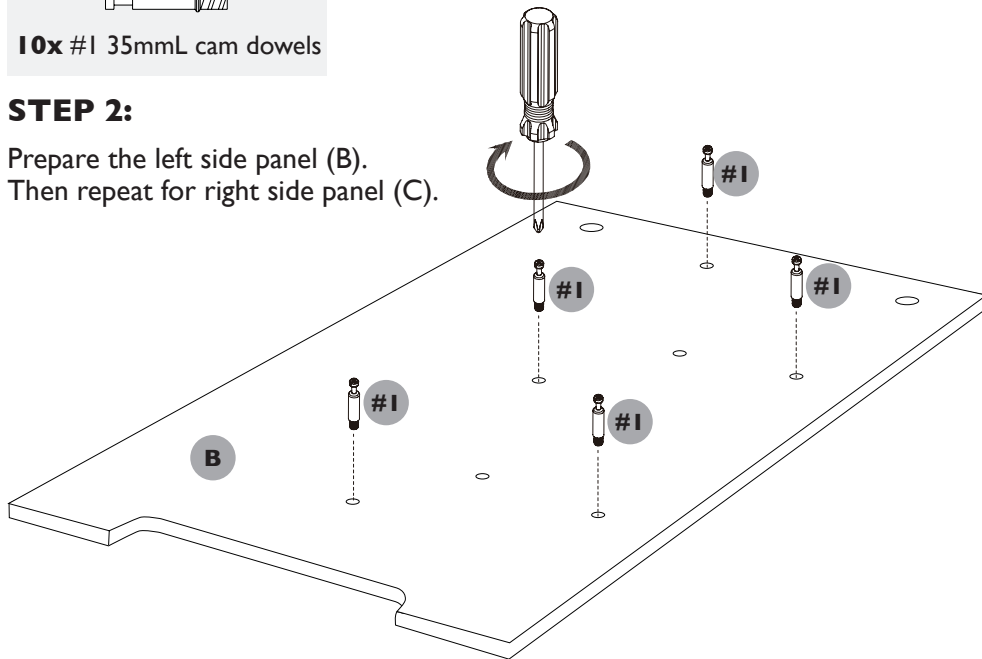
Hardware for Step 2:



10x #1 35mmL cam dowels

STEP 2:

Prepare the left side panel (B).
Then repeat for right side panel (C).



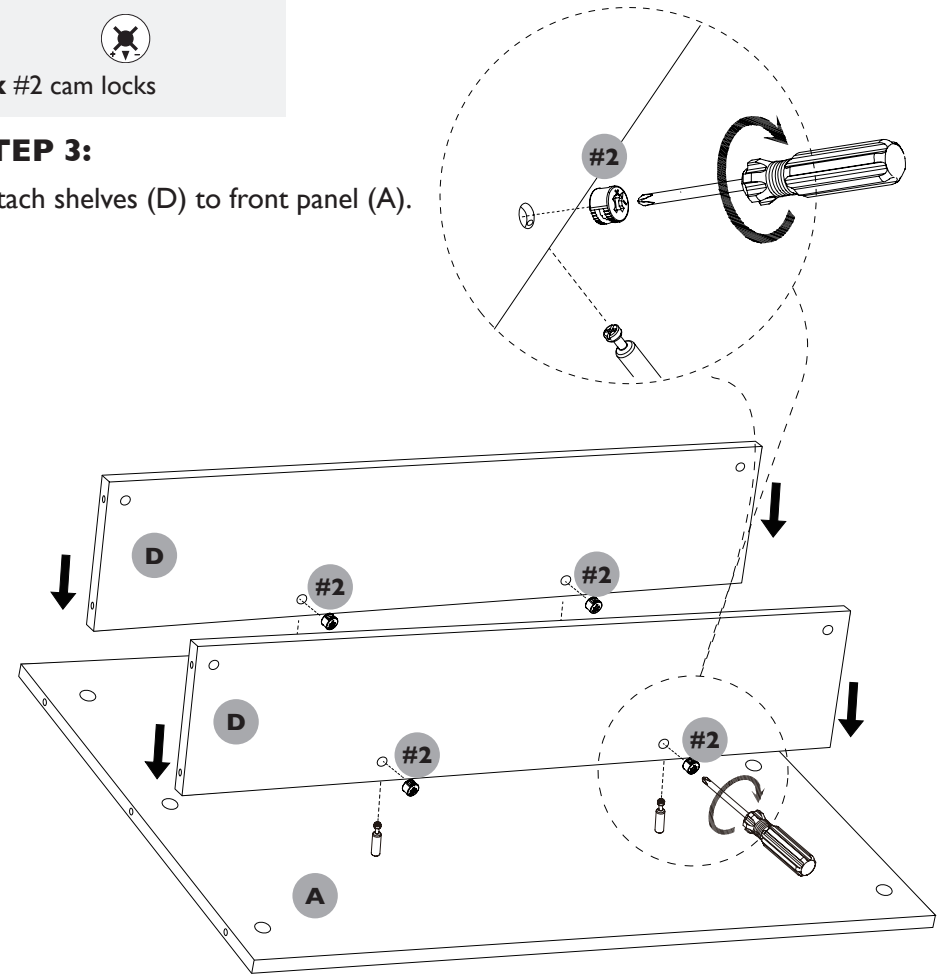
Hardware for Step 3:



4x #2 cam locks

STEP 3:

Attach shelves (D) to front panel (A).



Note: Do not use power tools. Turn each of the cam locks (#2) clockwise to lock them.

Hardware for Step 4:



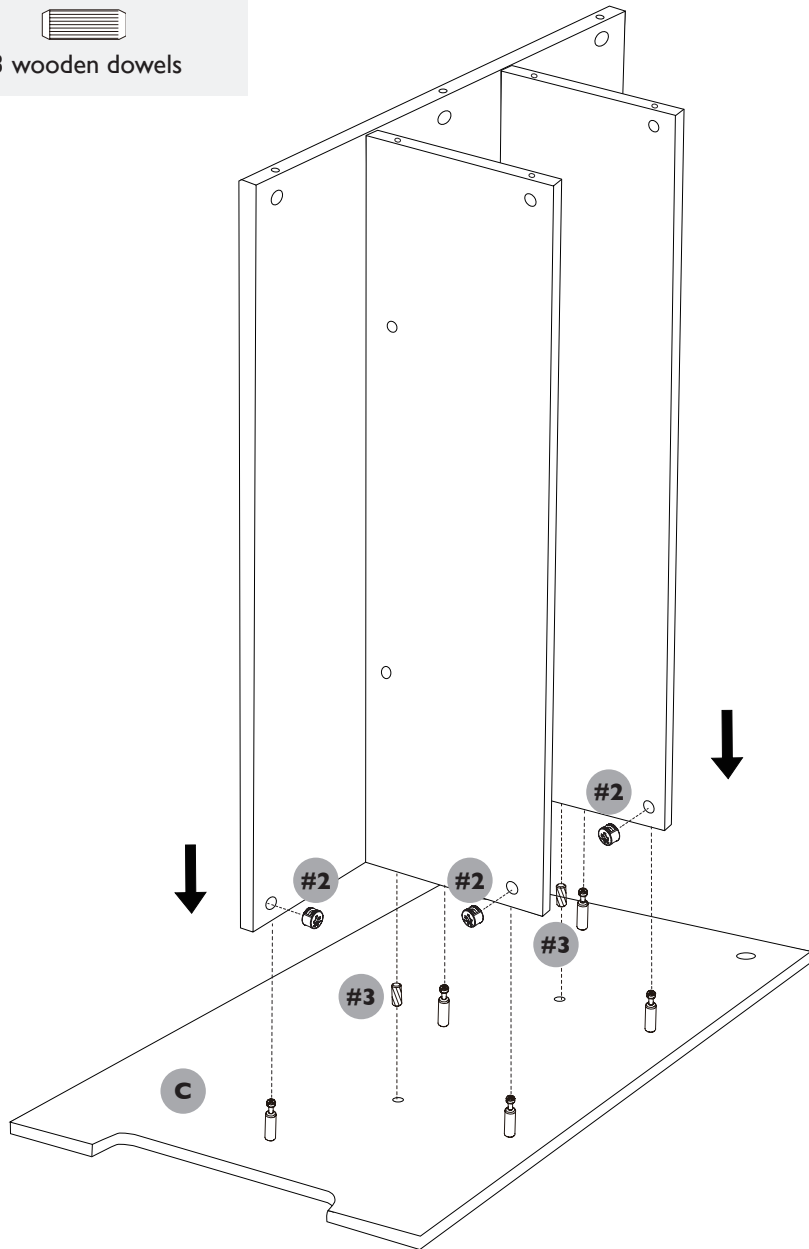
5x #2 cam locks



2x #3 wooden dowels

STEP 4:

Attach the assembled shelves and front panel to the right side panel (C).



Hardware for Step 5:



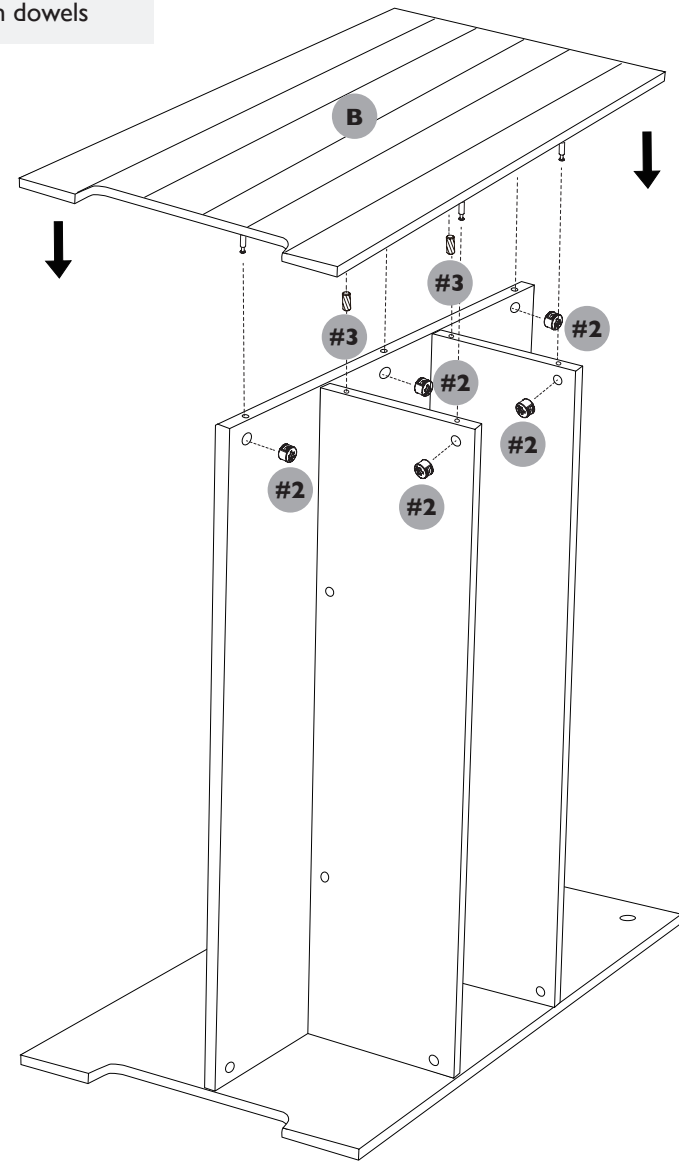
5x #2 cam locks



2x #3 wooden dowels

STEP 5:

Attach the left side panel (B).



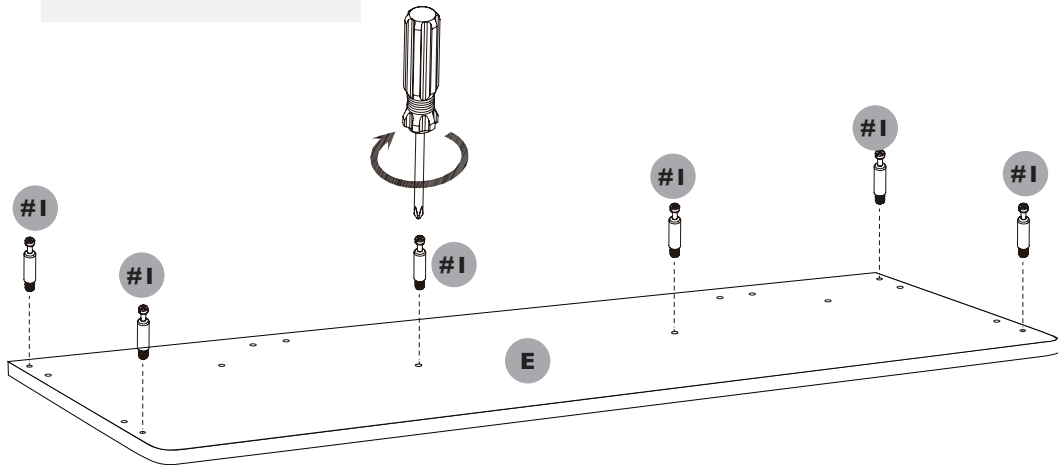
Hardware for Step 6:



6x #1 35mmL cam dowels

STEP 6:

Prepare the top panel (E).



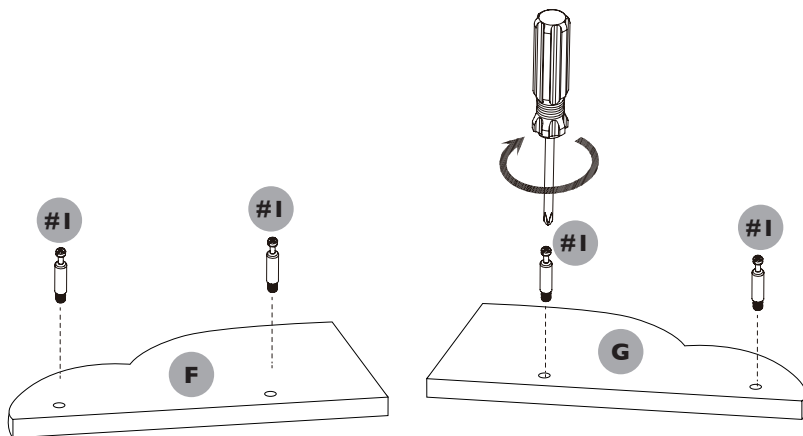
Hardware for Step 7:



4x #1 35mmL cam dowels

STEP 7:

Prepare the left upstand (F) and right upstand (G).



Hardware for Step 8:



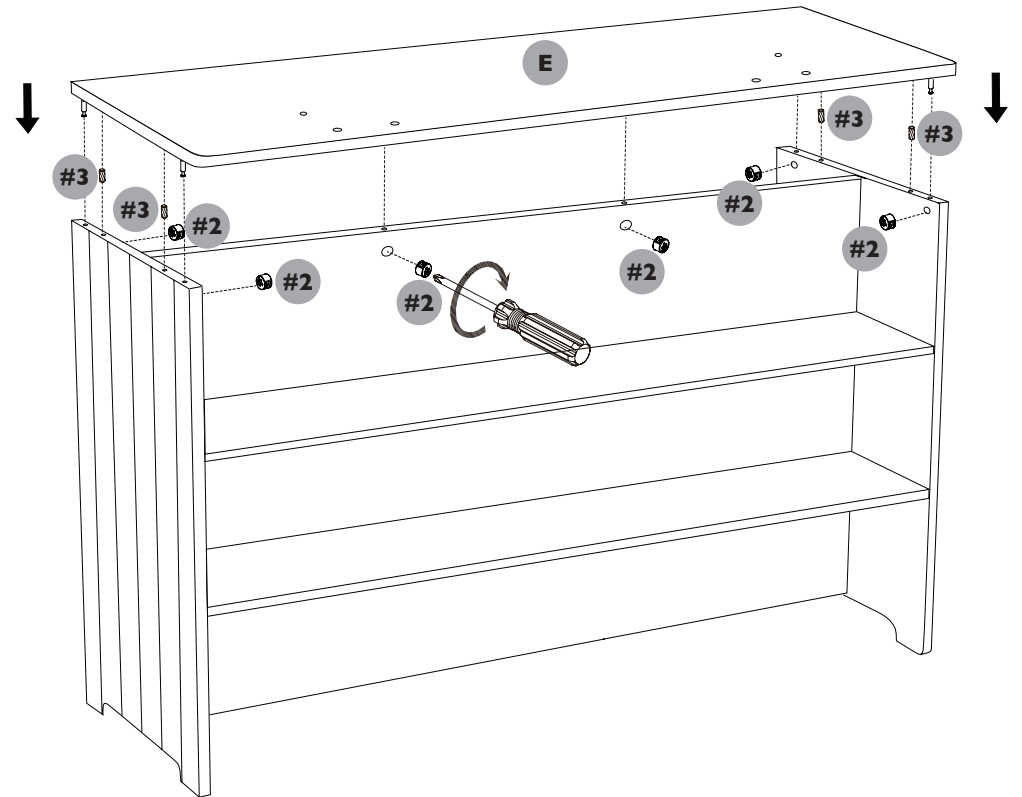
6x #2 cam locks



4x #3 wooden dowels

STEP 8:

Attach the top panel (E).



Hardware for Step 9:



4x #2 cam locks

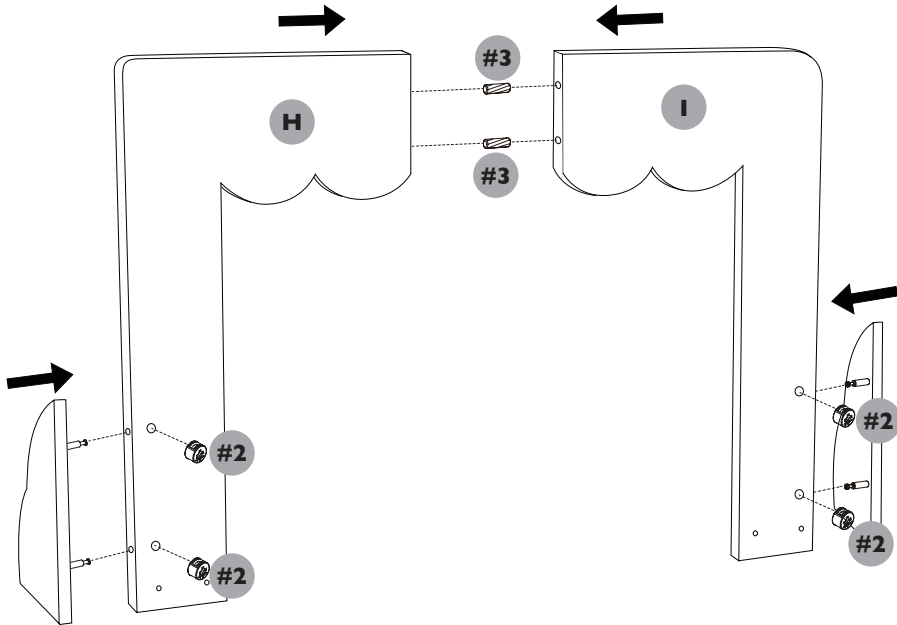


2x #3 wooden dowels

STEP 9:

Attach the upstands to the panel H and I.

Place 2x wooden dowels into the holes on the side face of panel H. Use these dowels to position panel I and push the panels together.



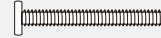
Hardware for Step 10:



2x #4 25mmL screws



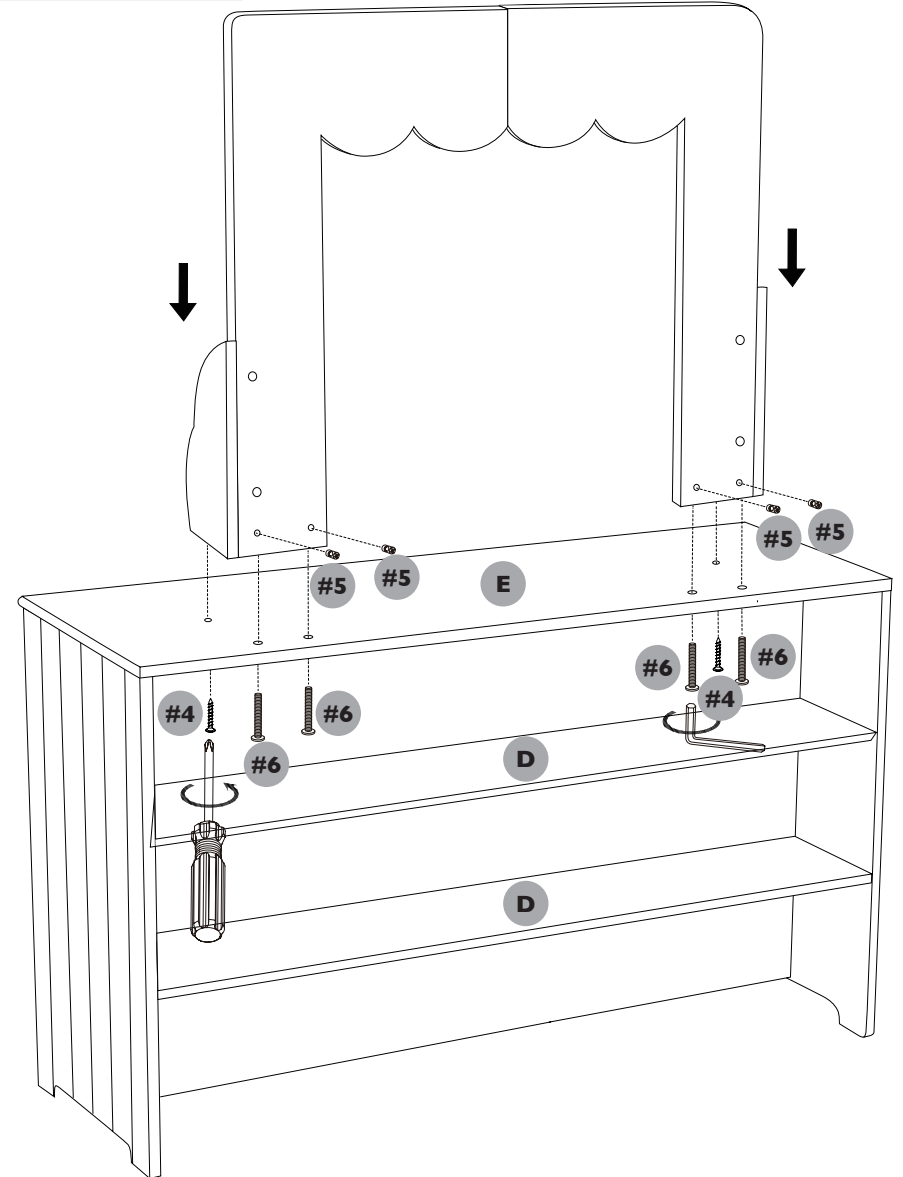
4x #5 barrel nuts



4x #6 53mmL bolts

STEP 10:

Attach the assembled panels to the main body.



Hardware for Step 11: **STEP 11:**

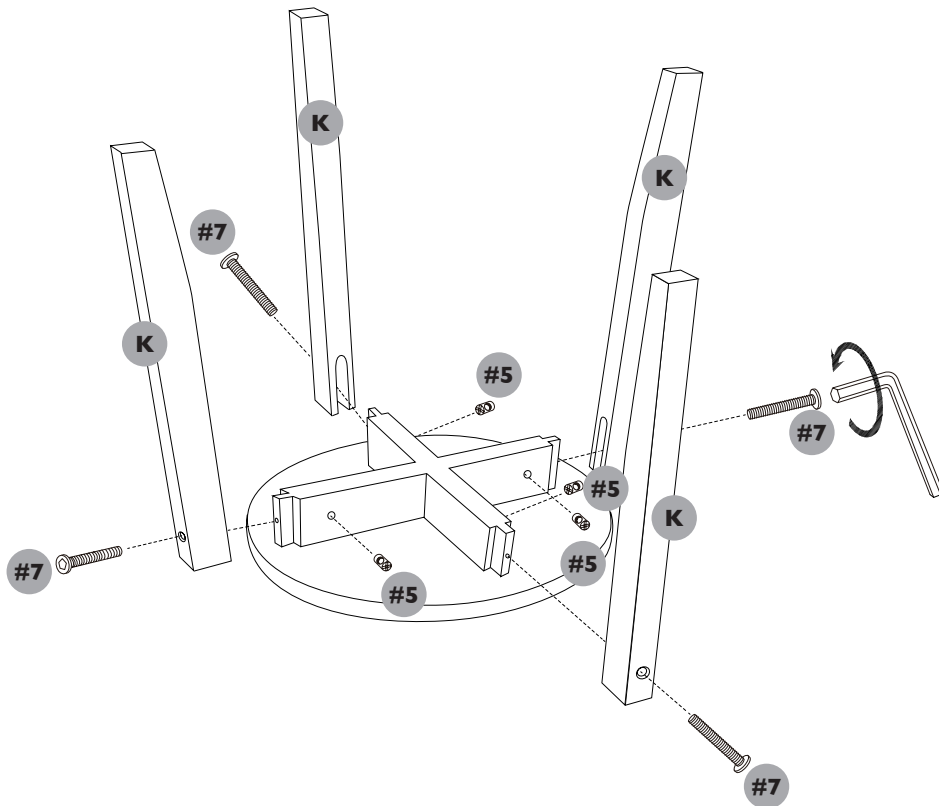


8x #5 barrel nuts



8x #7 66mmL bolts

Attach the stool legs (K) to the stool seat (J) using 4x long bolts (#7) and 4x barrel nuts (#5). Repeat on the second stool.



STEP 12:

The assembly is now complete.

