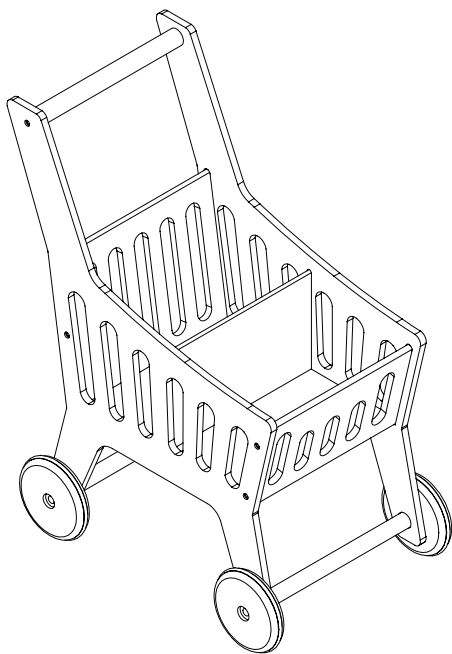




gltc.co.uk

Shopping Trolley



Assembly Difficulty



easy - medium - hard



one-person job

V2

17/07/2019

Thank you for shopping with GLTC, we hope you enjoy having this product in your home.

We know assembling furniture, toys or accessories is not everyone's favourite way to spend their time, so we've tried to make assembling this item as quick and painless as possible.

Hopefully our efforts will have been worthwhile and you'll sail through the whole process. But if it all feels a bit too much like hard work, then we do have an assembly company we can recommend: the Flatpack Construction Company offers a nationwide service and can be contacted on **0843 289 4951** or **www.flatpackconstruction.co.uk**.

Good luck!

A few important pointers before you start:

- It might be worth checking on our website that there are no updates or revisions to these instructions (if we have had helpful feedback from other customers we pass it on via the product web page). Simply check the date and version number on the front of this leaflet against that of any site updates.
- Please read the instructions right through before you start, and check that all the components have been included in the pack; we find separating all the hardware into piles makes it easier to be sure that everything is present and correct.
- Make sure you have the right tools. Allen keys are provided if required, but screw drivers and other tools are not. You'll find details of the tools you need at the beginning of the instructions.
- It's a good idea to build the unit in the room where you are going to be using it, to avoid the need to move it after it's been assembled.
- Do not throw away any packing materials until assembly is complete, just in case you accidentally discard smaller parts or hardware.

Safety Warnings:

- Adult assembly required.
- Assemble and use on a flat and level surface.
- Unassembled product contains small parts which may present a choking hazard.
- Children should be kept away from the product during assembly to avoid any possible risk of injury.
- DO NOT use power tools in the assembly of this product as there is a risk of over-tightening and consequently splitting of the wood.
- Check all fixtures and fittings regularly and tighten as necessary.
- Check the item regularly for signs of damage which may make the product unsafe.
- Please retain these instructions for future reference.

Customer Service:

- If you find that any components are missing or damaged, please do not begin assembly and do not use the item. Please contact GLTC Customer Services on **0344 848 6000** immediately.
- We do stock spare hardware packs at our warehouse, so we should be able to send you a replacement pack immediately if required.

Product Care:

- Wipe clean using a soft damp cloth followed by a dry cloth.
- Do NOT use cleaning products which contain ammonia, solvents or abrasive material.
- Do NOT expose the item to extremes of heat and humidity.

Could we do better?

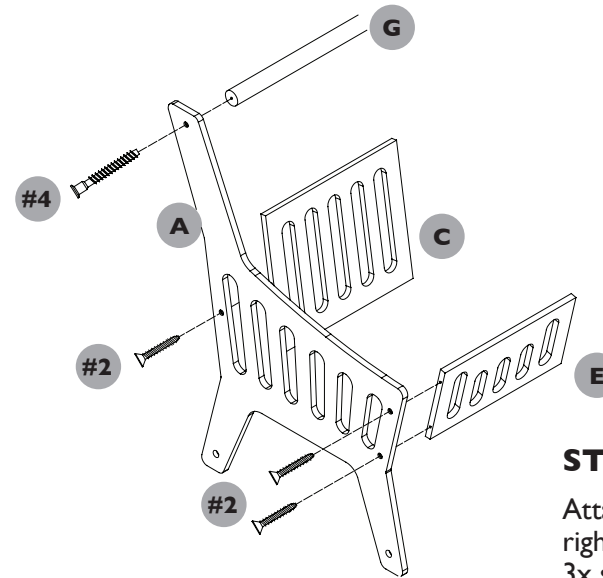
If there is anything you think could be improved in these instructions or in the assembly of this product we'd be grateful if you could let us know; we'll pass any helpful hints and tips on to other customers via our website and update the instructions.

All you need to do is drop us a line at [**instructions@gltc.co.uk**](mailto:instructions@gltc.co.uk)

Thank you

Component Check List

<p>A 1x Right Side Panel</p>		<p>B 1x Left Side Panel</p>	
<p>C 1x Back Panel</p>	<p>D 1x Divider</p>	<p>E 1x Front Panel</p>	
<p>F 1x Base Panel</p>		<p>G 1x Trolley Bar</p>	<p>I 4x Wheels</p>
		<p>H 2x Wheel Axles</p>	
<p>#1 4x Bolts 66mmL</p>	<p>#2 6x Screws 25mmL</p>	<p>#5 1x Allen Key 3mm</p>	<p>You will need (not supplied)</p> <p>Phillips Head Screwdriver</p>
<p>#3 4x Washers</p>	<p>#4 2x Bolts 40mmL</p>	<p>#6 1x Allen Key 5mm</p>	



Hardware for Step 1:



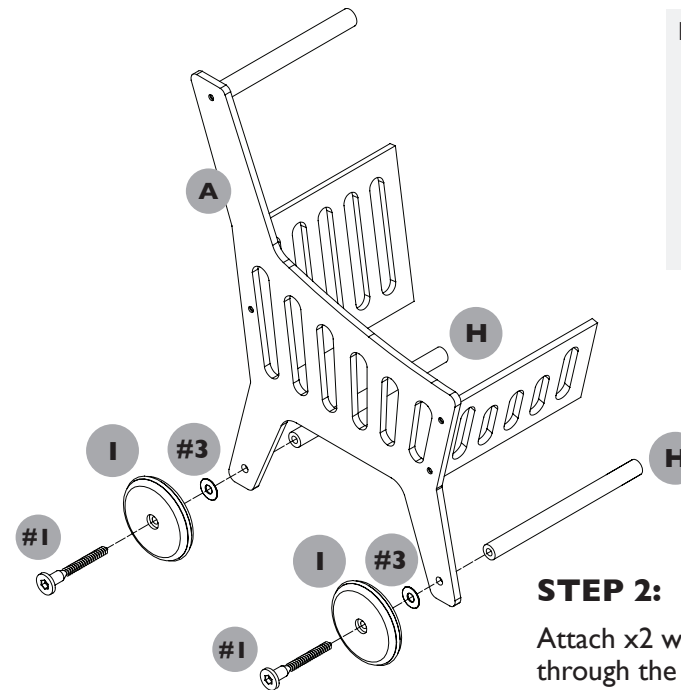
3x #2 25mmL screws



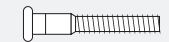
1x #4 40mmL bolt

STEP 1:

Attach parts (C), (E) and (G) to right side panel (A). Secure using 3x screws (#2) and 1x bolt (#4).



Hardware for Step 2:



2x #1 66mmL bolts



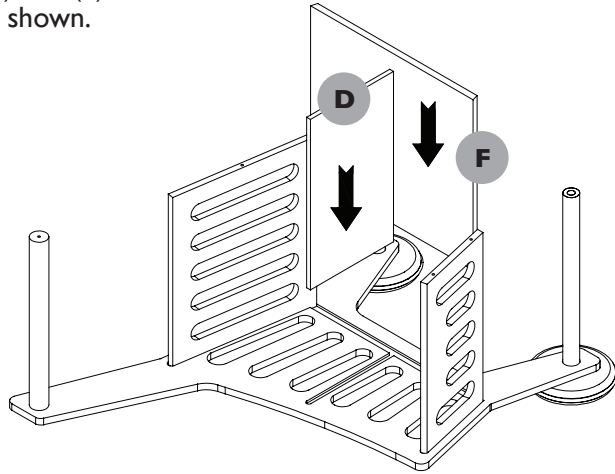
2x #3 washers

STEP 2:

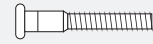
Attach x2 wheels (I) to the axles (H) through the right side panel (A) using 2x bolts (#1) and 2x washers (#3).

STEP 3:

Slide panels (D) and (E) into the grooves as shown.



Hardware for Step 5:



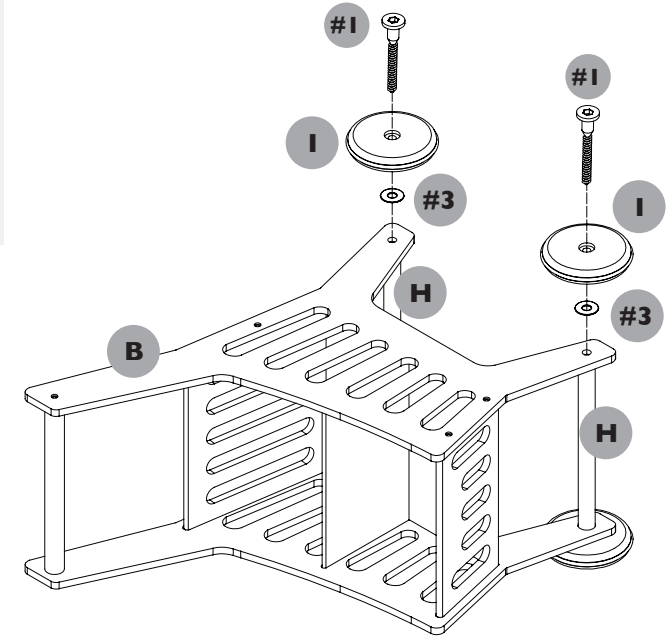
2x #1 66mmL bolts



2x #3 washers

STEP 5:

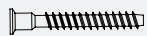
Attach x2 wheels (I) to the axles (H) through the left side panel (B) using 2x bolts (#1) and 2x washers (#3).



Hardware for Step 4:



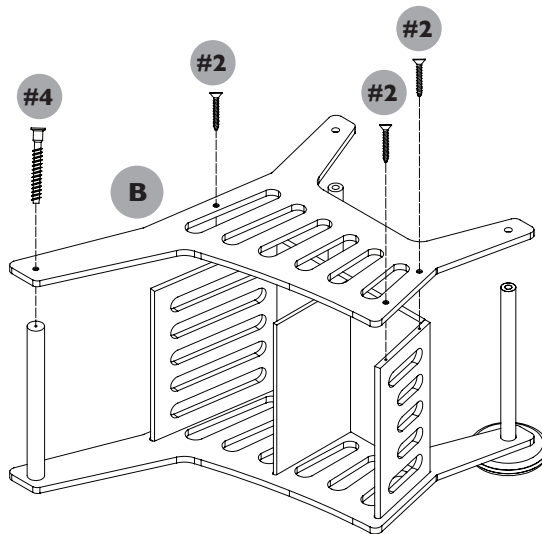
3x #2 25mmL screws



1x #4 40mmL bolt

STEP 4:

Attach the left side panel (B) to secure the trolley assembly using 3x screws (#2) and 1x bolt (#4).



The assembly is now complete.

