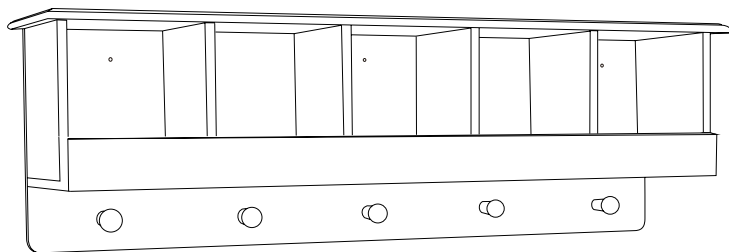




gltc.co.uk

Pigeonhole Wall Shelf L2668



Thank you for shopping with GLTC, we hope you enjoy having this product in your home.

We know assembling furniture, toys or accessories is not everyone's favourite way to spend their time, so we've tried to make assembling this item as quick and painless as possible.

Hopefully our efforts will have been worthwhile and you'll sail through the whole process. But if it all feels a bit too much like hard work, then we do have an assembly company we can recommend: the Flatpack Construction Company offers a nationwide service and can be contacted on **0843 289 4951** or **www.flatpackconstruction.co.uk**.

A few important pointers before you start:

- Please read the instructions right through before you start, and check that all the components have been included in the pack; we find separating all the hardware into piles makes it easier to be sure that everything is present and correct.
- Make sure you have the right tools. Allen keys are provided if required, but screw drivers and other tools are not. You'll find details of the tools you need at the beginning of the instructions.
- It's a good idea to build the unit in the room where you are going to be using it, to avoid the need to move it after it's been assembled.
- Do not throw away any packing materials until assembly is complete, just in case you accidentally discard smaller parts or hardware.

Assembly Difficulty



easy - medium - hard



one-person job



31/10/2017

Safety Warnings:

- WARNING! This is not a toy.
- Adult assembly required.
- Children should be kept away from the product during assembly to avoid any possible risk of injury.
- Do not use power tools in the assembly of this product.
- Masonry wall fixings have been provided for use on solid brick and masonry walls. If mounting or fixing to another wall type then please use the appropriate fixings for the wall type. If in doubt, please seek professional advice.
- Maximum weight load 20kg. Do not overload.
- Check all fixtures and fittings regularly and tighten as necessary.
- Please retain these instructions for future reference.

Customer Service:

- If you find that any components are missing or damaged, please do not begin assembly and do not use the item. Please contact GLTC Customer Services on **0344 848 6000** immediately.
- We do stock spare hardware packs at our warehouse, so we should be able to send you a replacement pack immediately if required.

Product Care:

- Wipe clean using a soft damp cloth followed by a dry cloth.
- Do NOT use cleaning products which contain ammonia, solvents or abrasive material.
- Do NOT expose the item to extremes of heat and humidity.

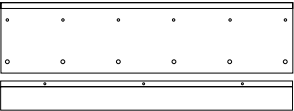


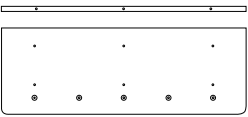
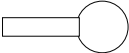
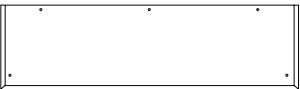
Could we do better?





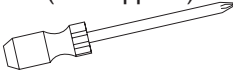
If there is anything you think could be improved in these instructions or in the assembly of this product we'd be grateful if you could let us know; we'll pass any helpful hints and tips on to other customers via our website and update the instructions.

All you need to do is drop us a line at [**instructions@gltc.co.uk**](mailto:instructions@gltc.co.uk)

Thank you

Component Check List

<p>A</p>  <p>1x Shelf Panel</p>	<p>B</p>  <p>2x Side Panels</p>
<p>C</p>  <p>4x Vertical Divider Panels</p>	<p>D</p>  <p>1x Back Panel</p>
<p>E</p>  <p>5x Coat Pegs</p>	<p>F</p>  <p>1x Top Panel</p>

<p>#1</p>  <p>19x Screws 25mmL</p>	<p>#2</p>  <p>16x Wooden Dowels 20 mmL</p>
<p>#3</p>  <p>3x Wall Plugs 40mmL</p>	<p>#4</p>  <p>3x Screws 40mmL</p>
<p>You will need (not supplied)</p>  <p>Phillips Head Screwdriver</p>	

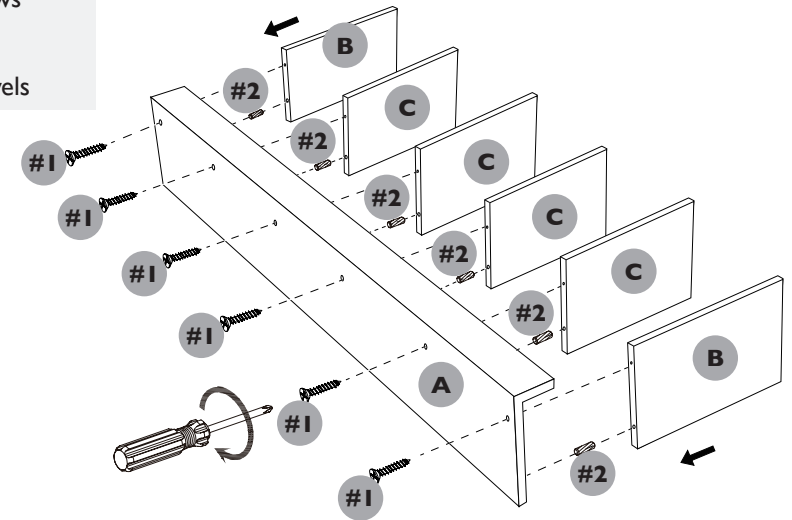
Hardware for Step 1:



6x #1 25mmL screws



6x #2 wooden dowels



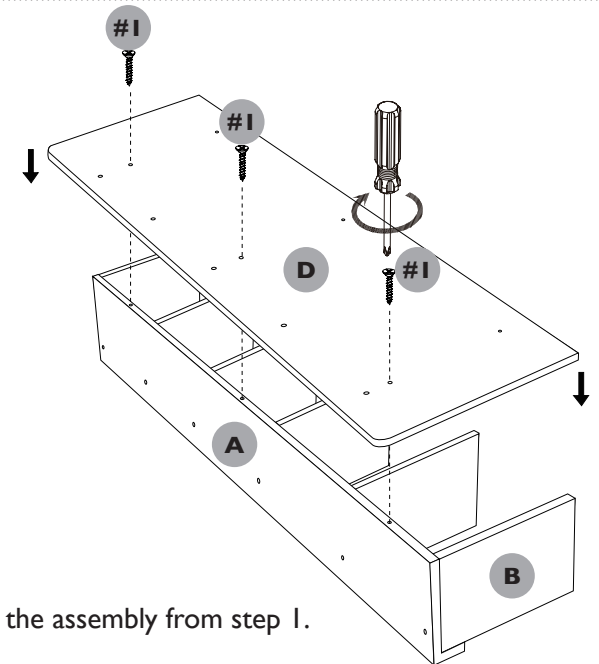
STEP 1:

Attach the side panels (B) and vertical divider panels (C) to the shelf panel (A).

Hardware for Step 2:

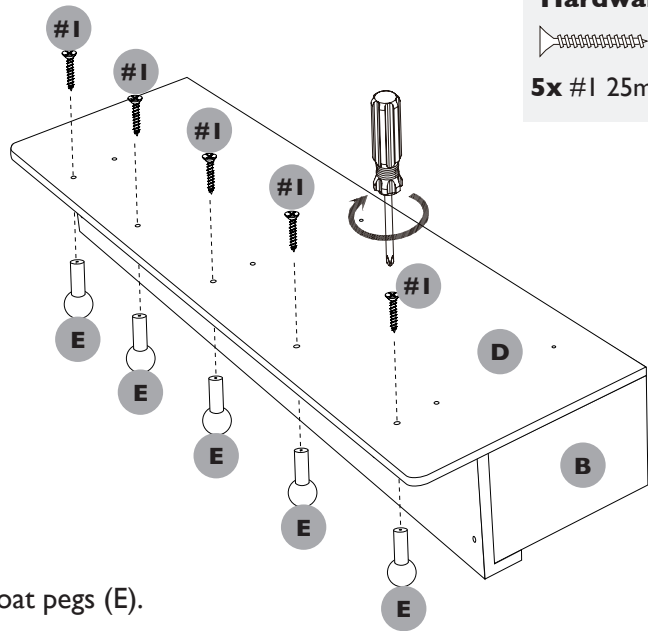


3x #1 25mmL screws



STEP 2:

Attach the back panel (D) to the assembly from step 1.



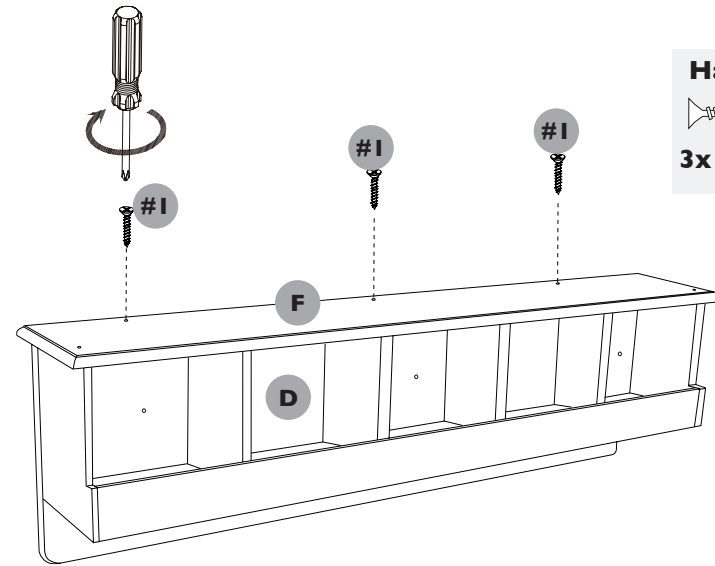
Hardware for Step 3:



5x #1 25mmL screws

STEP 3:

Attach the coat pegs (E).



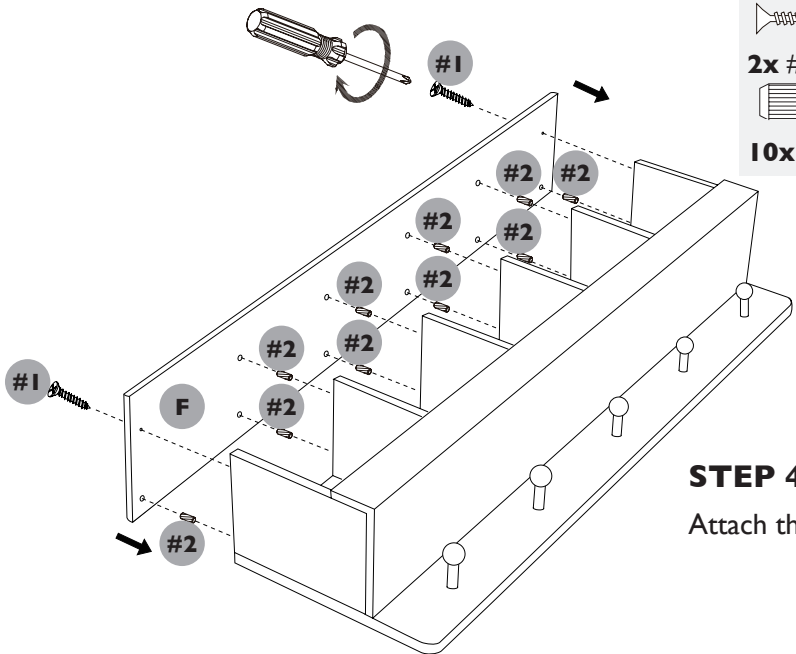
Hardware for Step 5:



3x #1 25mmL screws

STEP 5:

Secure the top panel (F) to the back panel (D).



Hardware for Step 4:



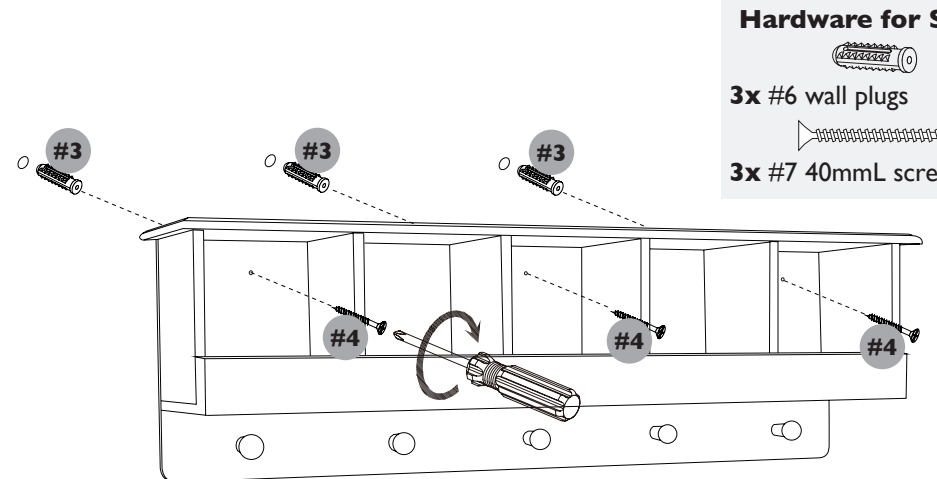
2x #1 25mmL screws



10x #2 wooden dowels

STEP 4:

Attach the top panel (F).



Hardware for Step 6:



3x #6 wall plugs



3x #7 40mmL screws

STEP 6:

Masonry wall fixings have been provided for use on solid brick and masonry walls. If mounting or fixing to another wall type then please use the appropriate fixings for the wall type. If in doubt, please seek professional advice.