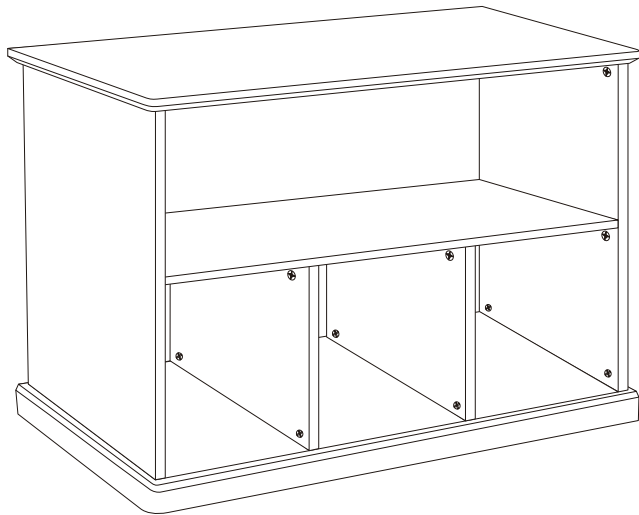




www.gltc.co.uk

## Abbeville Three Cube Unit & Bookshelf



**Thank you for shopping with GLTC, we hope you enjoy having this product in your home.**

We know assembling furniture, toys or accessories is not everyone's favourite way to spend their time, so we've tried to make assembling this item as quick and painless as possible.

Hopefully our efforts will have been worthwhile and you'll sail through the whole process. But if it all feels a bit too much like hard work, then we do have an assembly company we can recommend: the Flatpack Construction Company offers a nationwide service and can be contacted on **0843 289 4951** or **www.flatpackconstruction.co.uk**.

### **A few important pointers before you start:**

- Please read the instructions right through before you start, and check that all the components have been included in the pack; we find separating all the hardware into piles makes it easier to be sure that everything is present and correct.
- Make sure you have the right tools. Allen keys are provided if required, but screw drivers and other tools are not. You'll find details of the tools you need at the beginning of the instructions.
- It's a good idea to build the unit in the room where you are going to be using it, to avoid the need to move it after it's been assembled.
- Do not throw away any packing materials until assembly is complete, just in case you accidentally discard smaller parts and hardware.

Assembly Difficulty



easy - medium - hard



one-person job

V4

17/07/2017

### **Safety Warnings:**

- Adult assembly required.
- Assemble and use on a flat and level surface.
- Children should be kept away from the product during assembly to avoid any possible risk of injury.
- Do not use power tools in the assembly of this product.
- Cam dowels are used in the assembly of this unit. There is a natural stopping point when turning, do not over-tighten.
- Check fixtures and fittings regularly and tighten as necessary.
- Serious or fatal crushing injuries can occur from furniture tipping over. Ensure you secure this furniture product to the wall before you use it using the kit provided. If you have not received an anti-tip kit with your product please contact Customer Services.
- Please retain these instructions for future reference.

### **Customer Service:**

- If you find that any components are missing or damaged, please do not begin assembly and do not use the item. Please contact GLTC Customer Services on **0344 848 6000** immediately.
- We do stock spare hardware packs at our warehouse, so we should be able to send you a replacement pack immediately if required.

### **Product Care:**

- Wipe clean using a soft damp cloth followed by a dry cloth.
- Do NOT use cleaning products which contain ammonia, solvents or abrasive material.
- Do NOT expose the furniture to extremes of heat and humidity.

### **Could we do better?**

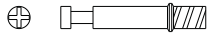
If there is anything you think could be improved in these instructions or in the assembly of this product we'd be grateful if you could let us know; we'll pass any helpful hints and tips on to other customers via our website and update the instructions.

All you need to do is drop us a line at [\*\*instructions@gltc.co.uk\*\*](mailto:instructions@gltc.co.uk)

Thank you

## Component Check List: All Hardware

#1 12 x Cam Dowels  
36mmL



#2 12 x Cam Locks  
15mmDia



#3 8 x Bolts  
42mmL



#4 8 x Barrel Nuts  
10mmDia



#5 20 x Wooden Dowels  
20mmL



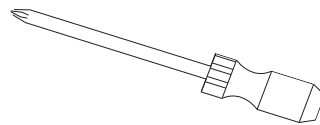
#6 15 x Screws  
12mmL



#7 1 x Allen Key



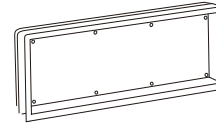
You will need:  
(not supplied)



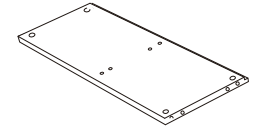
Philips Head Screw Driver

## Component Check List:

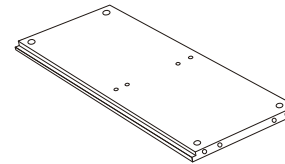
A 1 x Base Panel



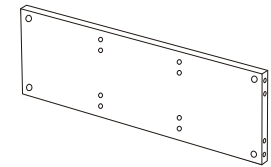
B 1 x left Side Panel



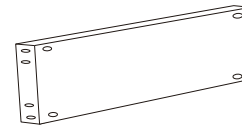
C 1 x Right Side Panel



D 1 x Horizontal Shelf Panel



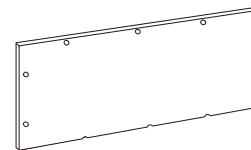
E 2 x Drawer Divider Panels



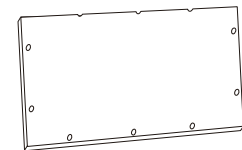
F 1 x Top Panel



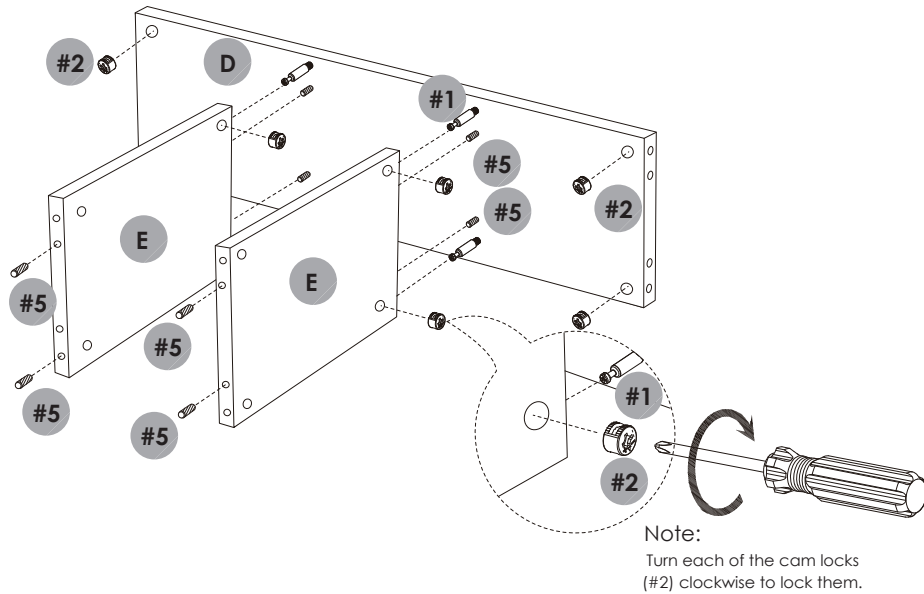
G 1 x Top Back Panel



H 1 x Bottom Back Panel



## Assembly:



### Hardware for Step 1:



4x #1 Cam Dowels



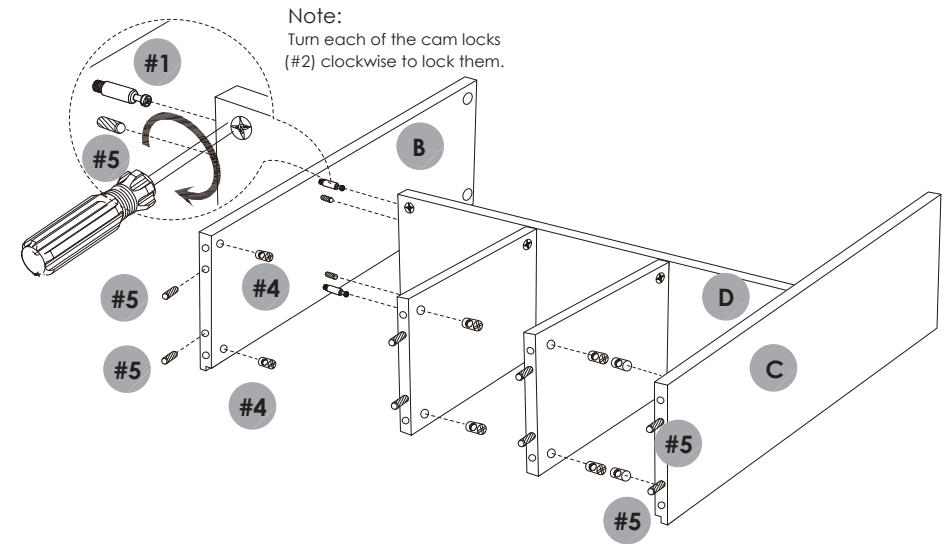
8x #2 Cam Locks



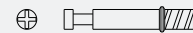
8x #5 Wooden Dowels

### STEP 1: Attach the drawer divider panels to horizontal divider panels

Note: 1. Wooden dowels should fit snugly and push in with your fingers. Do not use force or a hammer as the wood may split.  
2. Do not over-tighten the cam dowels.



### Hardware for Step 2:



4x #1 Cam Dowels



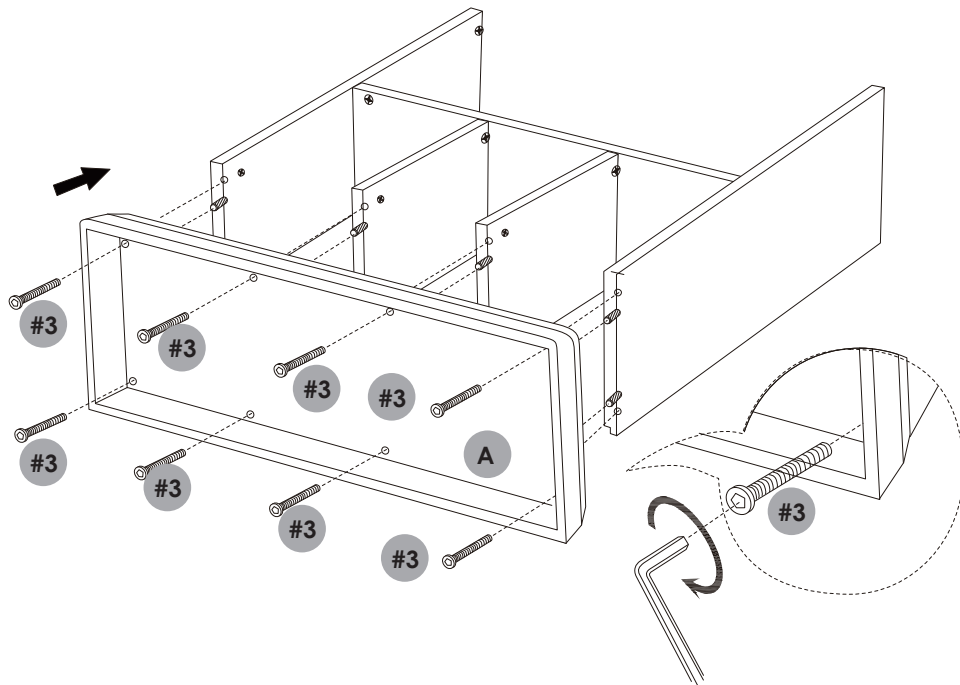
8x #4 Barrel Nuts



8x #5 Wooden Dowels

### STEP 2: Attach the side panels

Note: 1. Wooden dowels should fit snugly and push in with your fingers. Do not use force or a hammer as the wood may split.  
2. Do not over-tighten the cam dowels.



**Hardware for Step 3:**



8x #3 Bolts



1x #7 Allen Key

**STEP 3:** Attach the base panel

**Hardware for Step 4:**



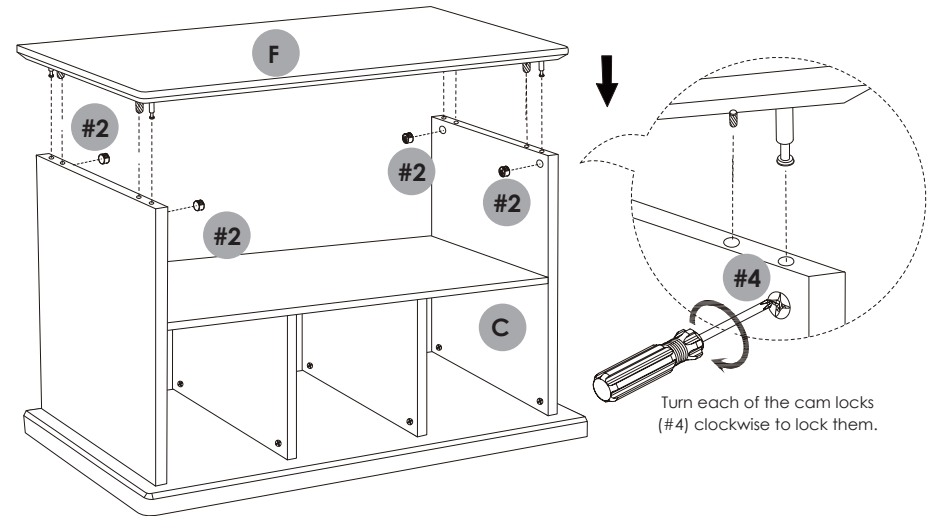
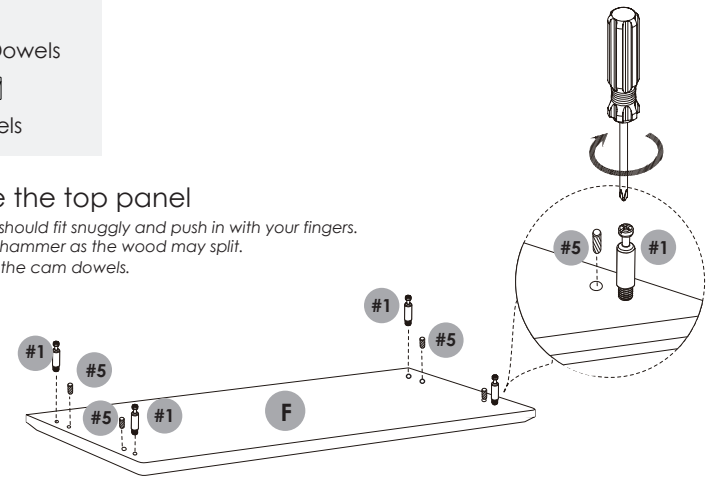
4x #5 Wooden Dowels



4x #1 Cam Dowels

**STEP 4:** Prepare the top panel

Note: 1. Wooden dowels should fit snugly and push in with your fingers. Do not use force or a hammer as the wood may split.  
2. Do not over-tighten the cam dowels.

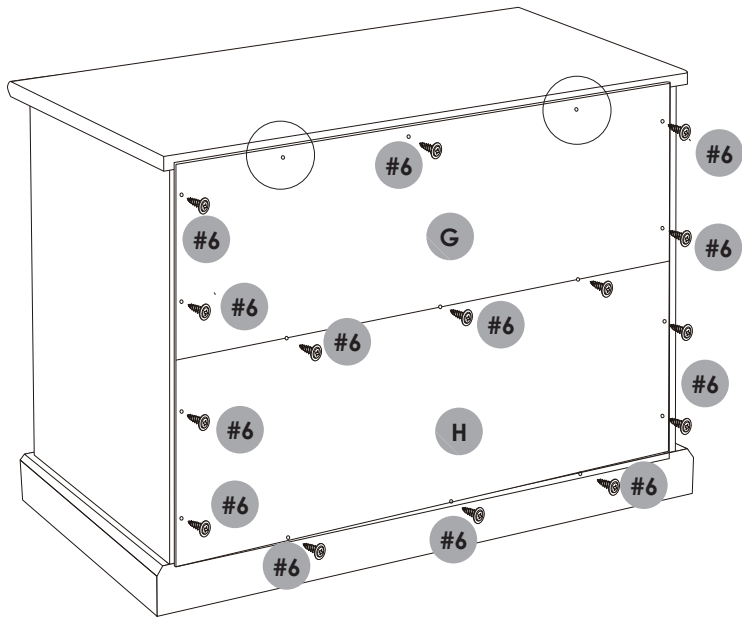


**Hardware for Step 5:**



4x #2 Cam Locks

**STEP 5:** Attach the top panel



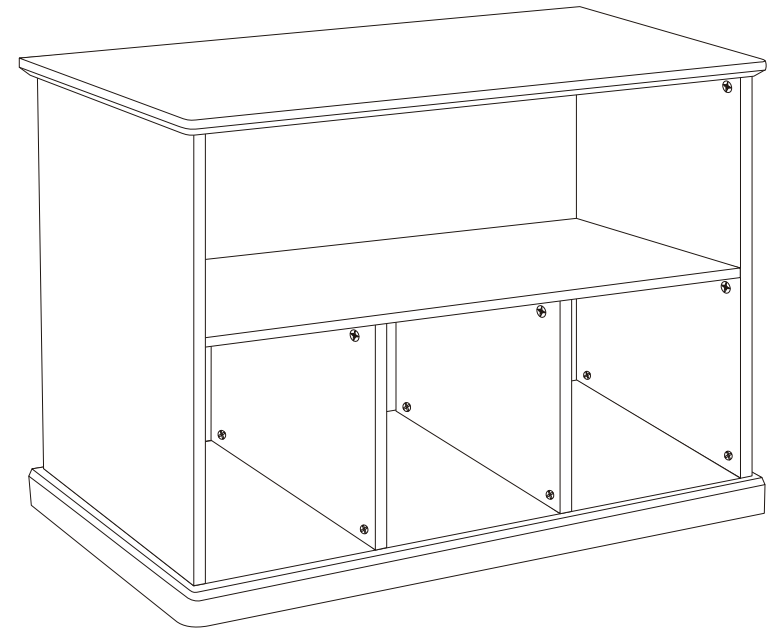
**Hardware for Step 6:**



17x #6 Screws

**STEP 6:** Attach the back panels.

Please note that the 2x pilot holes indicated at the top of the unit are to attach anti tip straps included separately with this item.



© Copyright G.L.T.C. Ltd. 2015.

G.L.T.C. asserts all product design rights, all other intellectual property and image rights including those contained in these instructions.