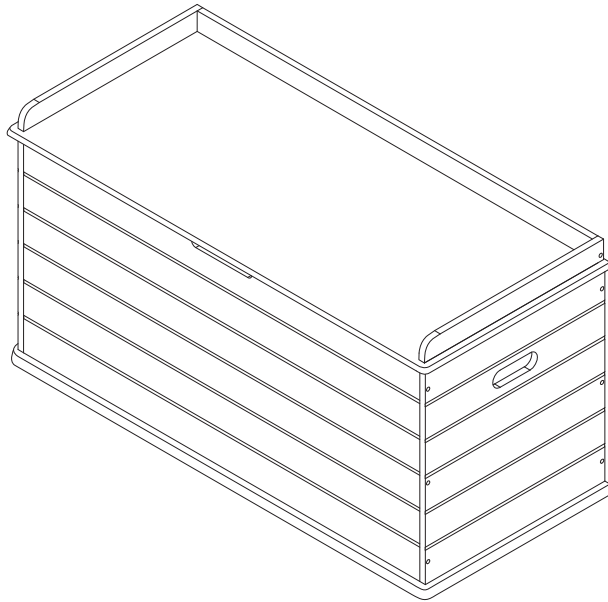


**Great  
Little**  
Trading Co.

gltc.co.uk

## **Large Classic Toy Box G2297, L3582**



Assembly Difficulty



easy - medium - hard



two-person job

V4

20/12/2021

**Thank you for shopping with GLTC, we hope you enjoy having this product in your home.**

We know assembling furniture, toys or accessories is not everyone's favourite way to spend their time, so we've tried to make assembling this item as quick and painless as possible.

### **A few important pointers before you start:**

- It might be worth checking on our website that there are no updates or revisions to these instructions (if we have had helpful feedback from other customers we pass it on via the product web page). Simply check the date and version number on the front of this leaflet against that of any site updates.
- Please read the instructions right through before you start, and check that all the components have been included in the pack; we find separating all the hardware into piles makes it easier to be sure that everything is present and correct.
- Make sure you have the right tools. Allen keys are provided if required, but screw drivers and other tools are not. You'll find details of the tools you need at the beginning of the instructions.
- It's a good idea to build the unit in the room where you are going to be using it, to avoid the need to move it after it's been assembled.
- Do not throw away any packing materials until assembly is complete, just in case you accidentally discard smaller parts or hardware.

### **Safety Warnings:**

- This product has been designed, manufactured and tested to comply with BS EN 17191:2021 seating for children.
- Adult assembly required.
- Unassembled product contains small parts which may present a choking hazard.
- Assemble and use on a flat and level surface.
- Children should be kept away from the product during assembly to avoid any possible risk of injury.
- This product is suitable for children in the age range of 3 years plus.
- Maximum weight load 100Kg. Do not overload.
- DO NOT place this product near a window as it can be used as a step by the child and cause the child to fall out of the window.
- DO NOT place this product near a window where cords from blinds or curtains could strangle a child.
- Be aware of the risk of open fires and other sources of strong heat in the vicinity of the product.
- DO NOT use power tools in the assembly of this product as there is a risk of over-tightening and consequently splitting of the wood.
- Check all fixtures and fittings regularly and tighten as necessary.
- WARNING. Do not use this bed if any part becomes broken, torn or missing. Please contact GLTC Customer Services on 0344 848 6000 immediately to arrange for suitable replacement parts.

### **Customer Service:**

- If you find that any components are missing or damaged, please do not begin assembly and do not use the item. Please contact GLTC Customer Services on **0344 848 6000** immediately.
- We do stock spare hardware packs at our warehouse, so we should be able to send you a replacement pack immediately if required.

### **Product Care:**

- Wipe clean using a soft damp cloth followed by a dry cloth.
- DO NOT use cleaning products which contain ammonia, solvents or abrasive material.
- DO NOT expose the item to extremes of heat and humidity.

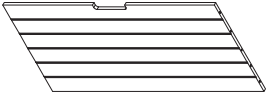
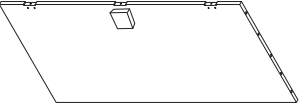
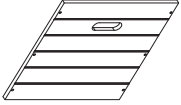



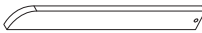

### **Could we do better?**


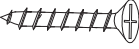

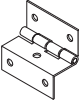

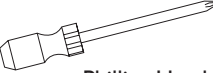
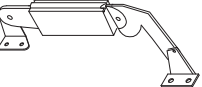
If there is any thing you think could be improved in these instructions or in the assembly of this product we'd be grateful if you could let us know; we'll pass any helpful hints and tips on to other customers via our website and update the instructions.

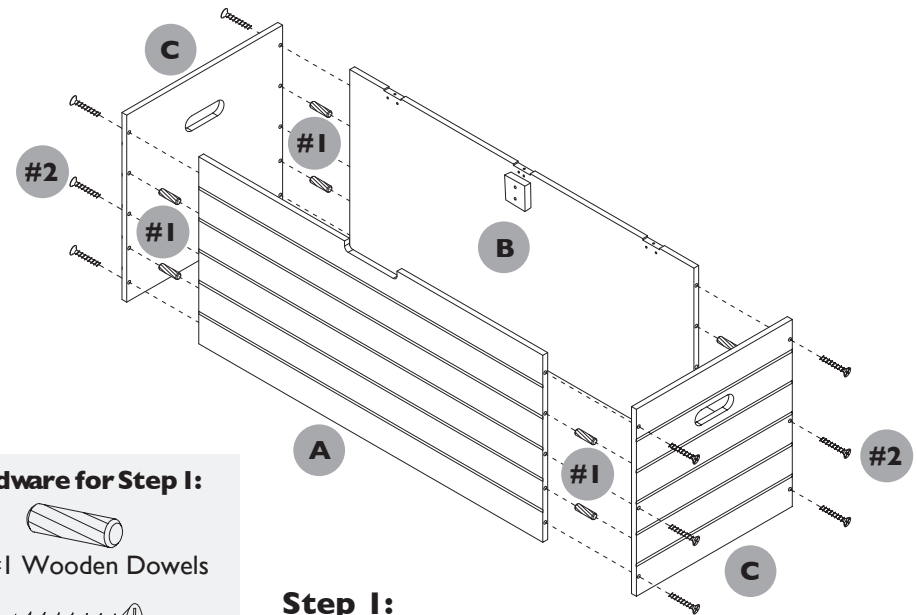
All you need to do is drop us a line at [\*\*instructions@gltc.co.uk\*\*](mailto:instructions@gltc.co.uk)

Thank you

## Component Check List

<b>A</b> 1x Front Panel 	<b>B</b> 1x Back Panel 
<b>C</b> 2x Side Panels 	<b>D</b> 1x Base Panel 
<b>E</b> 1x Back Upstand 	<b>F</b> 1x Left Upstand 
<b>G</b> 1x Right Upstand 	<b>H</b> 1x Lid Panel 

<b>#1</b> 22x Wooden Dowels 35mm 	<b>#2</b> 25x Screws 25mm 
<b>#3</b> 10x Screws 30mm 	<b>#4</b> 3x Hinges 
<b>#5</b> 15x Screws 12mm 	You will need (not supplied)  Phillips Head Screwdriver
<b>#6</b> 1x Safety Hinge 	



### Hardware for Step 1:

8x #1 Wooden Dowels

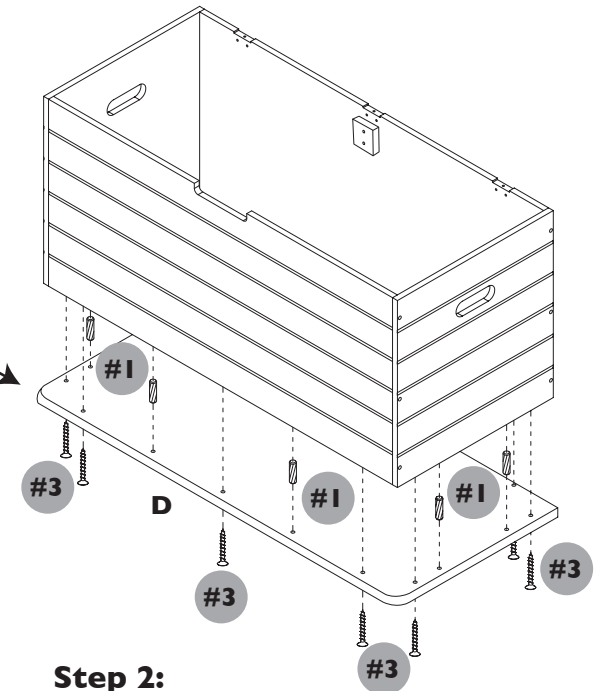
12x #2 Screws (25mm)

### Step 1:

Attach front panel A, back panel B and 2x side panels C together.

### Note:

When positioning the base panel, ensure the rounded corners are at the front of the unit with the cut out handle.



### Hardware for Step 2:

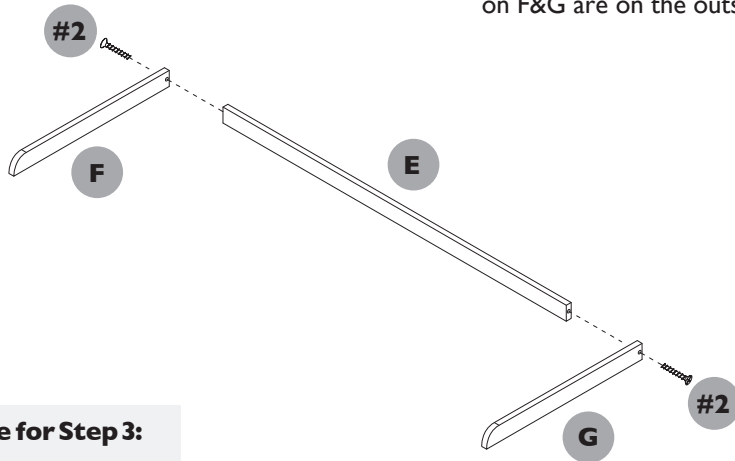
8x #1 Wooden Dowels

10x #3 Screws (30mm)

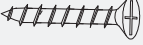
### Step 2:

Attach base panel D

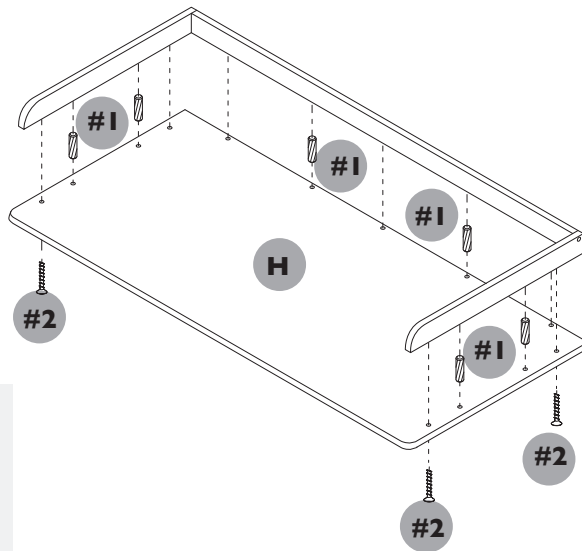
**Note:**  
Ensure the countersunk holes on F&G are on the outside.



**Hardware for Step 3:**

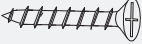
  
2x #2 Screws (25mm)

**Step 3:**  
Create upstand

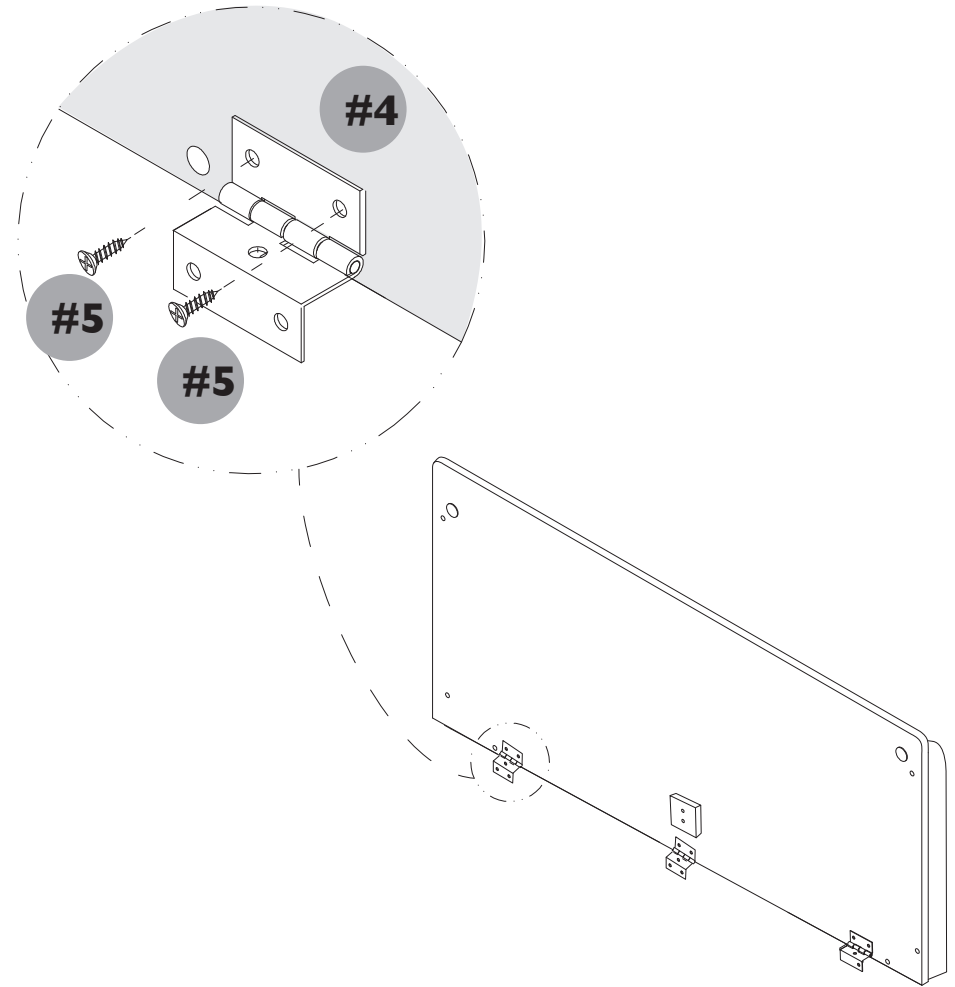


**Hardware for Step 4:**

  
6x #1 Wooden Dowels

  
7x #2 Screws (25mm)

**Step 4:**  
Attach the upstand to the lid panel H

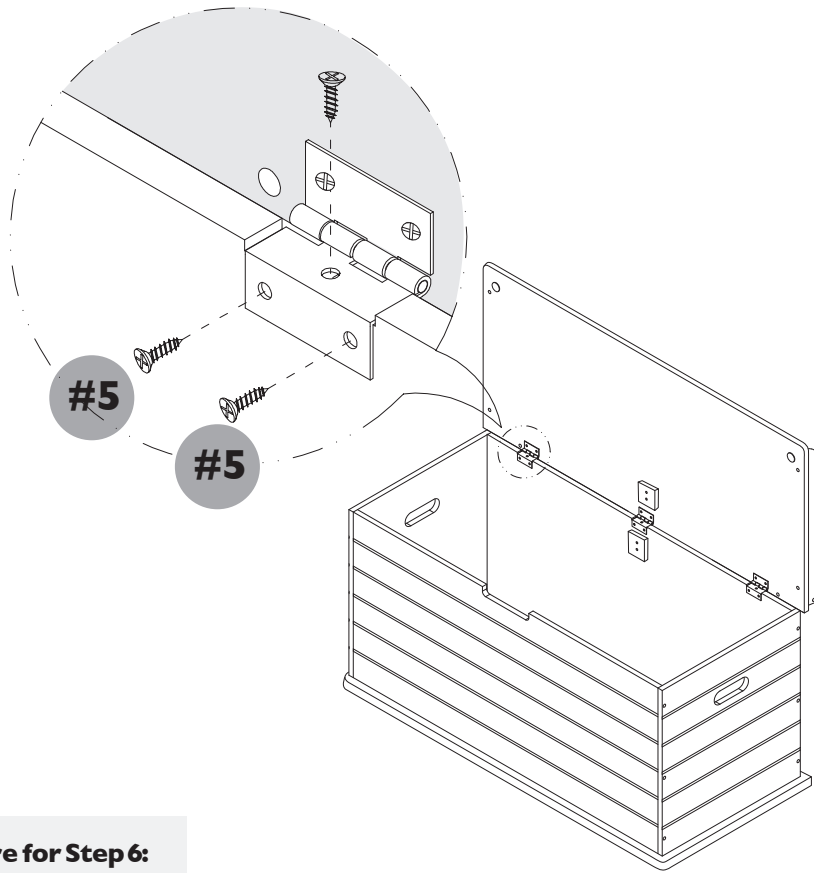


**Hardware for Step 5:**

  
3x #4 Hinges

  
6x #5 Screws (12mm)

**Step 5:**  
Attach the hinges to the lid panel H



**Hardware for Step 6:**



9x #5 Screws (12mm)

**Step 6:**

IMPORTANT: 2 people are needed to complete this step safely.

With the assistance of a second person to hold the lid panel H in place, secure the hinges to the toy box.

**Step 7:**

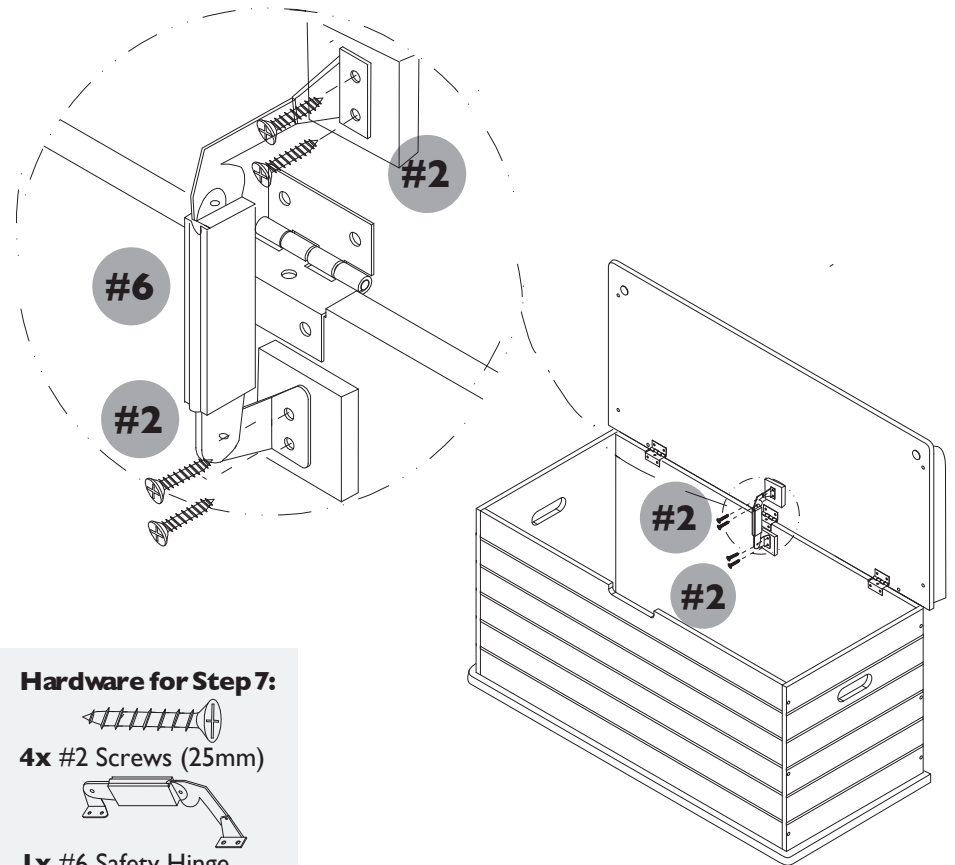
IMPORTANT: 2 people are needed to complete this step safely.

Attach safety hinge.

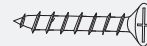
We suggest you attach the lower part of the safety hinge first then tilt the lid until the screws at the top of the hinge can be secured.

It is important to fully insert the screws that attach the safety hinge to ensure the hinge works correctly.

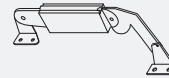
Do not leave the screws protruding.



**Hardware for Step 7:**



4x #2 Screws (25mm)



1x #6 Safety Hinge