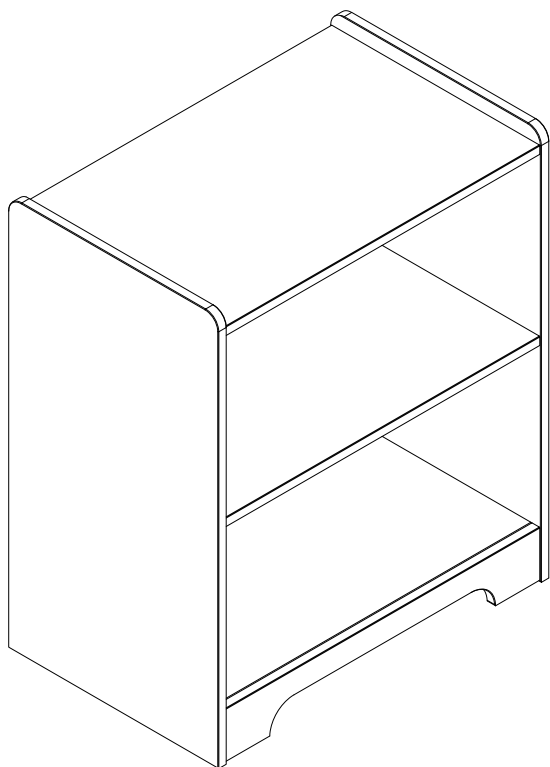




gltc.co.uk

Paddington Storage Shelf L5486



Assembly Difficulty



easy - medium- hard



one-person job



07/12/2022

Thank you for shopping with GLTC, we hope you enjoy having this product in your home.

We know assembling furniture, toys or accessories is not everyone's favourite way to spend their time, so we've tried to make assembling this item as quick and painless as possible.

A few important pointers before you start:

- Please read the instructions right through before you start, and check that all the components have been included in the pack; we find separating all the hardware into piles makes it easier to be sure that everything is present and correct.
- Make sure you have the right tools. Allen keys are provided if required, but screw drivers and other tools are not. You'll find details of the tools you need at the beginning of the instructions.
- It's a good idea to build the unit in the room where you are going to be using it, to avoid the need to move it after it's been assembled.
- Do not throw away any packing materials until assembly is complete, just in case you accidentally discard smaller parts or hardware.

Safety Warnings:

- Assembly to be carried out by a competent adult only.
- In an unassembled state product contains small parts which may pose a choking hazard, not suitable for children under 3 years.
- Assemble and use on a flat and level surface.
- This product is heavy. We recommend that you build it where you are planning to use it.
- **DO NOT** use power tools in the assembly of this product as there is a risk of over-tightening and consequently splitting of the wood.
- **DO NOT** use this item if any components are missing or damaged.
- Check all fixtures and fittings regularly and tighten as necessary.
- Maximum weight 50kgs. **DO NOT** overload.
- **DO NOT** place this product near a window as it can be used as a step by the child and cause the child to fall out of the window.
- **WARNING: FURNITURE TIPPING RISK - PLEASE READ CAREFULLY**
- To avoid possible injury from tipping - **DO NOT** allow children to sit, step or climb on the product.
- Serious or fatal crushing injuries can occur from furniture tipping over. In order to prevent overturning, ensure you secure this furniture product to the wall before you use it, using the anti-tip kit device provided. If you have not yet received an anti-tip kit with your product please contact customer services. You will need to source suitable fixings for your wall . If in doubt, please consult a qualified trades person.
- Wall fixings not included. You will need to source suitable fixings for your wall. If in doubt, please consult a qualified trades person.
- Place the heaviest items in the lower drawers or shelves.
- **PLEASE RETAIN THESE INSTRUCTIONS FOR FUTURE REFERENCE.**

Customer Service:

- Should you have any queries regarding your product, missing parts or information and need help please follow the guidance below.
- For gltc.co.uk orders contact GLTC Customer Services on **0344 848 6000**.
- For all other orders please contact your retailer.
- Thank you for shopping with GLTC, we hope you enjoy having this product in your home.
- We know assembling furniture, toys or accessories is not everyone's favourite way to spend their time, so we've tried to make assembling this item as quick and painless as possible.

Product Care:

- The painted/lacquered surface is resistant to staining if cleaned immediately, however please protect the surface from contact with ball point pen and indelible style felt markers as the ink is by nature permanent.
- Wipe clean using a soft damp cloth followed by a dry cloth.
- Do NOT use cleaning products which contain ammonia, solvents or abrasive material.
- Do NOT expose the item to extremes of heat and humidity.
- Check all fixtures and fittings regularly and tighten as necessary.

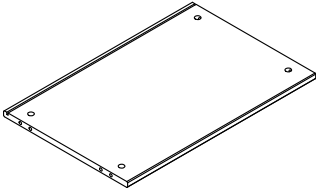
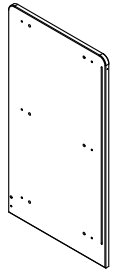

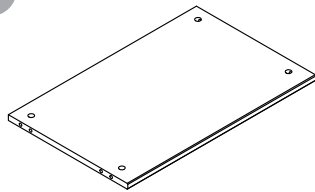
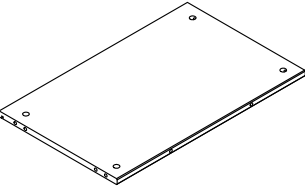
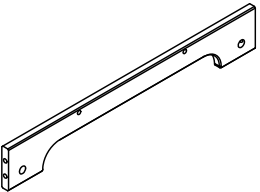
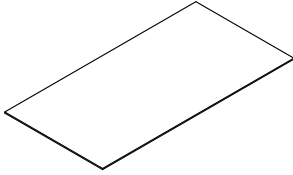
Could we do better?

If there is anything you think could be improved in these instructions or in the assembly of this product we'd be grateful if you could let us know; we'll pass any helpful hints and tips on to other customers via our website and update the instructions.




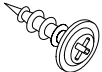


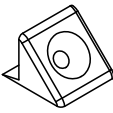

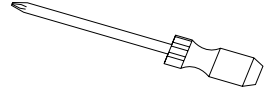
All you need to do is drop us a line at instructions@gltc.co.uk

Thank you

Component Check List

<p>A</p>  <p>1x Top Panel</p>	<p>B</p>  <p>1x Side Panel</p>
<p>C</p>  <p>1x Side Panel</p>	<p>D</p>  <p>1x Shelf Panel</p>
<p>E</p>  <p>1x Base Panel</p>	<p>F</p>  <p>1x Front Panel</p>
<p>G</p>  <p>2x Back Panels</p>	

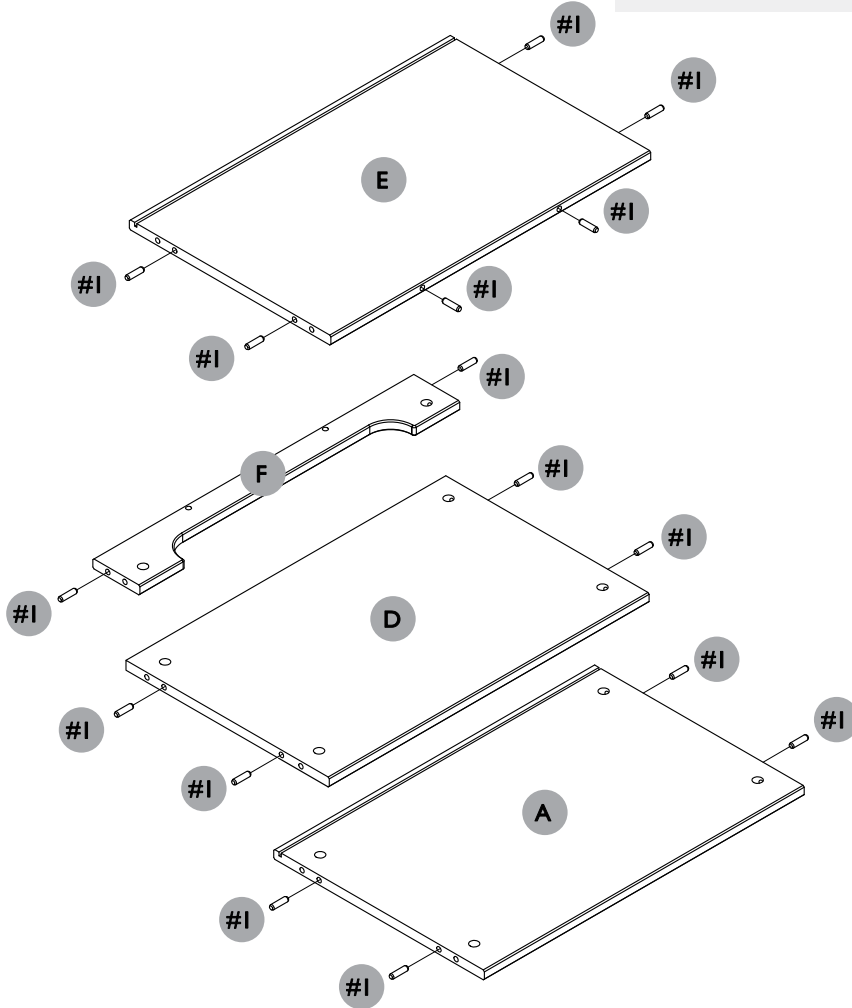
Component Check List

<p>#1</p>  <p>16x Wooden Dowels</p>	<p>#2</p>  <p>14x Cam Dowels</p>
<p>#3</p>  <p>14x Cam Lock</p>	<p>#4</p>  <p>3x Back Panel Screws</p>
<p>#5</p>  <p>8x Large Cover Caps (do not use if children under 3 are present in the house)</p>	<p>#6</p>  <p>1x Anti-Tip</p>
<p>#7</p>  <p>8x Rear Panel Holder</p>	<p>#8</p>  <p>8x Screw (20mm)</p>
<p>You will need (not supplied)</p>  <p>Philips Head Screwdriver</p>	

Hardware for Step 1:



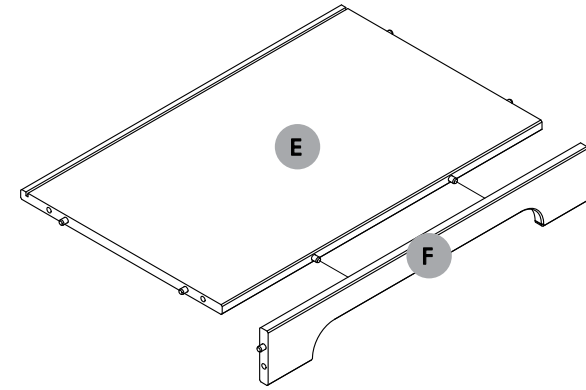
16x #1 Wooden Dowels



STEP 1:

Working on a protective surface such as carpet or rug, take panels A, D, E & F and insert 16x wooden dowels (#1) in the holes shown.

The dowels should just push in, but if there are any that are too tight to push in by hand, gently tap with a hammer.

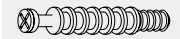


STEP 2:

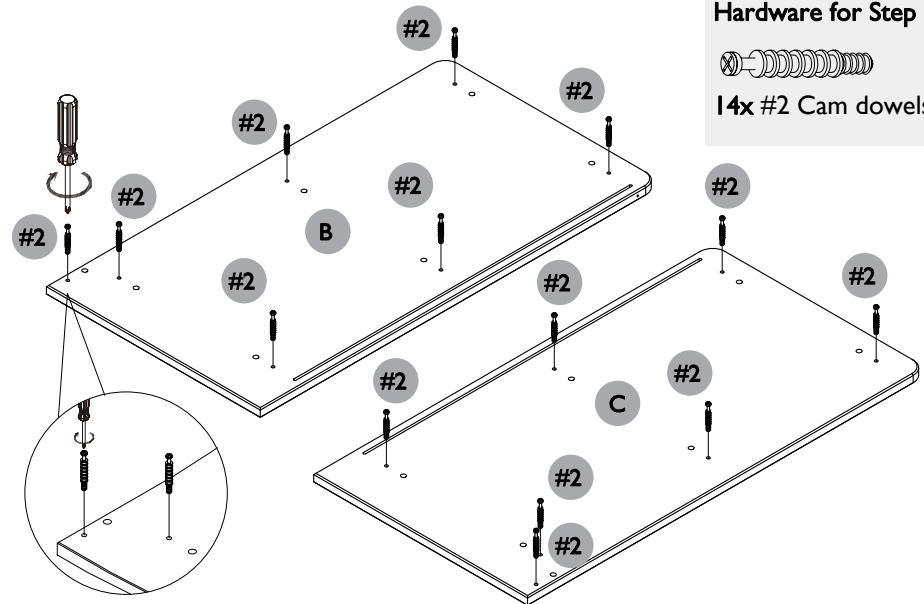
Take base panel E and connect with front panel F using the wooden dowels.

Ensure the large drill holes are underneath.

Hardware for Step 3:



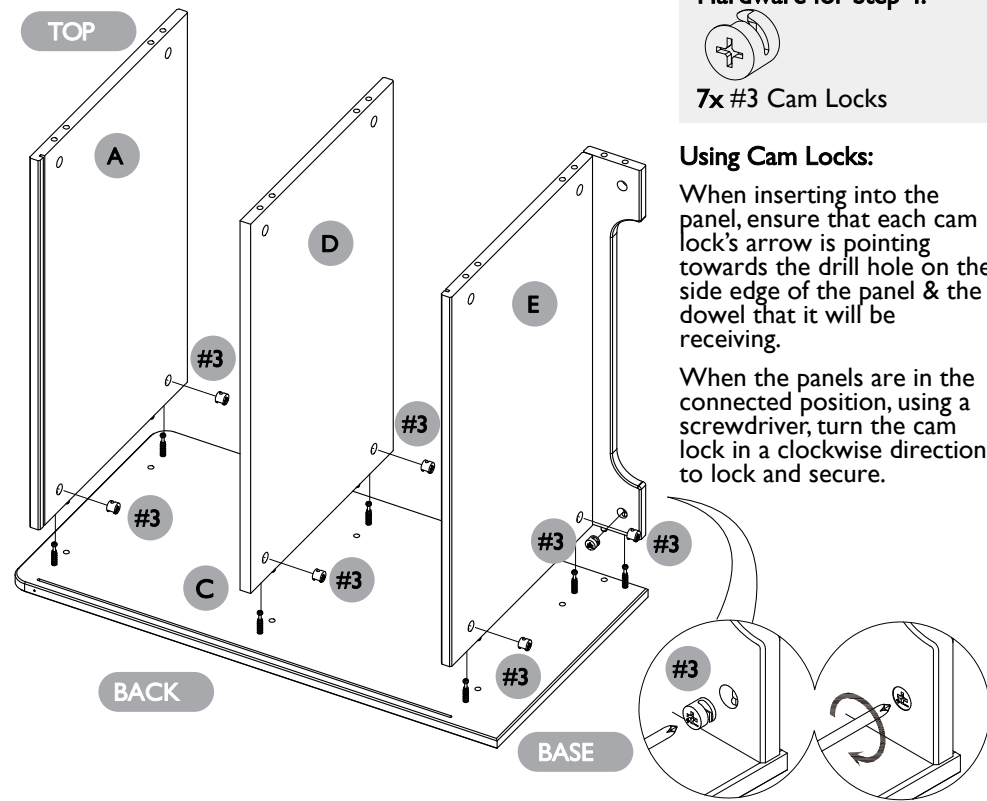
14x #2 Cam dowels



STEP 3:

Take both side panels (B & C) and insert 7x cam dowels (#2) into the smaller holes of BOTH panels as shown using a Phillips screwdriver.

Ensure all cam dowels are inserted to the collar of the hardware in order to connect properly with the cam lock.



Hardware for Step 4:



7x #3 Cam Locks

Using Cam Locks:

When inserting into the panel, ensure that each cam lock's arrow is pointing towards the drill hole on the side edge of the panel & the dowel that it will be receiving.

When the panels are in the connected position, using a screwdriver, turn the cam lock in a clockwise direction to lock and secure.

STEP 4:

Carefully place joined base panels E/F onto side panel C as shown. Ensure the large drill holes on panel E are facing outwards/down and the front panel feet are aligning with smooth edge of panel C.

When all hardware is aligned with the corresponding holes, push into place. Now insert 3x cam locks (#3) into the large holes by the joins on panels E/F and turn clockwise to secure.

Next take shelf panel D and with the large drill holes facing towards the previous panel, align and connect with panel C as shown. Insert 2x cam locks into the large holes on the panel and turn clockwise to secure.

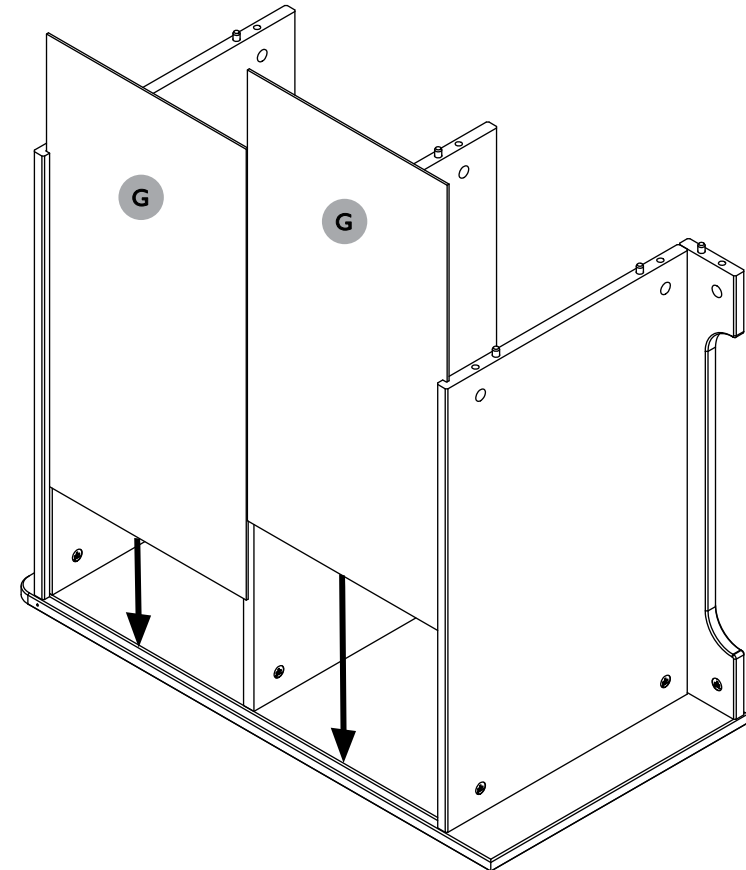
Finally take top panel A and align/connect with the remaining hardware on panel C at the top end. Again ensure the large drill holes are facing towards the previous panel, then insert 2x cam locks into the holes and turn clockwise to secure.

Orientation notes: The TOP of the side panels B & C has the more rounded corners. The BACK edge has the groove taken out of it, FRONT edge is smooth.

STEP 5:

Slide carefully back panels G into the grooves

Orientation Notes: The upper back panel has the label in the top left corner, the lower panel has the logo in the lower centre. These labels should be facing out

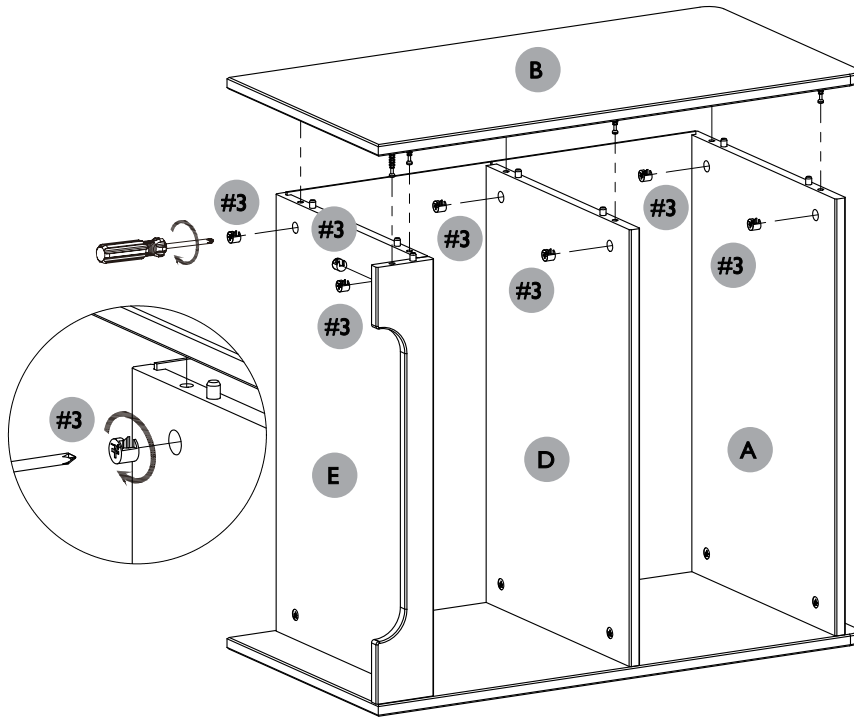


STEP 6:

How take remaining side panel B and position over the shelf unit aligning all the hardware with the corresponding holes on the receiving panels.

Push into place ensuring all points are connected.

Now insert 7x cam locks (#3) into the holes on the upper ends of panels A, D, E & F and turn clockwise to secure. Please ensure all 7 cam locks are inserted and tightened.



Hardware for Step 5:



7x #3 Cam Locks

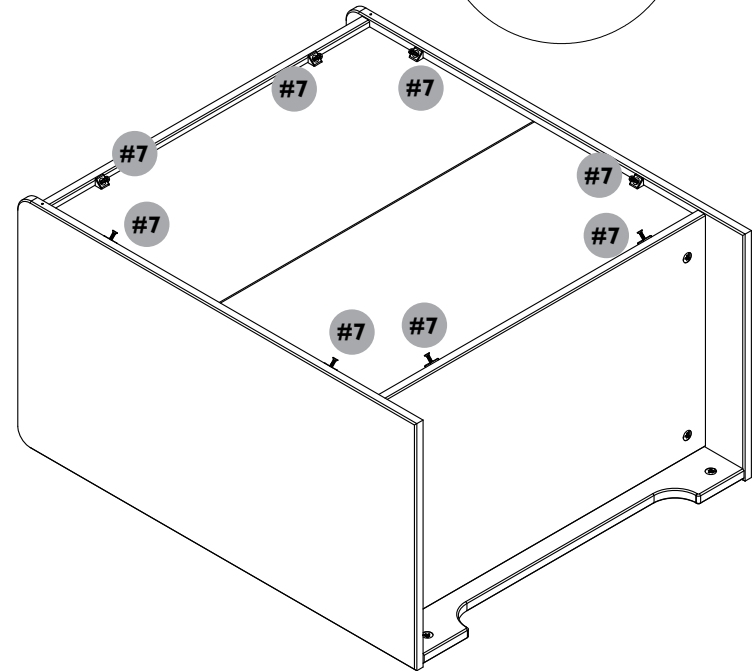
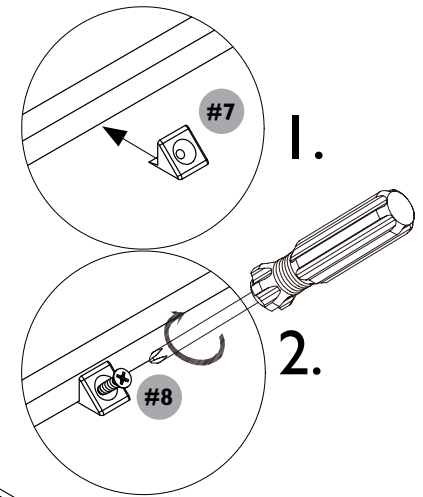
Hardware for Step 7:



8x #7 Rear Panel Holder



8x #8 Screw (20mm)



STEP 7:

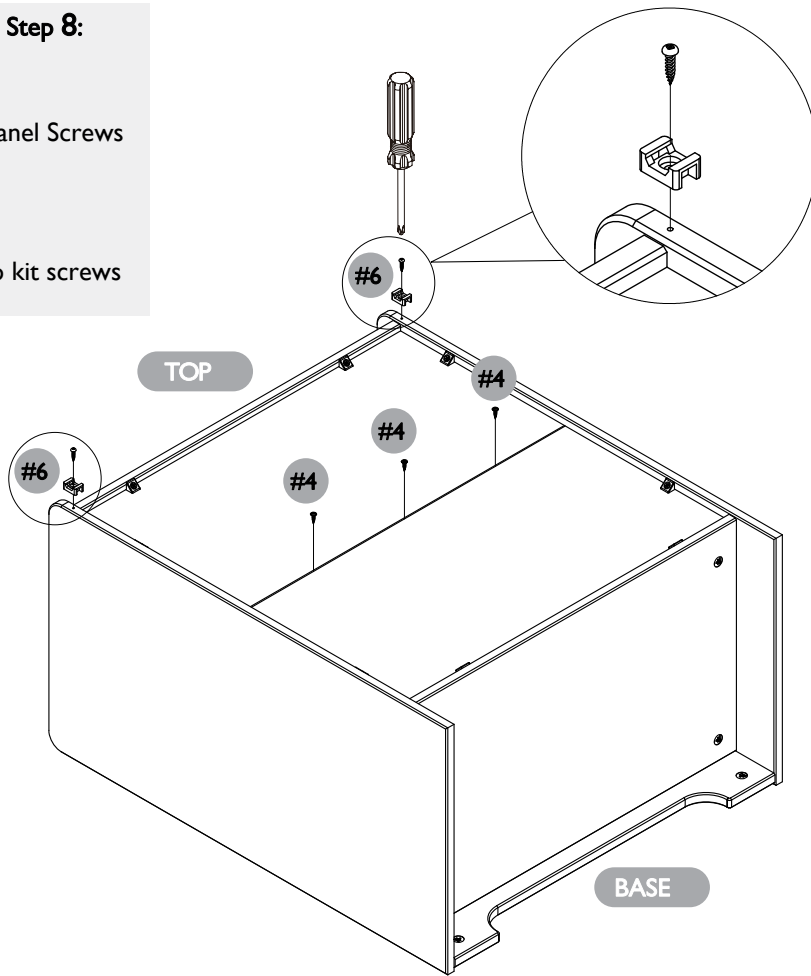
Carefully rotate the unit so the back edges are facing up.

Slide 8x rear panel holders (#7) into the grooves at the edges of the back panels in the positions shown. Secure with x8 screws (#8) using a Phillips screwdriver.

Hardware for Step 8:


3x #4 Back Panel Screws


1x #6 Anti-tip kit screws and brackets



STEP 8:

Finish fixing the back panels in place using 3x screws (#4).

Attach 2x anti-tip wall brackets using the screws in the anti-tip kit (#6) using the pilot holes in the top corners of the unit.

Use of Anti-tip Kit: If you are using the shelf unit/s away from the bed, we recommended that you secure the unit to the wall with the anti-tip kit that has been provided.

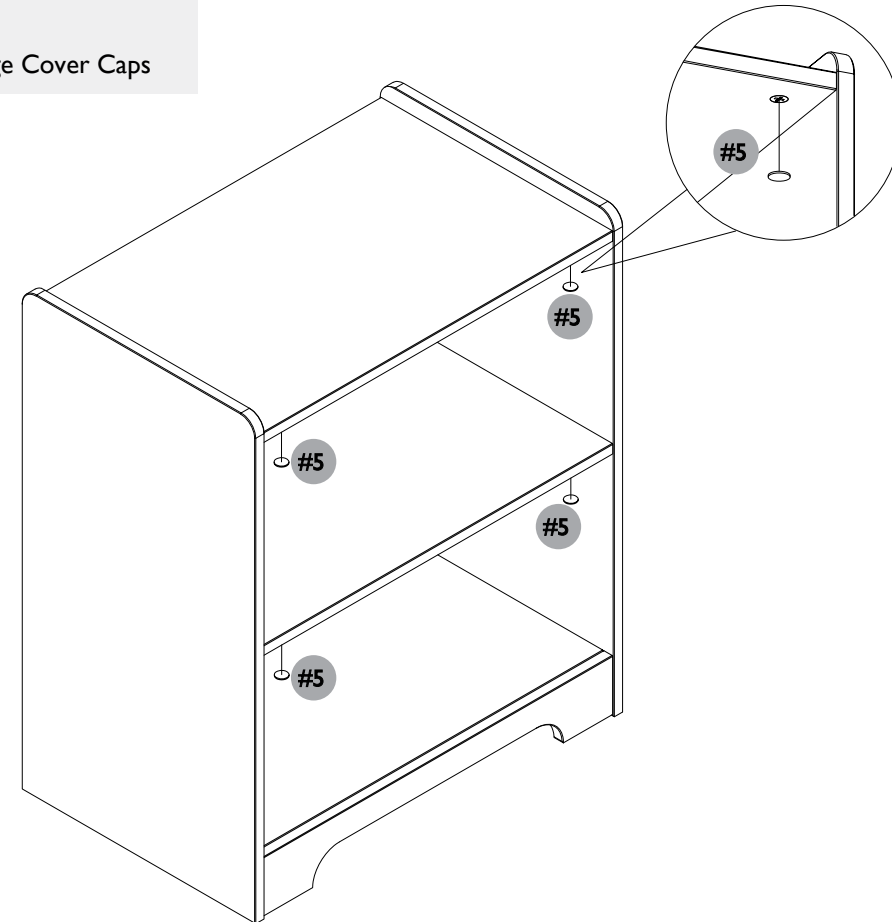
STEP 9: (if required):

Cover caps can be used to cover some of the more visible hardware if required. If you have younger children (0-3yrs) in the house, it is not recommended to use the cover caps until they are older as they could pose a choking hazard if swallowed.

The 8x larger covers (#5) are to cover the larger cam locks on panels A & D.

Hardware for Step 9:


8x #5 Large Cover Caps



Your shelf unit can now be turned over and is ready for use.