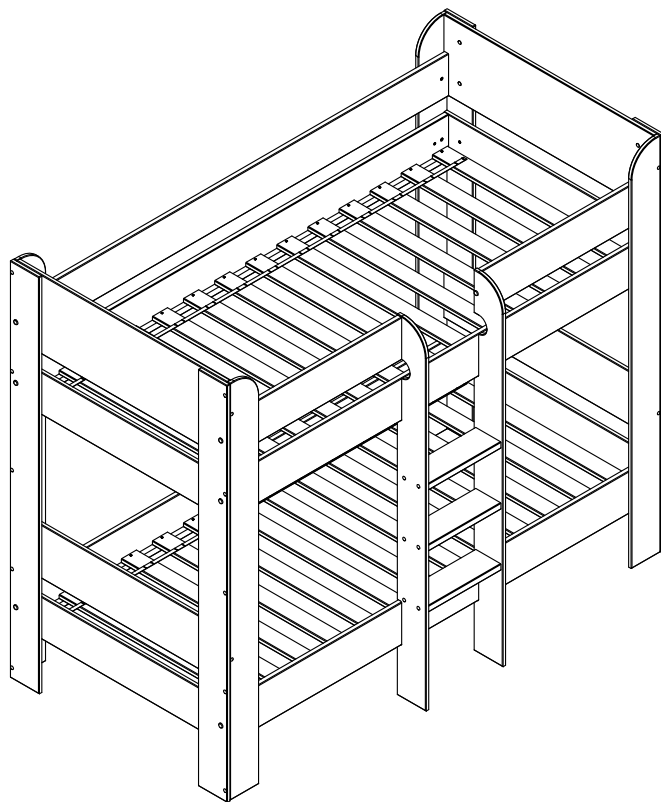




www.gltc.co.uk

Paddington Bunkbed L5479



Assembly Difficulty



easy - medium - hard



two-person job



09/12/2022

Thank you for shopping with GLTC, we hope you enjoy having this product in your home.

We know assembling furniture, toys or accessories is not everyone's favourite way to spend their time, so we've tried to make assembling this item as quick and painless as possible.

A few important pointers before you start:

- Please read the instructions right through before you start, and check that all the components have been included in the pack; we find separating all the hardware into piles makes it easier to be sure that everything is present and correct.
- Make sure you have the right tools. Allen keys are provided if required, but screw drivers and other tools are not. You'll find details of the tools you need at the beginning of the instructions.
- It's a good idea to build the unit in the room where you are going to be using it, to avoid the need to move it after it's been assembled.
- Do not throw away any packing materials until assembly is complete, just in case you accidentally discard smaller parts or hardware.

Safety Warnings:

- **IMPORTANT - READ CAREFULLY - RETAIN FOR FUTURE REFERENCE.**
- **WARNING!** High beds and the upper bed of bunk beds are not suitable for children under six years due to the risk of injury from falls
- **WARNING!** The bottom bunk is not suitable for children under 4 years.
- **WARNING!** Bunk beds and high beds can present a serious risk of injury from strangulation if not used correctly. Never attach or hang items to any part of the bunk bed that are not designed to be used with the bed, for example, but not limited to ropes, strings, cords, hooks, belts and bags.
- **WARNING!** Children can become trapped between the bed and the wall, a roof pitch, the ceiling, adjoining pieces of furniture (e.g. cupboards) and the like. To avoid risk of serious injury the distance between the top safety barrier and the adjoining structure shall not exceed 75 mm or shall be more than 230 mm
- **WARNING! DO NOT** use this item if any components are missing or damaged.
- This product has been designed, manufactured and tested to comply with BS EN 747-1:2012+A1:2015 & BS EN 747-2:2012+A1:2015
- Suitable for 190cm (length) x 90cm (width) x 15cm (height) mattress
- Assembly to be carried out by a competent adult only.
- Children should be kept away from the product during assembly to avoid any possible risk of injury
- In an unassembled state product contains small parts which may pose a choking hazard, not suitable for children under 3 years.
- Assemble and use on a flat and level surface.
- This product is heavy. We recommend that you build it where you are planning to use it.
- **WARNING.** Do not place this child's bed near heat sources, windows and other furniture.
- **DO NOT** use power tools in the assembly of this product as there is a risk of over-tightening and consequently splitting of the wood.
- **PLEASE RETAIN THESE INSTRUCTIONS FOR FUTURE REFERENCE.**

Customer Service:

- Should you have any queries regarding your product, missing parts or information and need help please follow the guidance below.
- For gltc.co.uk orders contact GLTC Customer Services on **0344 848 6000**.
- For all other orders please contact your retailer.
- Thank you for shopping with GLTC, we hope you enjoy having this product in your home.
- We know assembling furniture, toys or accessories is not everyone's favourite way to spend their time, so we've tried to make assembling this item as quick and painless as possible.

Product Care:

- Do NOT expose the item to extremes of heat and humidity.
- Wipe clean using a soft damp cloth followed by a dry cloth.
- Do NOT use cleaning products which contain ammonia, solvents or abrasive material.
- Check all fixtures and fittings regularly and tighten as necessary.
- Please ensure the room in which this bed is to be used is well ventilated or aired regularly in order to keep humidity low and to prevent mould in and around the bed.

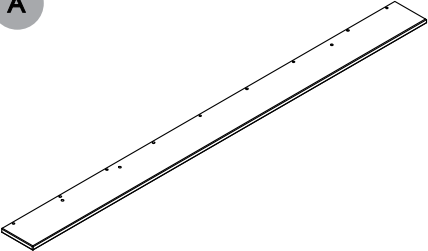
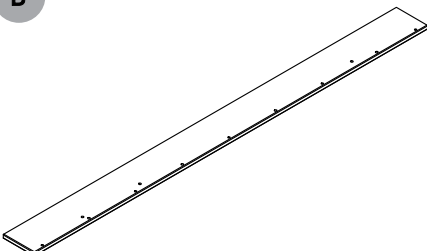
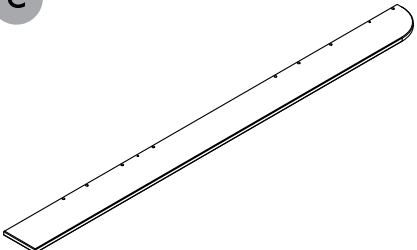
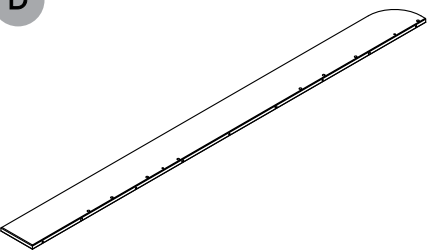
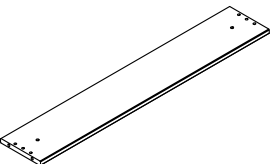
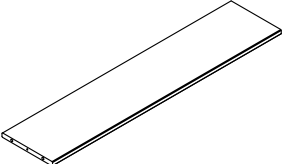
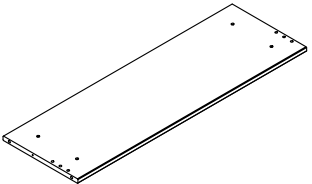
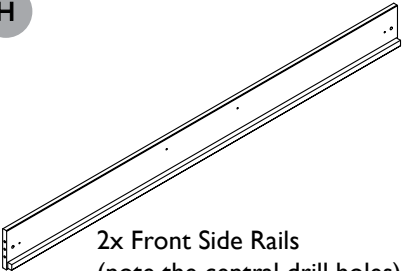
Could we do better?

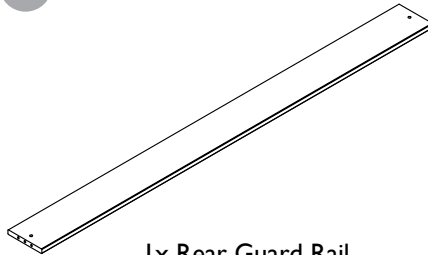
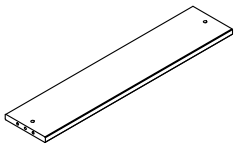
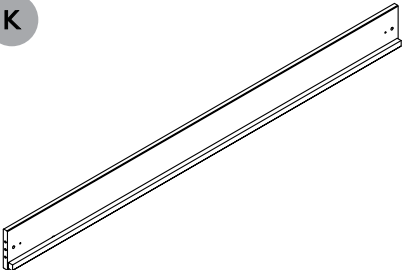
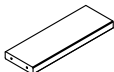
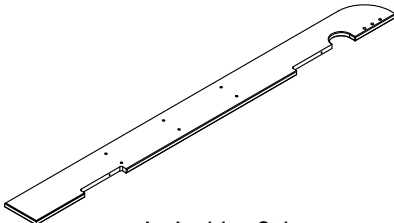
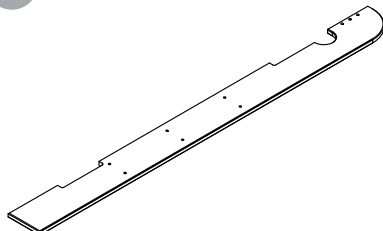
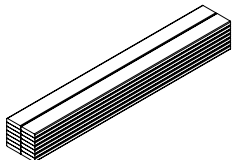
If there is anything you think could be improved in these instructions or in the assembly of this product we'd be grateful if you could let us know; we'll pass any helpful hints and tips on to other customers via our website and update the instructions.

All you need to do is drop us a line at instructions@gltc.co.uk

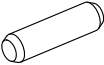
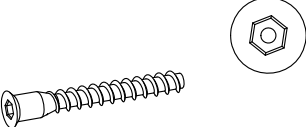


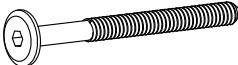


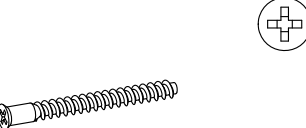


Thank you






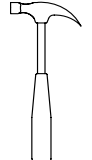
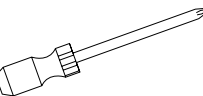
Component Check List

<p>A</p>  <p>2x RH Leg Side Panels</p>	<p>B</p>  <p>2x LH Leg Side Panels</p>
<p>C</p>  <p>2x RH Leg Front Panels</p>	<p>D</p>  <p>2x LH Leg Front Panels</p>
<p>E</p>  <p>4x Headboard Rails</p>	<p>F</p>  <p>2x Lower Bunk Headboards</p>
<p>G</p>  <p>2x Upper Bunk Headboards</p>	<p>H</p>  <p>2x Front Side Rails (note the central drill holes)</p>

<p>I</p>  <p>1x Rear Guard Rail</p>	<p>J</p>  <p>2x Front Guard Rails</p>
<p>K</p>  <p>2x Rear Side Rails</p>	<p>L</p>  <p>3x Tread Panels</p>
<p>M</p>  <p>1x Ladder Side</p>	<p>N</p>  <p>1x Ladder Side</p>
<p>O</p>  <p>2x Slat Sets</p>	

Hardware Check List

<p>#1</p>  <p>76x Wooden Dowels 30mm</p>	<p>#2</p>  <p>20x Bolts 50mm</p>
<p>#3</p>  <p>1x Allen Key</p>	<p>#4</p>  <p>32x Cover Caps 4x13mm</p>
<p>#5</p>  <p>12x Connecting Bolts 70mm</p>	<p>#6</p>  <p>2x Connecting Bolts 55mm</p>
<p>#7</p>  <p>14x Barrel nuts</p>	<p>#8</p>  <p>8x Connecting Screws 50mm</p>
<p>#9</p>  <p>8x Cover Caps 2.3x12mm</p>	<p>#10</p>  <p>14x Cover Caps 15x18mm</p>

<p>#11</p>  <p>4x Connecting Screws 55mm</p>	<p>#12</p>  <p>8x Screw 30mm</p>
<p>#13</p>  <p>16x Screws 25mm</p>	<p>#14</p>  <p>8x Flat Cover Caps 13mm</p>
<p>#15</p>  <p>56x Screws 40mm</p>	<p>#16 You will need (not supplied)</p>  <p>Hammer</p>
<p>You will need (not supplied)</p>  <p>Phillips Head Screwdriver</p>	

IMPORTANT NOTE: There are 3 styles of hardware included here that have two or three versions that are very similar in size.

Please separate all hardware and follow the guidance in the following pages to ensure you are using the correct sizes for each step. Use of the incorrect sized hardware could result in damaged panels.

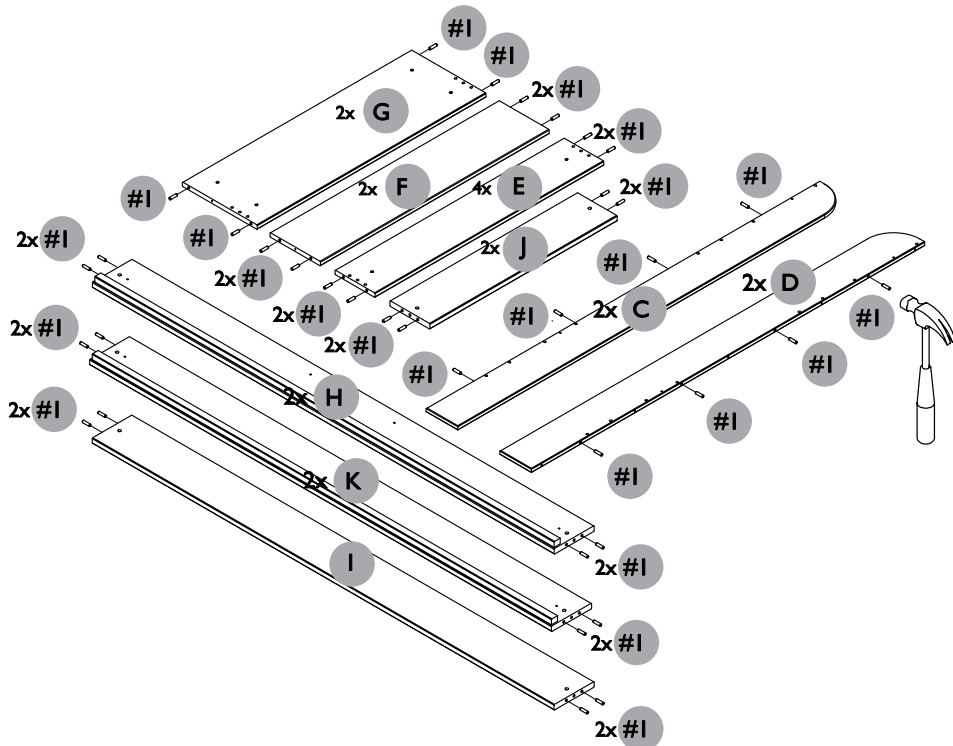
This bed is heavy and is best built in the room that it is intended for.

Please ensure you are building on a protective surface such as a carpet or rug to ensure the panels are not damaged during the build.

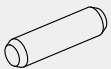
STEP 1:

Take the 2x upper bunk headboards (G), 2x lower bunk headboards (F), 4x headboard rails (E), 2x Front Guard Rails (J), 2x RH leg front panels (C), 2x LH leg front panels (D), 2x front side rails (H), 2x back side rails (K) and 1x rear guard rail (I) and insert the wooden dowels (#1) into the edges of the panels, as shown.

Lightly tap the dowels with a hammer for this step.



Hardware for Step 1:



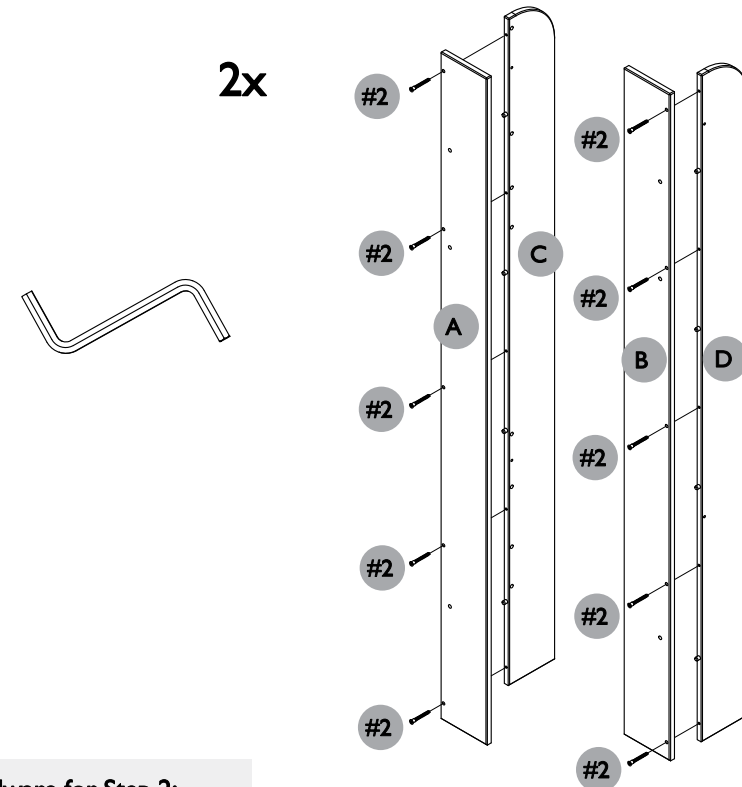
76x #1 Wooden Dowels 30mm

STEP 2: Build the leg structures.

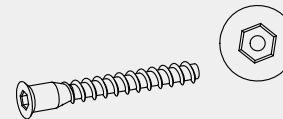
Start by securing one of the RH leg side panels (A) to one of the RH leg front panels (C) using 5x 50mm bolts (#2) in the positions shown. Tighten fully with the Allen key. Repeat for the second RH leg.

Now secure one of the LH leg side panels (B) to one of the LH leg front panels (D) using 5x 50mm bolts (#2). Repeat for the second LH leg.

Tighten fully with the Allen key.



Hardware for Step 2:



20x #2 Bolts (50mm)

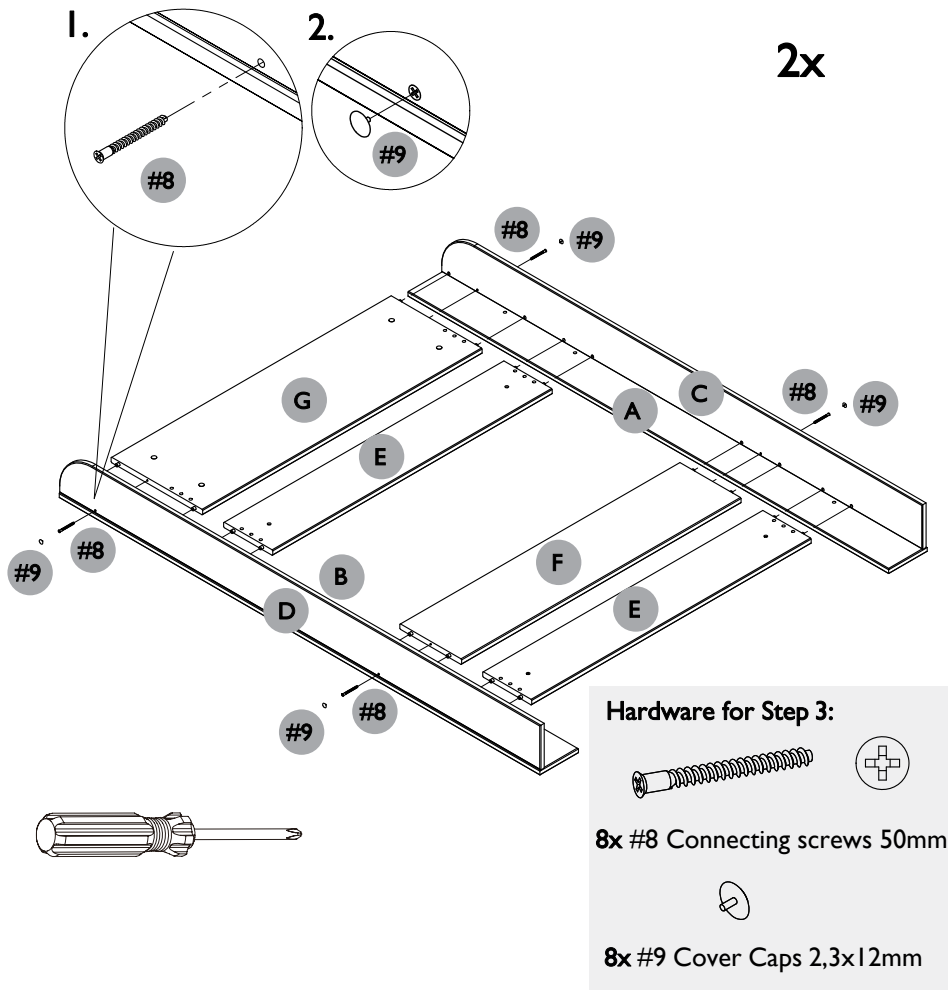
STEP 3: *It is suggested this step is completed on the floor.*

Assemble the bed end.

Place the prepared headboard and rail panels (G, E, F, E) in the positions shown with one set of LH & RH legs on each side.

Start with the LH leg side and use the dowels to locate all panels into LH assembled leg as shown. Fasten in place with 2x connecting screws 50mm (#8), then add 2x cover caps (#9). Now locate the RH assembled leg to the other end of the panels using the dowels and fix in place with 2x connecting screws 50mm (#8), then add 2x cover caps (#9).

Repeat this step for the second bed end.

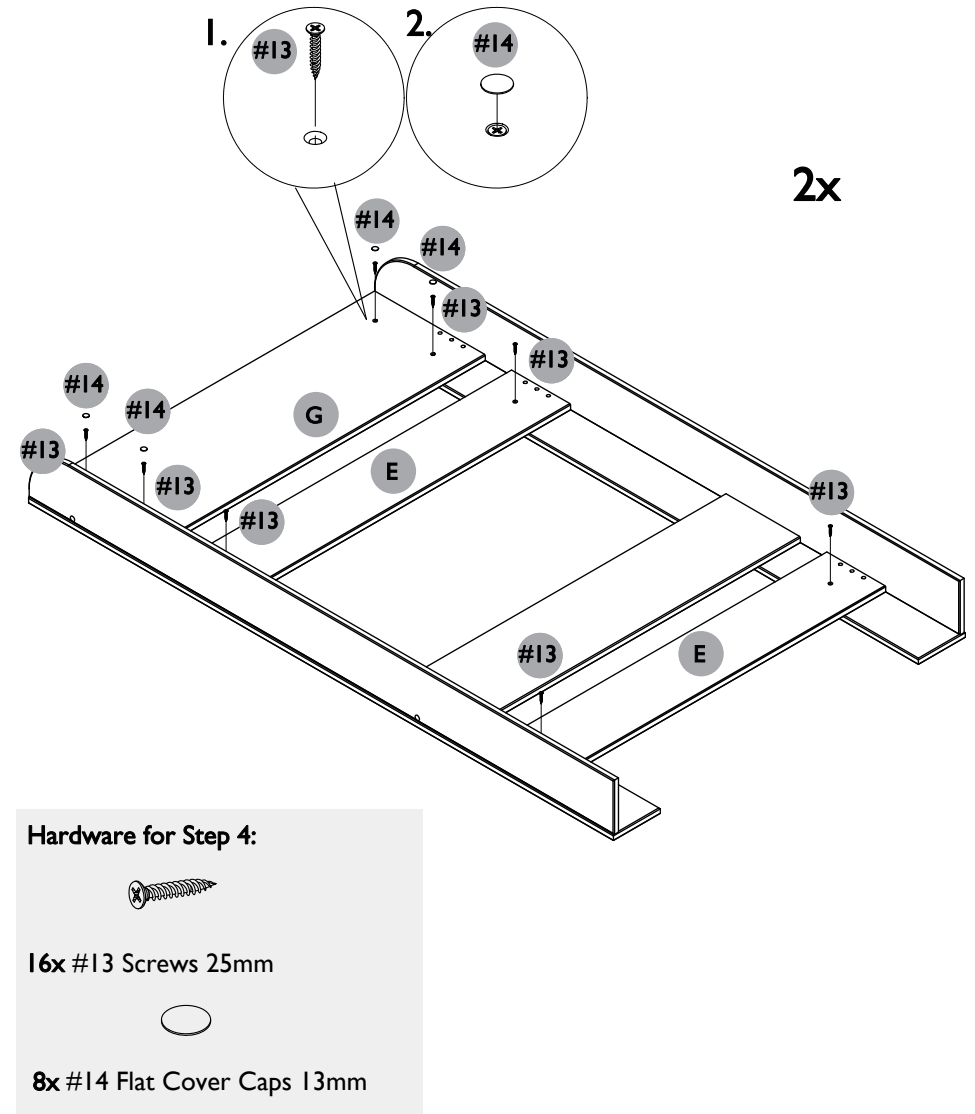


STEP 4: *It is suggested this step is completed on the floor.*

Secure the upper headboard (G) & 2x headboard rails (E) with 8x screws 25mm (#13) in the positions shown.

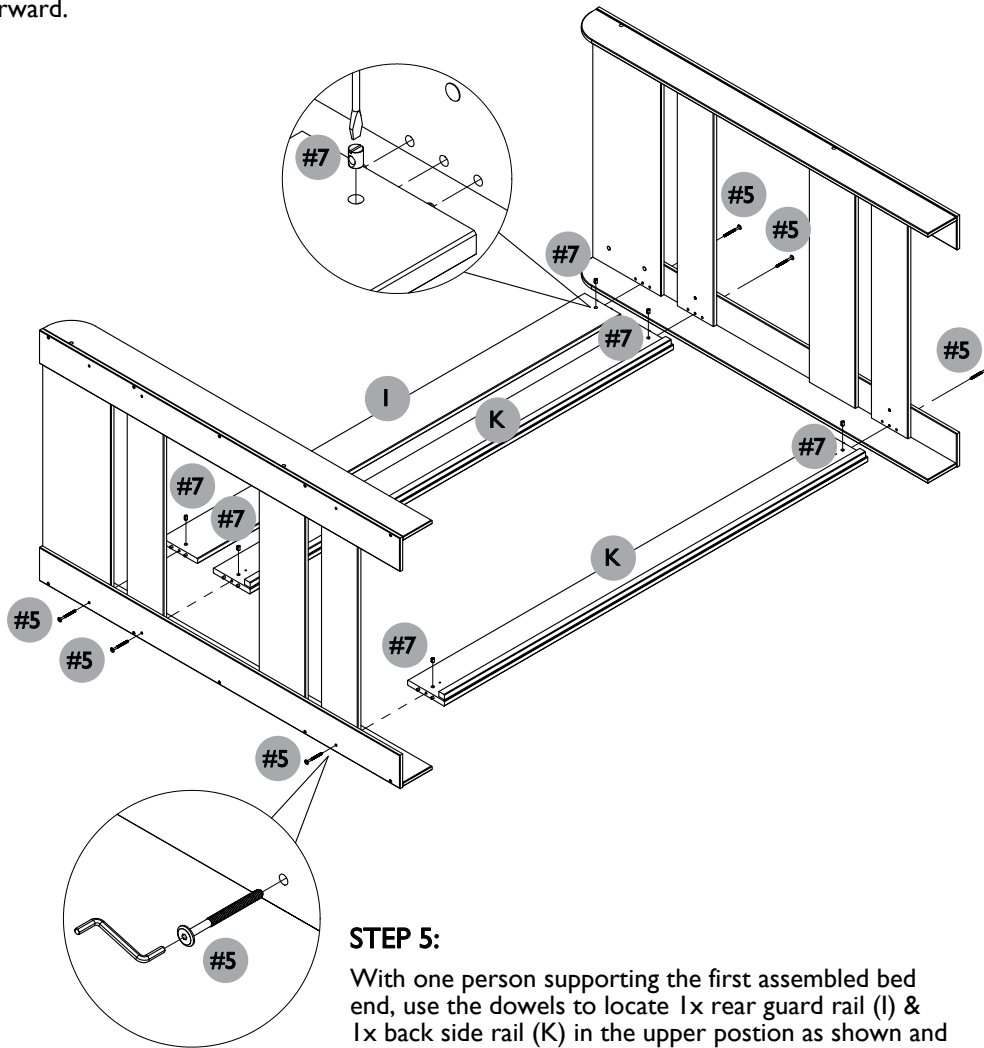
4x flat cover caps (#14) can be added to cover the visible hardware on panel G if required.

Repeat this step for the second bed end.



IMPORTANT:

Two people are required from this point forward.



STEP 5:

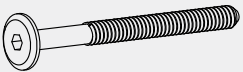
With one person supporting the first assembled bed end, use the dowels to locate 1x rear guard rail (I) & 1x back side rail (K) in the upper position as shown and insert 2x barrel nuts (#7) into the large holes on the panels. Now insert 2x connecting bolts (#5) through the leg into the panels. Keep finger tight at this stage.

Now take remaining back side rail (K) and attach in the lower position using 1x barrel nut (#7) and 1x connecting bolt (#5). Keep finger tight at this stage.

Repeat these steps with the second bed end.


DO NOT FULLY TIGHTEN - Leave all bolts finger tight at this stage to allow the next step to be completed.

Hardware for Step 5

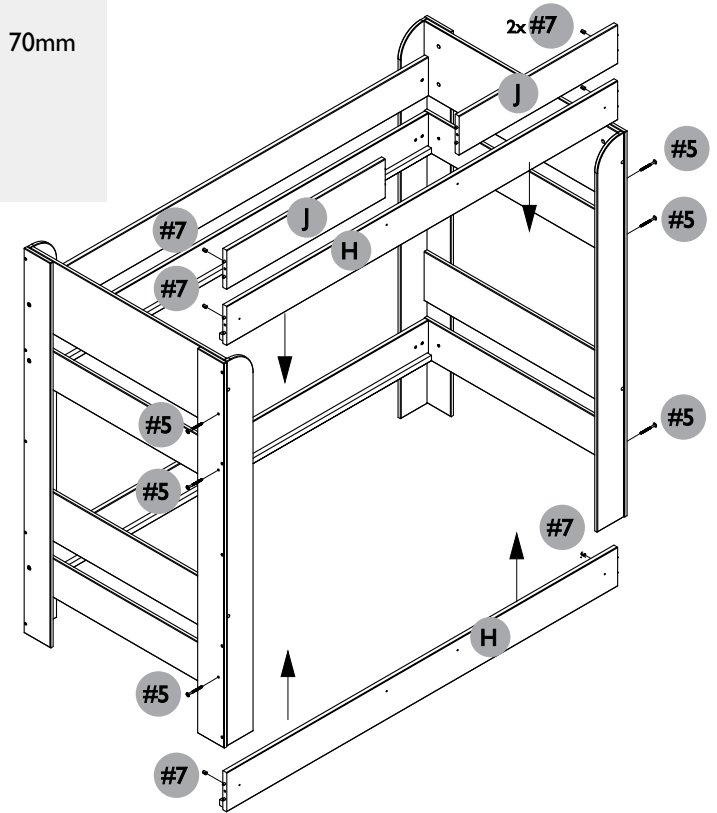

6x #5 Connecting Bolts 70mm


6x #7 Barrel Nuts

Hardware for Step 6:


6x #5 Connecting Bolts 70mm


6x #7 Barrel Nuts



STEP 6:

Carefully stand the bed on its feet.

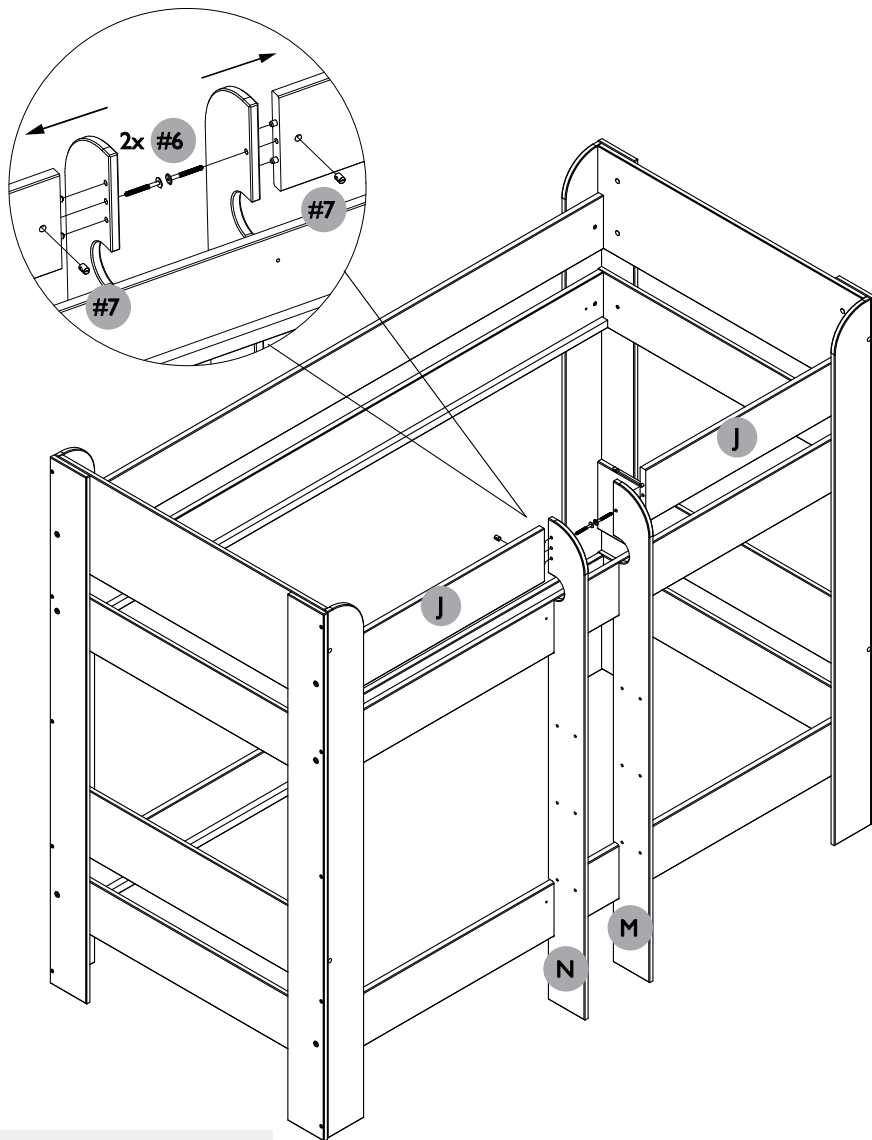
With one person supporting the panel, take 1x front side rail (H) and connect with one bed end at the lower position as shown using the dowels. Insert 1x barrel nut (#7) into the large hole on the side rail, then insert 1x connecting bolt (#5) through the leg into the panel and tighten with your fingers.

Repeat at the other end of the front side rail with the other bed end.

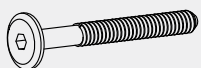
Repeat this step for the 2nd front side rail (H) in the upper position.

Now attach 2x front guard rails (J) to the bed ends above the upper side rail using 2x barrel nuts (#7) and 2x connecting bolts (#5). **FULLY TIGHTEN** these bolts. One person to support the unconnected ends if required.

Now go back and FULLY TIGHTEN all 12x bolts used in steps 5 & 6 using the Allen key provided.



Hardware for Step 7



2x #6 Connecting Bolts 55mm



2x #7 Barrel Nuts

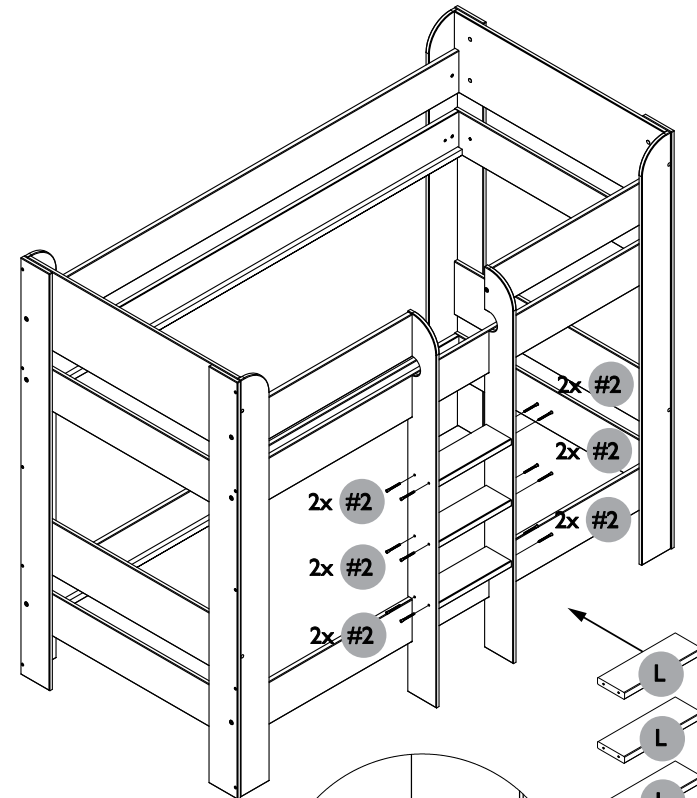
STEP 7:

Attach the ladder side panels (M & N) to the bed frame using the dowels. Insert 2x barrel nuts (#7) into the ends of both panels J and then insert 2x connecting bolts (#6) through the ladder sides into the panels to secure in place. Fully tighten using the allen key.

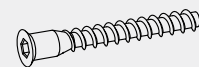
STEP 8:

Secure 3x ladder tread panels (L) to the ladder sides using 4x 60mm bolts (#3) for EACH tread.

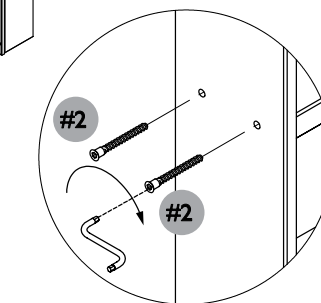
Fully tighten all the bolts with the allen key.



Hardware for Step 8:



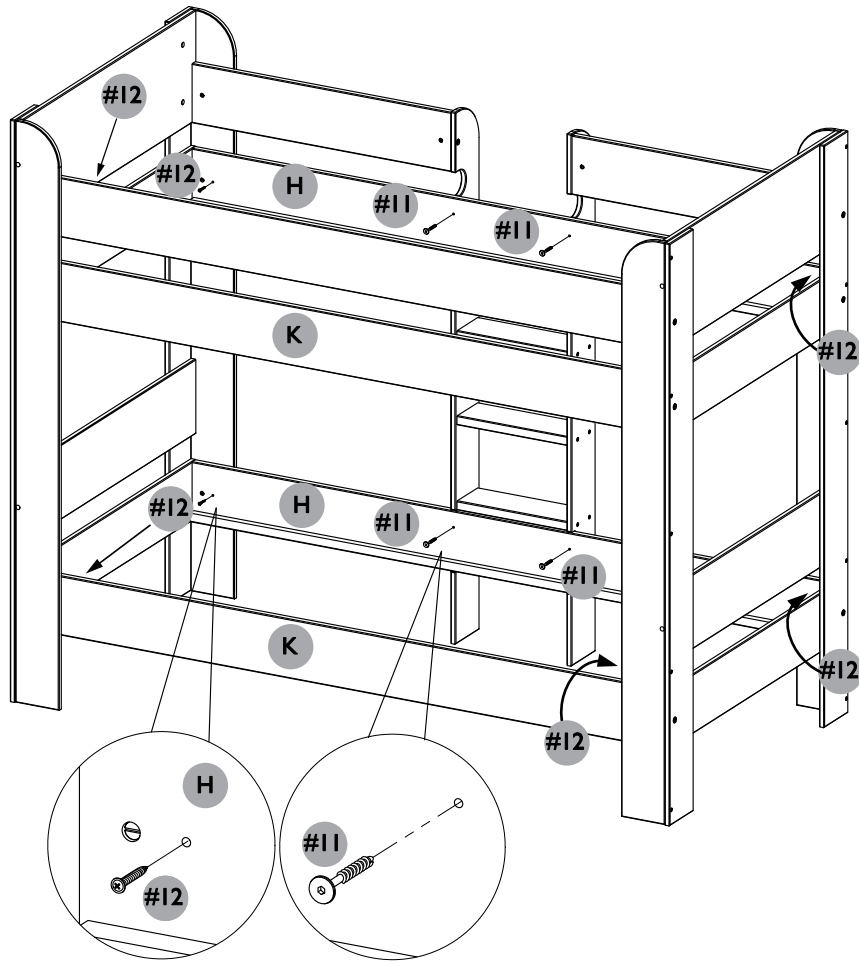
12x #2 Bolts 50mm



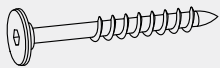
Please ensure the drill holes on the ladder sides are aligned with the drill holes on the tread before inserting & tightening hardware (#2) with the allen key.

STEP 9:

Secure the ladder to the upper & lower front side rail using 4x connecting screws (#11). Fully tighten with the Allen key. Insert and tighten 8x screw (#12) into upper and lower side rails (H & K) at BOTH ends.



Hardware for Step 9



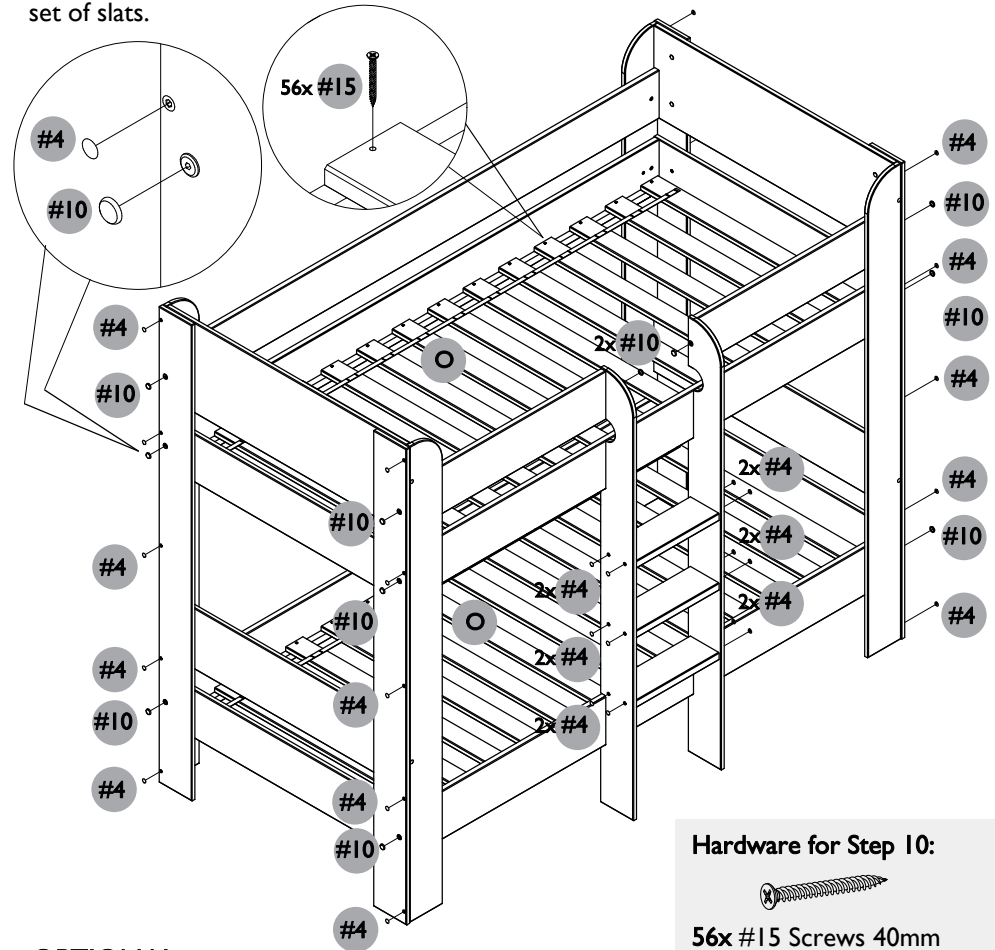
4x #11 Connecting Screws 55mm



8x #12 Screw 30mm

STEP 10:

Roll out and position the upper set of slats on to the slat support rail with the ribbon facing up. Push the end slat up against one headboard and fix in place at BOTH ends using 2x 40mm screws (#15). Now repeat at the other end of the bed with the other end slat. The slat ribbon will be taught. Now the end slats are in place, fix the remaining slats into position at BOTH ends using the 40mm screws (#15). Repeat with the lower set of slats.



OPTIONAL:

The cover caps (#10) can be used to conceal the bolt heads of hardware #5 & #6. The cover caps (#14) can be used to conceal the bolt heads of hardware #2 & #3. Ensure they are pushed firmly into place if used.

Do not use the caps if children under 3 years have access to the bed as they could become a choking hazard

Hardware for Step 10:



56x #15 Screws 40mm



14x #10 Cover Caps



32x #4 Cover Caps