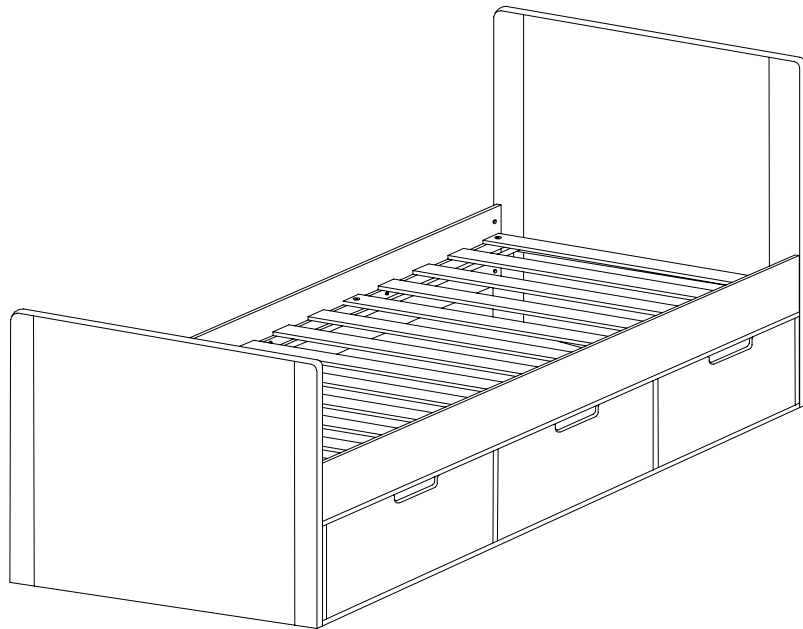




www.gltc.co.uk

Single Storage Bed



Assembly Difficulty



easy - medium - hard



two-person job



21/12/2022

Thank you for shopping with GLTC, we hope you enjoy having this product in your home.

We know assembling furniture, toys or accessories is not everyone's favourite way to spend their time, so we've tried to make assembling this item as quick and painless as possible.

A few important pointers before you start:

- Please read the instructions right through before you start, and check that all the components have been included in the pack; we find separating all the hardware into piles makes it easier to be sure that everything is present and correct.
- Make sure you have the right tools. Allen keys are provided if required, but screw drivers and other tools are not. You'll find details of the tools you need at the beginning of the instructions.
- It's a good idea to build the unit in the room where you are going to be using it, to avoid the need to move it after it's been assembled.
- Do not throw away any packing materials until assembly is complete, just in case you accidentally discard smaller parts or hardware.

IMPORTANT! READ CAREFULLY - KEEP FOR FUTURE REFERENCE

SAFETY WARNINGS!

- Assembly to be carried out by a competent adult only.
- Children should be kept away from the product during assembly to avoid any possible risk of injury.
- In an unassembled state product contains small parts which may pose a choking hazard, not suitable for children under 3 years.
- Assemble and use on a flat and level surface.
- This product is heavy. We recommend that you build it where you are planning to use it.
- DO NOT use power tools in the assembly of this product as there is a risk of over-tightening and consequently splitting of the wood.
- DO NOT use this item if any components are missing or damaged.
- This bed can be dismantled for storage or transportation
- PLEASE RETAIN THESE INSTRUCTIONS FOR FUTURE REFERENCE.
- WARNING! Not suitable for children under 4 years.
- This product has been designed, manufactured and tested to comply with BS 8509:2008+A1:2011.
- Suitable for 190cm (length) x 90cm (width) mattress
- DO NOT place this product near a window as it can be used as a step by the child and cause the child to fall out of the window.
- DO NOT place this product near a window where cords from blinds or curtains could strangle a child.
- The bed should be placed either tight to any wall or have a gap of 300mm between the wall and the side of the bed.
- WARNING. Do not place this child's bed near heat sources, windows and other furniture.
- Maximum weight of drawer is 15kgs. DO NOT overload.

Product care:

Do NOT expose the item to extremes of heat and humidity.

Wipe clean using a soft damp cloth followed by a dry cloth.

Do NOT use cleaning products which contain ammonia, solvents or abrasive material.

Check all fixtures and fittings regularly and tighten as necessary.

Customer Service:

Should you have any queries regarding your product, missing parts or information and need help please follow the guidance below. For gltc.co.uk orders contact GLTC Customer Services on 0344 848 6000. For all other orders please contact your retailer.

Thank you for shopping with GLTC, we hope you enjoy having this product in your home.

We know assembling furniture, toys or accessories is not everyone's favourite way to spend their time, so we've tried to make assembling this item as quick and painless as possible.

IMPORTANT! CONSERVEZ CES INSTRUCTIONS POUR TOUTE RÉFÉRENCE ULTÉRIEURE

AVERTISSEMENTS!

- L'assemblage peut être uniquement effectué par un adulte compétent.
- Les enfants doivent être tenus à l'écart du produit pendant l'assemblage pour éviter tout risque de blessure.
- Le produit non assemblé contient de petites pièces qui peuvent présenter un risque d'étouffement. Ne pas laisser à la portée des enfants de moins de 3 ans.
- Assemblez et utilisez le produit sur une surface plane et horizontale.
- Ce produit est lourd. Nous vous recommandons de le monter à l'endroit où vous comptez l'utiliser.
- NE PAS utiliser d'outils électriques pour l'assemblage de ce produit, car il existe un risque de serrage excessif et donc de fissure du bois.
- NE PAS utiliser cet article si des composants sont manquants ou endommagés.
- Ce lit peut être démonté pour le stockage ou le transport.
- CONSERVEZ CES INSTRUCTIONS POUR TOUTE RÉFÉRENCE ULTÉRIEURE.
- Avertissement ! Ne pas laisser à la portée des enfants de moins de 4 ans.
- Ce produit a été conçu, fabriqué et testé conformément à la norme BS 8509:2008+A1:2011.
- Convient pour 190cm (longueur) x 90cm (largeur) matelas
- NE PAS placer ce produit près d'une fenêtre, car l'enfant pourrait monter dessus et tomber par la fenêtre.
- NE PAS placer ce produit près d'une fenêtre où des cordons de stores ou de rideaux risqueraient d'étrangler un enfant.
- Le lit doit être bien serré contre n'importe quel mur ou avoir un espace de 300 mm entre le mur et le côté du lit.
- Avertissement! Ne placez pas ce lit d'enfant à proximité de sources de chaleur, de fenêtres et d'autres meubles.
- Poids maximum du tiroir 15kg. NE PAS surcharger.

Entretien du produit:

NE PAS exposer l'article à des conditions extrêmes de chaleur et d'humidité.

Nettoyez à l'aide d'un chiffon doux et humide, puis d'un chiffon sec.

NE PAS utiliser de produits de nettoyage contenant de l'ammoniac, des solvants ou des abrasifs.

Vérifiez régulièrement toutes les fixations et tous les raccords et resserrez-les si nécessaire.

Service clientèle:

Pour toute question concernant votre produit, des pièces ou informations manquantes, ou si vous avez besoin d'aide, suivez la procédure ci-dessous. Pour les commandes gltc.co.uk, contactez le service clientèle GLTC au 0344 848 6000. Pour toute autre commande, contactez votre revendeur.

Merci d'avoir fait vos achats chez GLTC. Nous espérons que vous apprécierez ce produit chez vous.

Nous savons que l'assemblage de meubles, de jouets ou d'accessoires n'est pas l'activité la plus agréable. C'est pourquoi nous avons essayé de rendre l'assemblage de cet article aussi rapide et facile que possible.

WICHTIG! BEWAHREN SIE DIESE ANLEITUNG BITTE ZUR SPÄTEREN REFERENZ SORGFÄLTIG AUF

WARNHINWEISE!

- Der Zusammenbau darf nur durch einen kompetenten Erwachsenen erfolgen.
- Kinder sollten während des Zusammenbaus von dem Produkt ferngehalten werden, um mögliche Verletzungen zu vermeiden.
- Im nicht zusammengebauten Zustand enthält das Produkt Kleinteile, die eine Erstickungsgefahr darstellen können und ist daher für Kinder unter 3 Jahren nicht geeignet.
- Auf einer ebenen Fläche zusammenbauen und verwenden.
- Dieses Produkt ist schwer. Wir empfehlen Ihnen, das Produkt an dem Ort aufzubauen, an dem Sie es verwenden möchten.
- Verwenden Sie bei dem Zusammenbau dieses Produkts KEINE Elektrowerkzeuge, da das Holz gegebenenfalls zu fest angezogen werden und dadurch splintern könnte.
- Verwenden Sie dieses Produkt NICHT, wenn Teile davon fehlen oder beschädigt sind.
- Dieses Bett kann zur Lagerung oder zum Transport zerlegt werden.
- BEWAHREN SIE DIESE ANLEITUNG BITTE ZUR SPÄTEREN REFERENZ SORGFÄLTIG AUF.
- Warnung! Nicht für Kinder unter 4 Jahren geeignet.
- Dieses Produkt wurde gemäß der Norm BS 8509:2008+A1:2011.
- Geeignet für 190cm (länge) x 90cm (breite) matratze
- Stellen Sie dieses Produkt NICHT in der Nähe eines Fensters auf, da es vom Kind als Tritt verwendet werden kann und das Kind aus dem Fenster fallen könnte.
- Stellen Sie dieses Produkt NICHT in der Nähe eines Fensters auf, da Kinder sich in den Schnüren von Jalousien oder Vorhängen strangulieren könnten.
- Das Bett sollte an einer beliebigen Wand stehen oder einen Abstand von 300 mm zwischen Wand und Bettseite haben.
- WARNUNG. Stellen Sie dieses Bett nicht in der Nähe von Wärmequellen, Fenstern und anderen Möbeln auf.
- Maximalgewicht der Schublade 15kg NICHT überladen.

Produktpflege:

Setzen Sie das Produkt NICHT extrem hoher Temperatur oder Feuchtigkeit aus.

Zum Reinigen mit einem weichen, feuchten Tuch und anschließend mit einem trockenen Tuch abwischen.

Verwenden Sie KEINE Reinigungsprodukte, die Ammoniak, Lösungsmittel oder Scheuermittel enthalten.

Überprüfen Sie regelmäßig alle Einbauten und Zubehör, und ziehen Sie sie bei Bedarf fest.

Kundendienst:

Sollten Sie Fragen zu Ihrem Produkt oder fehlenden Teilen haben und Hilfe benötigen, folgen Sie bitte den unten stehenden Anweisungen. Bei Bestellungen von gltc.co.uk wenden Sie sich bitte an den GLTC-Kundendienst unter +4420 (0) 344 848 6000. Für alle sonstigen Bestellungen wenden Sie sich bitte an Ihren Händler.

Vielen Dank, dass Sie sich für GLTC entschieden haben. Wir hoffen, dass Ihnen dieses Produkt viel Freude bereitet.

Wir wissen, dass nicht jeder seine Zeit gern mit dem Zusammenbau von Möbeln, Spielzeug oder Zubehör verbringt. Daher haben wir uns bemüht, die Montage dieses Produkt so schnell und einfach wie möglich zu gestalten.

¡IMPORTANTE! CONSERVE ESTAS INSTRUCCIONES PARA CONSULTARLAS EN EL FUTURO

ADVERTENCIAS!

- El montaje debe ser realizado únicamente por un adulto competente.
- Los niños deben mantenerse alejados del producto durante el montaje para evitar cualquier posible riesgo de lesiones.
- El producto contiene piezas pequeñas que, sin montar, pueden suponer un riesgo de asfixia, por lo que no es adecuado para niños menores de 3 años.
- El producto debe montarse y usarse sobre una superficie plana y nivelada.
- Se trata de un producto pesado. Le recomendamos que lo monte donde vaya a usarse.
- NO utilice herramientas eléctricas montar el producto, ya que existe el riesgo de que se apriete en exceso y, por consiguiente, se parta la madera.
- NO utilice este producto si falta algún componente o está dañado.
- Esta cama se puede desmontar para almacenamiento o transporte.
- CONSERVE ESTAS INSTRUCCIONES PARA CONSULTARLAS EN EL FUTURO.
- ADVERTENCIA! No apto para niños menores de 4 años.
- Este producto se ha diseñado, fabricado y probado de acuerdo con la norma BS 8509:2008+A1:2011.
- Apto para 190cm (longitud) x 90cm (ancho) colchón
- NO coloque este producto cerca de una ventana, ya que el niño puede utilizarlo para treparse y caerse por dicha ventana.
- NO coloque este producto cerca de una ventana en la que las cuerdas de las persianas o cortinas puedan estrangular al niño.
- La cama debe colocarse pegada a cualquier pared o tener un espacio de 300 mm entre la pared y el costado de la cama.
- ADVERTENCIA! No coloque esta cama para niños cerca de fuentes de calor, ventanas y otros muebles.
- Peso máximo del cajón: 15kg. NO lo sobrecargue.

Cuidado del producto:

NO exponga el producto a temperaturas extremas de calor y humedad.

Limpie el producto con un paño suave y húmedo seguido de un paño seco.

NO utilice productos de limpieza que contengan amoníaco, disolventes o material abrasivo.

Compruebe todas las fijaciones y conexiones regularmente y apriételas si es necesario.

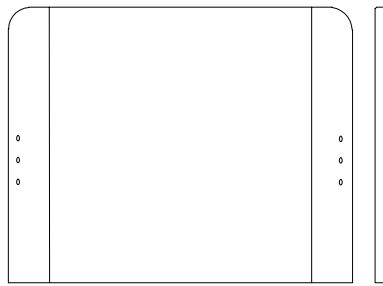
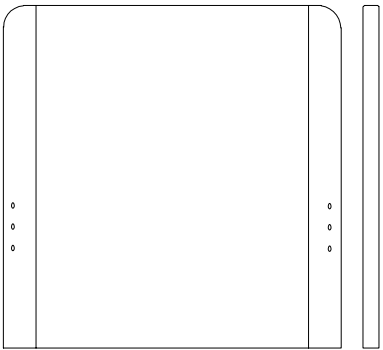
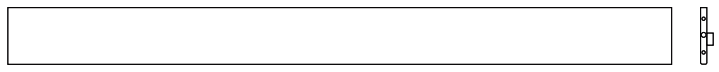
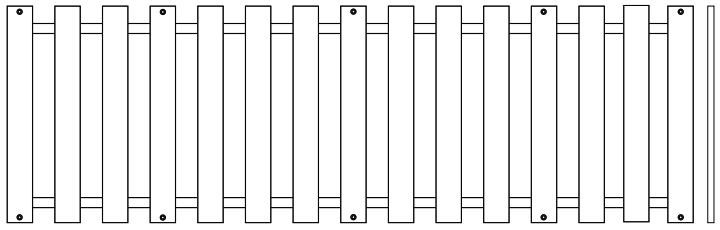
Servicio de atención al cliente:

Si tiene alguna pregunta sobre el producto, le faltan piezas o información y necesita ayuda, siga las instrucciones que se indican a continuación. Para los pedidos de gltc.co.uk, póngase en contacto con el servicio de atención al cliente de GLTC llamando al 0344 848 6000. Para el resto de pedidos, póngase en contacto con su distribuidor.

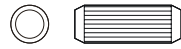

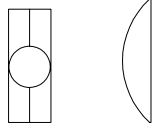
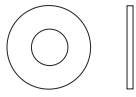

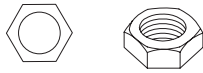
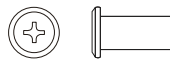
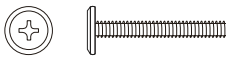
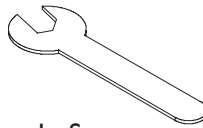

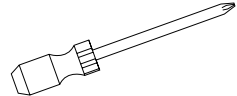
Gracias por comprar en GLTC. Esperamos que disfrute de su producto.

No a todo el mundo le gusta montar muebles, juguetes o accesorios. Por eso, hemos intentado hacer que el montaje de este producto sea lo más rápido y sencillo posible.

Component Check List

<p>A</p>  <p>1x Footboard</p>	<p>B</p>  <p>1x Headboard</p>
<p>C</p>  <p>2x Side Rails</p>	
<p>D</p>  <p>1x Set of Slats</p>	

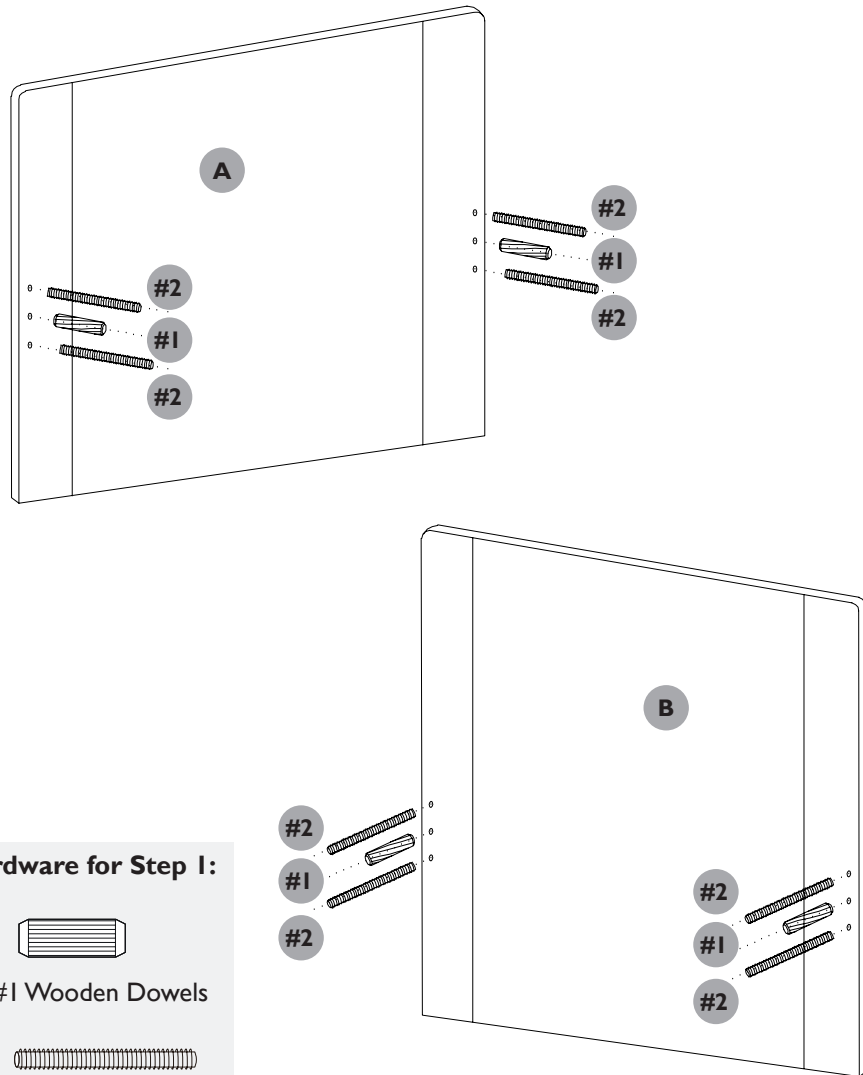
Component Check List

<p>#1</p>  <p>4x Wooden Dowels</p>	<p>#2</p>  <p>8x Threaded Rods</p>
<p>#3</p>  <p>8x Half-moon Washers</p>	<p>#4</p>  <p>8x Flat Washers</p>
<p>#5</p>  <p>8x Split Washers</p>	<p>#6</p>  <p>8x Nuts</p>
<p>#7</p>  <p>10x Top Hat Nuts</p>	<p>#8</p>  <p>10x Cross Head Bolts</p>
<p>#9</p>  <p>1x Spanner</p>	<p>#10</p>  <p>4x Storage Fixing Screws (used in final step of bed construction)</p>
<p>#11</p>  <p>1x You will need (not supplied) Philips Screwdriver</p>	

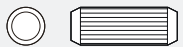
STEP 1:

Working on a protective surface such as a carpet or a rug, insert 4x threaded rods (#2) and x2 wooden dowels (#1) on BOTH footboard panel (A) and headboard panel (B) as shown.

Note: Insert the threaded rods with your fingers and insert them as far as they will go.



Hardware for Step 1:



4x #1 Wooden Dowels



8x #2 Threaded Rods

STEP 2:

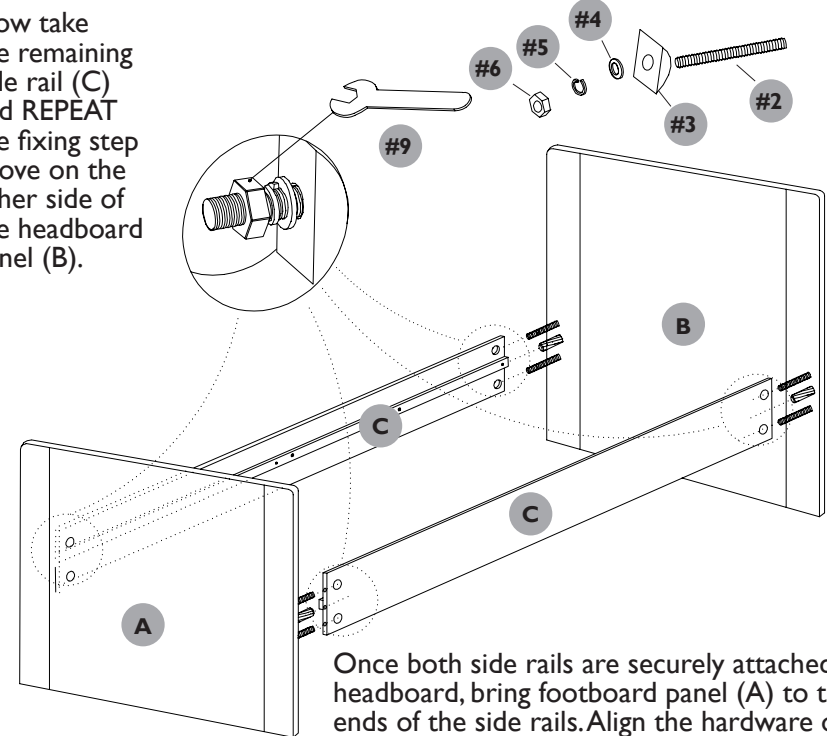
Note: Two people will be needed for this step. You risk damaging the bed if you do it on your own.

Lift 1x side rail (C) and align with the threaded rods and dowel on one side of headboard panel (B) and push into position with one person holding the other end of the rail.

To secure the side rail, thread 1x half-moon washer (#3) followed by 1x flat washer (#4), 1x split washer (#5) onto the threaded rod visible in the large hole on the side rail. Finally add 1x nut (#6) and fully tighten with the spanner (#9) provided. REPEAT fixing for the 2nd hole.

Note: Create a support to put under the end of the fixed side rail using the protective packaging in the box whilst you work on the other side or gently lower the side rail to rest on the floor.

Now take the remaining side rail (C) and REPEAT the fixing step above on the other side of the headboard panel (B).



Once both side rails are securely attached to headboard, bring footboard panel (A) to the open ends of the side rails. Align the hardware on the footboard with the drill holes on the rails and push into position. Now REPEAT the fixing step of the side rails (C) to the footboard (A) as above.

Ensure ALL 8x fixing points are FULLY TIGHTENED.

Hardware for Step 2:



8x #3 Half-moon Washers



8x #4 Flat Washers



8x #5 Split Washers

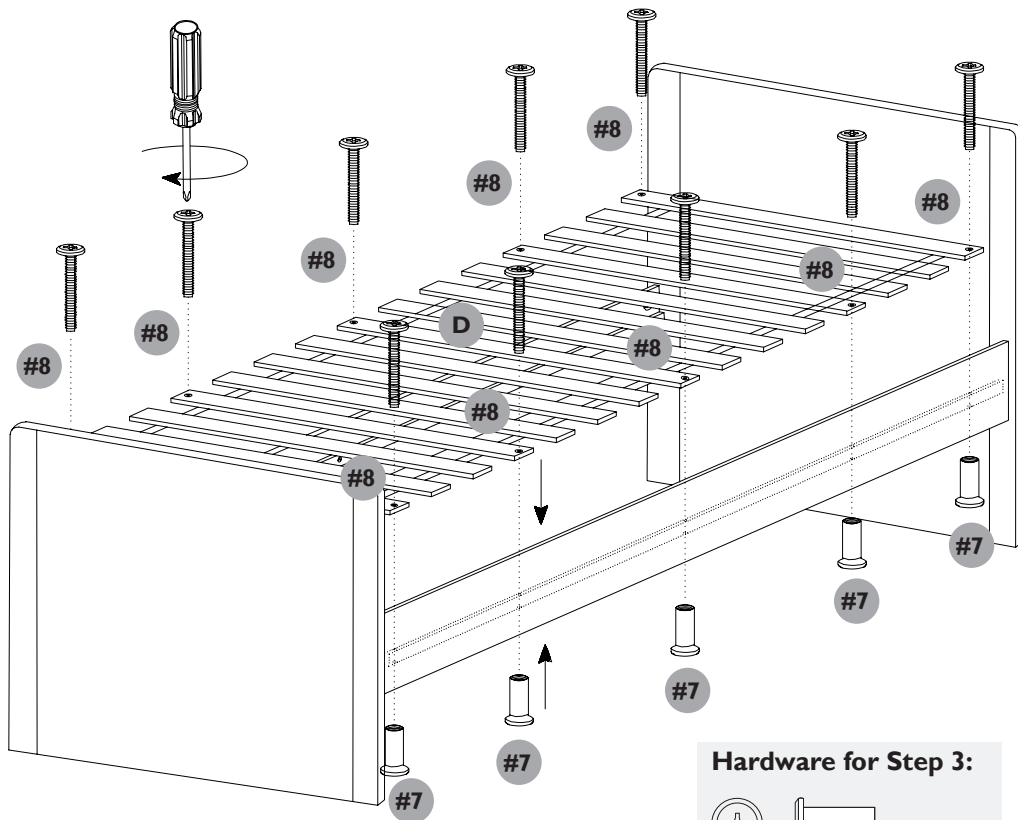


8x #6 Nuts

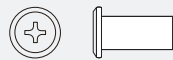
STEP 3:

Install the webbed slats (D) with the webbing face downwards. Secure them with 10x bolts (#8) and 10x top hat nuts (#7) using a Philips screwdriver.

Note: Insert the top hat nut on the underside of the rail first and hold it in position whilst you tighten the bolt from the top.



Hardware for Step 3:



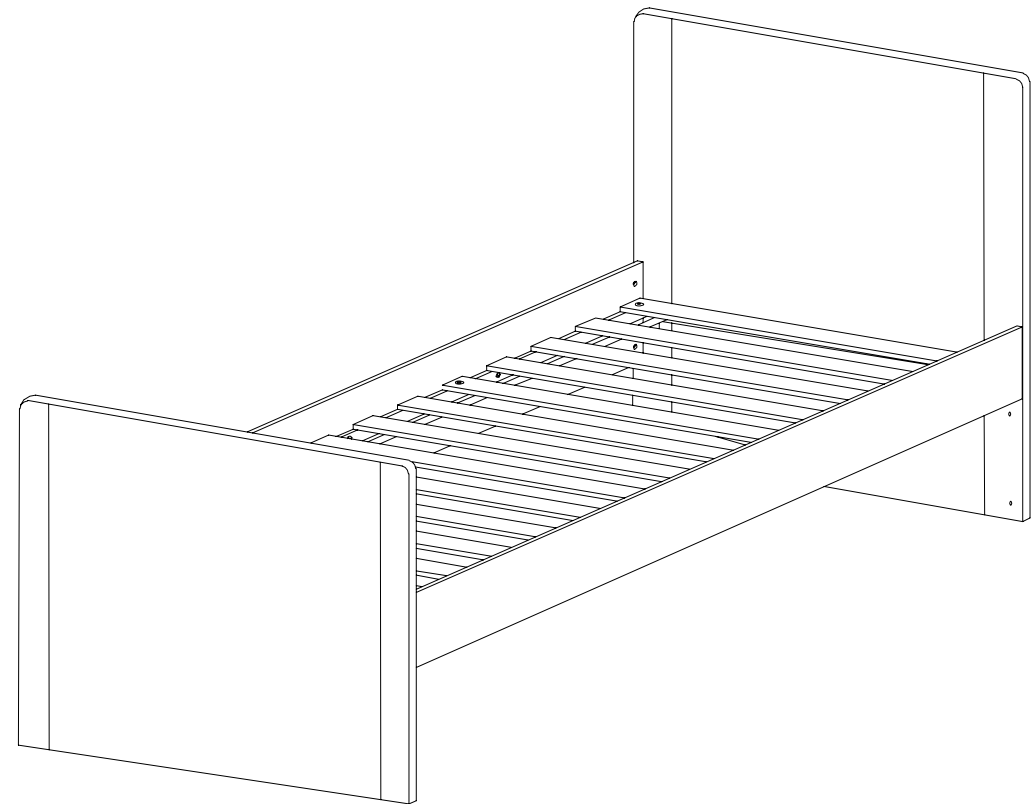
10x #7 Top Hat Nuts



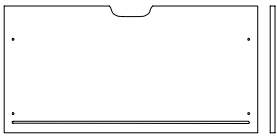
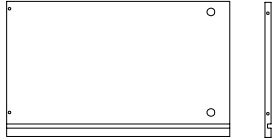
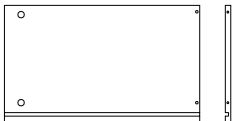
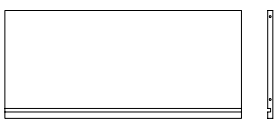
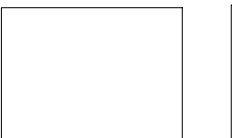
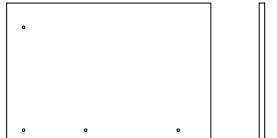

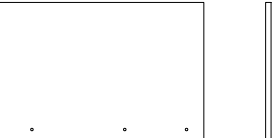

10x #8 Cross Head Bolts

STEP 4:

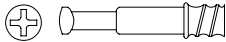
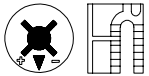




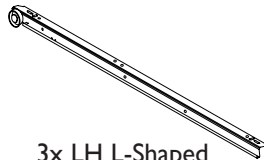
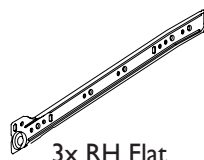

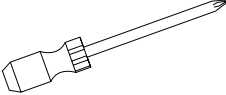
The bed frame is now ready. Now please build the storage section.



Component Check List

<p>E</p>  <p>3x Drawer Fronts</p>	<p>F</p>  <p>3x LH Drawer Sides</p>
<p>G</p>  <p>3x RH Drawer Sides</p>	<p>H</p>  <p>3x Drawer Backs</p>
<p>I</p>  <p>3x Drawer Bases</p>	<p>J</p>  <p>1x Storage End Panel</p>
<p>K</p>  <p>1x Storage End Panel</p>	<p>L</p>  <p>2x Storage Dividers</p>
<p>M</p>  <p>4x Storage Frame Panels</p>	

Component Check List

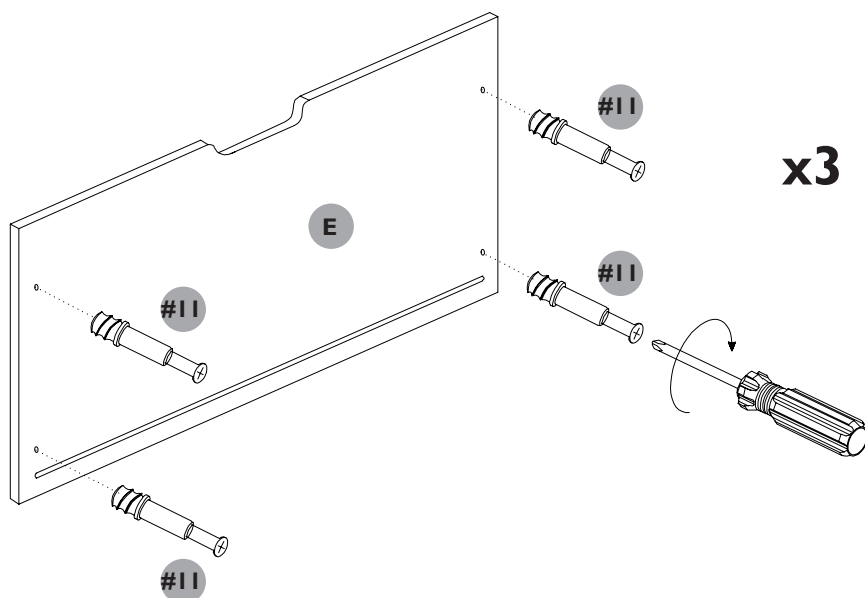
<p>#11</p>  <p>12x Cam Dowels</p>	<p>#12</p>  <p>12x Cam Locks</p>
<p>#13</p>  <p>36x Wood Screws (12mm)</p>	<p>#14</p>  <p>24x Wood Screws (40mm)</p>
<p>#15</p>  <p>12x Wood Screws (25mm)</p>	<p>#16</p>  <p>3x RH L-Shaped Runners</p>
<p>#17</p>  <p>3x LH L-Shaped Runners</p>	<p>#18</p>  <p>3x RH Flat Runners</p>
<p>#19</p>  <p>3x LH Flat Runners</p>	<p>#20</p>  <p>1x You will need (not supplied) Philips Screwdriver</p>

STEP 1:

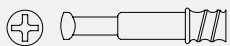
Prepare the drawers.

Take 1x drawer front (E) and insert 4x cam dowels (#11) as shown using a phillips screwdriver.

REPEAT for the remaining 2x drawer fronts (E)



Hardware for Step 1:



12x #11 Cam Dowels

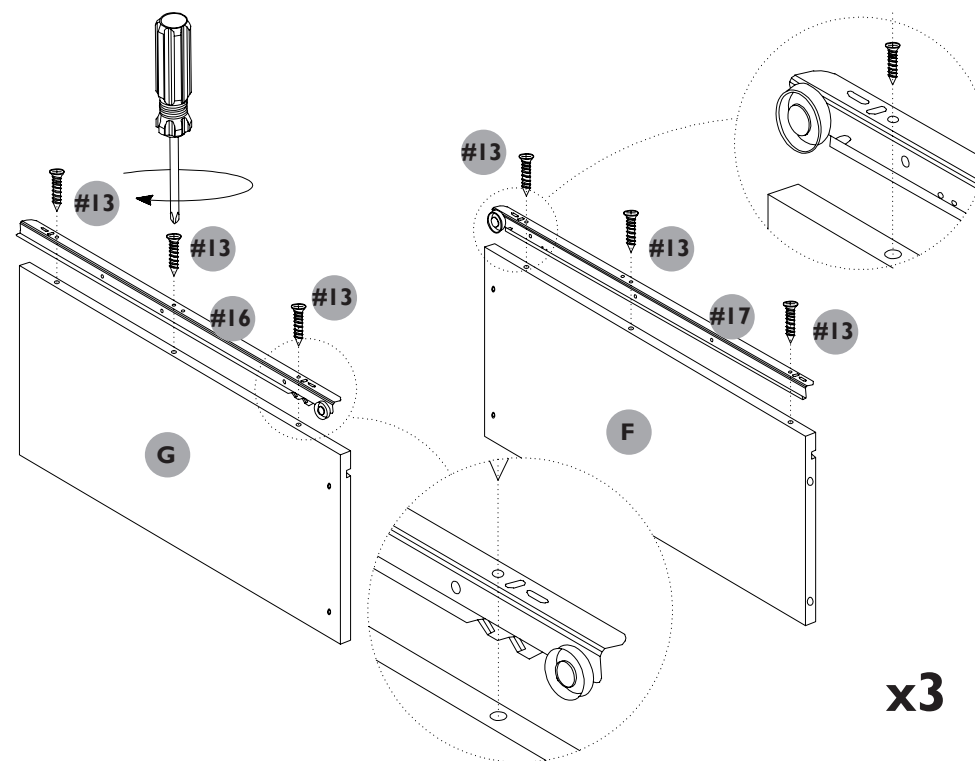
STEP 2:

Take 1x RH side panel (G) and attach 1x RH L-shaped runner (#16). The wheel of the runner should align with the drill holes on the short end face of the panel. Use the pilot holes shown to fix the runner in place with 3x 12mm wood screws (#13).

REPEAT this step with the remaining 2x side panels (G) and 2x runners (#16).

Now take 1x LH side panel (F) and attach 1x LH L-shaped runner (#17). The wheel of the runner should align with the drill holes on the short end face of the panel. Use the pilot holes shown to fix the runner in place with 3x 12mm wood screws (#13).

REPEAT this step with the remaining 2x side panels (F) and 2x runners (#17).



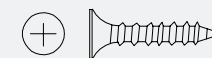
Hardware for Step 2:



3x #16 RH
L-Shaped Runners



3x #17 LH
L-Shaped Runners



18x #13 Wood Screws
(12mm)

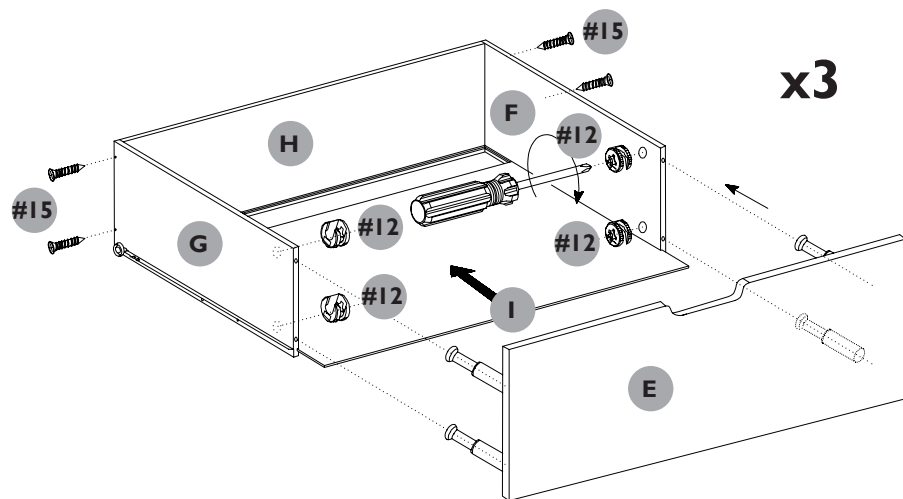
STEP 3:

Take 1x side panel (G) and join to 1x back panel (H) using 2x 25mm wood screws (#15). Now take 1x side panel (F) and join to the other side of back panel using 2x 25mm wood screws (#15).

Ensure the grooves are aligned on the inside of the drawer on all 3 panels.

Slide in drawer base panel (I) and follow with drawer front (E). When in position, fix drawer front (E) using 4x cam locks (#12). Turn clockwise to secure.

REPEAT for the remaining 2 drawers.



Hardware for Step 3:



12x #12 Cam Locks

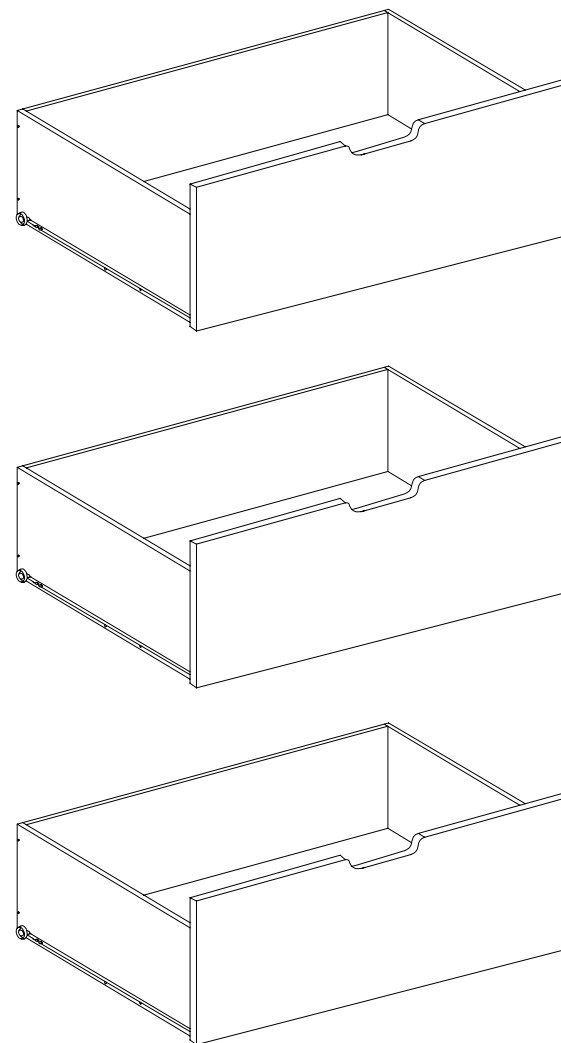


12x #15 Wood Screws
(25mm)

Using Cam Locks:

When inserting into the panel, ensure that each cam lock's arrow is pointing towards the drill hole on the side edge of the panel & the dowel that it will be receiving. When the panels are in the connected position, using a screwdriver, turn the cam lock in a clockwise direction to lock and secure.

STEP 4:



STEP 5:

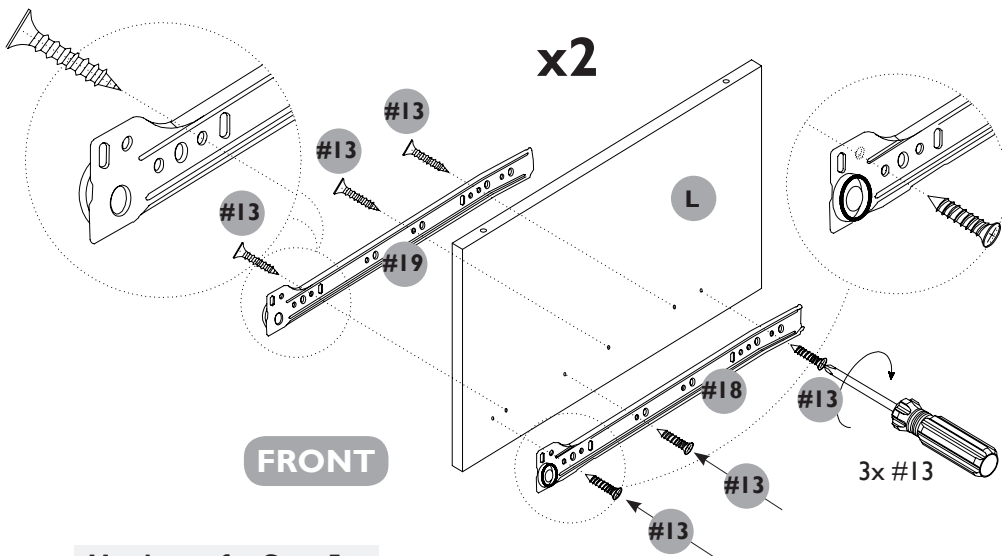
Create the storage frame.

Take 1x storage divider panel (L) and orientate the panel as shown. Attach 1x flat runner #18 to the side of the panel shown with 3x 12mm screws (#13) using the runner drill holes as shown.

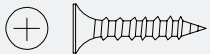
Now attach 1x flat runner (#19) to the other side of panel L with 3x 12mm screws (#13) using the runner drill holes as shown - they are a different set of holes to the runner on the other side.

Note: Please use the holes shown to attach the runners as it will mean they sit in the correct place. They will be 15mm from the front edge of the panel. The wheel must be by the front edge.

REPEAT this step for the 2nd storage divider panel L.



Hardware for Step 5:



12x #13 Wood Screws
(12mm)



2x #19 LH Flat Runners



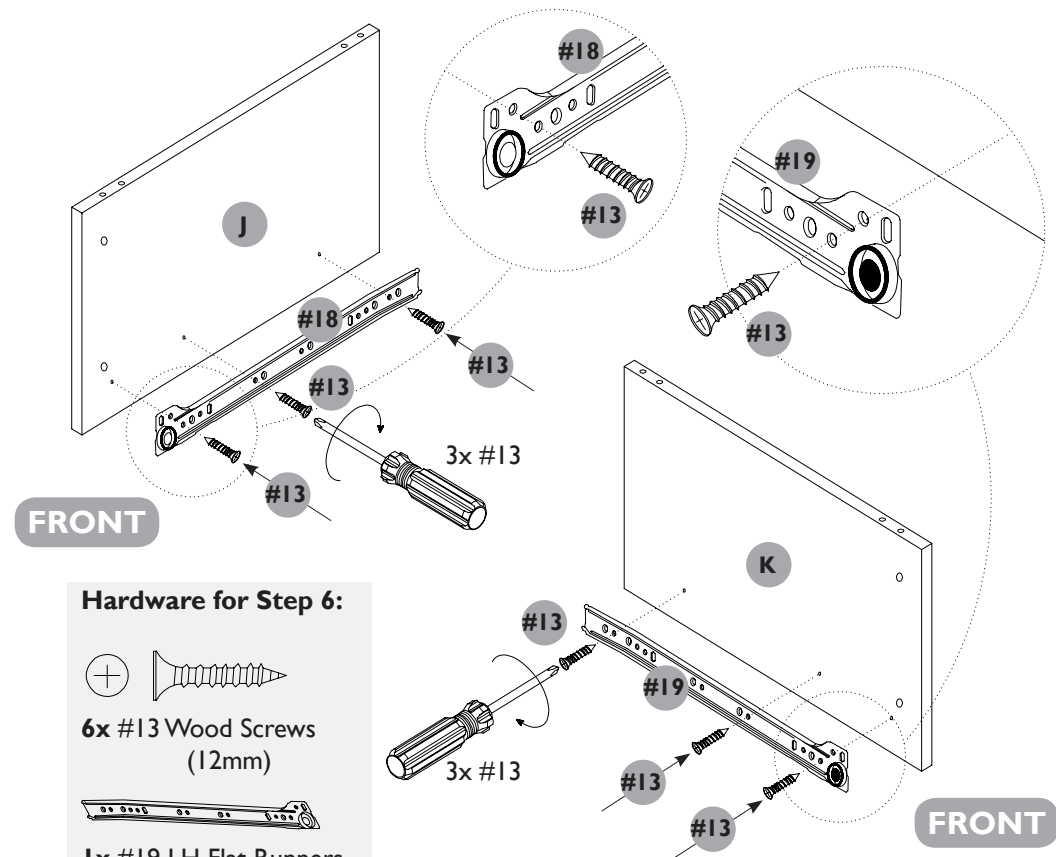
2x #18 RH Flat Runners

STEP 6:

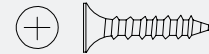
Take storage end panel (J) and attach 1x flat runner (#18) with 3x 12mm wood screws (#13) using the runner drill holes shown.

Take storage end panel (K) and attach 1x flat runner (#19) with 3x 12mm wood screws (#13) using the runner drill holes shown.

Note: Please use the holes shown to attach the runners as it will mean they sit in the correct place. They will be 15mm from the front edge of the panel. The wheel must be by the front edge.



Hardware for Step 6:



6x #13 Wood Screws
(12mm)



1x #19 LH Flat Runners



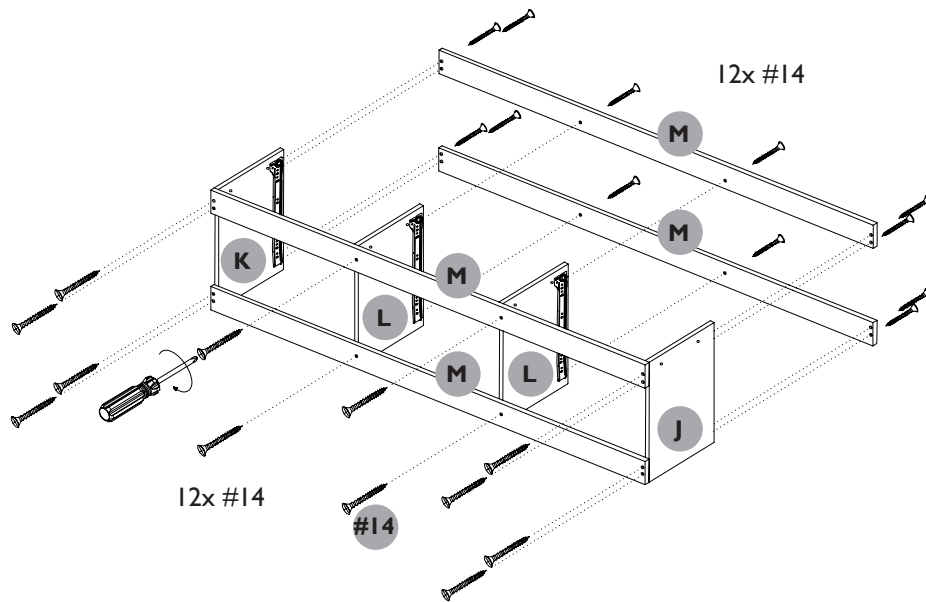
1x #18 RH Flat Runners

STEP 7:

Attach 2x storage frame panels (M) to the top of end panels (K & J) using 2x 40mm wood screws on each connection. Then add the 2x divider panels (L) to the frame using 1x 40mm wood screw for each connection.

Note: Ensure all the runners are facing the same way on all end/divider panel. The edge where the wheels are will be the front.

When you are happy all the panels are facing the right way, add the final 2x storage frame panels (M) to the bottom of the end and divider panels using 12x 40mm wood screws (#14).



NOTE: If you have a bed with 2 sets of storage, repeat steps 1-7 and build the second set of storage drawers.

Hardware for Step 7:

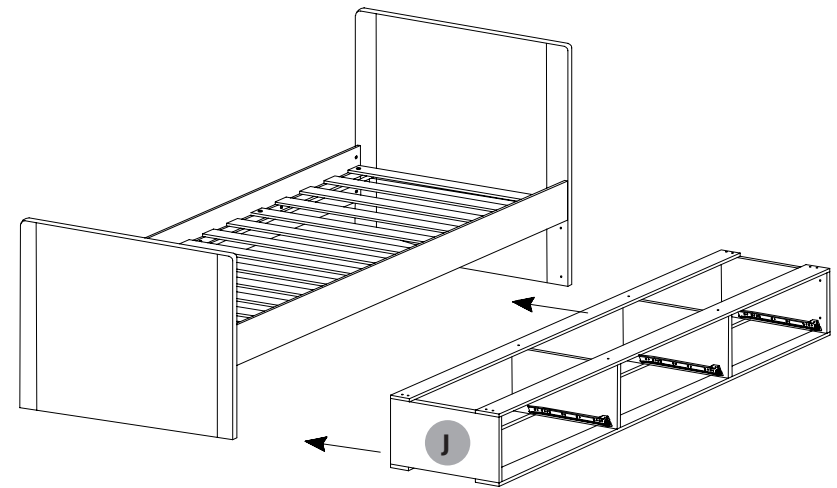


24x #14 Wood Screws
(40mm)

STEP 8:

Position your bed where you intend to use it. Insert the storage frame into the bed frame.

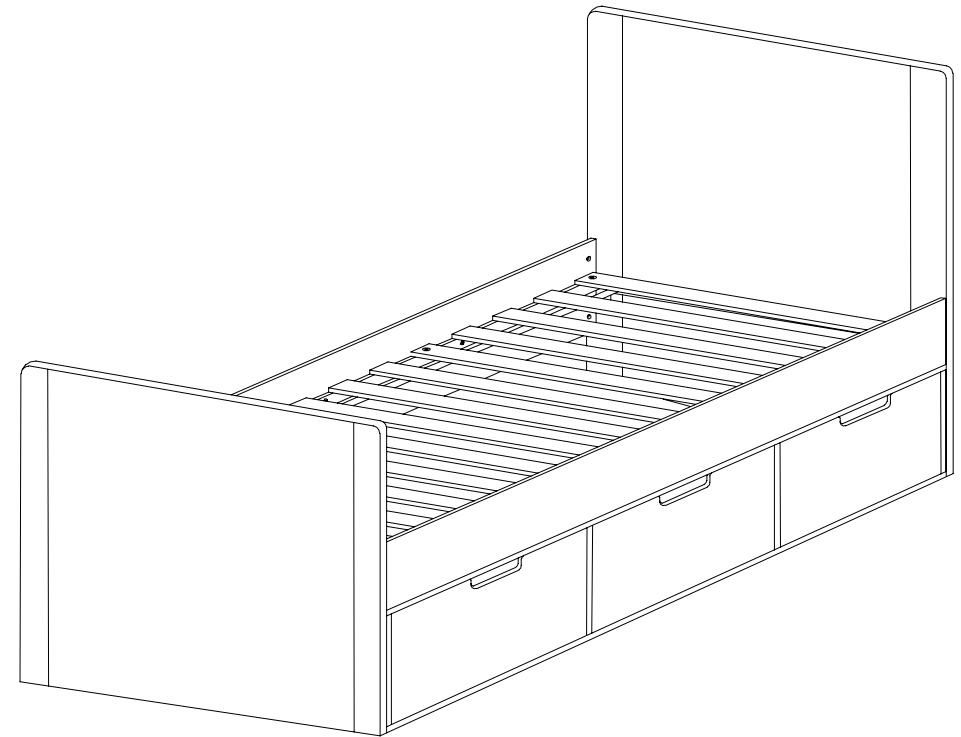
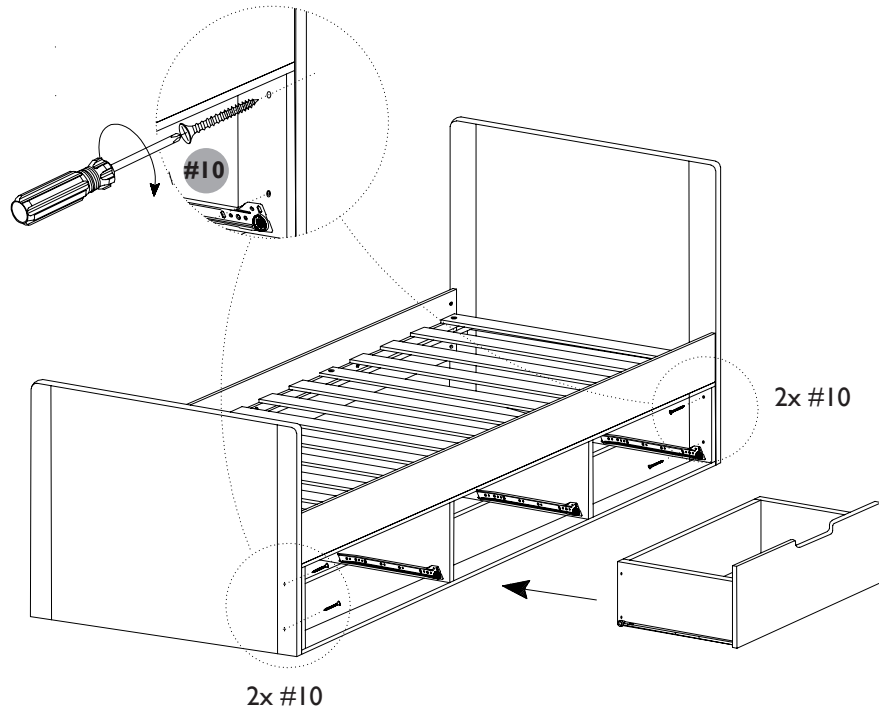
NOTE: If you have 2 sets of storage, please put one each side of the bed.



STEP 9:

Fix the storage unit in place to the bed using 4x fixing screws (#10) before inserting the 3x drawers.

NOTE: If you have a second set of storage, please fix this to the bed using the extra set of hardware provided.



Hardware for Step 9:



4x #10 Storage Fixing
Screws