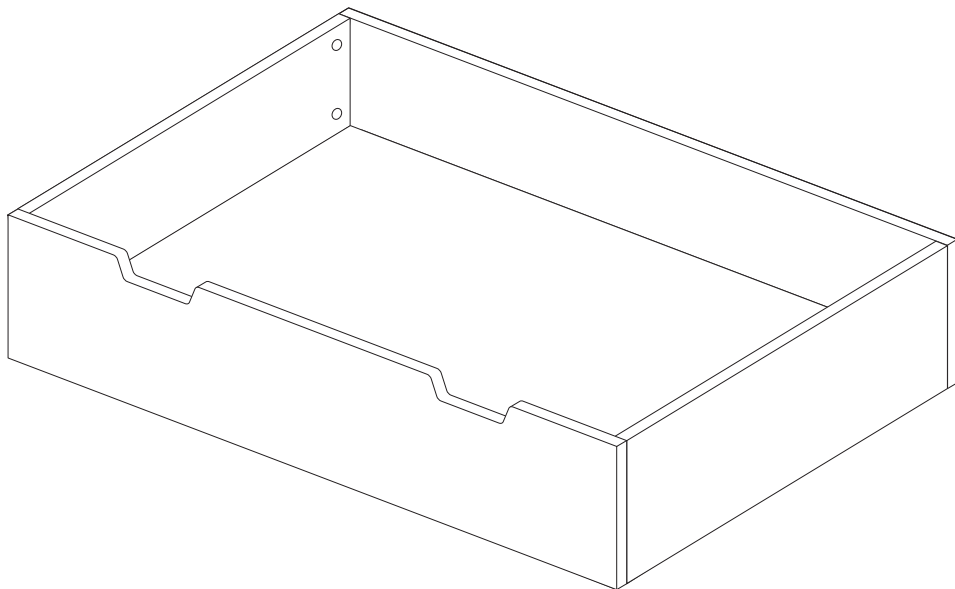




gltc.co.uk

## Large Underbed Drawer, Grey Star

L4742



Assembly Difficulty



easy - medium - hard



one-person job

VI

24/05/2019

**Thank you for shopping with GLTC, we hope you enjoy having this product in your home.**

We know assembling furniture, toys or accessories is not everyone's favourite way to spend their time, so we've tried to make assembling this item as quick and painless as possible.

Hopefully our efforts will have been worthwhile and you'll sail through the whole process. But if it all feels a bit too much like hard work, then we do have an assembly company we can recommend: the Flatpack Construction Company offers a nationwide service and can be contacted on **0843 289 4951** or **www.flatpackconstruction.co.uk**.

### **A few important pointers before you start:**

- Please read the instructions right through before you start, and check that all the components have been included in the pack; we find separating all the hardware into piles makes it easier to be sure that everything is present and correct.
- Make sure you have the right tools. Allen keys are provided if required, but screw drivers and other tools are not. You'll find details of the tools you need at the beginning of the instructions.
- Do not throw away any packing materials until assembly is complete, just in case you accidentally discard smaller parts or hardware.

### **Safety Warnings:**

- Warning! Not suitable for children under 3 years due to small parts which may become detached and present a choking hazard.
- Assembly by a competent adult is required.
- Unassembled product contain small parts which may pose a choking hazard to young children.
- During assembly children should be kept away from the product due to possible risk of injury.
- Assemble and use on a flat and level surface.
- Check all fixtures and fittings regularly and tighten as necessary.
- Remove all packaging before allowing your child to use the product.
- Maximum weight load 10kg. Do not overload.
- Please retain for future reference.

### **Customer Service:**

- If you find that any components are missing or damaged, please do not begin assembly and do not use the item. Please contact GLTC Customer Services on **0344 848 6000** immediately.
- We do stock spare hardware packs at our warehouse, so we should be able to send you a replacement pack immediately if required.

### **Product Care:**

- Wipe clean using a soft damp cloth followed by a dry cloth.
- Do NOT use cleaning products which contain ammonia, solvents or abrasive material.
- Do NOT expose the item to extremes of heat and humidity.
- Regularly check all fastenings, fixtures and fittings to ensure that they properly tightened.

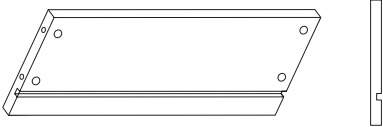
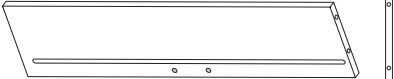
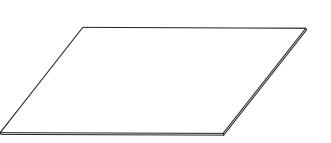

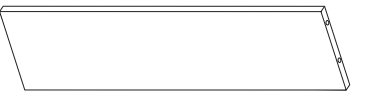
### **Could we do better?**

If there is anything you think could be improved in these instructions or in the assembly of this product we'd be grateful if you could let us know; we'll pass any helpful hints and tips on to other customers via our website and update the instructions.

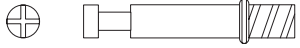

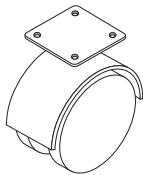
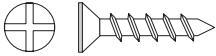
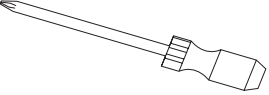
All you need to do is drop us a line at **[instructions@gltc.co.uk](mailto:instructions@gltc.co.uk)**

Thank you

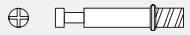
## Component Check List

<p><b>A</b></p>  <p>2x Side Panels</p>	<p><b>B</b></p>  <p>1x Back Panel</p>
<p><b>C</b></p>  <p>1x Base Panel</p>	<p><b>D</b></p>  <p>1x Front Panel</p>
<p><b>E</b></p>  <p>1x Base Support</p>	

## Component Check List

<p><b>#1</b></p>  <p>12x Cam Dowels 36mmL</p>	<p><b>#2</b></p>  <p>12x Cam Locks 14mmL Dia</p>
<p><b>#3</b></p>  <p>4x Wheels</p>	<p><b>#4</b></p>  <p>16x Screws 10mmL</p>
<p><b>#5</b></p> <p>You will need (not supplied)</p>  <p>Philips Head Screwdriver</p>	<p><b>#6</b></p>

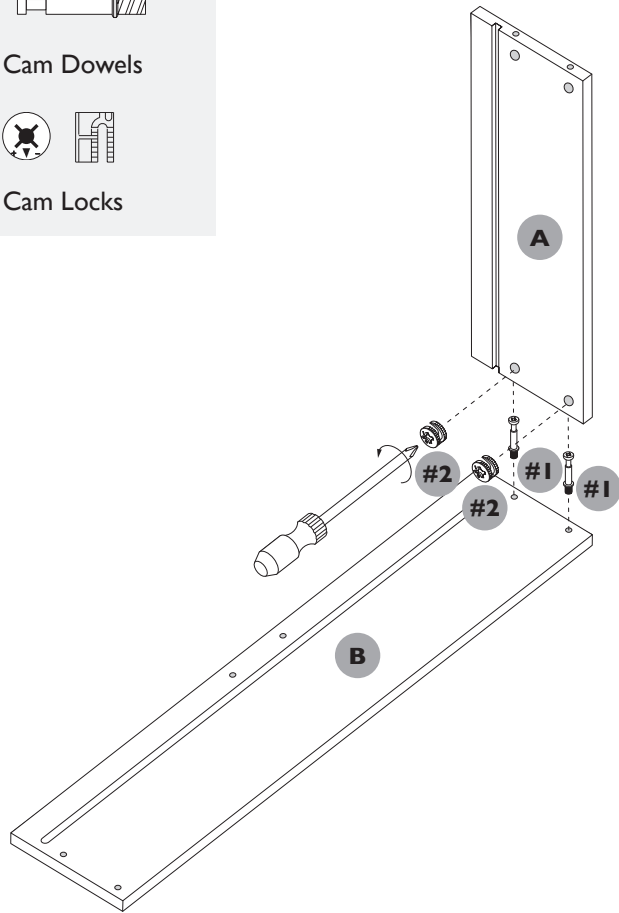
### Hardware for Step 1:



2x #1 Cam Dowels



2x #2 Cam Locks



### STEP 1:

Insert 2x cam dowels (#1) into one end of panel B.

Take one panel A and line up the grooves with panel B, then push over the cam dowels.

Insert 2x cam locks (#2) in the large holes of panel A and turn clockwise to tighten.

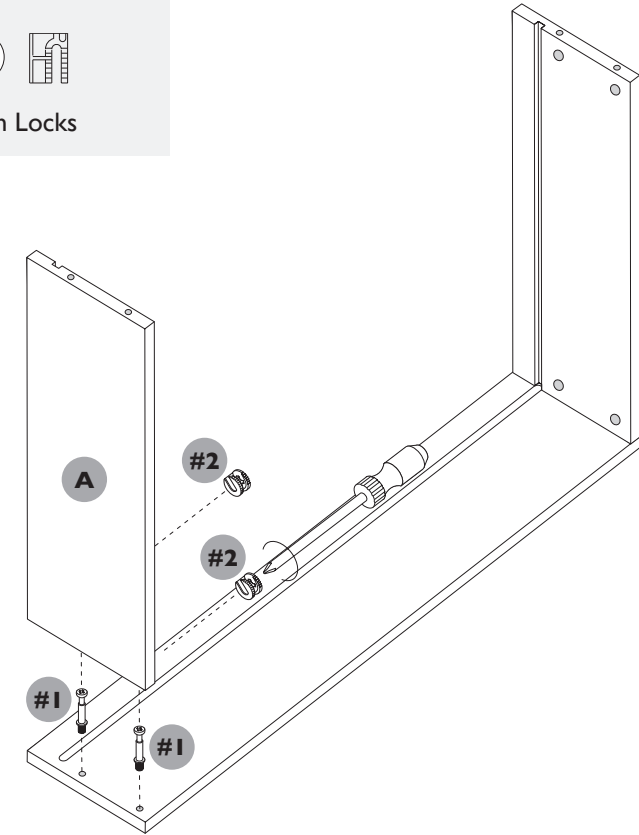
### Hardware for Step 2:



2x #1 Cam Dowels



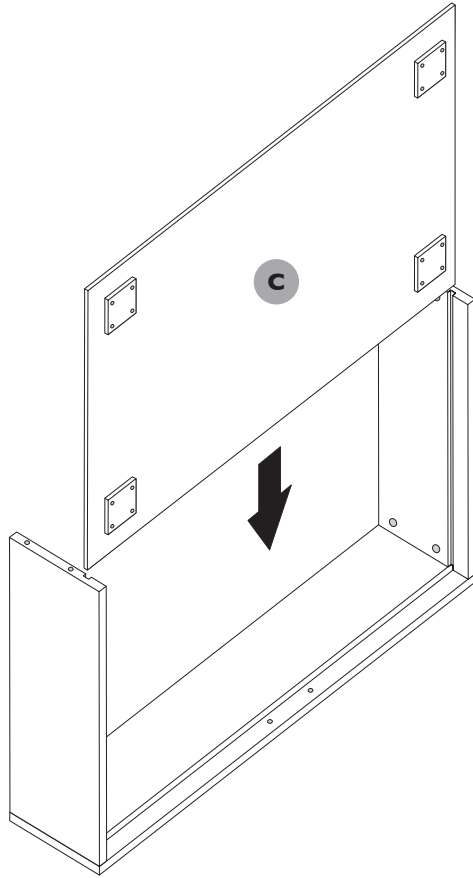
2x #2 Cam Locks



### STEP 2:

Repeat step 1 with the second panel A.

Ensure all cam locks are tightened fully.



**STEP 3:**

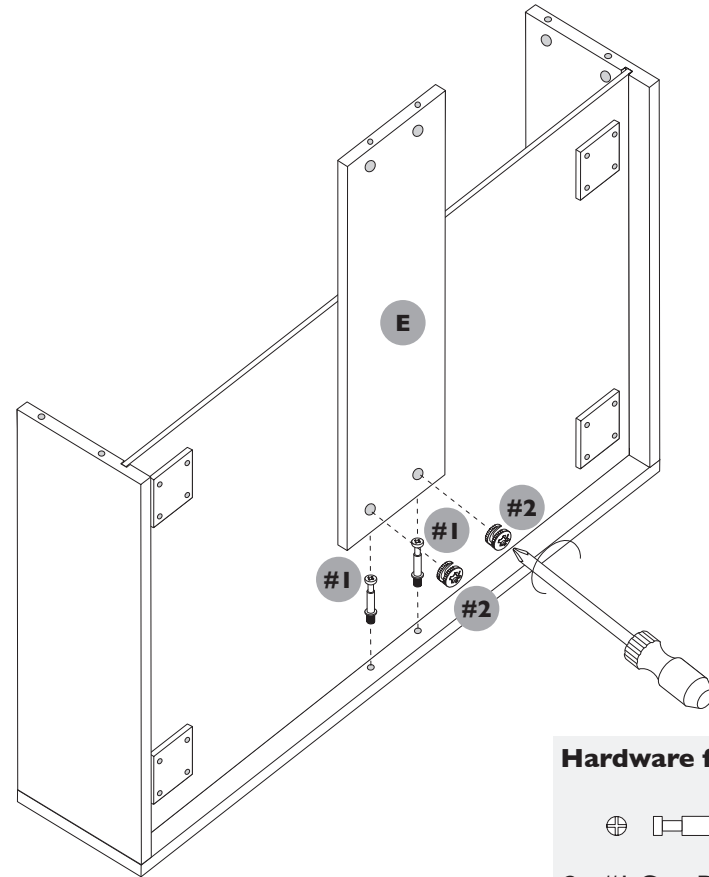
Slide the base panel C into the grooves of the drawer frame.

**STEP 4:**

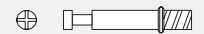
Insert 2x cam dowels (#1) into the remaining holes on the back panel of the drawer.

Slide support panel E over the cam dowels and fix in place with 2x cam locks (#2). Turn cam locks clockwise to tighten.

NOTE: make sure the large drill holes are visible on the support panel.



**Hardware for Step 4:**



**2x #1** Cam Dowels



**2x #2** Cam Locks

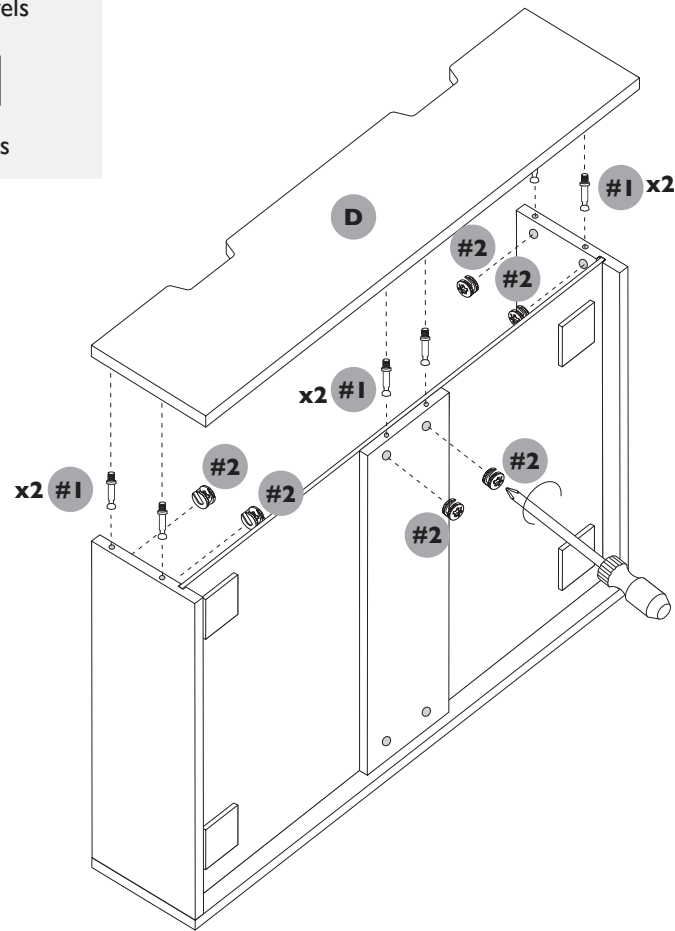
### Hardware for Step 5:



6x #1 Cam Dowels



6x #2 Cam Locks



### STEP 5:

Take front panel D and insert 6x cam dowels (#1).

Now put this panel on top of the drawer frame and push into place, being careful to make sure the heads of the cam dowels are aligned with the holes on the ends of the side and support panels.

When in place, insert the 6x cam locks into the holes on the side panels (inside the drawer) and the support panel (underneath) and turn clockwise to lock.

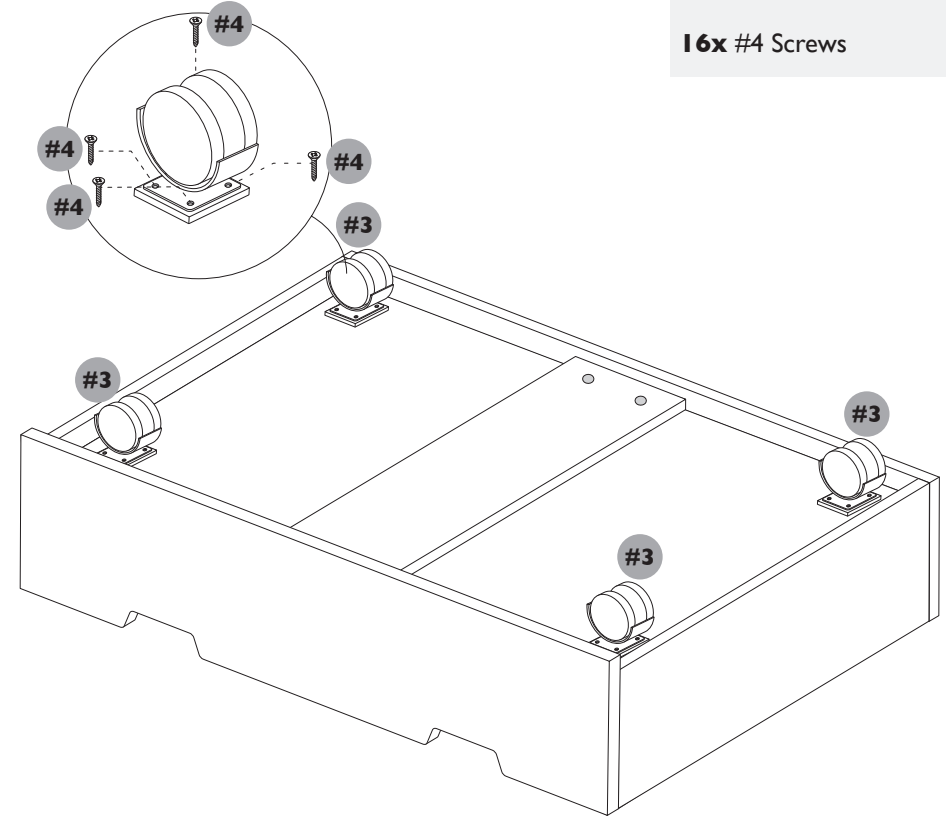
### Hardware for Step 6:



4x #3 Wheels



16x #4 Screws



### STEP 6:

Turning the drawer over so that the base is facing up, attach the 4 wheels (#3) with 16x screws (#4).

Your item is ready to use

