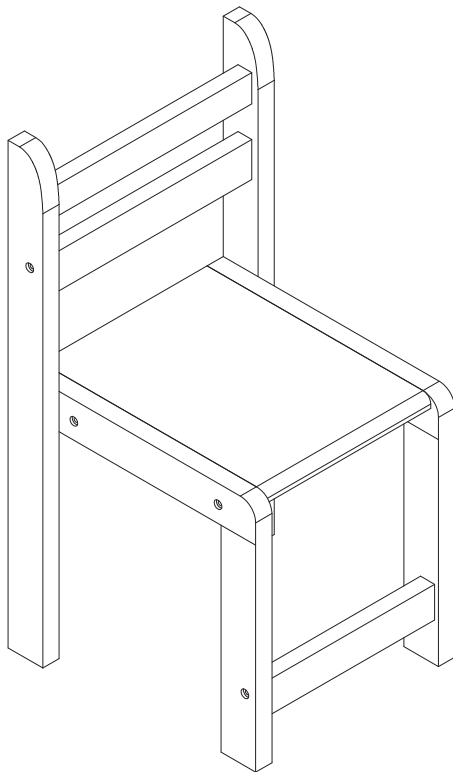




gltc.co.uk

Pied Piper Toddler Chair



Assembly Difficulty



easy - medium - hard



one-person job



26/01/2018

Thank you for shopping with GLTC, we hope you enjoy having this product in your home.

We know assembling furniture, toys or accessories is not everyone's favourite way to spend their time, so we've tried to make assembling this item as quick and painless as possible.

Hopefully our efforts will have been worthwhile and you'll sail through the whole process. But if it all feels a bit too much like hard work, then we do have an assembly company we can recommend: the Flatpack Construction Company offers a nationwide service and can be contacted on **0843 289 4951** or **www.flatpackconstruction.co.uk**.

A few important pointers before you start:

- Please read the instructions right through before you start, and check that all the components have been included in the pack; we find separating all the hardware into piles makes it easier to be sure that everything is present and correct.
- Make sure you have the right tools. Allen keys are provided if required, but screw drivers and other tools are not. You'll find details of the tools you need at the beginning of the instructions.
- It's a good idea to build the unit in the room where you are going to be using it, to avoid the need to move it after it's been assembled.
- Do not throw away any packing materials until assembly is complete, just in case you accidentally discard smaller parts or hardware.

Safety Warnings:

- Adult assembly required.
- Unassembled product contains small parts which may present a choking hazard.
- Children should be kept away from the product during assembly to avoid any possible risk of injury.
- This product is suitable for children in the age range of 2 to 5 years. This is not suitable for adult use.
- Maximum weight load 30Kg. Do not overload.
- Assemble and use on a flat and level surface.
- DO NOT use power tools in the assembly of this product as there is a risk of over-tightening and consequently splitting of the wood.
- Check all fixtures and fittings regularly and tighten as necessary.
- DO NOT use this item if any components are missing or damaged
- Please retain these instructions for future reference.

Customer Service:

- If you find that any components are missing or damaged, please do not begin assembly and do not use the item. Please contact GLTC Customer Services on **0344 848 6000** immediately.
- We do stock spare hardware packs at our warehouse, so we should be able to send you a replacement pack immediately if required.

Product Care:

- Wipe clean using a soft damp cloth followed by a dry cloth.
- The painted/lacquered surface is resistant to staining if cleaned immediately, however please protect the surface from contact with ball point pen and indelible style felt markers as the ink is by nature permanent.
- Do NOT use cleaning products which contain ammonia, solvents or abrasive material.
- Do NOT expose the item to extremes of heat and humidity.

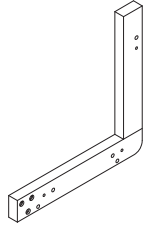
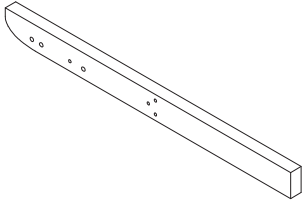
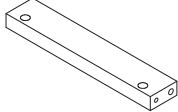
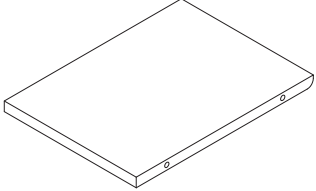
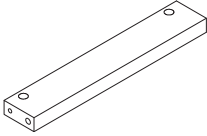
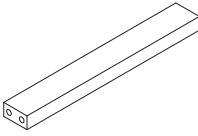
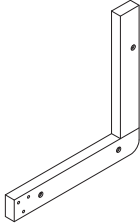
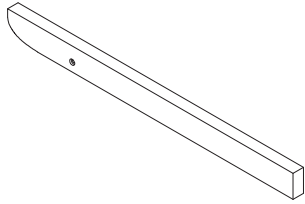
Could we do better?

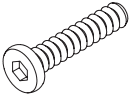
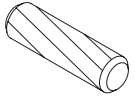
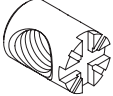
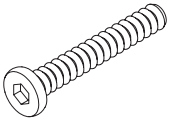
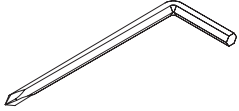
If there is anything you think could be improved in these instructions or in the assembly of this product we'd be grateful if you could let us know; we'll pass any helpful hints and tips on to other customers via our website and update the instructions.

All you need to do is drop us a line at instructions@gltc.co.uk

Thank you

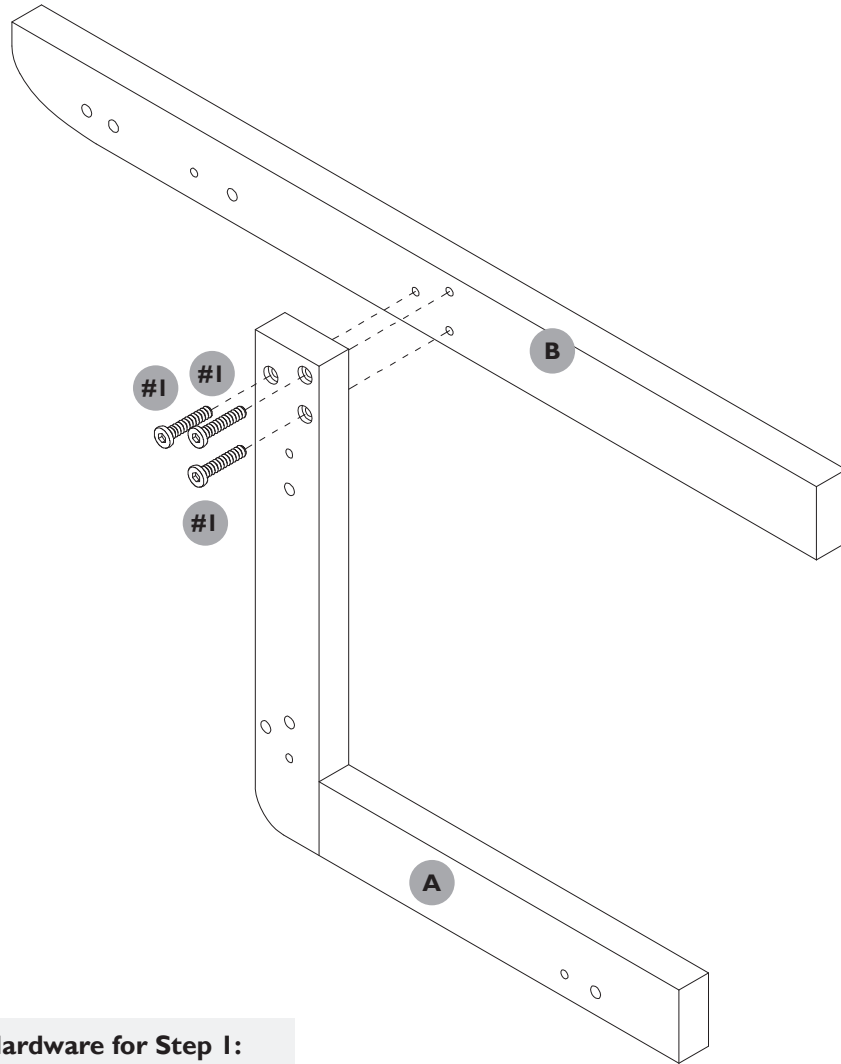
Component Check List

<p>A</p>  <p>1x Left Leg</p>	<p>B</p>  <p>1x Left Leg Back</p>
<p>C</p>  <p>3x Brackets</p>	<p>D</p>  <p>1x Seat</p>
<p>E</p>  <p>1x Lower Back Bar</p>	<p>F</p>  <p>1x Upper Back Bar</p>
<p>G</p>  <p>1x Right Leg</p>	<p>H</p>  <p>1x Right Leg Back</p>

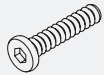
<p>#1</p>  <p>6x Bolts 34mmL</p>	<p>#2</p>  <p>16x Wooden Dowels 20mmL</p>
<p>#3</p>  <p>8x Barrel Nuts</p>	<p>#4</p>  <p>8x Bolts 53mmL</p>
<p>#5</p>  <p>1x Allen Key</p>	

STEP 1:

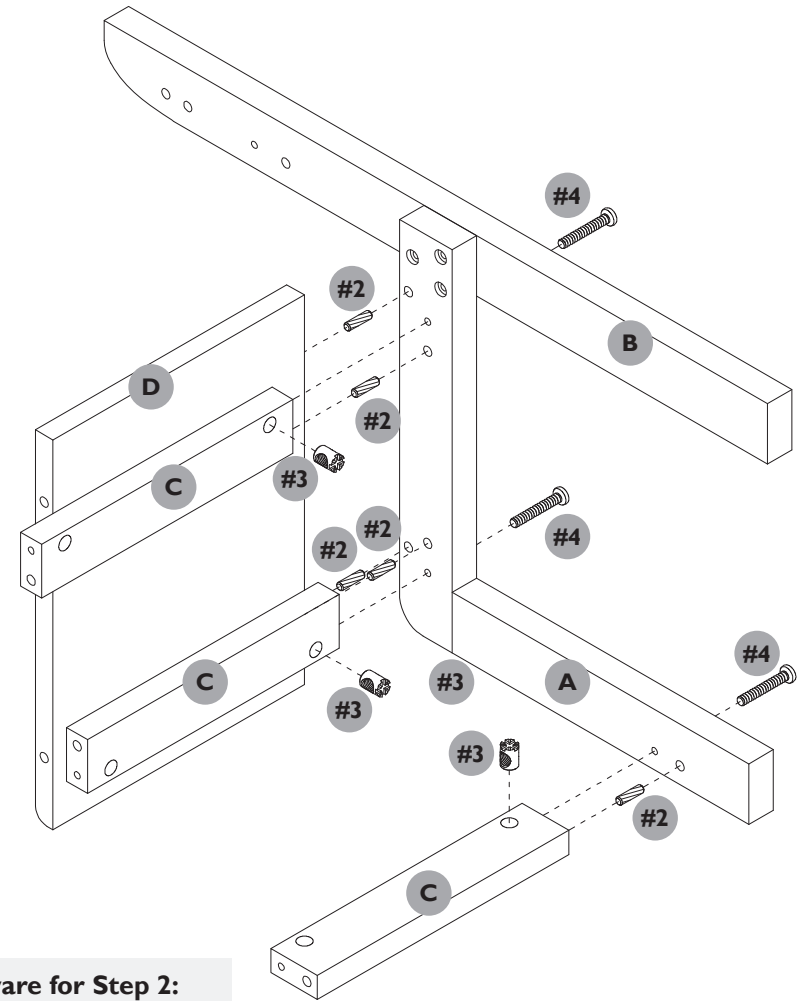
Secure left leg A to left leg back B, using 3x shorter 34mm bolts (#1).



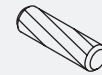
Hardware for Step 1:



3x #1 34mmL Bolts



Hardware for Step 2:



5x #2 Wooden Dowels



3x #3 Barrel Nuts



3x #4 53mmL Bolts

STEP 2:

Insert 5x wooden dowels (#2) into the large drillholes in the left leg A as shown above.

Join the 3x brackets C and the seat D to the left leg by guiding the drillholes on their edges over the wooden dowels.

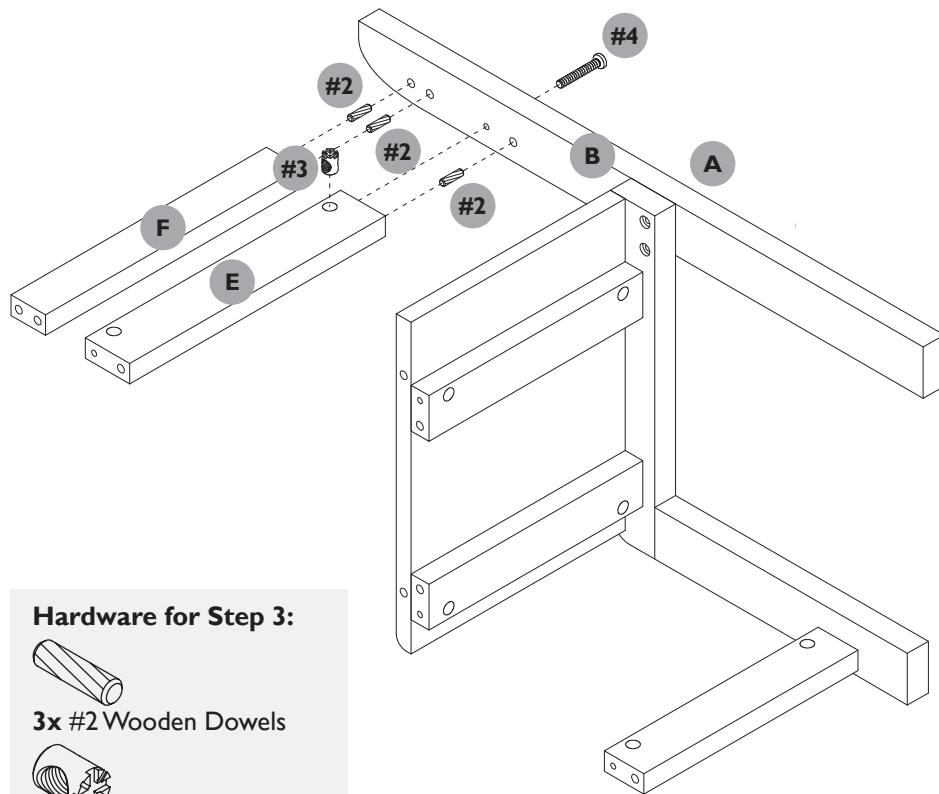
Firmly secure the brackets and seat to the leg by using the 3x 53mm bolts (#4) and 3x barrel bolts the 3x 53mm bolts (#3) as shown above. Tighten the bolts using the allen key (#5) provided.

STEP 3:

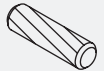
Insert 3x wooden dowels (#2) into the drillholes in the left back leg B as shown below.

Join the 2x back bars (E & F) to the left back leg by guiding the drillholes on their edges over the wooden dowels.

Firmly secure the lower back bar E by using the 1x 53mm bolts (#4) and 1x barrel nut (#3) as shown above. Tighten the bolts using the allen key (#5) provided.



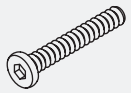
Hardware for Step 3:



3x #2 Wooden Dowels



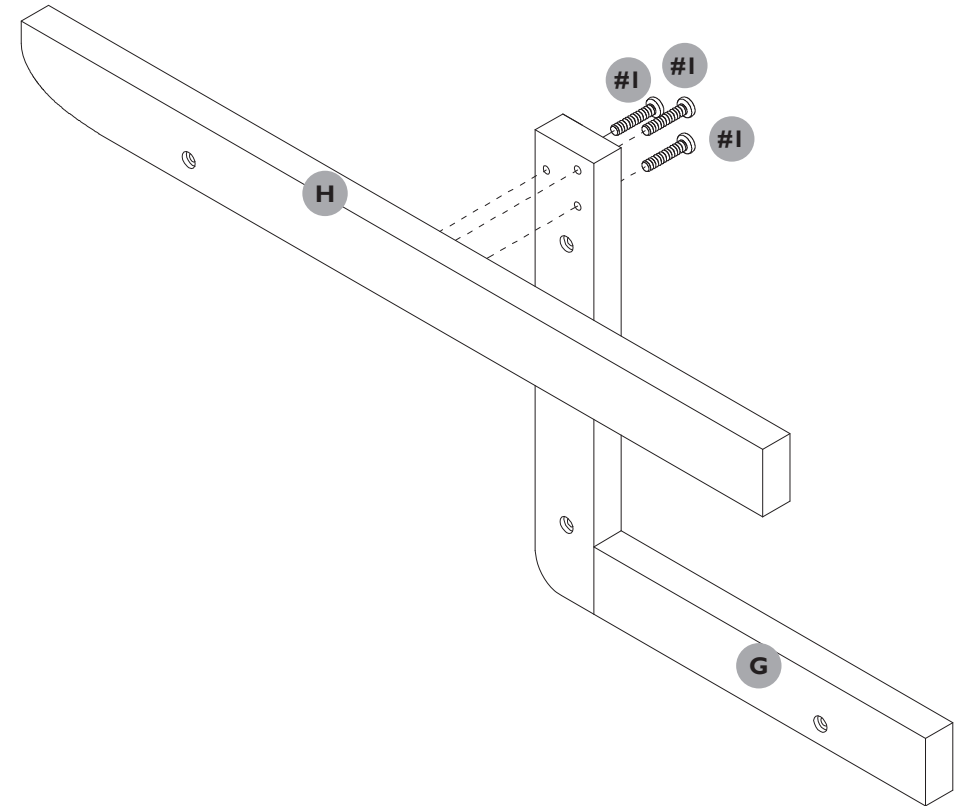
1x #3 Barrel Nuts



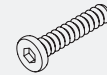
1x #4 53mmL Bolts

STEP 4:

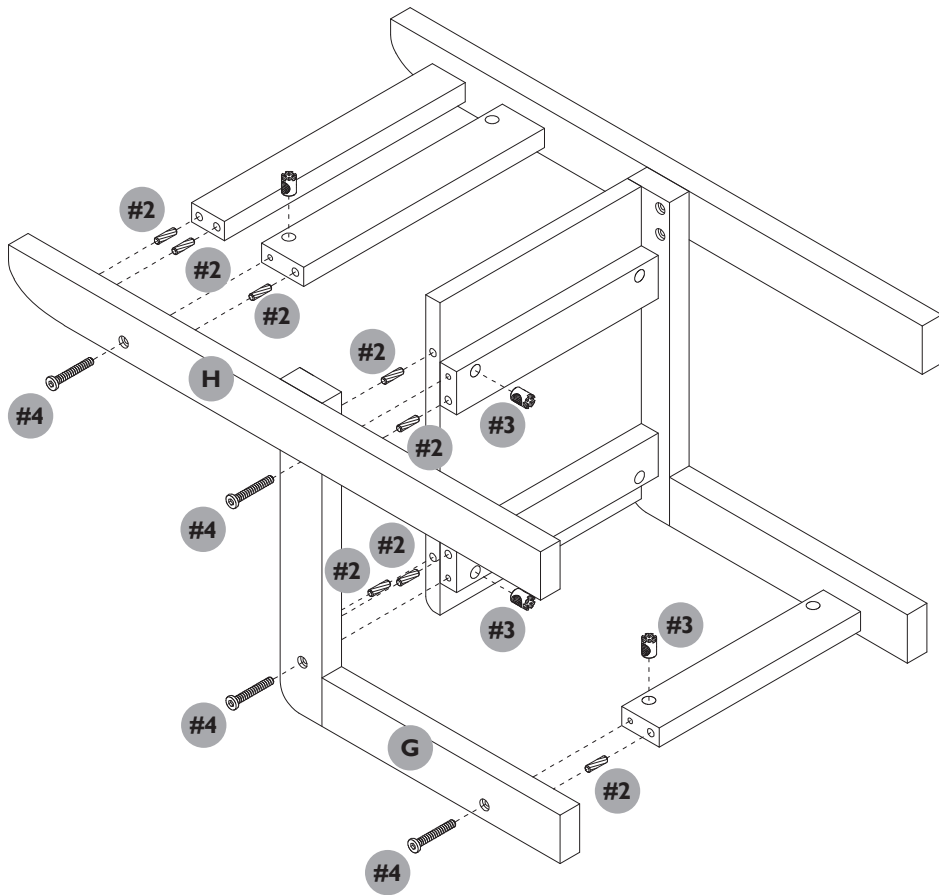
Secure right leg G to right leg back H, using 3x 34mm bolts (#1).



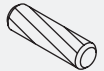
Hardware for Step 4:



3x #1 34mmL Bolts



Hardware for Step 3:



8x #2 Wooden Dowels



4x #3 Barrel Nuts



4x #4 53mmL Bolts

STEP 5:

Insert 8x wooden dowels (#2) into the large drillholes in the joined right leg.

Position the right leg over the chair and guide the wooden dowels into the drillholes on the brackets, seat and back bars.

Firmly secure the right leg by using the 4x 53mm bolts (#4) and 4x barrel bolt (#3) as shown above. Tighten the bolts using the allen key (#5) provided.

