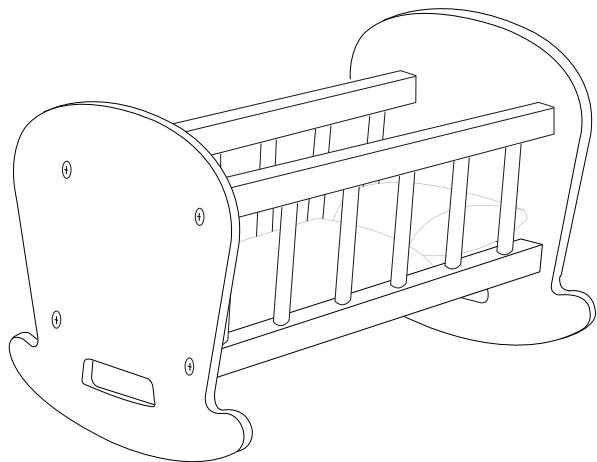




gltc.co.uk

## Cradle



**Thank you for shopping with GLTC, we hope you enjoy having this product in your home.**

We know assembling furniture, toys or accessories is not everyone's favourite way to spend their time, so we've tried to make assembling this item as quick and painless as possible.

Hopefully our efforts will have been worthwhile and you'll sail through the whole process. But if it all feels a bit too much like hard work, then we do have an assembly company we can recommend: the Flatpack Construction Company offers a nationwide service and can be contacted on **0843 289 4951** or **www.flatpackconstruction.co.uk**.

### **A few important pointers before you start:**

- Please read the instructions right through before you start, and check that all the components have been included in the pack; we find separating all the hardware into piles makes it easier to be sure that everything is present and correct.
- Make sure you have the right tools. Allen keys are provided if required, but screw drivers and other tools are not. You'll find details of the tools you need at the beginning of the instructions.
- It's a good idea to build the unit in the room where you are going to be using it, to avoid the need to move it after it's been assembled.
- Do not throw away any packing materials until assembly is complete, just in case you accidentally discard smaller parts or hardware.

Assembly Difficulty



easy - medium - hard



one-person job

V2

11/04/2017

### **Safety Warnings:**

- Adult assembly required.
- Assemble and use on a flat and level surface.
- Unassembled product contains small parts which may present a choking hazard.
- Children should be kept away from the product during assembly to avoid any possible risk of injury.
- DO NOT use power tools in the assembly of this product as there is a risk of over-tightening and consequently splitting of the wood.
- Check all fixtures and fittings regularly and tighten as necessary.
- Check the item regularly for signs of damage which may make the product unsafe.
- Please retain these instructions for future reference.

### **Customer Service:**

- If you find that any components are missing or damaged, please do not begin assembly and do not use the item. Please contact GLTC Customer Services on **0344 848 6000** immediately.
- We do stock spare hardware packs at our warehouse, so we should be able to send you a replacement pack immediately if required.

### **Product Care:**

- Wipe clean using a soft damp cloth followed by a dry cloth.
- Do NOT use cleaning products which contain ammonia, solvents or abrasive material.
- Do NOT expose the item to extremes of heat and humidity.

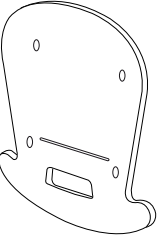
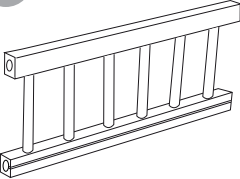
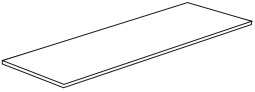
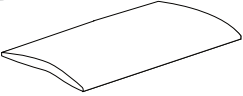



### **Could we do better?**

If there is anything you think could be improved in these instructions or in the assembly of this product we'd be grateful if you could let us know; we'll pass any helpful hints and tips on to other customers via our website and update the instructions.

All you need to do is drop us a line at **[instructions@gltc.co.uk](mailto:instructions@gltc.co.uk)**

Thank you

## Component Check List

<p><b>A</b></p>  <p>2x End panels</p>	<p><b>B</b></p>  <p>2x Side rails</p>	<p><b>C</b></p>  <p>1x Base</p>
<p><b>D</b></p>  <p>1x Duvet</p>	<p><b>E</b></p>  <p>1x Pillow</p>	
<p><b>#1</b></p>  <p>8x Bolts 39mmL</p>	 <p>1x Allen Key</p>	

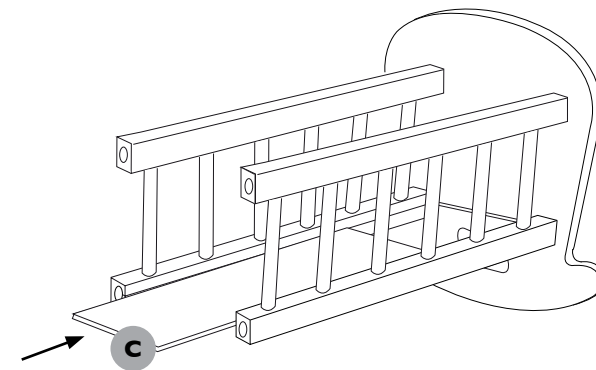
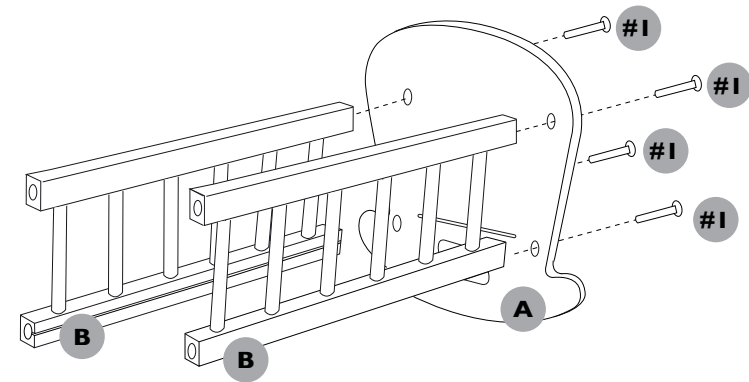
### STEP 1:

Attach end panel (A) to side rails (B). Secure using 4x bolts (#1).

#### Hardware for Step 1:



4x #1 39mmL bolts



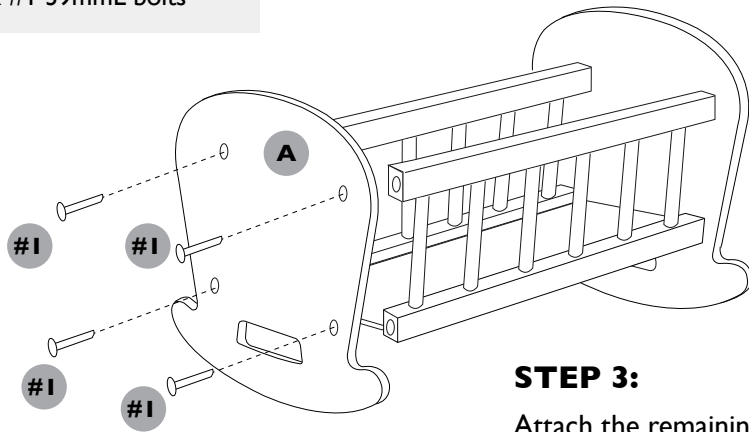
### STEP 2:

Slide in the base (C) into the grooves on the lower side rails.

**Hardware for Step 3:**



4x #1 39mmL bolts



**STEP 3:**

Attach the remaining end panel (A) using 4x bolts (#1).

**STEP 4:**

Add the pillow (E) and duvet (D).  
The assembly is now complete.

