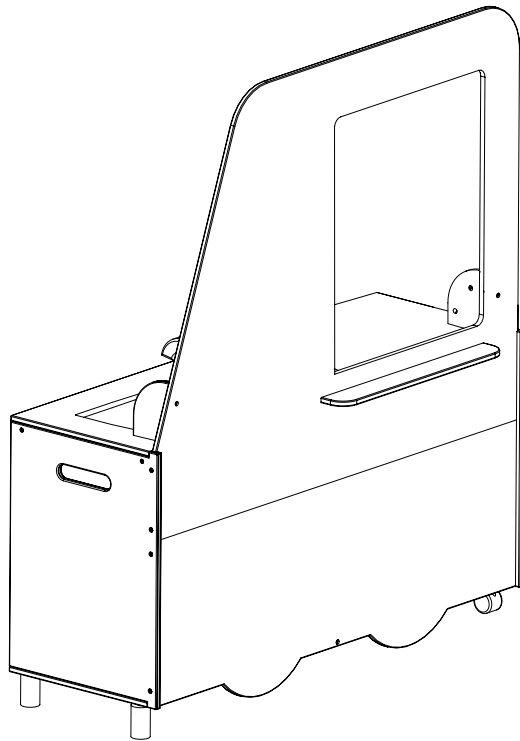




gltc.co.uk

Festival Food Van L4209



Assembly Difficulty



easy - medium - hard



one-person job



19/05/2017

Thank you for shopping with GLTC, we hope you enjoy having this product in your home.

We know assembling furniture, toys or accessories is not everyone's favourite way to spend their time, so we've tried to make assembling this item as quick and painless as possible.

Hopefully our efforts will have been worthwhile and you'll sail through the whole process. But if it all feels a bit too much like hard work, then we do have an assembly company we can recommend: the Flatpack Construction Company offers a nationwide service and can be contacted on **0843 289 4951** or **www.flatpackconstruction.co.uk**.

A few important pointers before you start:

- Please read the instructions right through before you start, and check that all the components have been included in the pack; we find separating all the hardware into piles makes it easier to be sure that everything is present and correct.
- Make sure you have the right tools. Allen keys are provided if required, but screw drivers and other tools are not. You'll find details of the tools you need at the beginning of the instructions.
- It's a good idea to build the unit in the room where you are going to be using it, to avoid the need to move it after it's been assembled.
- Do not throw away any packing materials until assembly is complete, just in case you accidentally discard smaller parts or hardware.

Safety Warnings:

- Adult assembly required.
- Unassembled product contains small parts which may present a choking hazard.
- Not suitable for children under 3 years due to small parts that may become detached and present a choking hazard.
- Children should be kept away from the product during assembly to avoid any possible risk of injury.
- Assemble and use on a flat and level surface.
- DO NOT use power tools in the assembly of this product as there is a risk of over-tightening and consequently splitting of the wood.
- To avoid possible injury from tipping - DO NOT allow children to climb on the product.
- Check all fixtures and fittings regularly and tighten as necessary.
- Complies to the European Toy Safety Directive.
- Please retain these instructions for future reference.

Customer Service:

- If you find that any components are missing or damaged, please do not begin assembly and do not use the item. Please contact GLTC Customer Services on **0344 848 6000** immediately.
- We do stock spare hardware packs at our warehouse, so we should be able to send you a replacement pack immediately if required.

Product Care:

- Wipe clean using a soft damp cloth followed by a dry cloth.
- Do NOT use cleaning products which contain ammonia, solvents or abrasive material.
- Do NOT expose the item to extremes of heat and humidity.


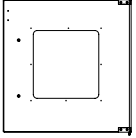

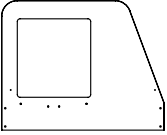

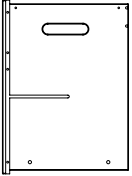
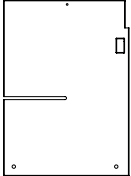
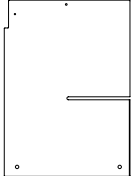
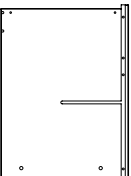

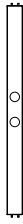
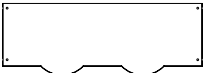
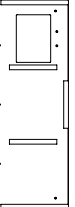

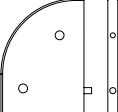
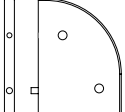
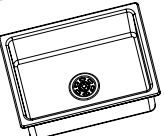
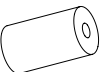
Could we do better?


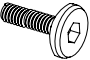






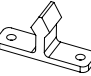

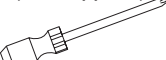
If there is anything you think could be improved in these instructions or in the assembly of this product we'd be grateful if you could let us know; we'll pass any helpful hints and tips on to other customers via our website and update the instructions.

All you need to do is drop us a line at [**instructions@gltc.co.uk**](mailto:instructions@gltc.co.uk)

Thank you

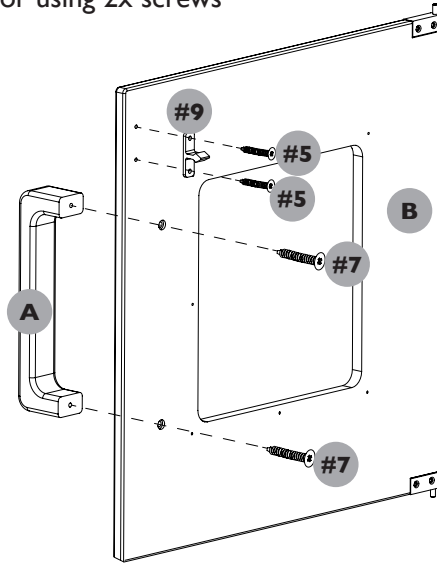
Component Check List

A  1x	B  1x	C  1x	D  1x
E  1x	F  1x	G  1x	H  1x
I  1x	J  1x	K  1x	L  1x
M  1x	N  1x	O  1x	P  1x
Q  1x	R  6x		

#1  2x Castors 40mmL	#2  6x Bolts 23mmL	#3  23x Barrel Nuts 7mm dia	#4  23x Barrel Nut Bolts 40mmL
#5  4x Short Screws 8mmL - dia 3mm	#6  8x Short Screws 8mmL - dia 3.5mm	#7  15x Long Screws 21mmL	#8  1x Door Catch
#9  1x Door Catch	#10  1x Allen Key	You will need (not supplied)  Phillips Head Screwdriver	

STEP 1:

Attach the handle (A) to the door (B) using 2x screws (#7).
Attach the door catch (#9) to the door using 2x screws (#5).



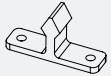
Hardware for Step 1:



2x #5 8mmL screws



2x #7 21mmL screws



1x #9 door catch

Hardware for Step 2:



2x #7 21mmL screws



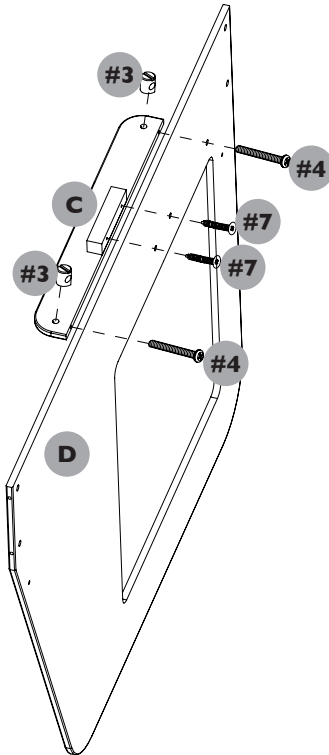
2x #3 barrel nuts



2x #4 barrel nut bolts

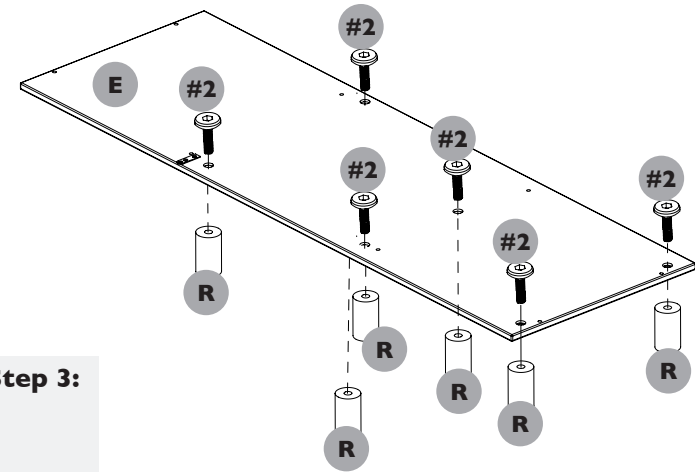
STEP 2:

Attach the shelf (C) to the panel D using 2x screws (#7) and 2x barrel nut and bolts.

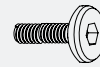


STEP 3:

Attach the 6x feet (R) to base panel (E) using 6x bolts (#2).
You will need to use the supplied allen key for this.



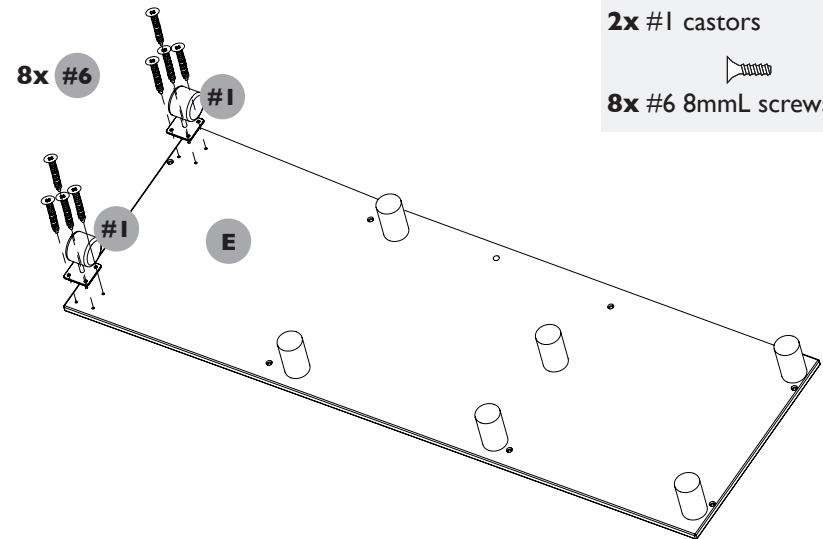
Hardware for Step 3:



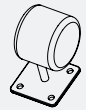
6x #2 23mmL bolts

STEP 4:

Attach 2x castors (#1) to the panel E using 8x screws (#6).



Hardware for Step 4:



2x #1 castors



8x #6 8mmL screws

Hardware for Step 5:



2x #5 8mmL screws



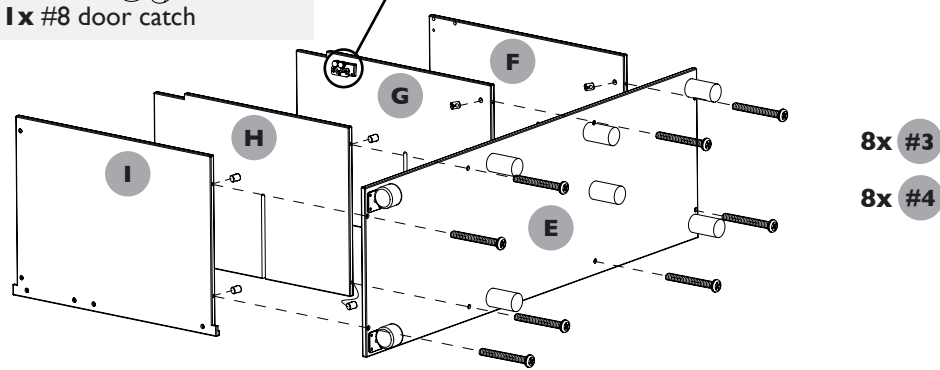
8x #3 barrel nuts



8x #4 barrel nut bolts



1x #8 door catch



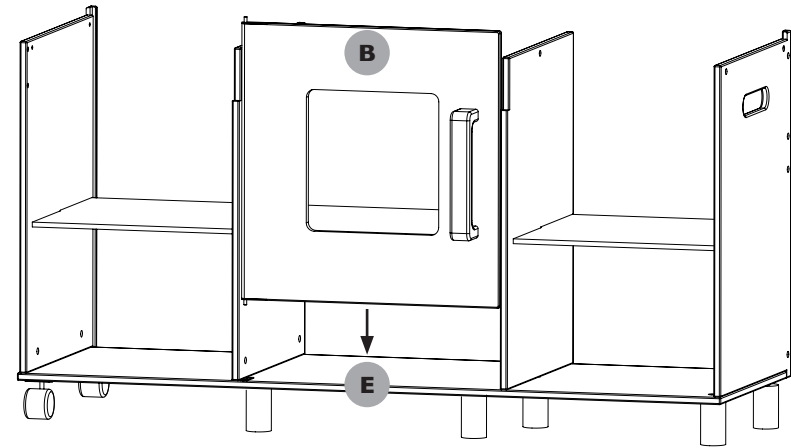
STEP 5:

Attach the door catch (#8) to the panel G using 2x screws (#5).

Now secure panels F,G,H and I to panel E using 8x #3 barrel nuts and bolts.

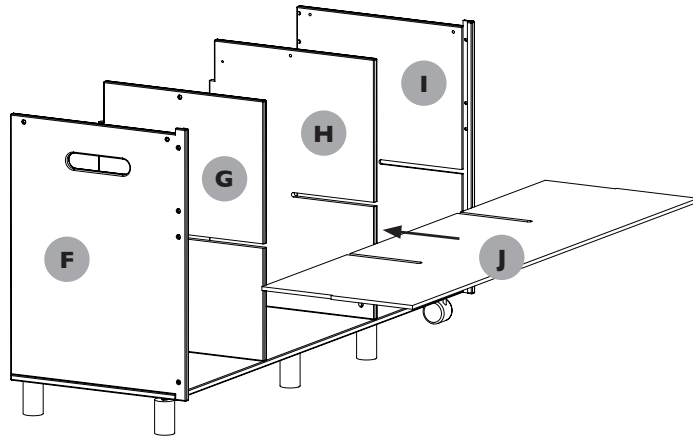
STEP 7:

Carefully place the oven door hinge on panel B into the hinge hole on panel E. Once in place push the door shut, so the door catches engage.



STEP 6:

Carefully slide shelf panel (J) into the slots on panels F,G,H and I.



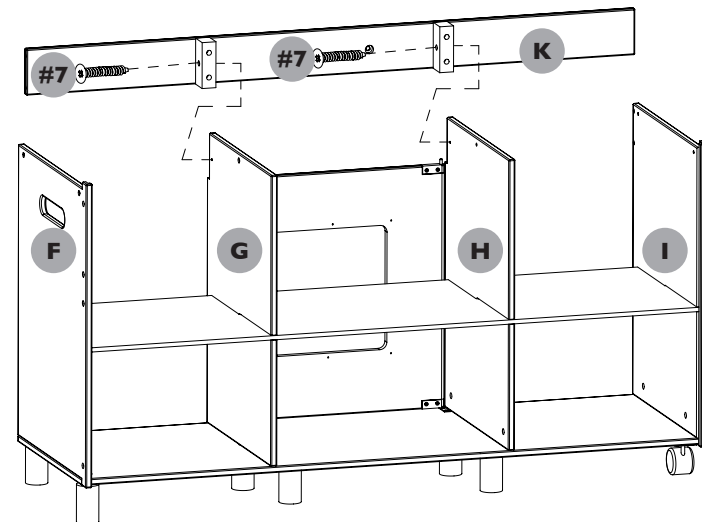
Hardware for Step 8:



2x #7 21mmL screws

STEP 8:

Attach panel K to panels G and H using 2x screws (#7). When in position the dowels on the ends of panel K should slot into the holes on panels F and I. Ensure the oven door hinge slots into the hinge hole under panel K.



Hardware for Step 9:



4x #3 barrel nuts



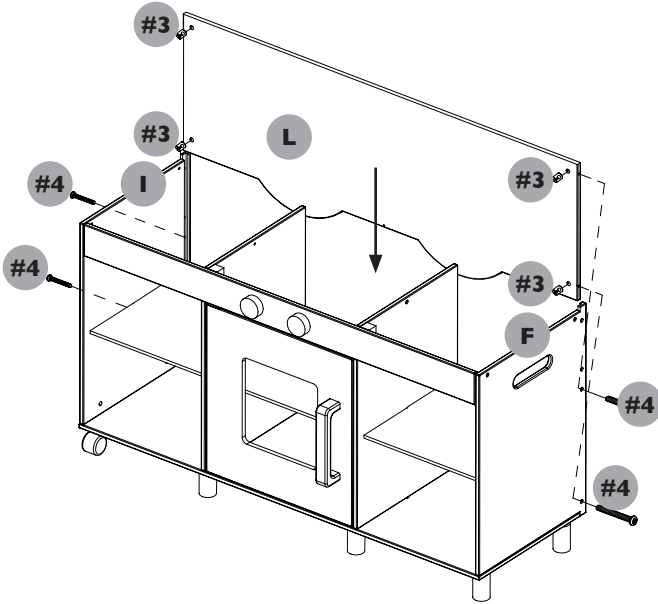
4x #4 barrel nut bolts

STEP 9:

Carefully slide panel L into the grooves on the internal faces of panels I and F.

Secure using 4x barrel nuts and bolts. When inserting the barrel nut bolts, please note you will need to slightly lift panel L off the ground.

The help of a second person may make this step easier.



Hardware for Step 11: STEP 11:



2x #7 21mmL screws



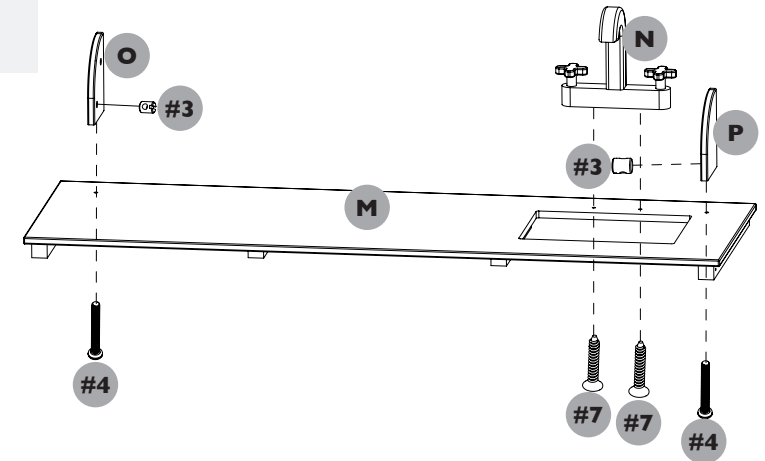
2x #3 barrel nuts



2x #4 barrel nut bolts

Attach panels O and P to panel M using 2x barrel nuts and bolts. When attached correctly, the hardware should be facing inwards.

Now attach the tap (N) to panel M using 2x screws (#7).



Hardware for Step 10:



4x #3 barrel nuts



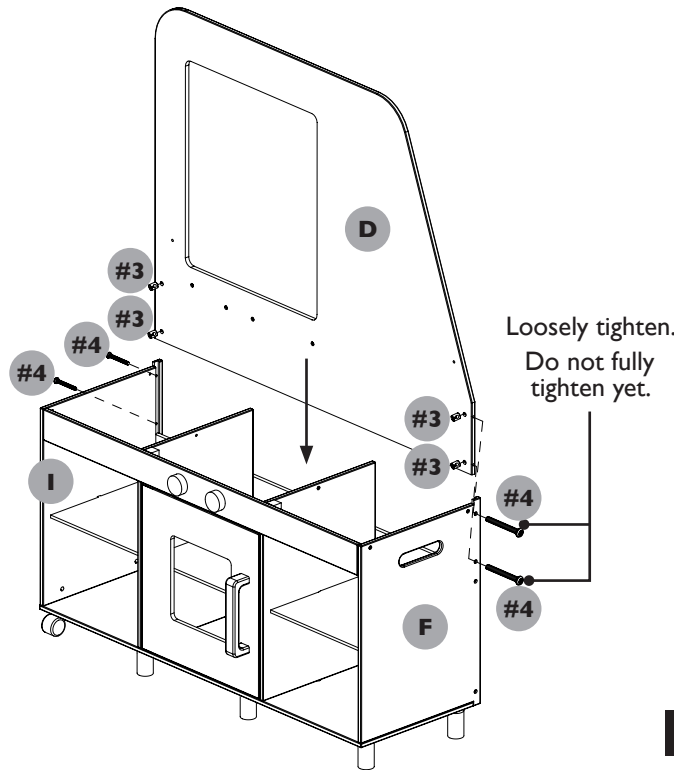
4x #4 barrel nut bolts

STEP 10:

Carefully slide panel D into the grooves on the internal faces of panels I and F.

Secure using 4x barrel nuts and bolts.

Please do not fully tighten right hand side barrel nuts and bolts. You will need this to complete step 12.



Hardware for Step 12:



6x #7 21mmL screws

STEP 12:

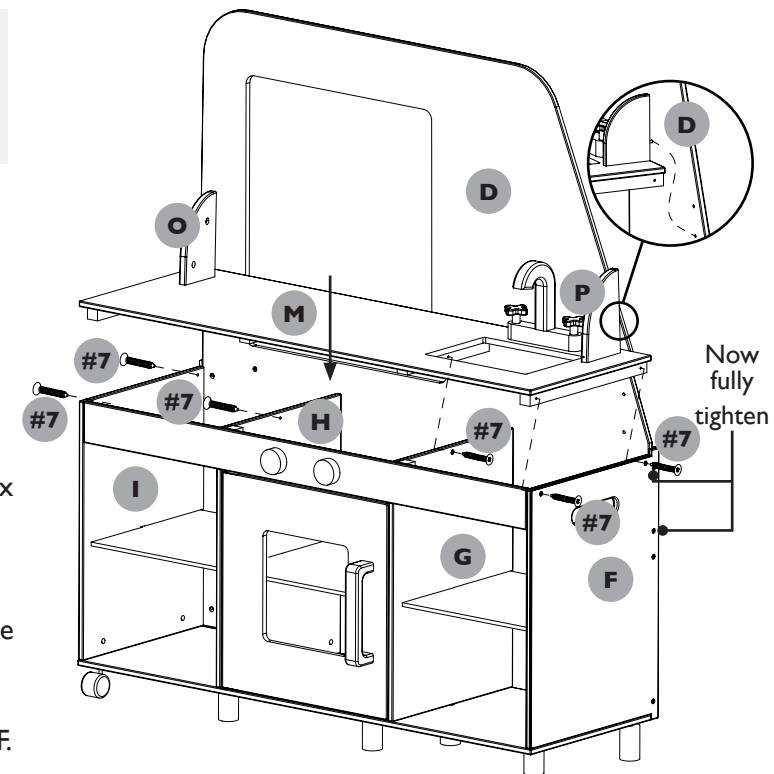
Carefully place work top panel (M) onto panels F, G, H and I.

Ensure the dowels on panels O and P slot into the holes on panel D.

Now secure panel M, to panels F, G, H and I using 6x screws (#7).

To tighten the screws on panels G and H you will need to go underneath the worktop.

Now fully tighten the barrel nut bolts on panel F.



Hardware for Step 13:



1x #7 21mmL screws



3x #3 barrel nuts



3x #4 barrel nut bolts

STEP 10:

Secure panel D to panels P and O using 2x barrel nuts and bolts.

Now secure panel D, using 1x screw (#7), this screw is inserted underneath the shelf (C),

Finally, secure panel L to base panel (E) using 1x barrel nut and bolt.

The assembly is now complete.

