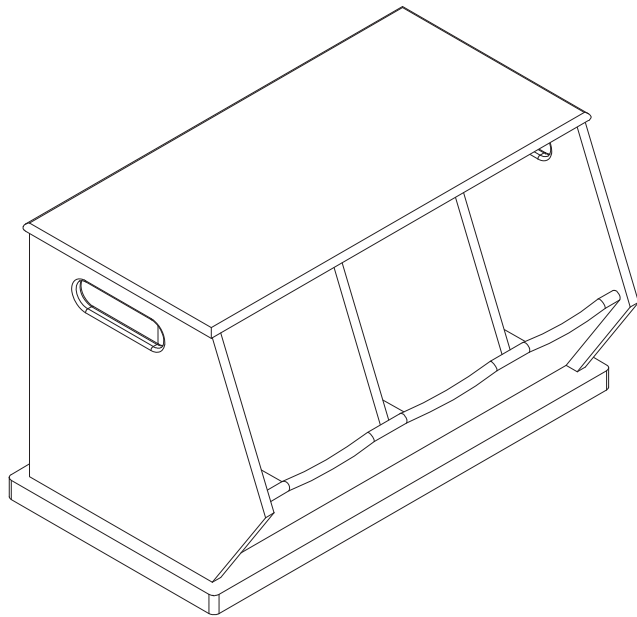




gltc.co.uk

## Stacking Storage - Triple



Assembly Difficulty



easy - medium - hard



one-person job

V4

04/07/2017

**Thank you for shopping with GLTC, we hope you enjoy having this product in your home.**

We know assembling furniture, toys or accessories is not everyone's favourite way to spend their time, so we've tried to make assembling this item as quick and painless as possible.

Hopefully our efforts will have been worthwhile and you'll sail through the whole process. But if it all feels a bit too much like hard work, then we do have an assembly company we can recommend: the Flatpack Construction Company offers a nationwide service and can be contacted on **0843 289 4951** or **www.flatpackconstruction.co.uk**.

Good luck!

### **A few important pointers before you start:**

- It might be worth checking on our website that there are no updates or revisions to these instructions (if we have had helpful feedback from other customers we pass it on via the product web page). Simply check the date and version number on the front of this leaflet against that of any site updates.
- Please read the instructions right through before you start, and check that all the components have been included in the pack; we find separating all the hardware into piles makes it easier to be sure that everything is present and correct.
- Make sure you have the right tools. Allen keys are provided if required, but screw drivers and other tools are not. You'll find details of the tools you need at the beginning of the instructions.
- It's a good idea to build the unit in the room where you are going to be using it, to avoid the need to move it after it's been assembled.
- Do not throw away any packing materials until assembly is complete, just in case you accidentally discard smaller parts or hardware.

### **Safety Warnings:**

- Adult assembly required.
  - Unassembled product contains small parts which may present a choking hazard.
  - Children should be kept away from the product during assembly to avoid any possible risk of injury.
  - DO NOT use power tools in the construction of this product as there is a risk of over-tightening and consequently splitting of the wood.
  - Assemble and use on a flat and level surface.
  - DO NOT stack more than 3 units high.
  - To avoid possible injury from tipping, do not allow children to climb on this or multiple stacked units.
  - Serious or fatal crushing injuries can occur from furniture tipping over. Ensure you secure this furniture product to the wall before you use it using the kit provided. If you have not received an anti-tip kit with your product please contact Customer Services.
  - Check fixtures and fittings regularly and tighten as necessary.
- Please retain these instructions for future reference.

### **Customer Service:**

- If you find that any components are missing or damaged, please do not begin assembly and do not use the item. Please contact GLTC Customer Services on **0344 848 6000** immediately.
- We do stock spare hardware packs at our warehouse, so we should be able to send you a replacement pack immediately if required.

### **Product Care:**

- Wipe clean using a soft damp cloth followed by a dry cloth.
- DO NOT use cleaning products which contain ammonia, solvents or abrasive material.
- DO NOT expose the item to extremes of heat and humidity.

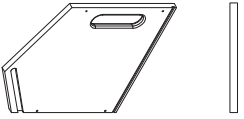
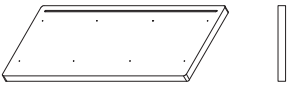
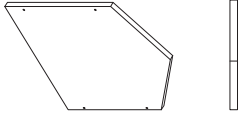

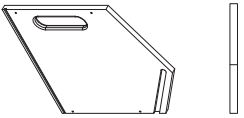

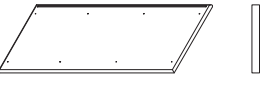
### **Could we do better?**




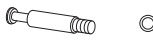

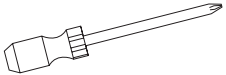
If there is any thing you think could be improved in these instructions or in the assembly of this product we'd be grateful if you could let us know; we'll pass any helpful hints and tips on to other customers via our website and update the instructions.

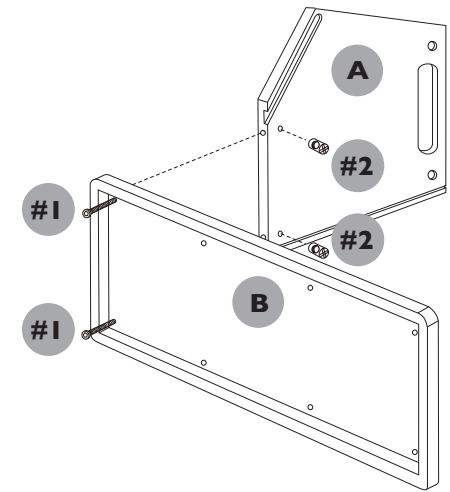
All you need to do is drop us a line at **[instructions@gltc.co.uk](mailto:instructions@gltc.co.uk)**

Thank you

## Component Check List

<p><b>A</b> 1x Left Side Panel</p> 	<p><b>B</b> 1x Base Panel</p> 
<p><b>C</b> 2x Middle Side Panels</p> 	<p><b>D</b> 1x Front Panel</p> 
<p><b>E</b> 1x Right Side Panel</p> 	<p><b>F</b> 1x Back Panel</p> 
<p><b>G</b> 1x Top Panel</p> 	

<p><b>#1</b> 8x Bolts</p> 	<p><b>#2</b> 8x Barrel Nuts</p> 
<p><b>#3</b> 8x Cam Locks</p> 	<p><b>#4</b> 8x Cam Dowels</p> 
<p><b>#5</b> 1x Allen Key</p> 	<p>You will need (not supplied)</p>  <p>Phillips Head Screwdriver</p>

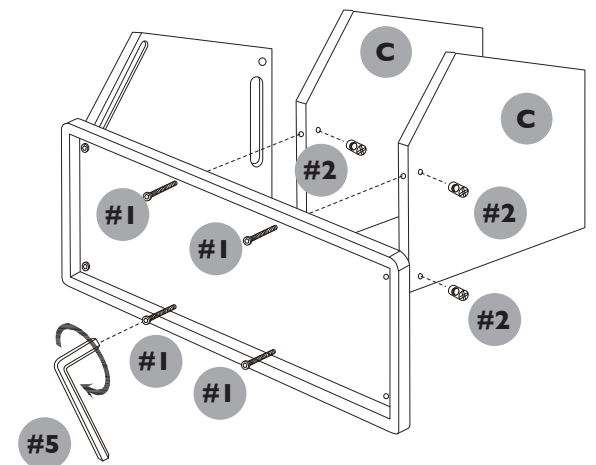


### Hardware for Step 1:

2x #1 Bolts

2x #2 Barrel Nuts

**Step 1:**  
Attach left side panel A to base panel B

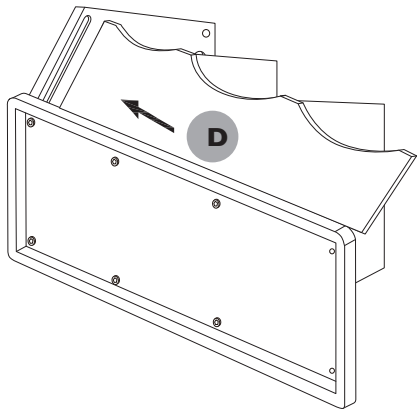


### Hardware for Step 2:

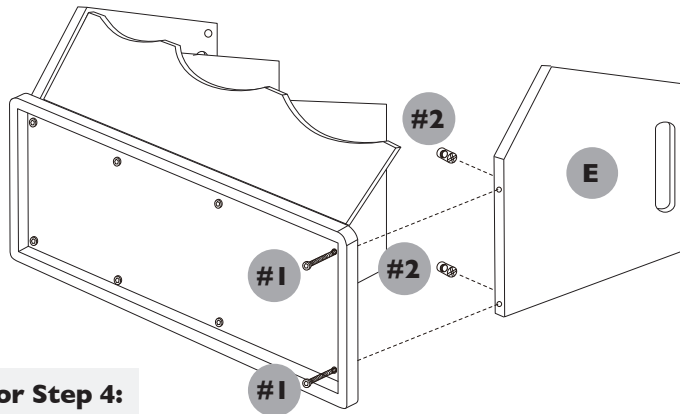
4x #1 Bolts

4x #2 Barrel Nuts

**Step 2:**  
Attach middle side panels C to base panel B



**Step 3:**  
Slide in the front panel D



**Hardware for Step 4:**

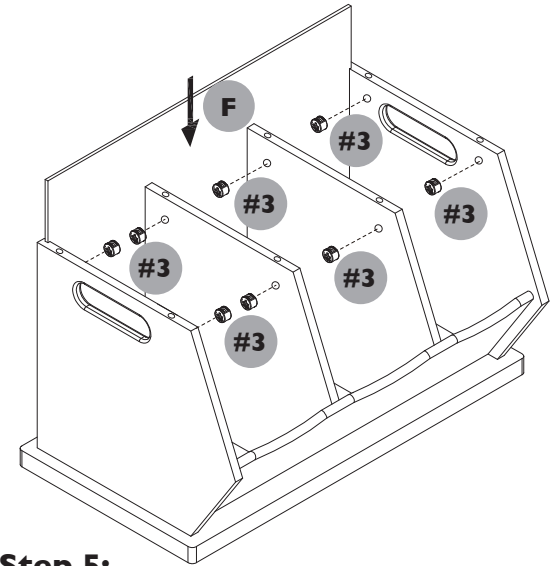


2x #1 Bolts



2x #2 Barrel Nuts

**Step 4:**  
Attach the right side panel E to base panel B

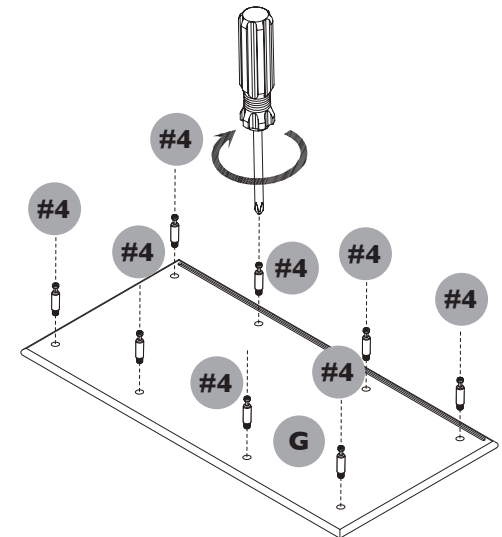


**Hardware for Step 5:**



8x #3 Cam Locks

**Step 5:**  
Slide in the back panel F & insert 8x cam locks as shown with the arrow facing upwards

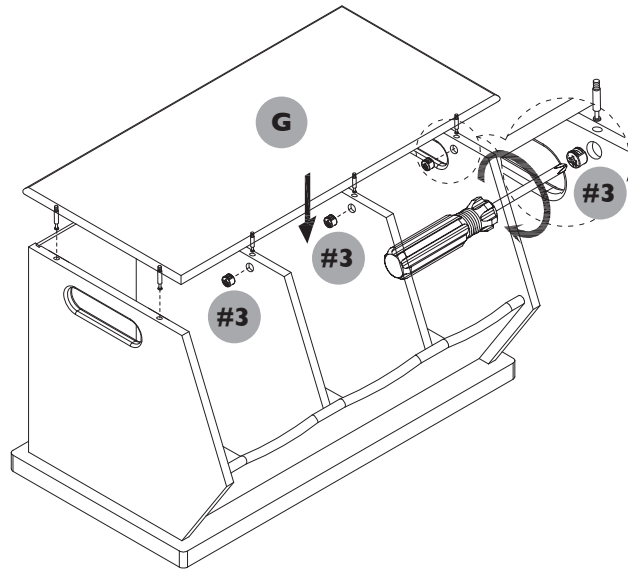


**Hardware for Step 6:**

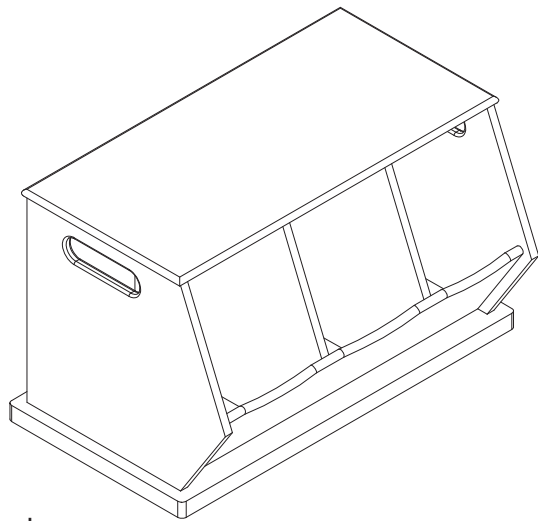


8x #4 Cam Dowels

**Step 6:**  
Prepare the top panel G



**Step 7:**  
Attach the top panel G & secure by turning each cam lock clockwise to lock



Your unit is now ready to use.  
Please be aware that we advise that safety straps are used to secure this to the wall. For details on securing the unit to the wall see the anti-tip kit guidance.  
Please note that we advise that if stacked, only the top unit is required to be tethered to the wall. You may receive multiple anti-tip kits if multiple stacking units are purchased.