

**** SEE OUR WEBSITE FOR STEP BY STEP ASSEMBLY VIDEOS ****

<https://vegepod.com.au/pages/assembly-videos>





Stand/Trolley Assembly Instructions

Medium 1m x 1m



Component Checklist

	Legs	4
	Angle cross braces With holes	2
	Angle cross braces No holes	2
	Cross brace tube	2
	Corner brace	4
	Long Bolts M6*55	8
 rounded head	Medium Bolts M6*45	4
	Short Bolts M6*16	16
	Nuts	28
	Large Bolts	4
	Angle trolley support	2

	Tube for Trolley base	2
	Castor wheels	4
	Allen keys	3

Assembly

IMPORTANT *****

ENSURE STAND TROLLEYS ARE ONLY USED ON FLAT, HARD LEVEL GROUND

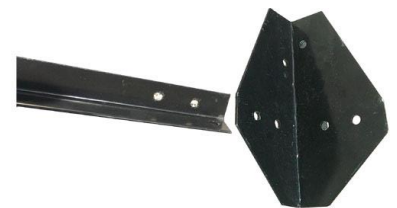
The wheels will not work on soft areas.

Once filled with soil the Vegepods are very heavy. So please ensure the wheels are locked and secure.

1. Select the 2 'angle cross braces with holes' (that have 2 holes in the middle of them). Lay them on the ground with the side with the middle holes flat on ground.
2. Place 'cross brace tubes' so the holes line up. Select 4 mid-size bolts with rounded head. Feed bolt upwards so it sticks out the top of the cross brace tube, then screw nut on till finger tight.



3. Select the 4 corner braces. Attach long angle cross braces to the inside of the corner braces using SHORT bolts. Make sure the longer side of the corner brace is pointing up (you are making this upside down for now) – Just finger tight for now.



You should now have this

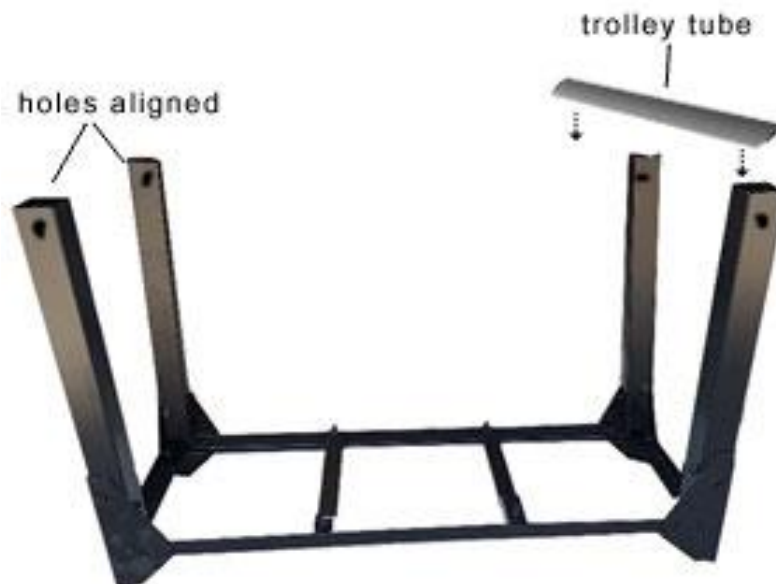


4. When you have bolted both the 2 long angle cross braces with holes to the corner braces then slide the last 2 angle cross braces in (on top of other cross braces) and bolt those to the corner braces.

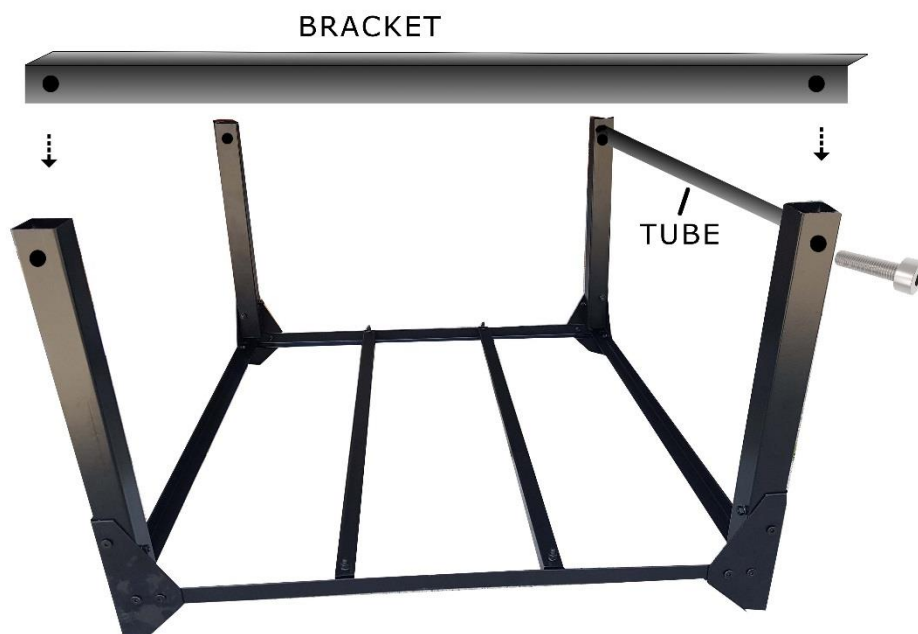


5. Bolt legs to the Corner Brace using the LONG bolts and tighten. Rotate the legs to line the holes up.

(*important – also ensure the holes at the bottom of the legs are aligned lengthways. The tube for Trolley base will be positioned between these holes.)



Using the long bolts, push them through the holes, then add nut and do up finger tight.



6. Place angle trolley support piece on legs lining up holes. Rest there while you pick up a trolley tube. Now get a large bolt and push through angle trolley support **and** leg and then twist on the trolley tube. Do the same to the other end and tighten with the largest allen key.
7. Repeat process for other side.
8. Grab a castor wheel and put the lock on. Now feed the bolt into the bolt hole and turn to tighten all the way. Repeat for all wheels
9. Tighten all bolts with allen keys