



**** SEE OUR WEBSITE FOR STEP BY STEP ASSEMBLY VIDEOS ****











<https://vegepod.com.au/pages/assembly-videos>



Stand Assembly Instructions

Medium 1m x 1m

Component Checklist

	Legs + plastic end caps	4
	Angle cross braces With holes	2
	Angle cross braces	2
	Cross brace tube	2
	Corner brace	4
	Long Bolts M6*55	8
	Medium Bolts (rounded head) M6*45	4
	Short Bolts M6*16	16
	Nuts	28
	Allen keys	1

Assembly

IMPORTANT *****

ENSURE STANDS ARE ON FLAT LEVEL GROUND

If placing the stands on lawn or soft surfaces - Ensure the legs are placed on footings made from pavers or bricks that are level to prevent the legs sinking into the earth.

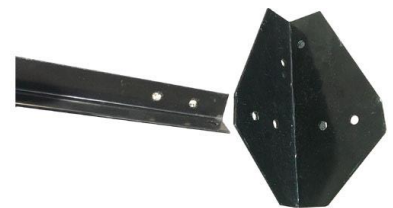
Once filled with soil the Vegepods are quite heavy. So please ensure stand is secure, stable and flat before filling with soil.

1. Select the 2 '*angle cross braces with holes*' (that have 2 holes in the middle of them). Lay them on the ground with the side with the middle holes flat on ground.
2. Place '*cross brace tubes*' so the holes line up. Select 4 mid-size bolts with rounded head. Feed bolt upwards so it sticks out the top of the cross brace tube, then screw nut on till finger tight.



You should now have this

3. Select the 4 *corner braces*. Attach *long angle cross braces* to the inside of the *corner braces* using SHORT bolts. Make sure the longer side of the *corner brace* is pointing up (you are making this upside down for now) – Just finger tight for now.





4. When you have bolted both the 2 long angle cross braces with holes to the corner braces then slide the last 2 angle cross braces in (on top of other cross braces) and bolt those to the corner braces.



5. Bolt legs to the Corner Brace using the LONG bolts and tighten. Rotate the legs to line the holes up. Place plastic caps on feet of legs.
6. Tighten all of the bolts unless making a large stand. Then leave the 4 medium round head bolts that attach the cross brace tubes loose. You will need to attach spacing bars to these. Tighten all other bolts.



7. Push plastic feet into bottom of feet