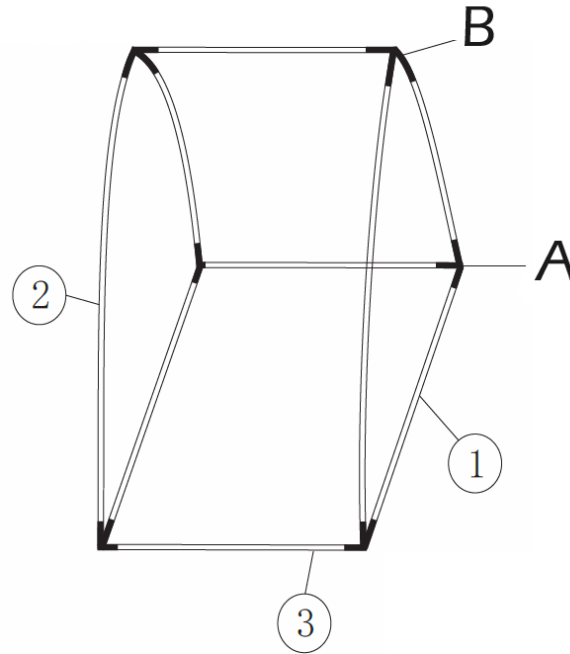


Assembly Instructions

Vegecover - Small



⌋ AX4

⌊ BX2

① ——— X2

② ——— X4

③ ——— X3

IMPORTANT

** Ensure longer ends of arch poles are at bottom

*** Assemble on a hard surface

Ensure all pieces are fully inserted into plastic connectors. Lay the frame on its side using the ground to gain more leverage, you may even tap lightly with a mallet or hammer.

To check if they are fully inserted place the frame on top of the assembled Vegepod, the frame should sit directly over the 'hinge clips' or 10mm smaller than top rim of Vegepod.



Cable tie (4) - hinge clip (4) - ratchet clip (1) - string



Sprinkler Line (1)



Hose connection (1)

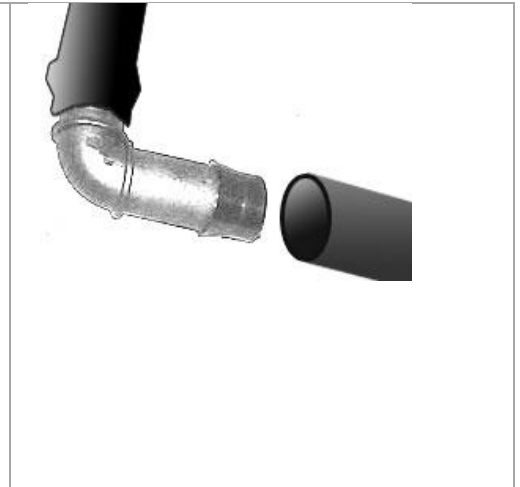
*Before attaching greenhouse material

Watering System

Attach the 2 pieces of black polypipe together

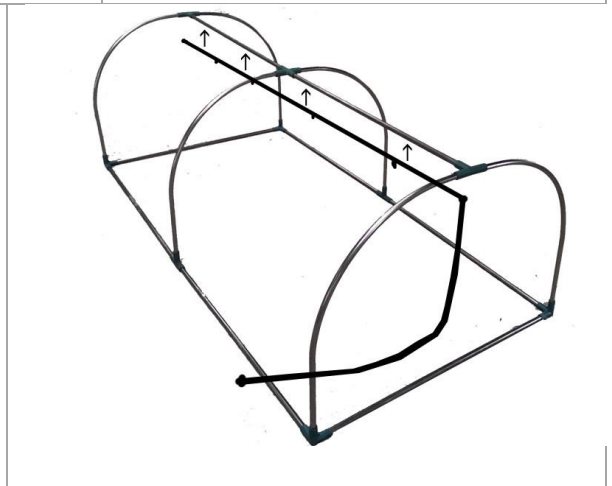
1. Connect the hose outlet to the main sprinkler line by pushing the elbow into the open end of the black polypipe. Push on as far as it will go (well over the barbs). **If this proves difficult heat the end of the pipe with boiling water. Put ratchet clip on and tighten clip with fingers so that it is past the barb in the elbow. **Tighten clip with pliers.** The direction can be turned later when putting cover on.

HINT: Use boiling water to soften pipe allowing easy insertion of fittings



2. Attach Sprinkler Line (spray nozzles) to the inside top of the frame using the longer Cable Ties. Working along - tie to the top of frame every 15cm or so with a cable tie until secure. To make these ties tight you can squeeze the pipe as you pull the cable tie. Twist pipe to ensure sprinkler heads are pointing down in the same general direction. Tighten cable ties with pliers if it looks like it may move around.

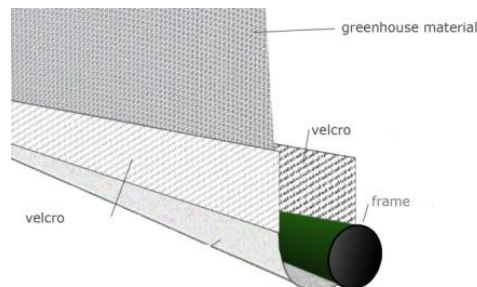
HINT: Slightly crush polypipe while tightening cable ties. Also line sprinklers to point straight down.



- Line up Greenhouse Cover Material with seams to go over arches. Making sure the outlet hole is lined up with the hose connector. Make sure seams and Velcro are on the inside.
- Gently pull cover down over frame, **then turn the cover over** separate (open) the Velcro. Push hose outlet through opening.
- Continue to pull cover up now until **one strip** of the Velcro is pulled above the base of the frame. Attach Velcro around frame.

HINT: Make sure outlet hole is at the same end as hose connector.

HINT: After pulling cover material over frame – turn the frame upside down – this makes attaching velcro much simpler.

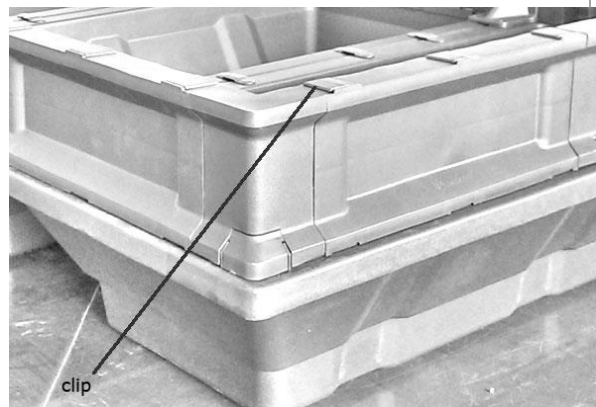


- Remove several clips (two from each shorter end) from top of panels by sliding them out of the Vegepod garden container rim. Push in Hinge Clips on both ends ensure clips slides over the back lip to ensure it cannot slip back out (require to push hard). Push the steel frame cover base with material around it into the hinge clips (it will click in firmly). The material will eventually wear on these hinges but it will not affect performance. It is advisable to also put hinge clips on opposite side to lock the Vegecover shut.



Hinge clip

HINT: Use hinge clips on opening side also to ensure the cover can clip shut in case of high winds.



- If the Vegecover (when open) is not resting on something behind then use the string to tie it and stop it opening too far. If the lid is opened past 90 degrees the frame will pop out of the hinge clips. Tie string from corner of frame (feed through cover material close to frame) to dress clip or closing hinge clip to prevent this from happening.

