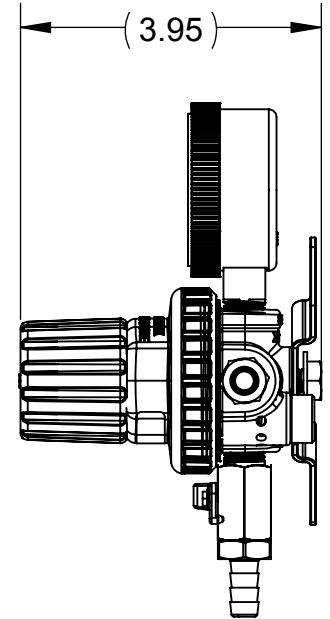


STAINLESS STEEL MOUNTING BRACKETS



NOTES:

1. INLET/THRU: 5/16" BARB
2. OUTLETS: 5/16" BARB W/ SHUTOFF
3. GAUGES: 60# (3 EA)
4. SAFETY BLOW-OFF: 60 ± 5 PSI
5. WORKING PRESSURE: 0-50 PSI
6. POLY BONNETS WITH ADJ GOLD CAPS

MATERIAL	NAME	DATE
	DRAWN	JPK 08/02/11
FINISH	ENG APPR.	
	PROPRIETARY AND CONFIDENTIAL	
DIMENSIONS ARE IN INCHES TOLERANCES: FRACTIONAL ± 1/64 ANGULAR: MACH ± 1/2° BEND ± TWO PLACE DECIMAL ± 0.015 THREE PLACE DECIMAL ± 0.005		
THE INFORMATION CONTAINED IN THIS DRAWING IS THE SOLE PROPERTY OF TAPRITE-FASSCO MFG., INC. ANY REPRODUCTION IN PART OR AS A WHOLE WITHOUT THE WRITTEN PERMISSION OF TAPRITE-FASSCO MFG., INC. IS PROHIBITED.		



TITLE: **REG, SEC, BEER, 3P3P, 60#, 5/16B IN/THRU, 5/16B-CV SHUTOFF, POLY, GOLD**

SIZE	DWG. NO.	REV
A	T1683STC-01_SALES	C
SCALE: 1:2	DO NOT SCALE DRAWING	SHEET 1 OF 1