



IMI CORNELIUS INC.
www.cornelius.com

**Nordic
Model CCM0322, 0522
Service Parts Manual
(Includes 50Hz. Units)**



Publication Number: 631806057
Revision Date: November 19, 2009
Revision: B

Visit the IMI Cornelius web site at www.cornelius.com for all your Literature needs.

This parts list contains the service parts available for the CCM Series icemakers listed below:

- CCM0322**1 Air and Water Cooled**
- CCM0322**5 Air and Water Cooled**
- CCM0522**1 Air and Water Cooled**
- CCM0522**5 Air and Water Cooled**

Check the model number on the data plate and refer to the correct listing for the specific component.

Check carefully that the correct part is identified and ordered.

Table of Contents	Page 1
Cabinet Exterior	Page 2
CCM0322/CCM0522 Air Cooled	Page 3
CCM0322/CCM0522 Water Cooled	Page 4
Evaporator	Page 5
Control Box	Page 6
Fan Assemblies	Page 7
Harvest Assist Components	Page 8
Water Pump/Float	Page 9

E-Mail: tech.service@Cornelius.com

Website : www.cornelius.com

Telephone Number

800-238-3600 All Departments

The CCM Series Service Manual is available seperately, Part Number 631806061

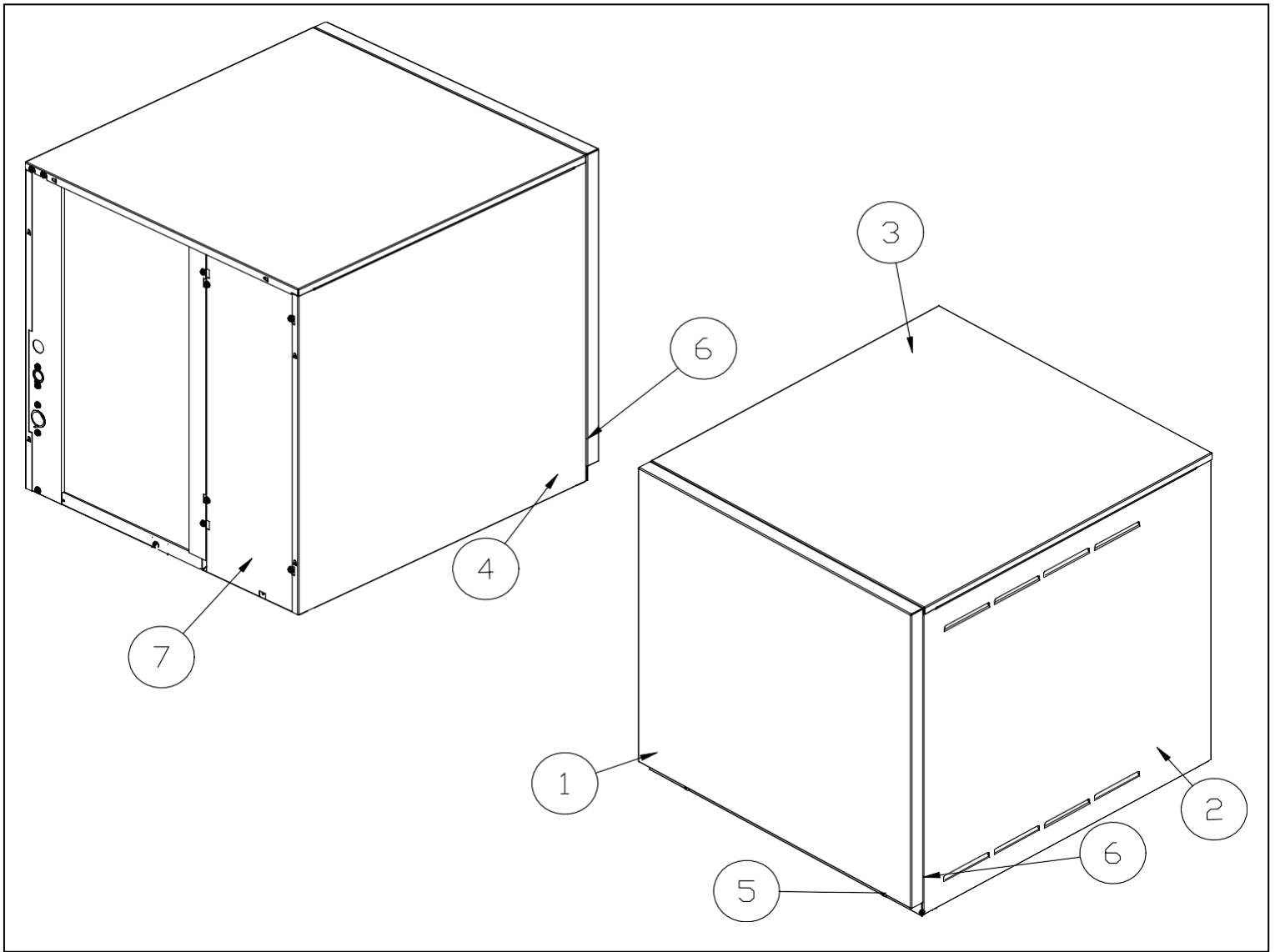
Note: Model Number Suffix Indicates Machine Voltage As Follows:

1=115/60/1

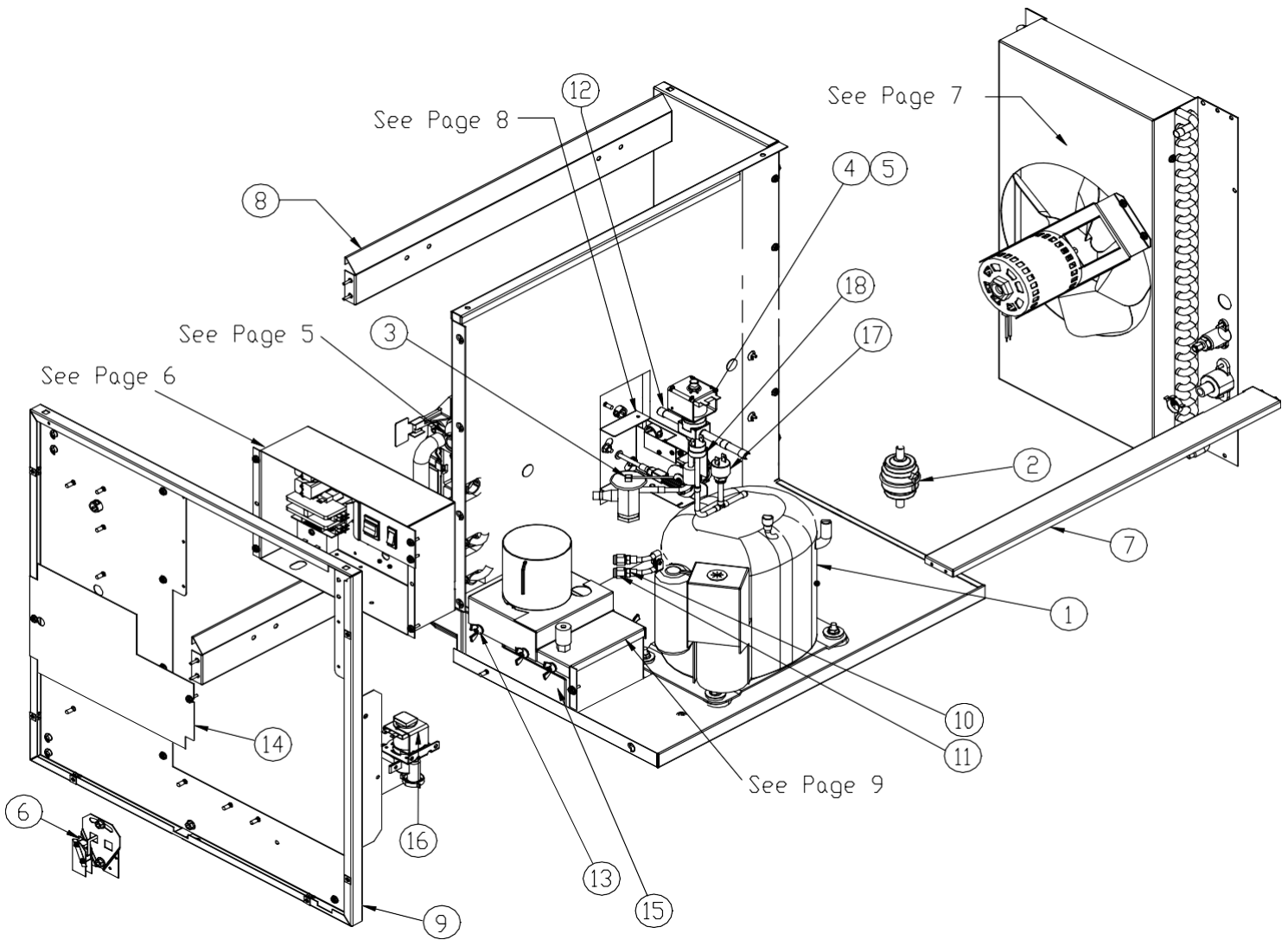
2=208-230/60/1

3=208-230/60/3

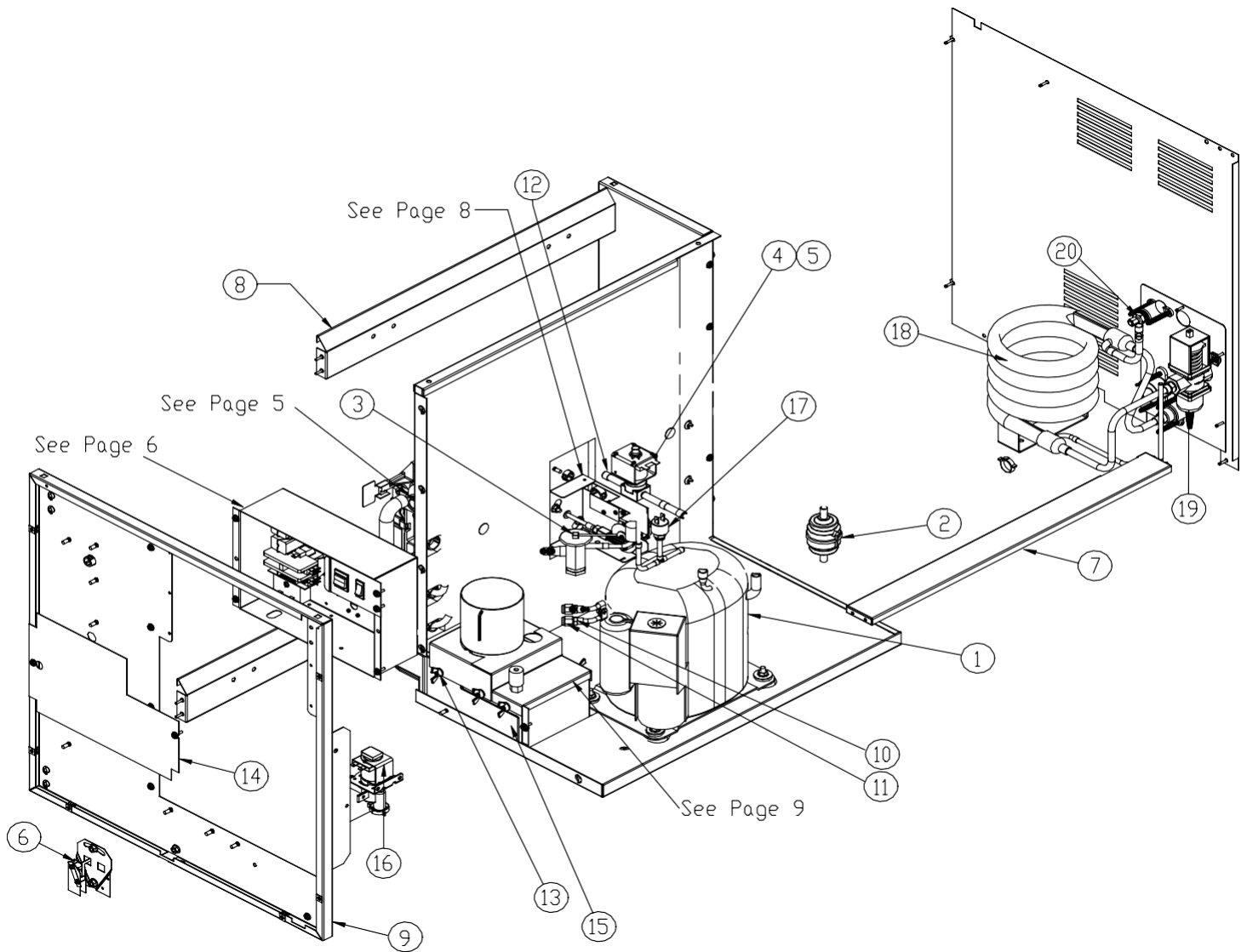
5=230/50/1



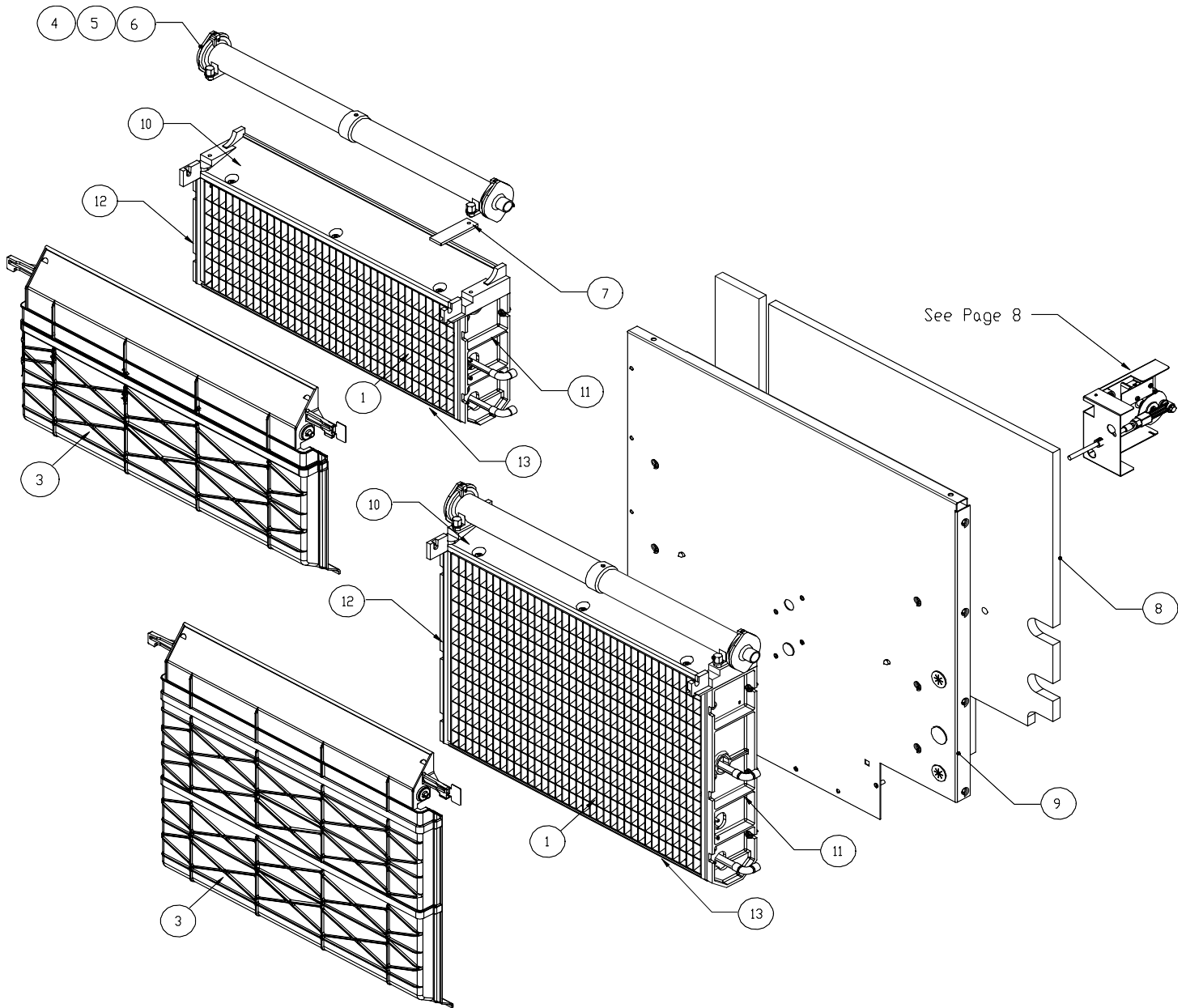
Item No.	Model Number				Stainless Steel Panels
	CCM0322 1	CCM0322 5	CCM0522 1	CCM0522 5	Description
1	620204755	620204755	620204755	620204755	Front Panel
2	620204388	620204388	620204388	620204388	Right Hand Side Panel-Air Cooled Only
	620204391	620204391	620204391	620204391	Right Hand Side Panel-Water Cooled Only
3	620204390	620204390	620204390	620204390	Top Panel
4	620204321	620204321	620204321	620204321	Left Hand Side Panel
5	620204445	620204445	620204445	620204445	Front Panel Screw
6	620204441	620204441	620204441	620204441	Side Panel Screw
7	620204389	620204389	620204389	620204389	Rear Cover Panel



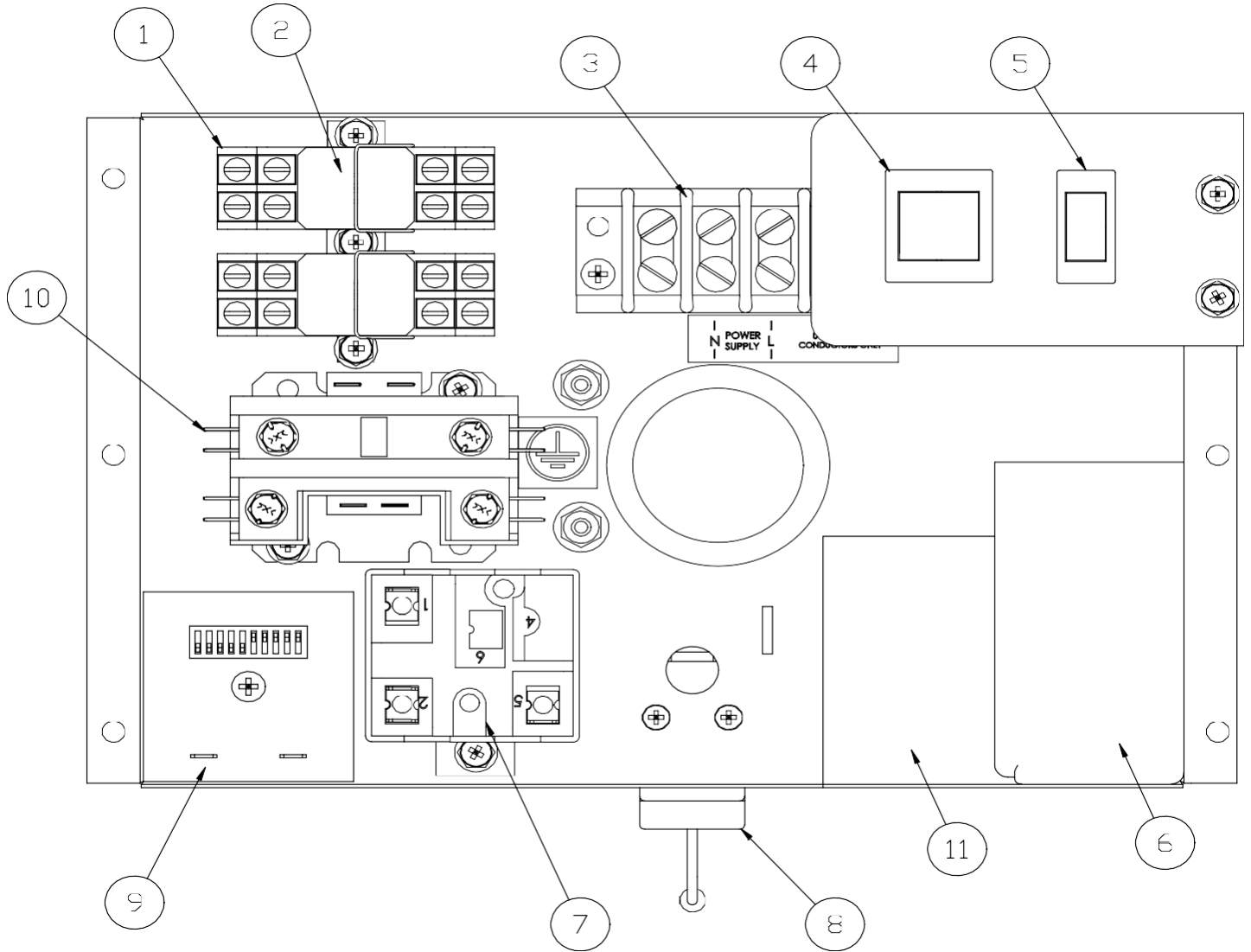
Item No.	Model Number				Description
	CCM0322 1	CCM0322 5	CCM0522 1	CCM0522 5	
1	620204699	620204700	620204699	620204706	Compressor Kit-- See page 6 for Compressor Components
2	620204601	620204601	620204601	620204601	Filter Drier
3	620204618	620204618	620204616	620204616	Expansion Valve
4	620204611	620204611	620204611	620204611	Hot Gas Valve Body
5	620204613	620204614	620204613	620204614	Hot Gas Valve Coil
6	620204552	620204552	620204552	620204552	Bin Switch
7	620204354	620204354	620204354	620204354	Side Brace
8	620204351	620204351	620204351	620204351	Ice Deflector
9	620204290	620204290	620204290	620204290	Front Frame panel
10	620204535	620204535	620204535	620204535	Service Valve Cap
11	620204534	620204534	620204534	620204534	Service Valve Core
12	620204480	620204480	620204480	620204480	High Temperature Safety Control
13	620204459	620204459	620204459	620204459	Nylon Wing Nut
14	620204355	620204355	620204355	620204355	Control Box Cover
15	620204510	620204510	620204510	620204510	Water Pan
16	620204468	620204469	620204468	620204469	Purge Valve
17	620204474	620204474	620204474	620204474	High Pressure Control
18	620204478	620204478	620204478	620204478	Fan Cycle Control



Item No.	Model Number				Description
	CCM0322 1	CCM0322 5	CCM0522 1	CCM0522 5	
1	620204699	N/A	620204699	N/A	Compressor Kit-- See page 6 for Compressor Components
2	620204601	N/A	620204601	N/A	Filter Drier
3	620204618	N/A	620204618	N/A	Expansion Valve
4	620204611	N/A	620204611	N/A	Hot Gas Valve Body
5	620204613	N/A	620204613	N/A	Hot Gas Valve Coil
6	620204552	N/A	620204552	N/A	Bin Switch
7	620204354	N/A	620204354	N/A	Side Brace
8	620204351	N/A	620204351	N/A	Ice Deflector
9	620204290	N/A	620204290	N/A	Front Frame panel
10	620204535	N/A	620204535	N/A	Service Valve Cap
11	620204534	N/A	620204534	N/A	Service Valve Core
12	620204480	N/A	620204480	N/A	High Temperature Safety Control
13	620204459	N/A	620204459	N/A	Nylon Wing Nut
14	620204355	N/A	620204355	N/A	Control Box Cover
15	620204510	N/A	620204510	N/A	Water Pan
16	620204468	N/A	620204468	N/A	Purge Valve
17	620204474	N/A	620204474	N/A	High Pressure Control
18	620204595	N/A	620204595	N/A	Water Cooled Condenser
19	620204465	N/A	620204465	N/A	Water Regulating Valve

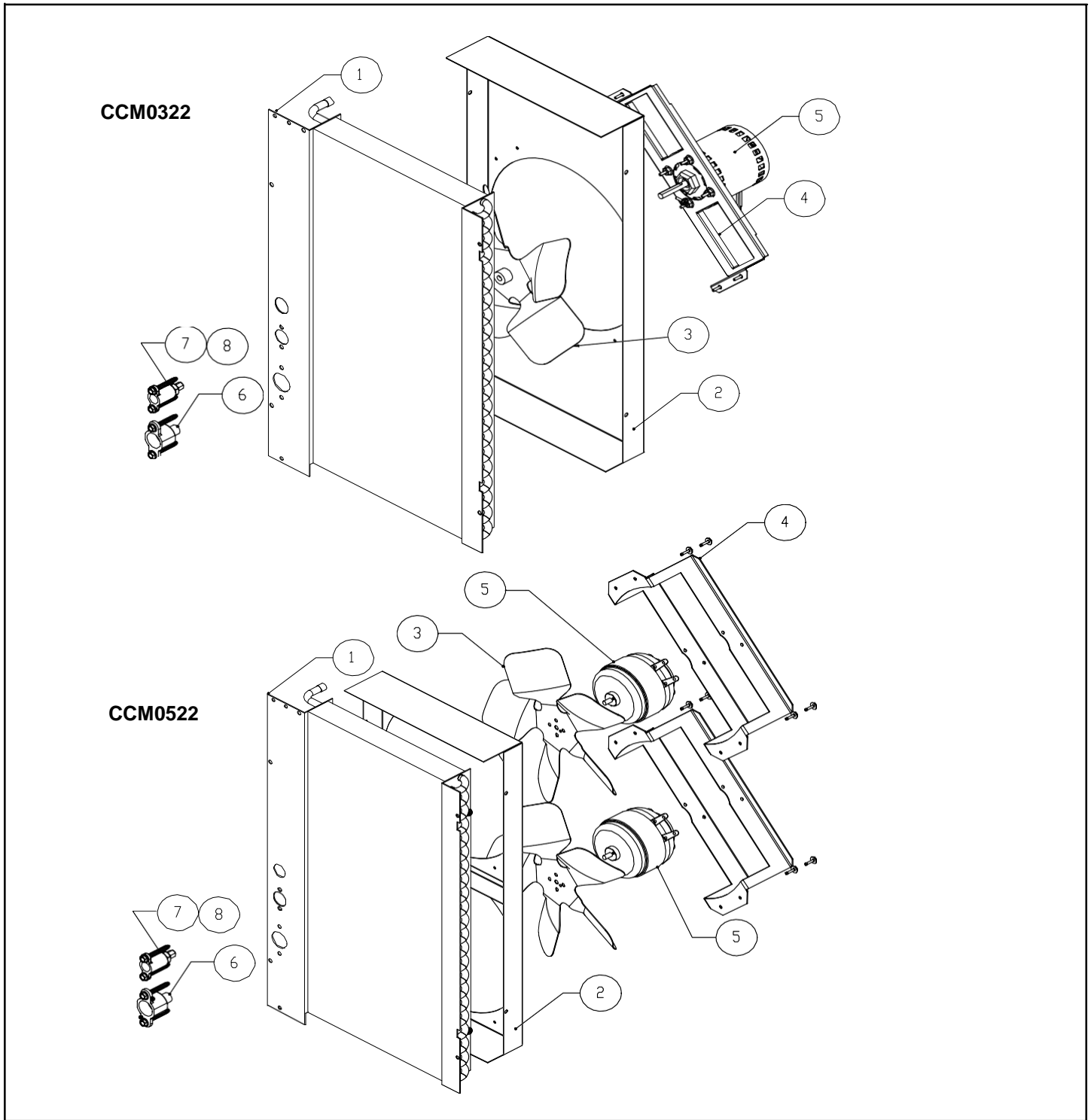


Item No.	Model Number				Description
	CCM0322 1	CCM0322 5	CCM0522 1	CCM0522 5	
1	620204304	620204304	620204756	620204756	Evaporator-Full Cube
1	620204305	620204305	620204757	620204757	Evaporator-Half Cube
3	620204758	620204758	620204323	620204323	Curtain
4	620204295	620204295	620204295	620204295	Water Distribution Tube
5	620204453	620204453	620204453	620204453	Thumb Screw
6	620204429	620204429	620204429	620204429	Washer
7	620204340	620204340	N/A	N/A	Curtain Stopper Clip
8	620204759	620204759	620204759	620204759	Insulation
9	620204760	620204760	620204760	620204760	Divider Panel
10	620204709	620204709	620204709	620204709	Evaporator Spillway
11	620204490	620204490	620204488	620204488	Evaporator Right Side Mounting Panel
12	620204489	620204489	620204487	620204487	Evaporator Left Side Mounting Panel
13	620204486	620204486	620204486	620204486	Evaporator Water Return

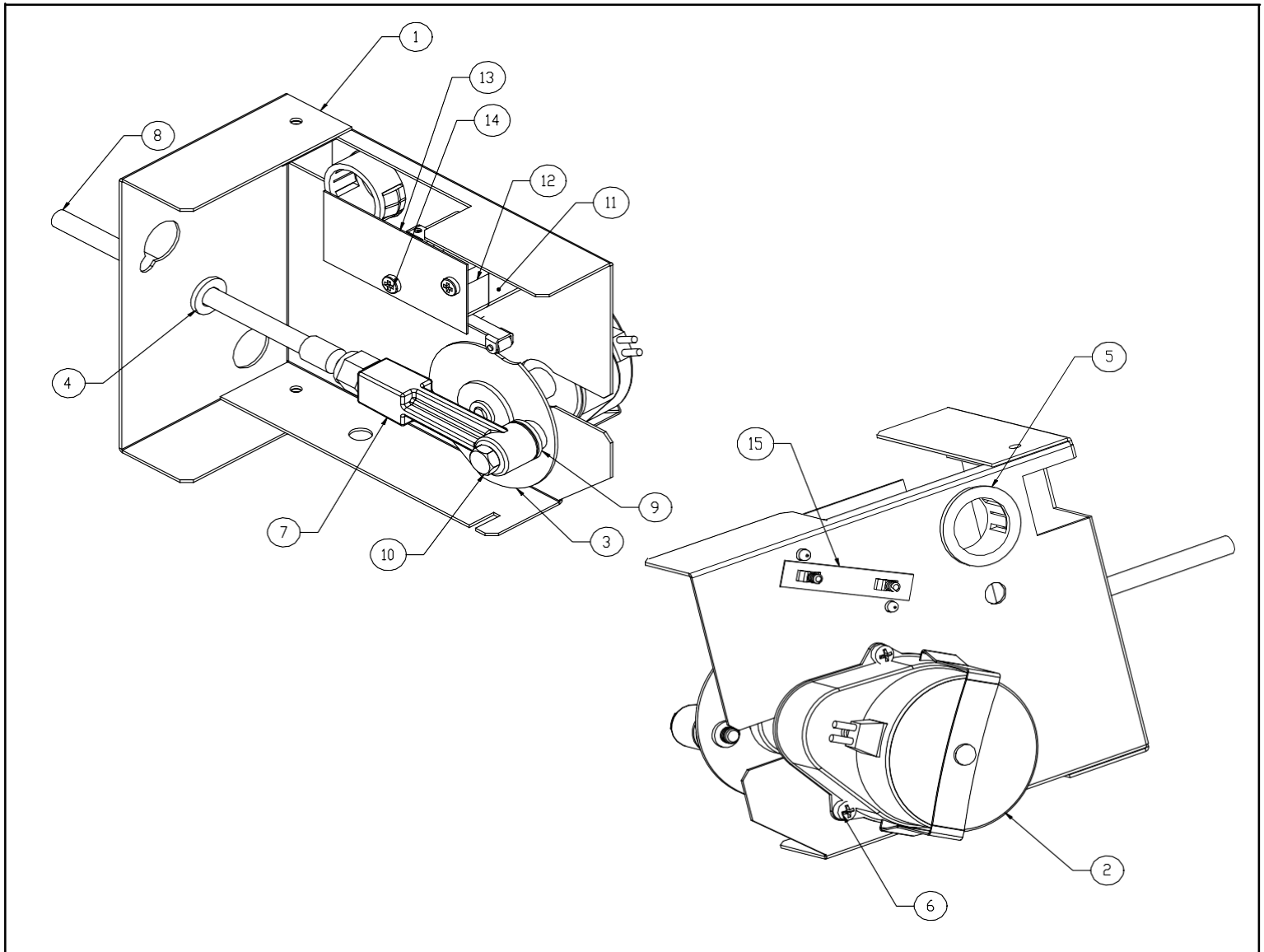


Item No.	Model Number				Description
	CCM0322 1	CCM0322 5	CCM0522 1	CCM0522 5	
1	620204548	620204548	620204548	620204548	Relay Socket
2	620204550	620204551	620204550	620204551	Relay
3	620204547	620204547	620204547	620204547	Terminal Board
4	620204557	620204557	620204557	620204557	On-Off Wash Switch
5	620204553	620204553	620204553	620204553	Purge Switch
6	620204656	620204657	620204656	620204657	Start Capacitor
7	620204660	620204680	620204660	620204683	Compressor Relay
8	620204476	620204476	620204476	620204476	Low Pressure Control
9	620204555	620204555	620204555	620204555	Timer
10	620204546	620204545	620204546	620204545	Contactor
11	N/A	620204667	N/A	620204667	Run Capacitor
12	620204480	620204480	620204480	620204480	High Temp Safety (Not Shown)
13	620204558	620204558	620204558	620204558	Water Pump Cord (Not Shown)

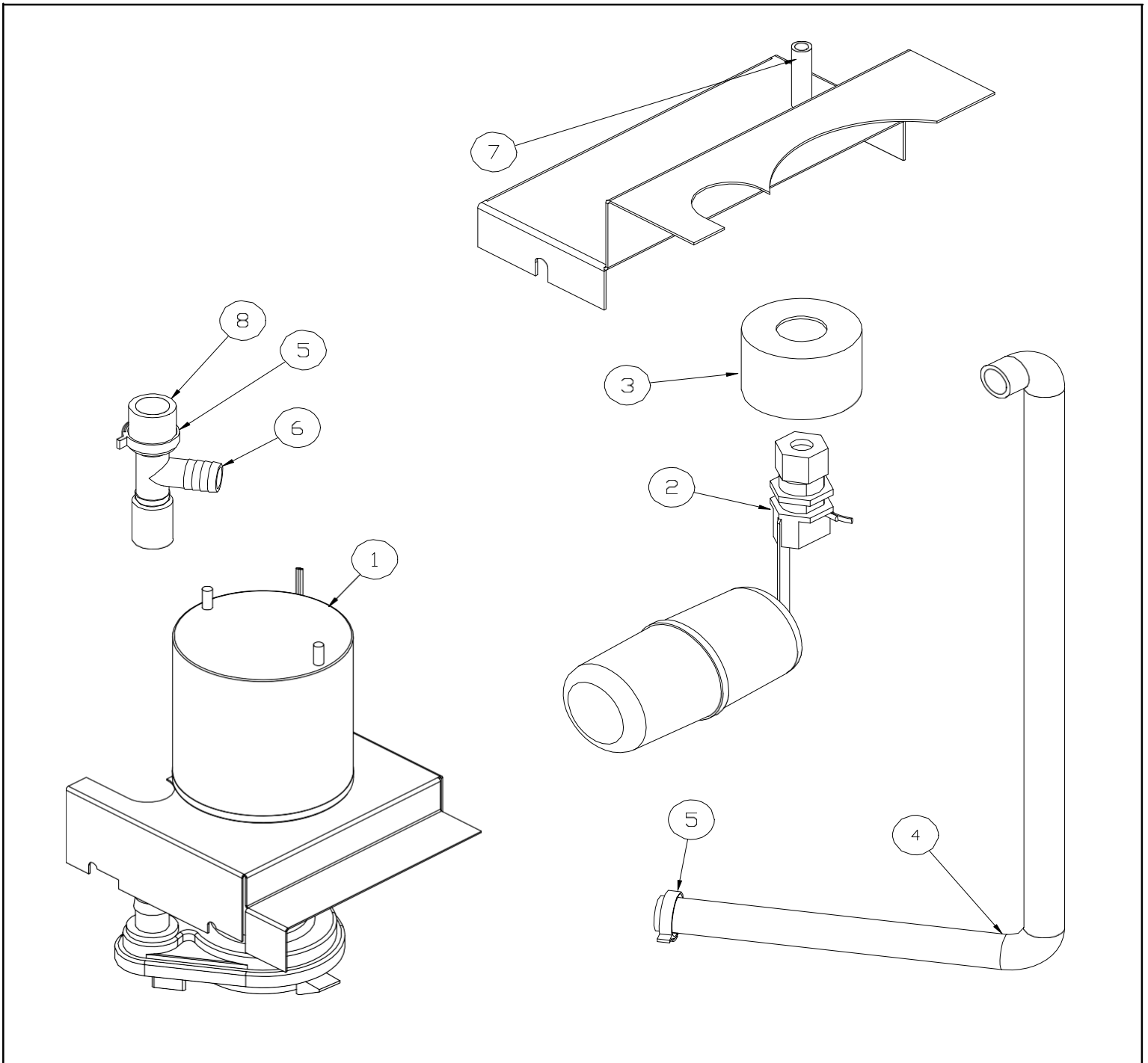
Specific Compressor Components				
CCM0322 1	CCM0322 5	CCM0522 1	CCM0522 5	
620204699	620204700	620204699	620204706	Compressor
620204656	620204657	620204656	620204657	Start Capacitor
N/A	620204667	N/A	620204667	Run Capacitor
620204660	620204680	620204660	620204683	Relay
620204663	620204664	620204663	620204666	Overload



Item No.	Model Number				Description
	CCM0322 1	CCM0322 5	CCM0522 1	CCM0522 5	
1	620204593	620204593	620204593	620204593	Air Condenser
2	620204357	620204357	620204287	620204287	Fan Shroud
3	620204572	620204578	620204578	620204578	Fan Blade
4	620204356	620204761	620204761	620204761	Fan Motor Bracket
5	620204640	620204636	620204644	620204636	Fan Motor
6	620204813	620204813	620204813	620204813	Drain Fitting
7	620204530	620204530	620204530	620204530	Drop Adapter
8	620204533	620204533	620204533	620204533	Water Inlet Fitting



Item No.	Model Number				Description
	CCM0322 1	CCM0322 5	CCM0522 1	CCM0522 5	
1	620204366	620204366	620204366	620204366	Bracket, Probe Motor
2	620204630	620204631	620204630	620204631	Gear Motor
3	620204569	620204569	620204569	620204569	Clutch Assembly 180 Degree
4	620204483	620204483	620204483	620204483	Snap Bushing
5	620204481	620204481	620204481	620204481	Snap Bushing
6	620204439	620204439	620204439	620204439	#6-32 x 1/2 Fillister Head Screw
7	620204484	620204484	620204484	620204484	Connecting Rod
8	620204424	620204424	620204424	620204424	Probe, Single Length
9	620204427	620204427	620204427	620204427	Plain Flat Washer
10	620204451	620204451	620204451	620204451	Shoulder Screw
11	620204516	620204516	620204516	620204516	Spacer, Cam Switch
12	620204556	620204556	620204556	620204556	Cam Switch
13	620204407	620204407	620204407	620204407	Insulator, Switch
14	620204434	620204434	620204434	620204434	Pan Head Machine Screw
15	620204452	620204452	620204452	620204452	Speed Nut Plate
	620204311	620204312	620204311	620204312	Complete Assembly



Item No.	Model Number				Description
	CCM0322 1	CCM0322 5	CCM0522 1	CCM0522 5	
1	620204632	620204633	620204632	620204633	Water Pump
2	620204564	620204564	620204564	620204564	Float Assembly
3	620204563	620204563	620204563	620204563	Float Splash Shield
4	620204512	620204512	620204511	620204511	Water Pump Tube
5	620204420	620204420	620204420	620204420	Plastic Clamp
6	620204528	620204528	620204528	620204528	Barbed Tee
7	620204403	620204403	620204403	620204403	Water Inlet Tube, 1/4 Inch x 24 Inch
8	620204412	620204412	620204412	620204412	5/8 Inch ID x 10 Inch Long Tube