



IMI CORNELIUS INC.
www.cornelius.com

**Nordic
Model CCU0150***1, 0220***1
Service Parts Manual
(Includes 50Hz. Units)**



Publication Number: 631806063

Revision Date: July 1, 2008

Manual Revision: A

Visit the IMI Cornelius web site at www.cornelius.com for all your Literature needs.

CCU Undercounter Service Parts

This parts list contains the service parts available for the CCU Undercounter icemakers listed below:

CCU01501 1 Air and Water Cooled**
CCU02201 1 Air and Water Cooled**
CCU02202 1 Air and Water Cooled**
CCU02205 1 Air and Water Cooled**

→ Engineering Revision Level

Check the model number on the data plate and refer to the correct listing for the specific component.

Check carefully that the correct part is identified and ordered.

Table of Contents	Page 1
Bin and Exterior Components	Page 2 - 3
Refrigeration System	Page 4 - 5
Harvest Assist Assembly	Page 6
Control Box	Page 7
Evaporator	Page 8
Water Pump	Page 9

E-Mail: tech.service@Cornelius.com

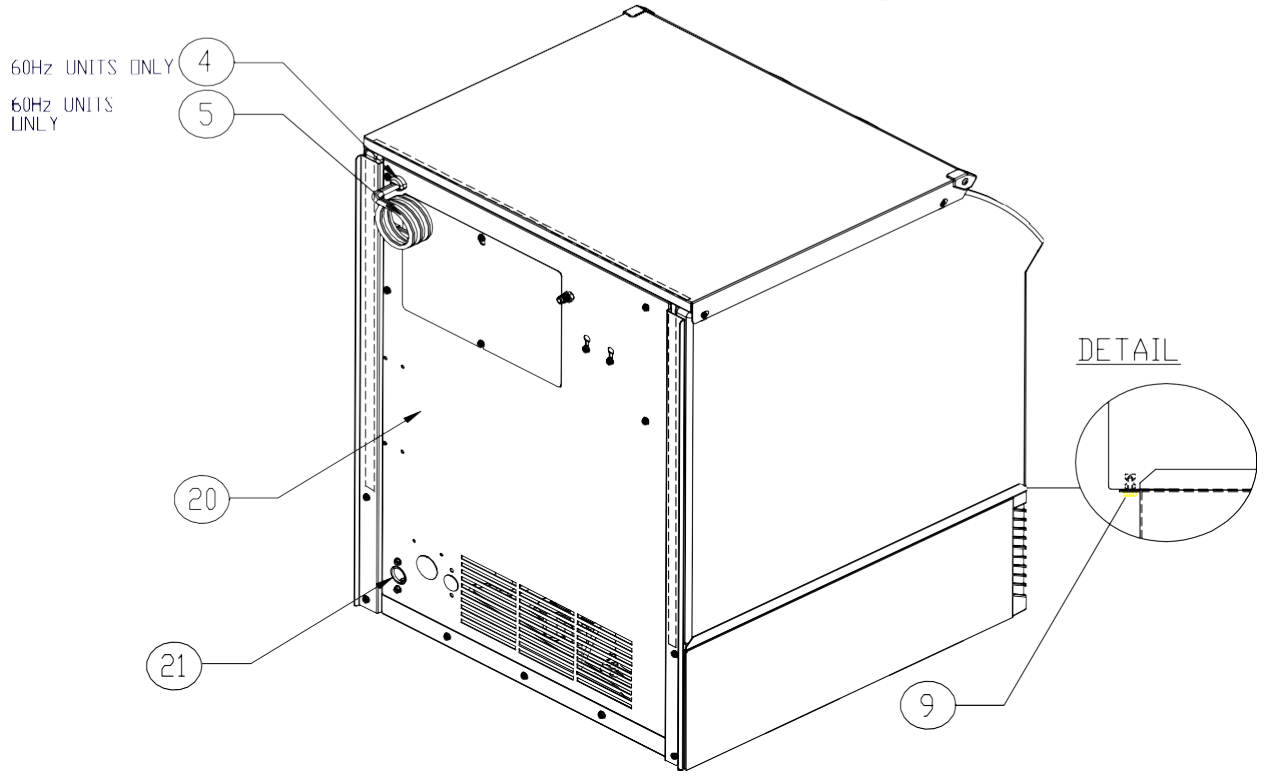
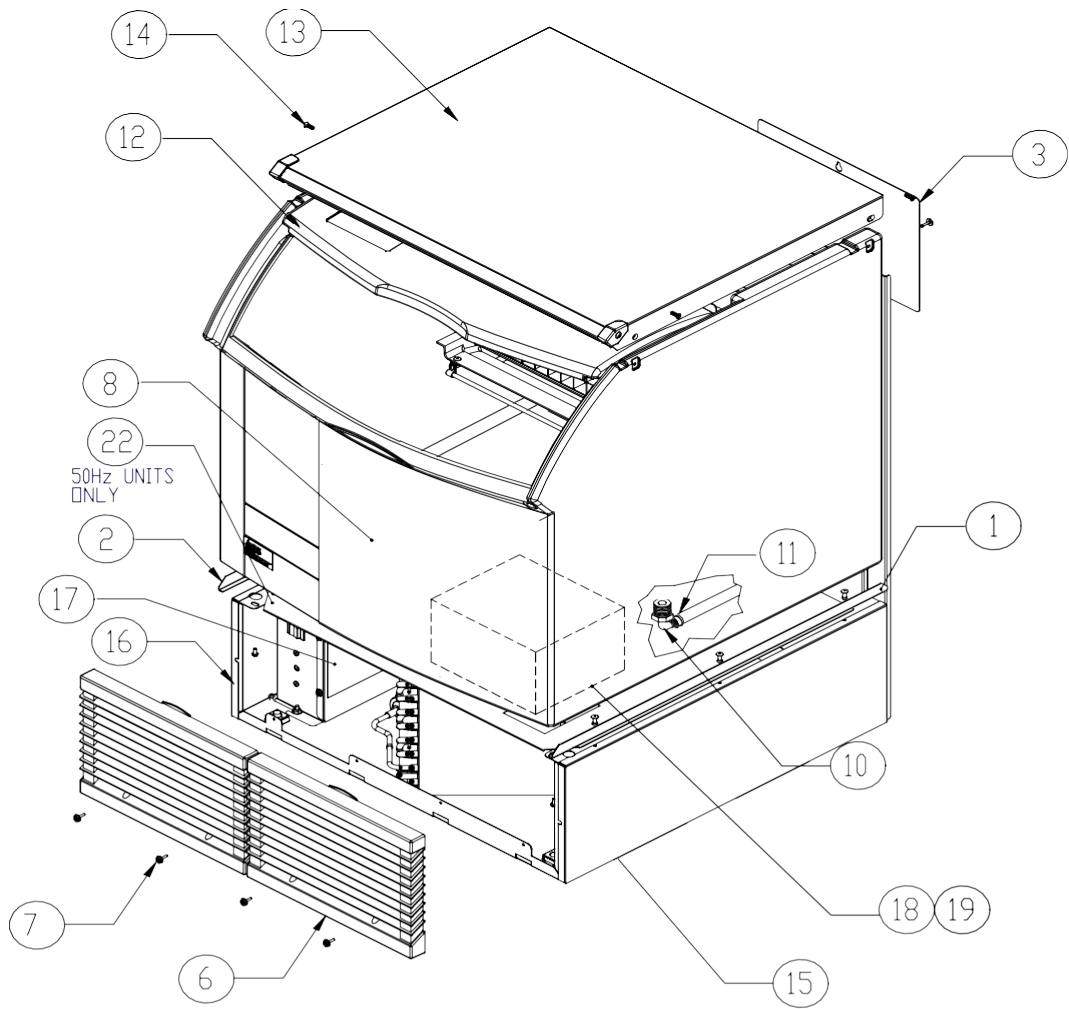
[Website : www.cornelius.com](http://www.cornelius.com)

Telephone Number
800-238-3600 All Departments

The CCU Series Service Manual is available separately, Part Number 631806061

Note: Model Number Suffix Indicates Machine Voltage As Follows:

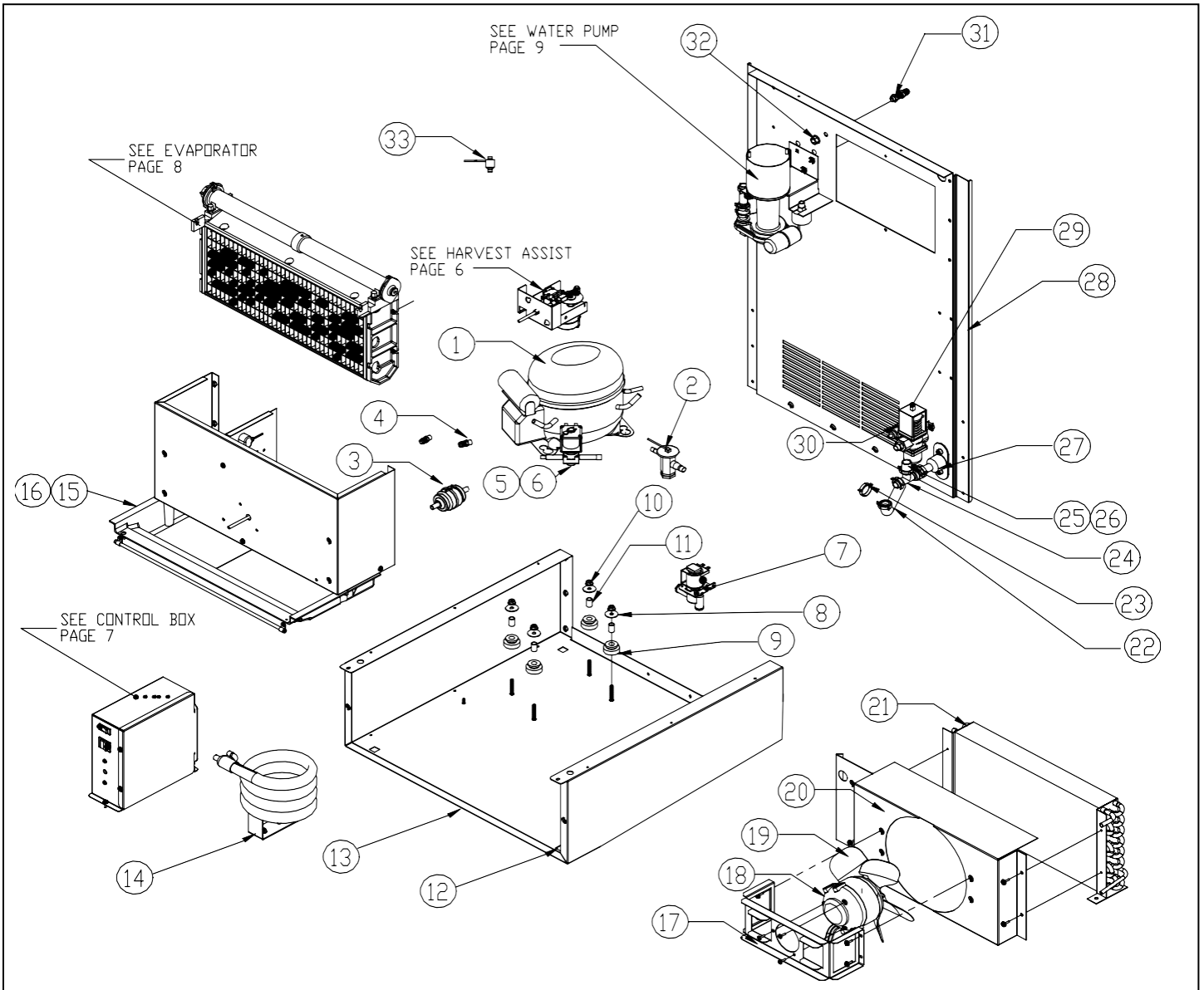
1=115/60/1
2=208-230/60/1
3=208-230/60/3
5=230/50/1



CCU Undercounter Service Parts

Bin and Exterior Components

Item	CCU0150 1 1	CCU0220 1 1	CCU0220 5 1	CCU0220 2 1	Description
1	620204395	620204395	620204395	620204395	Trim Strip RH
2	620204396	620204396	620204396	620204396	Trim Strip LH
3	620204333	620204333	620204333	620204333	Panel, Rear Access
4	620204562	620204562	620204562	620204562	Strain Relief
5	620204561	620204561	620204561	620204561	Power Cord
6	620204519	620204519	620204519	620204519	Front Grill (2 required, sold each)
7	620204442	620204442	620204442	620204442	Front Grill Screw
8	620204902	620204902	620204902	620204902	Bin Assembly (Includes Item 10)
9	620204446	620204446	620204446	620204446	Screw Hex Head
10	620204537	620204537	620204537	620204537	Drain Elbow
11	620204420	620204420	620204420	620204420	Clamp
12	620204903	620204903	620204903	620204903	Bin Door Assembly
	620204904	620204904	620204904	620204904	Bin Door
	620204455	620204455	620204455	620204455	Thumb Screw
	620204905	620204905	620204905	620204905	Door Stop
13	620204906	620204906	620204906	620204906	Bin Top Assembly
	620204907	620204907	620204907	620204907	Plastic Corner Cap Left Side
	620204908	620204908	620204908	620204908	Plastic Corner Cap Right Side
	620204444	620204444	620204444	620204444	Truss Head Sheet Metal Screw-Plastic Corner
14	620204440	620204440	620204440	620204440	Top Panel Screw
15	620204737	620204737	620204737	620204737	Right Side Panel
16	620204737	620204737	620204737	620204737	Left Side Panel
17	620204364	620204364	620204364	620204364	Control Box Cover
18	620204909	620204909	620204909	620204909	Leg Set (4 each)
19	620204485	620204485	620204485	620204485	Ice Scoop
20	620204910	620204910	620204910	620204910	Rear Panel
21	620204813	620204813	620204813	620204813	Drain Fitting
22	N/A	N/A	620204911	N/A	Cover Base Panel
24	620204460	620204460	620204460	620204460	Thumb Nut Three Prong



Item	CCU0150 1 1	CCU0220 1 1	CCU0220 5 1	CCU0220 2 1	Description
1	620204694	620204695	620204696	620204697	Compressor
2	620204621	620204621	620204621	620204621	Expansion Valve-Alco
3	620204601	620204601	620204601	620204601	Drier
4	620204534	620204534	620204534	620204534	Service Valve Core
	620204535	620204535	620204535	620204535	Service Valve Cap
5	620204615	620204615	620204615	620204615	Hot Gas Valve Body
6	620204613	620204613	620204614	620204614	Hot Gas Valve Coil
7	620204468	620204468	620204469	620204469	Purge Valve

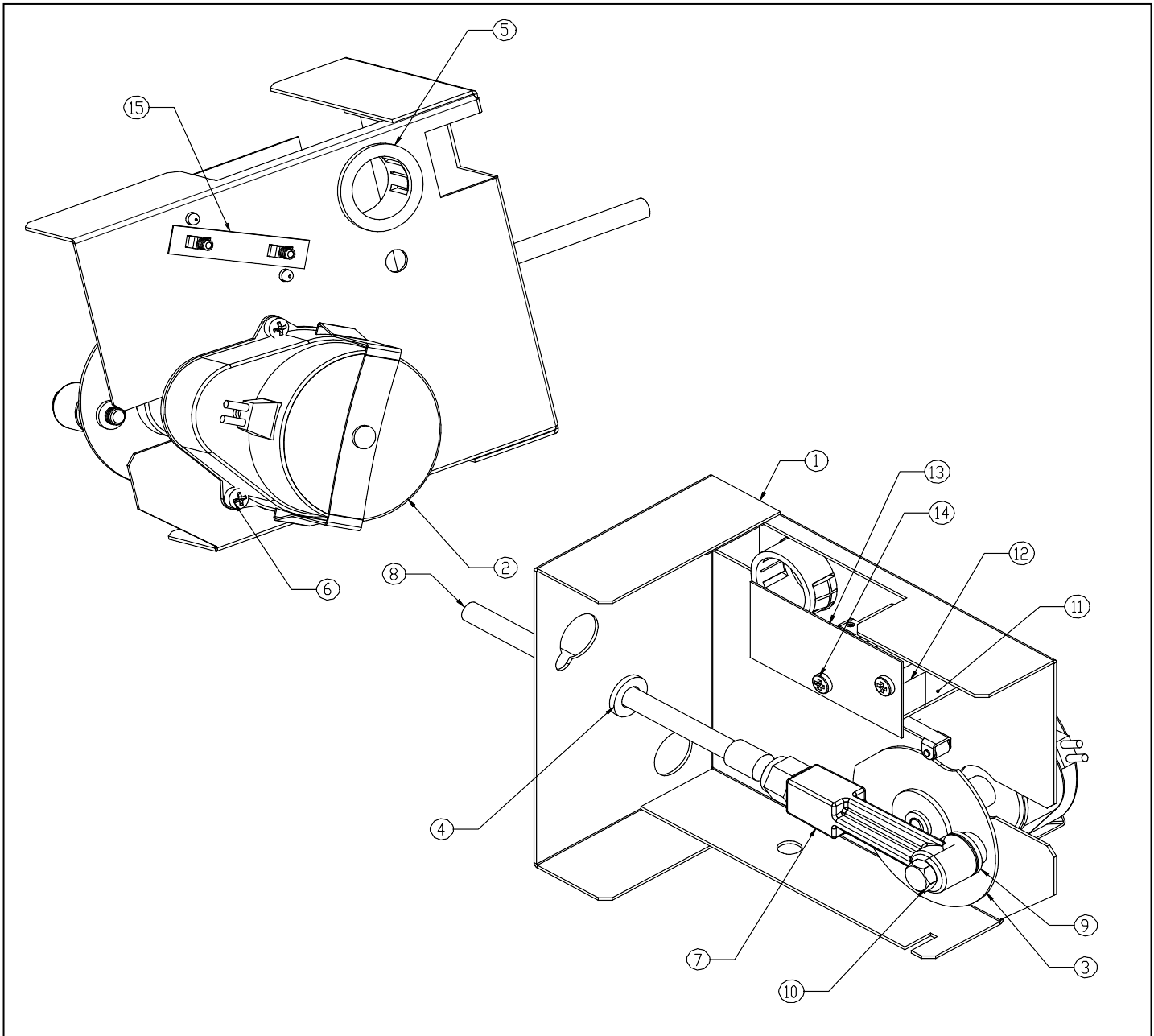
Compressor Components

620204694	620204695	620204696	620204697	Compressor
620204754	620204751	620204752	620204753	Overload
620204747	620204746	620204744	620204745	Start Capacitor
620204749	620204749	620204748	620204750	Compressor Relay

CCU Undercounter Service Parts

Refrigeration

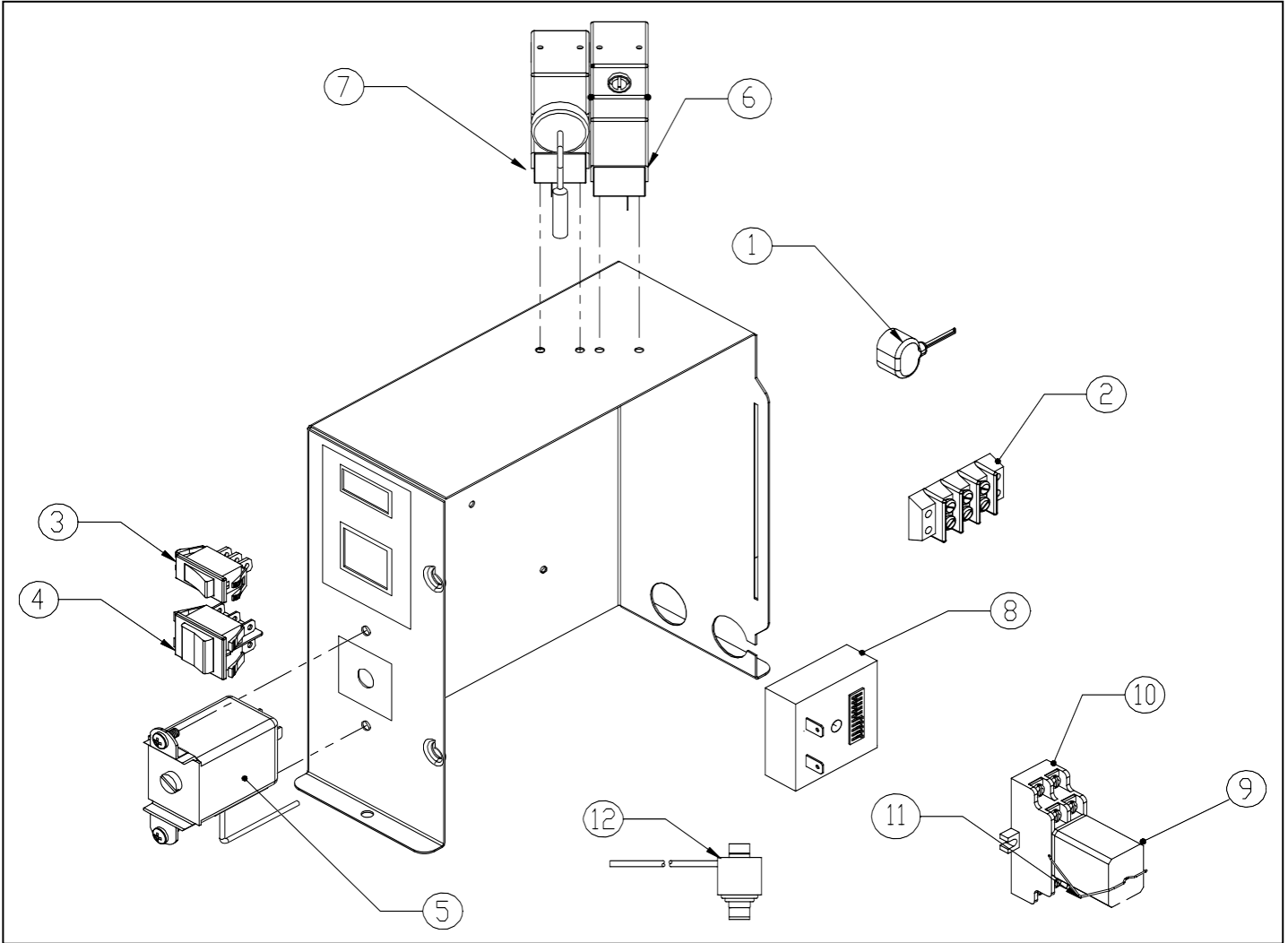
Item	CCU0150 1 1	CCU0220 1 1	CCU0220 5 1	CCU0220 2 1	Description
8	620204428	620204428	620204428	620204428	Flat Washer
9	620204742	620204742	620204742	620204742	Grommet
10	620204448	620204448	620204448	620204448	Lock Nut
11	620204743	620204743	620204743	620204743	Sleeve Compressor Mounting
12	620204435	620204435	620204435	620204435	Lock Nut (Leg)
13	620204901	620204901	620204901	620204901	Base Assembly
14	620204583	620204583	620204583	620204583	Water Condenser
15	620204317	620204317	620204317	620204317	Water Trough Assembly
16	620204454	620204454	620204454	620204454	Water Trough Screws
17	620204736	620204736	620204736	620204736	Fan Bracket
18	620204629	620204644	620204645	620204645	Fan Motor
19	620204579	620204579	620204579	620204579	Fan Blade
20	620204738	620204738	620204738	620204738	Fan Shroud
21	620204598	620204598	620204598	620204598	Air Condenser
22	620204503	620204503	620204503	620204503	Purge Drain Tube
23	620204421	620204421	620204421	620204421	Hose Clamp
24	620204528	620204528	620204528	620204528	Barbed Tee
25	620204411	620204411	620204411	620204411	Tubing 9/16 x 20 Inches Long
26	620204420	620204420	620204420	620204420	Hose Clamp
27	620204813	620204813	620204813	620204813	Drain Adapter
28	620204365	620204365	620204365	620204365	Rear Panel
29	620204465	620204465	620204465	620204465	Water Regulator
30	620204529	620204529	620204529	620204529	Drop Adapter Fitting
31	620204539	620204539	620204539	620204539	Water Inlet Fitting
32	620204450	620204450	620204450	620204450	Flanged Lock Nut
33	620204471	620204471	620204471	620204471	High Temperature Safety Control



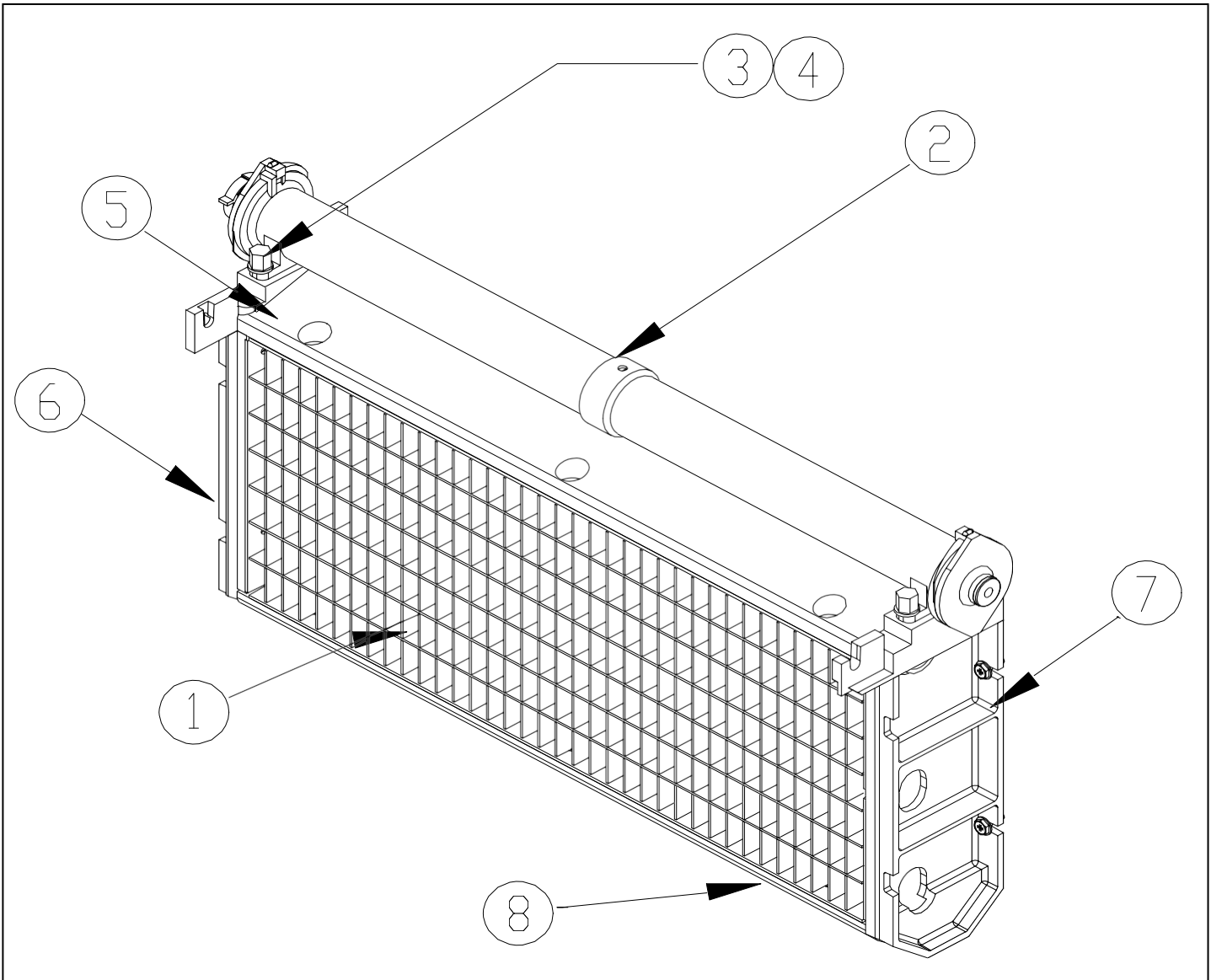
Item	CCU0150 1 1	CCU0220 1 1	CCU0220 5 1	CCU0220 2 1	Description
1	620204366	620204366	620204366	620204366	Bracket, Probe Motor
2	620204630	620204630	620204631	620204631	Gear Motor
3	620204570	620204570	620204570	620204570	Clutch Assembly, 60 Degree
4	620204483	620204483	620204483	620204483	Snap Bushing
5	620204481	620204481	620204481	620204481	Snap Bushing
6	620204439	620204439	620204439	620204439	#6-32 x 1/2 Screw
7	620204484	620204484	620204484	620204484	Connecting Rod
8	620204424	620204424	620204424	620204424	Probe, Single Length
9	620204427	620204427	620204427	620204427	Flat Washer
10	620204451	620204451	620204451	620204451	Shoulder Screw
11	620204516	620204516	620204516	620204516	Spacer, Cam Switch
12	620204556	620204556	620204556	620204556	Cam Switch
13	620204407	620204407	620204407	620204407	Insulator
14	620204434	620204434	620204434	620204434	Pan head Screw
15	620204452	620204452	620204452	620204452	Speed Nut Plate

CCU Undercounter Service Parts

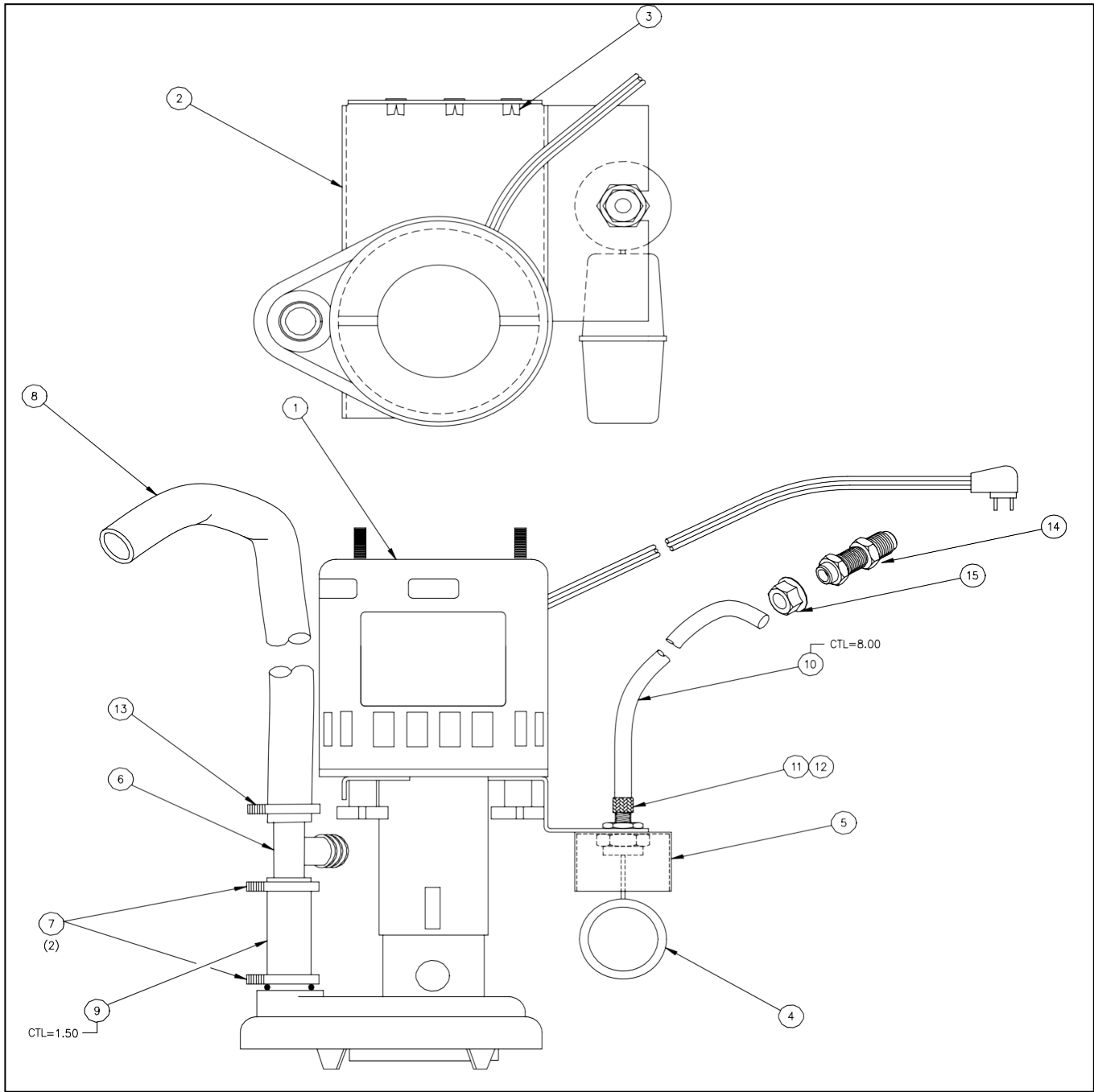
Control Box



Item	CCU0150 1 1	CCU0220 2 1	CCU0220 5 1	CCU0220 2 1	Description
1	620204741	620204741	620204741	620204741	Water Pump Connector
2	620204547	620204547	620204547	620204547	Terminal Block
3	620204553	620204553	620204553	620204553	Switch-Purge
4	620204557	620204557	620204557	620204557	Ice/Off/Wash Switch
5	620204479	620204479	620204479	620204479	Thermostat-Bin Control
6	620204476	620204476	620204476	620204476	Low Pressure Control (Timer Initiate)
7	620204477	620204477	620204477	620204477	High Pressure Control
8	620204555	620204555	620204555	620204555	Timing Module
9	620204550	620204550	620204551	620204551	Relay
10	620204548	620204548	620204548	620204548	Socket-Relay
11	620204549	620204549	620204549	620204549	Hold Down Spring - Relay
12	620204471	620204471	620204471	620204471	High Temperature Safety Control



Item	CCU0150 1 1	CCU0220 1 1	CCU0220 5 1	CCU0220 2 1	Description
1	620204307	620204307	620204307	620204307	Evaporator-Half Cube (Shown)
1	620204306	620204306	620204306	620204306	Evaporator-Full Cube
2	620204294	620204294	620204294	620204294	Water Distribution Tube
3	620204453	620204453	620204453	620204453	Thumbscrew
4	620204429	620204429	620204429	620204429	Rubber Washer
5	620204709	620204709	620204709	620204709	Spillway
6	620204489	620204489	620204489	620204489	Left Side Evaporator Mounting Panel
7	620204490	620204490	620204490	620204490	Right Side Evaporator Mounting Panel
8	620204486	620204486	620204486	620204486	Water Return



Item	CCU0150 1 1	CCU0220 2 1	CCU0220 5 1	CCU0220 2 1	Description
1	620204632	620204632	620204633	620204633	Water Pump
2	620204343	620204343	620204343	620204343	Pump Bracket
3	620204457	620204457	620204457	620204457	Plastic Nut
4	620204564	620204564	620204564	620204564	Float
5	620204563	620204563	620204563	620204563	Cap Plug
6	620204528	620204528	620204528	620204528	Plastic Barbed Tee 5/8
7	620204420	620204420	620204420	620204420	Plastic Clamp
8	620204501	620204501	620204501	620204501	Hose PVC 9/16 (Formed)
9	620204416	620204416	620204416	620204416	Hose PVC 5/8 - 1.50 Inch Required
10	620204418	620204418	620204418	620204418	Tube-Polyethylene - 8 Inches Required
11	620204531	620204531	620204531	620204531	Barrel Fitting
12	620204532	620204532	620204532	620204532	Sleeve
13	620204419	620204419	620204419	620204419	Plastic Clamp
14	620204539	620204539	620204539	620204539	Water Inlet Fitting
15	620204450	620204450	620204450	620204450	Lock Nut