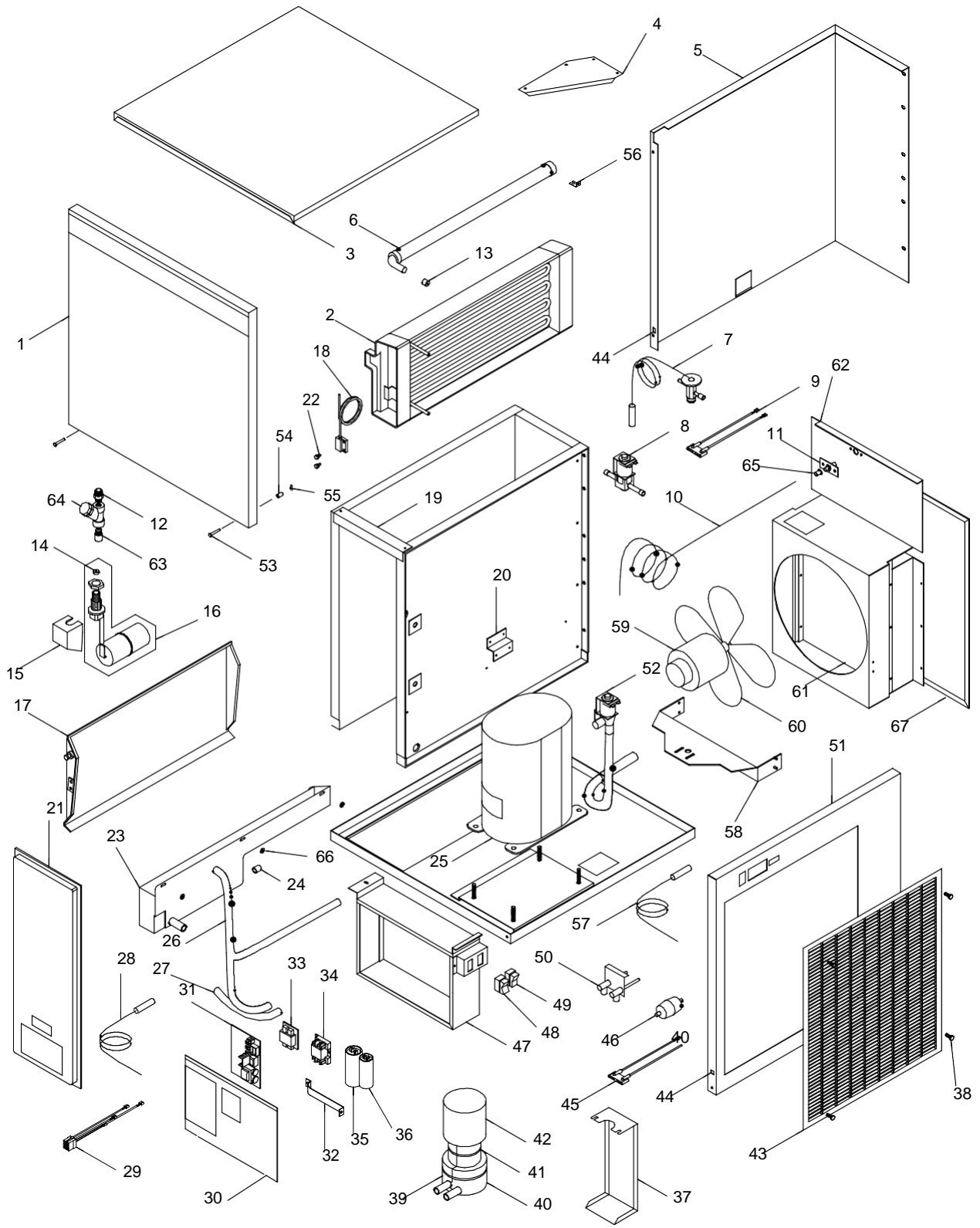


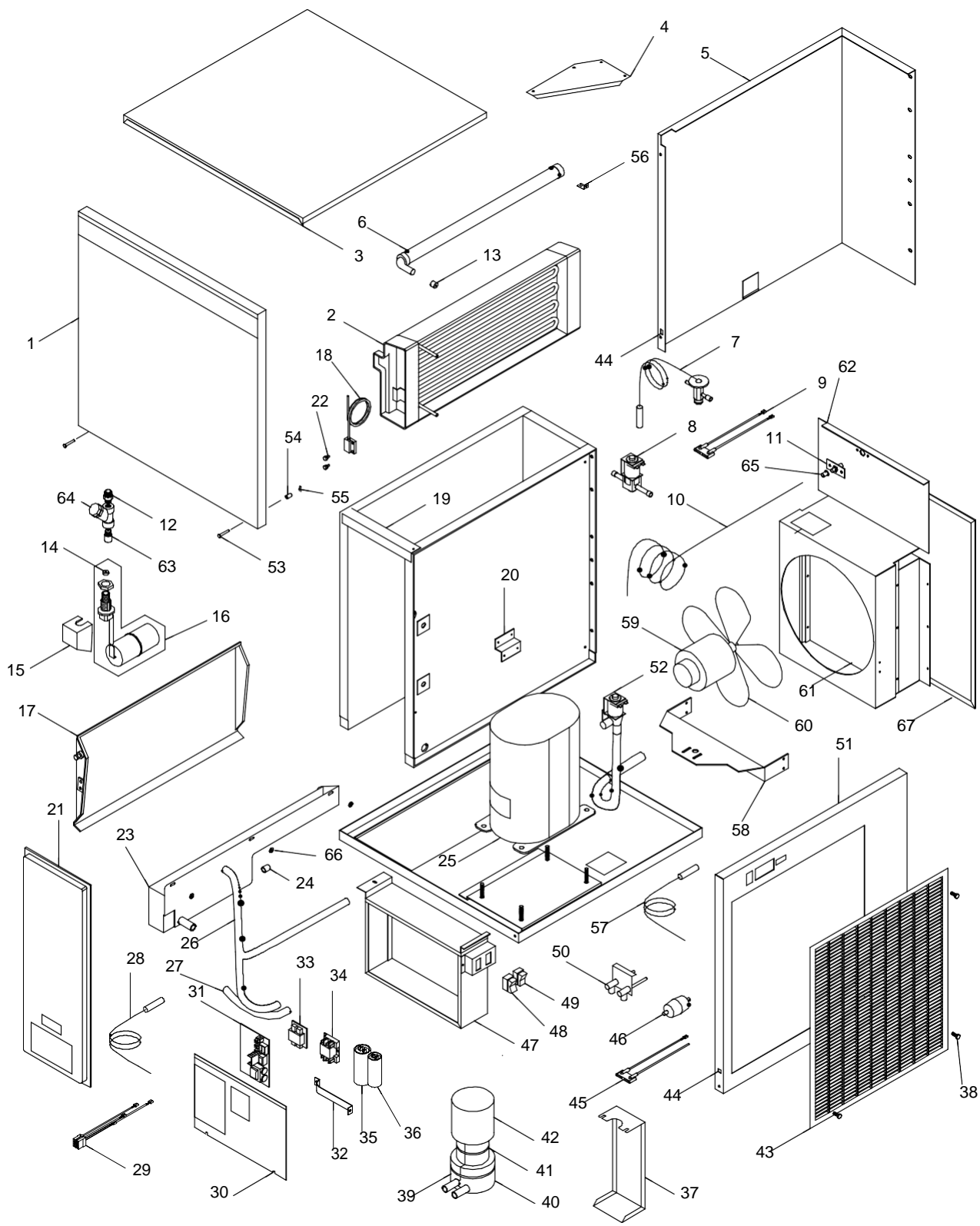


Ice Making Equipment Illustrated Parts Lists



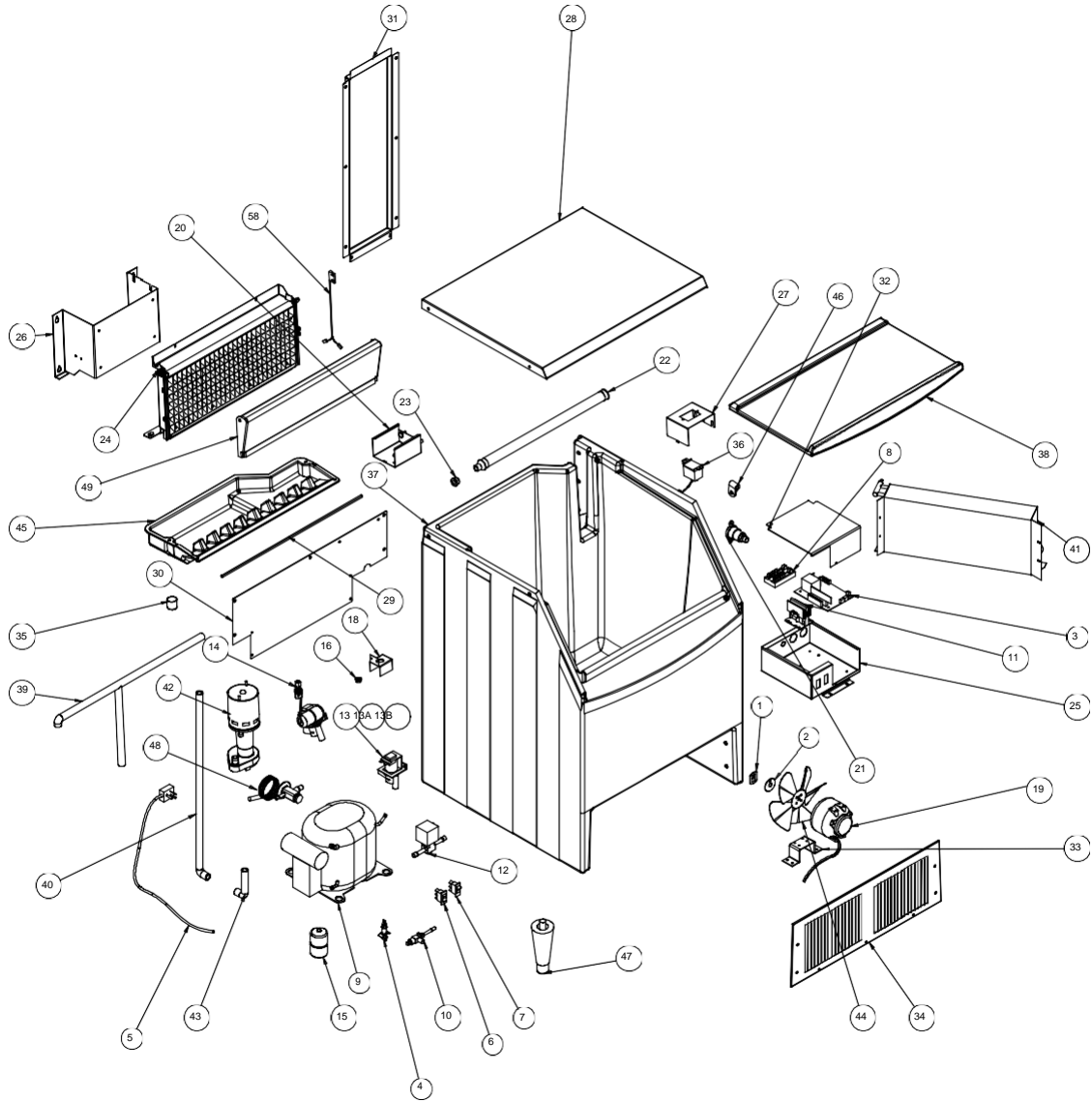
ILL267

	DESCRIPTION	IAC322	IAC522	IAC330	IAC530
1	PANEL, FRONT SS	164873009	164873009	164873016	164873016
2	EVAPORATOR ASSEMBLY	164847004	164847005	164847004	164847005
3	COVER, TOP	164874003	164874003	164874010	164874010
4	BRACE, CABINET	164921005	164921005	164921005	164921005
5	WRAP, CABINET	165627012	165627012	165627014	165627014
6	MANIFOLD ASSEMBLY RH	161456063	161456063	161456063	161456063
7	VALVE THERMOSTATIC EXP.	161921006	161921007	161921006	161921007
8	VALVE HOT GAS & SOLENOID (120V 60HZ)	165629005	165629006	165629005	165629006
	VALVE HOT GAS & SOLENOID (230V 50/60HZ)	165629011	165629013	165629011	165629013
9	PLUG ASY, HOT GAS	163231004	163231004	163231004	163231004
	Plug Asy, Hot Gas 50 Hz.	153231007	163231007	163231007	163231007
10	TUBING .250 O.D. X.194 I.D. POLY	166204003	166204003	166204003	166204003
11	WATER INLET ASY	164832014	164832014	164832014	164832014
12	CONNECTOR #10 MALE	40832	40832	40832	40832
13	ORIFICE (.203 I.D. X .560 O.D.)	166195000	166195000	166195000	166195000
14	WASHER, FLOW.6 GPM	168089001	168089001	168089001	168089001
15	SHIELD, SPLASH FLOAT	161329002	161329002	161329002	161329002
16	FLOAT VALVE ASY	165681001	165681001	165681001	165681001
17	EVAPORATOR COVER ASY	166050009	166050010	166050009	166050010
18	SWITCH, PROXIMITY ASY	161473204	161473204	161473204	161473204
19	BRACE UPPER	164921021	164921021	164921024	164921024
20	BRACKET DUMP VALVE	166193000	166193000	166193000	166193000
21	PANEL ICE SECTION	163250009	163250009	163250009	163250009
22	SCREW MA0632 008KN NY	161821000	161821000	161821000	161821000
23	PAN, WATER PLASTIC	631500008	631500008	631500008	631500008
24	CAP PLUG .50 I.D.	45681	45681	45681	45681
25	COMPRESSOR, COPELAND, KIT (120V 60HZ)	161456014	161456015	161456014	161456015
	COMPRESSOR, COPELAND, KIT (230V 50HZ)	161456040	161456041	161456040	161456041
	COMPRESSOR, COPELAND, KIT (230V 60HZ)	161456042	161456043	161456042	161456043
26	TUBE VINYL MOLDED	165636007	165636009	165636007	165636009
27	TUBE VINYL MOLDED PAN-PUMP	165636010	165636010	165636010	165636010
28	SENSOR (SUCTION LINE)	631500009	631500009	631500009	631500009
29	CONTROLLER ASY WIRE (120/230V 60HZ)	161929003	161929003	161929003	161929003
29.1	CONTROLLER ASY WIRE (230V 50HZ)			161929011	161929011
30	COVER ELECTRICAL BOX	161879004	161879004	161879010	161879010
31	CIRCUIT BOARD (120/230V 50/60HZ)	630000263	630000263	630000263	630000263
32	STRAP, CAPACITOR	630200166	630200166	630200166	630200166
33	POWER CONTACTOR (115V 60HZ)	164884002	164884002	164884002	164884002
	POWER CONTACTOR (220/230V 50/60HZ)	40713	40713	40713	40713
34	RELAY, START COMPRESSOR (120V 60HZ)	161998008	161998009	161998008	161998009
	RELAY, START COMPRESSOR (230V 50/60HZ)	161998011	161998012	161998011	161998012
35	CAPACITOR, START (120V 60HZ)	161165007	161165008	161165007	161165008
	CAPACITOR, START (230V 50HZ)	161165010	25335	161165010	25335
	CAPACITOR, START (230V 60HZ)	161165011	161165012	161165011	161165012
36	CAPACITOR RUN (120V 60 HZ)	NIA	161192004	NIA	161192004
37	BRACKET WATER PUMP	164820915	164820915	164820915	164820915
38	SCREW	161168006	161168006	161168006	161168006
39	INSULATION WATER PUMP	161558000	161558000	161558000	161558000
40	INSULATION WATER PUMP	161559000	161559000	161559000	161559000
41	CABLE TIE 14"-5/8"	167811000	167811000	167811000	167811000
42	PUMP WATER IN-LINE (120V 60HZ)	41011	41011	41011	41011
	PUMP WATER IN-LINE (230V 50/60HZ)	39144	39144	39144	39144
43	LOUVER PANEL	166194001	166194001	166194001	166194001
44	NUT 1032 SP ST RET	164510001	164510001	164510001	164510001
45	PLUG ASY DUMP VALVE	45880	45880	45880	45880
46	DRIER, FILTER	166184001	166184002	166184001	166184002
47	WRAP ELECTRICAL BOX	161877104	161877104	161877107	161877107
48	SWITCH ROCKER SPTD ON-OFF-ON (115V 60HZ)	161297004	161297004	161297004	161297004
	SWITCH ROCKER SPTD ON-OFF-ON (230V 50/60HZ)	161297005	161297005	161297005	161297005
49	SWITCH ROCKER DUMP SPDT	161297006	161297006	161297006	161297006
50	VALVE SERVICE (2) REQ'D	162978003	162978003	162978003	162978003
51	PANEL SIDE RIGHT HAND	163109010	163109010	163109010	163109010
52	VALVE DUMP ASY (120V 60HZ)	165637008	165637008	165637008	165637008
	VALVE DUMP ASY (230V 50/60HZ)	165637009	165637009	165637009	165637009
52.1	DUMP VALVE SOL COIL ONLY (120V 60HZ)	165637016	165637016	165637016	165637016
	DUMP VALVE SOL COIL ONLY (230V 50/60HZ)	165637019	165637019	165637019	165637019
52.2	DUMP VALVE DIAPHRAM REPAIR KIT	165637018	165637018	165637018	165637018
53	SCREW MA1032 040 TR SS PH	161168004	161168004	161168004	161168004
54	SPACER NYLON 5/16 DIA X 3/4	164854002	164854002	164854002	164854002
56	CLIP, MANIFOLD WATER	164123001	164123001	164123001	164123001
57	SENSOR TEMPERATURE (COND.)	161862005	161862005	161862005	161862005
58	BRACKET, FAN MOTOR	163183006	163183006	163183006	163183006
59	MOTOR FAN & TERMINAL ASY (120V 60HZ) Prior to 8-98	166181002	166181002	166181002	166181002
	MOTOR FAN & TERMINAL ASY (120V 60HZ168121001) After 8-98	630000456	630000456	630000456	630000456
	MOTOR FAN & TERMINAL ASY (230V 50HZ)	166181011	166181011	166181011	166181011
60	BLADE, FAN	165595003	165595003	165595003	165595003
61	COIL, CONDENSER	161870002	161870004	161870002	161870004
62	SHROUD, CONDENSER	161890004	161890003	161890004	161890003
63	COUPLING	166228001	166228001	166228001	166228001
64	STRAINER	162865003	162865003	162865003	162865003
65	SLEEVE BRASS		168121001	168121001	168121001
66	WASHER PLS (3) REQ'D	168807000	168807000	168807000	168807000
67	COND. FILTER (W/ MOUNTING TAPE)	166038002	166038002	166038002	166038002
68	Condenser Air Deflector (not shown)	166258001	166258001	166258001	166258001

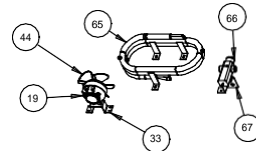


ILL267

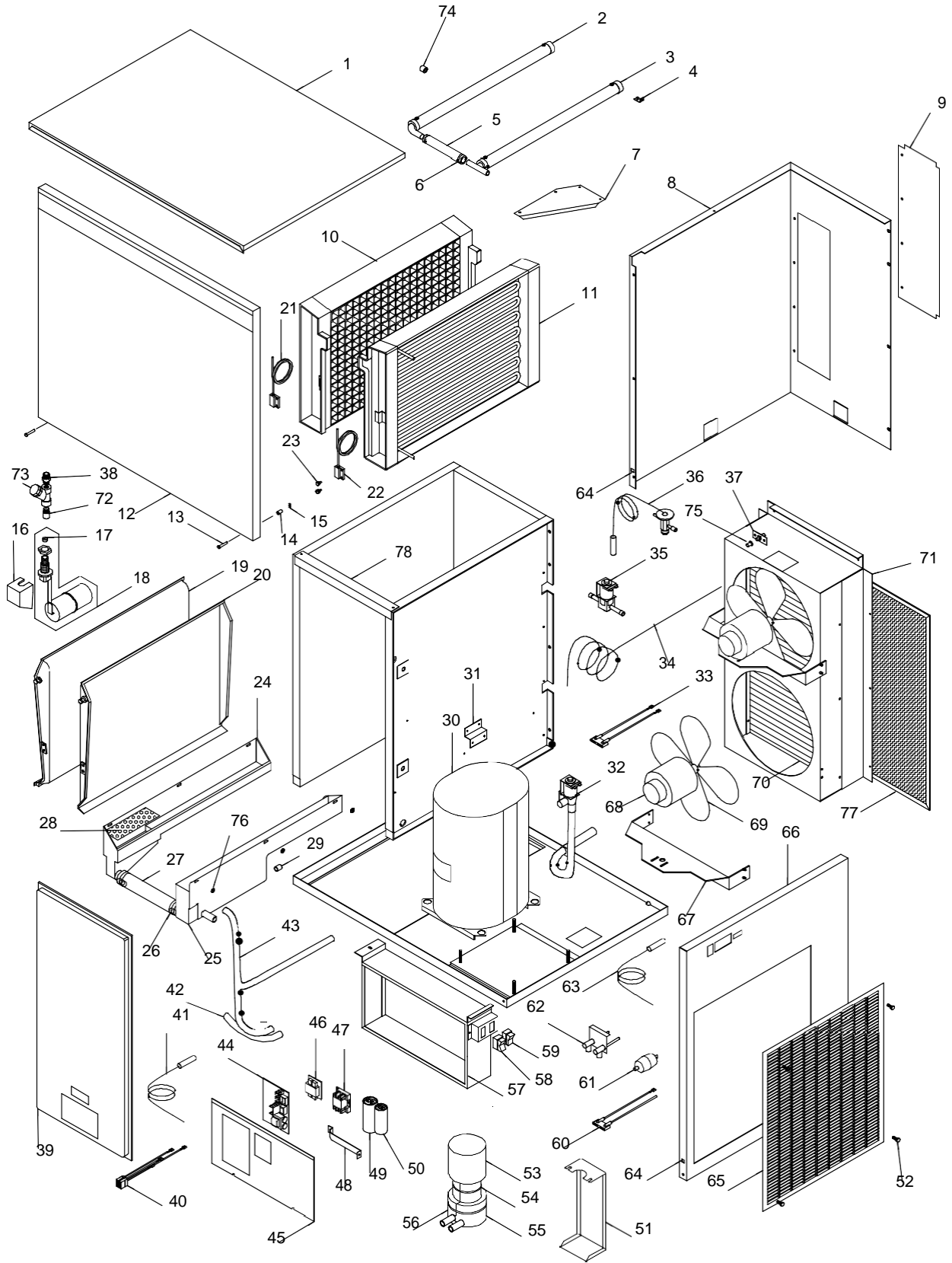
	Description	IAC630	IAC830
1	PANEL , FRONT	164873011	164873011
2	EVAPORATOR ASY	164847019	164847019
3	COVER, TOP	164874004	164874004
4	BRACE, CABINET	161915005	164921005
5	WRAP, CABINET	165627017	165627017
6	MANIFOLD ASY	161456063	161456063
7	VALVE, TXV	161921008	161921008
8	VALVE ASY, HOT GAS	165629007	165629007
9	PLUG ASY, HOT GAS	163231004	163231004
	PLUG ASY, HOT GAS 50 HZ.	163231007	163231007
10	TUBING .250 O.D.	166204003	166204003
11	WATER INLET ASY	164832014	164832014
12	CONNECTOR #10	40832	40832
13	ORIFICE	166195000	166195000
14	WASHER FLOW	168089001	168089001
15	SHIELD, SPLASH	161329002	161329002
16	VALVE, FLOAT ASY	165681001	165681001
17	COVER, EVAPORATOR	166050011	166050011
18	SWITCH PROXIMITY	161473204	161473204
19	BRACE , UPPER	164921022	164921022
20	BRACKET DMP VLV	166193000	166193000
21	PANEL, ICE SECTION	163250010	163250010
22	SCREW 6-32	161821000	161821000
23	PAN, WATER	631500008	631500008
24	CAP, PLUG	45681	45681
25	COMPRESSOR, KIT (230V 60HZ)	630000399	161456022
	COMPRESSOR, KIT (230V 50HZ)	630000397	161456046
26	TUBE, VINYL	165636010	165636010
27	TUBE, VINYL	165636009	165636009
28	SENSOR, SUC LINE	631500009	631500009
29	CONTROLLER WIRE ASY	161929004	161929004
30	COVER, ELEC BOX	161879007	161879007
31	CIRCUIT BOARD (230V 50/60HZ)	630000263	630000263
32	STRAP , CAPACITOR	630200166	630200166
33	CONTACTOR	40713	40713
34	RELAY, START (230V 60HZ)	161998009	40285
	RELAY, START (230V 50HZ)	638090242	161998009
35	CAPACITOR, START (230V 60HZ)	161165015	40284
	CAPACITOR, START (230V 50HZ)	630900281	40284
36	CAPACITOR, RUN (230V 50/60HZ)	630900282	27765
	CAPACITOR, RUN (220V 50HZ)	630900282	27765
37	BRACKET, WATER PUMP	164820915	164820915
38	SCREW	161168006	161168006
39	INSULATION, WATER PUMP	161558000	161558000
40	INSULATION,WATER PUMP	161559000	161559000
41	CABLE , TIE	167811000	167811000
42	PUMP WTR	39144	39144
43	LOUVER, PANEL	166194001	166194001
44	NUT 19-32	164510001	164510001
45	PLUG ASY, HOT GAS	45880	45880
46	DRIER FILTER	166184002	166184002
47	WRAP ELECT BOX	161877106	161877106
48	SWITCH, ON/OFF	161297005	161297005
49	SWITCH, DUMP VALVE	161297006	161297006
50	VALVE SERVICE (2) REQ	162978003	162978003
51	PANEL, RH	163109011	163109011
52	VALVE , DUMP (230V 50/60HZ)	165637009	165637009
52.1	VALVE DUMP,COIL ONLY (230V 50/60HZ)	165637017	165637017
52.2	VALVE DUMP,DIAPHRAGM KIT	165637018	165637018
53	SCREW 10-32	70910	70910
54	SPACER,NYLON	164854002	164854002
55			
56	CLIP ,MANIFOLD (2) REQ.	164123001	164123001
57	SENSOR, CONDENSER	161862005	161862005
58	BRACKET, FAN MOTOR	163183007	163183007
59	MOTOR,FAN (230V 60HZ)	166181009	166181009
	MOTOR,FAN (230V 50HZ)	166181012	166181012
60	BLADE,FAN, CONDESER	165595004	165595007
61	COIL, CONDENSER	38668	38668
62	SHROUD,CONDENSER	161890018	161890018
63	COUPLING	166228001	166228001
64	STRAINER	162865003	162865003
65	SLEEVE BRASS	168121001	168121001
66	WASHER PLS (3) REQ'D	168807000	168807000
67	COND. FILTER (W/ MOUNTING TAPE)	166038002	166038002
68	CONDENSER AIR DEFLECTOR (NOT SHOWN)	166258002	166258002



IWCS224 ONLY

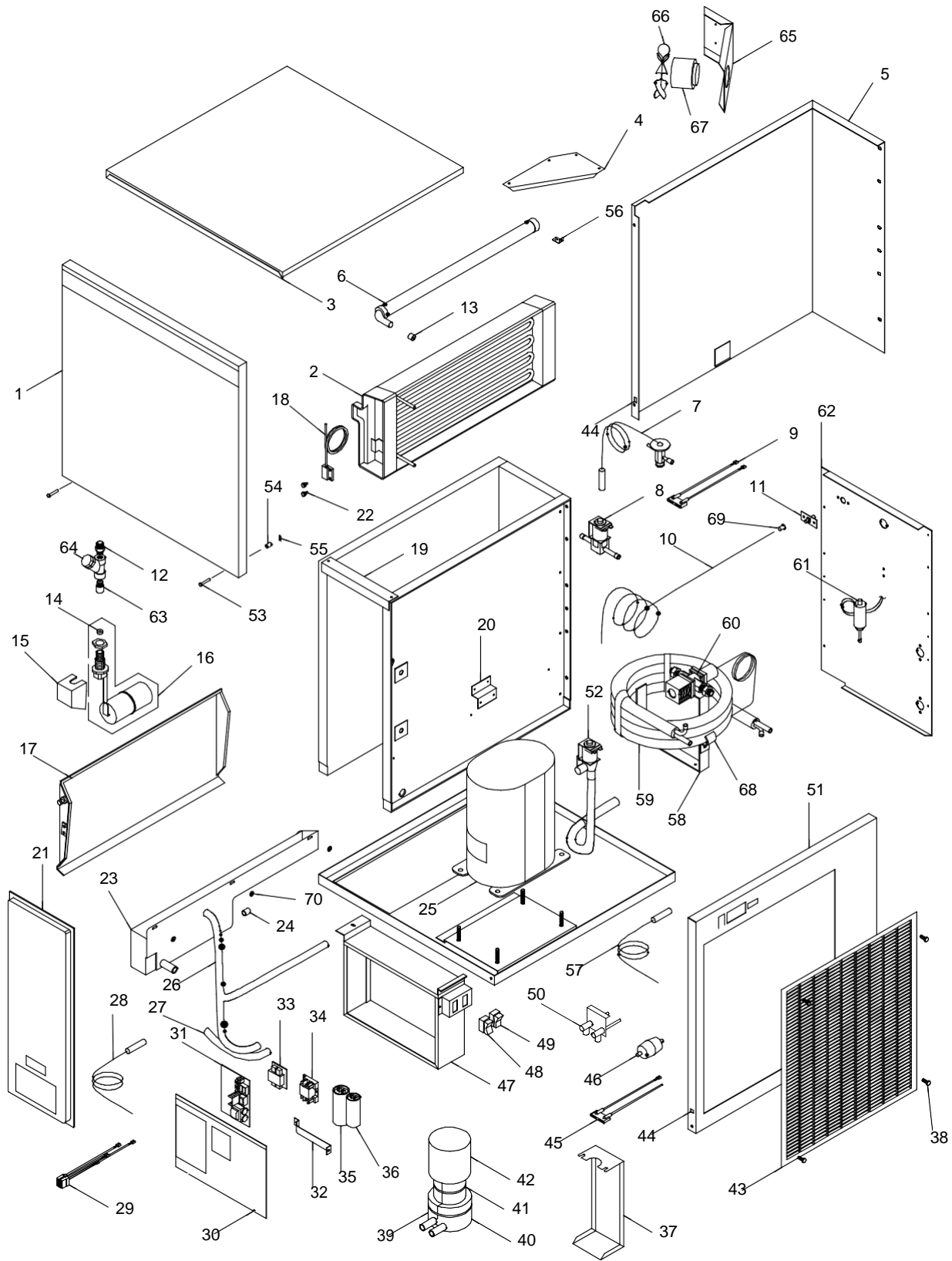


	Description	IACS224	IWCS224
1	NUT SPED 1/4 – 20 ST	00258	00258
2	CUSHION CUBER/FLAKER	08822	08822
3	BOARD CIC MICRO CTL PRODUCTS	630900912	630900912
4	SPACER CIRC	630460105	630460105
5	POWER CORD ASY	161085001	161085001
6	SWT ROCKER SPDT ON/OFF/ON	161297004	161297004
7	SWT ROCKER SPDT DMP	161297006	161297006
8	TERMINAL BLOCK	161838002	161838002
9	CMP CPL JS25C1E–IAA–250 60HZ	631500100	631500100
10	VALVE STEM ASY	162978003	162978003
11	POWER RELAY 120V 50/60HZ	164884002	164884002
12	HOT GAS VALVE	165629005	165629005
13	DUMP VALVE	165637008	165637008
13A	COIL – DUMP VALVE	165637016	165637016
13B	DIAGRAM KIT – DUMP VALVE	165637018	165637018
14	FLOAT & VALVE ASY CUBER	165681001	165681001
15	DRIER	166184001	166184001
16	FLOW WASHER	168089001	168089001
17	BR SLEEVE .163OD X .50LG	168121001	168121001
18	FLOAT VALVE BRACKET	630000428	630000428
19	MOTOR FAN	630000772	630000493
20	MNT BRKT W/A	630000432	630000432
21	DRAIN FITTING ASSEMBLY	630000434	630000434
22	MANIFOLD ASM	630000436	630000436
23	ORIFICE NY	630000441	630000441
24	EVAPORATOR ASM IACS224	630000442	630000442
25	WRAP ELECTRICAL BOX	630000582	630000582
26	MTG BRKT EVAPORATOR 224	630201294	630201294
27	TOP BRACKET BIN THERMOSTAT 224	630200448	630200448
28	TOP BIN	630000509	630000509
29	TUBE–BIN THERMOSTAT	630200472	630200472
30	BACK PANEL–BOTTOM	630200543	630200543
31	BACK PANEL–TOP	630200544	630200544
32	COVER ELECTRICAL BOX	630200672	630200672
33	MOUNTING BRKT	630200945	630200705
34	GRILL	630201014	630201014
35	CAP WATER PAN	630901174	630901174
36	BIN THERMOSTAT	630901203	630901203
37	BIN ROTOMOLDED 200 SERIES CUBER	630900648	630900648
38	DOOR ROTOMOLD BIN	630900409	630900409
39	TUBE VNL MLD	630900651	630900651
40	TUBE VLN	630900652	630900652
41	COND COIL AIR 16.00 X 7.00	630900421	
42	WATER PUMP	630900426	630900426
43	PLASTISOL TUBE	630900653	630900653
44	FAN BLADE IACS 224	630900820	165595005
45	WATER PAN	630900654	630900654
46	CLAMP CABL	630900450	630900450
47	LEG SET 6 IN	630900581	630900581
48	VALVE EXPANSION	630900851	630900851
49	COVER EVAP IACS/IWCS224	630901102	630901102
50	SENSOR – TEMPERATURE (CONDENSER)	161862005	161862005
51	WATER PAN SCREW	630200659	630200659
52	WIRE HARNESS – ELECTRICAL BOX	630300245	630300245
53	WIRE HARNESS – DUMP/HOT GAS/WATER PUMP	630300246	630300246
54	WIRE HARNESS – PROXIMITY SWITCH	630300252	630300252
55	WIRE HARNESS – BIN THERMOSTAT	630300253	630300253
56	SENSOR – SUCTION LINE	630900414	630900414
57	WIRE HARNESS – BIN THERMOSTAT	630900455	630900455
58	PROXIMITY SWITCH ASM	630900469	630900469
59	STRAINER – WATER	630900579	630900579
60	OVERLOAD – TECUMSEH	630900876	630900876
61	START RELAY – TECUMSEH	630900878	630900878
62	START CAPACITOR – TECUMSEH	630900951	630900951
63	HARVEST BAR KIT	631500090	631500090
64	TUBING WATER LINE	164976002 (52")	164976002 (52")
65	COND–COIL WATER COOL		638036383
66	VALVE WTR REG HP62		164980002
67	BRKT SERVICE VAL REG		630200527



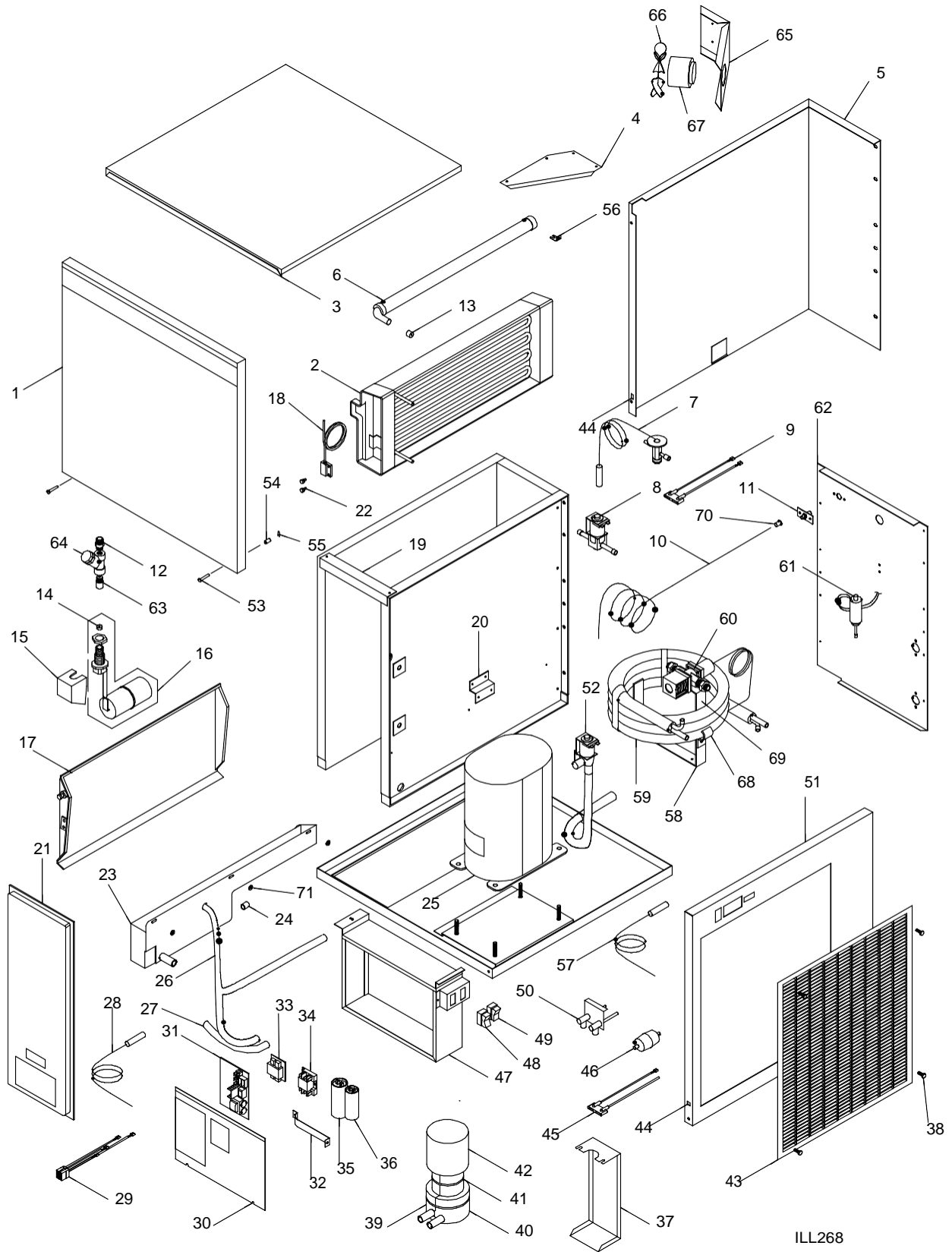
ill292

	Description	IAC 1030	IAC1230	IAC1448
1	COVER, TOP	164874004	164874004	164874005
2	MANIFOLD ASSEMBLY LH	161456067	161456067	161456067
3	MANIFOLD ASSEMBLY RH	161456066	161456066	161456066
4	CLIP, MANIFOLD WATER	164123001	164123001	164123001
5	TUBE, VINYL MOLDED MFD	165636005	165636005	165636005
6	CLAMP, HOSE	42966	42966	42966
7	BRACE, CABINET	164921005	164921005	164921005
8	WRAP, CABINET	165627013	165627013	165627015
9	PANEL, ACCESS	165627009	165627009	165627011
10	EVAPORATOR ASSEMBLY LH	164847007	164847007	164847021
11	EVAPORATOR ASSEMBLY RH	164847006	164847006	164847020
12	PANEL, FRONT	164873010	164873010	164873012
13	SCREW, MA1032	161168004	161168004	161168004
14	SPACER NYLON	164854002	164854002	164854002
16	SHIELD, SPLASH	161329002	161329002	161329002
17	WASHER, FLOW .6 GPM	168089001	168089001	168089001
18	FLOAT VALVE ASSEMBLY	165681001	165681001	165681001
19	COVER, EVAPORATOR ASSEMBLY LH	166050012	166050012	166050013
20	COVER, EVAPORATOR ASSEMBLY RH	166050010	166050010	166050011
21	SWITCH PROXIMITY ASSEMBLY LH	42693	42693	42693
22	SWITCH PROXIMITY ASSEMBLY RH	161473204	161473204	161473204
23	SCREW			
24	WATER PAN LH	164829010	164829010	164829010
25	WATER PAN RH	631500008	631500008	631500008
26	CLAMP, HOSE	40777	40777	40777
27	TUBE VINYL MOLDED	165636006	165636006	165636006
28	SCREEN DRAIN WATER PAN	162351001	162351001	162351001
29	CAP PLUG	45681	45681	45681
30	COMPRESSOR KIT (230V 60HZ) R404	161456027	161456016	161456025
	COMPRESSOR KIT (230V 50HZ) R404	161456048	161456050	
31	BRACKET DUMP VALVE	166193000	166193000	166193000
32	DUMP VALVE ASSEMBLY (230V 50/60HZ)	165637009	165637009	165637009
32.1	DUMP VALVE COIL ONLY	165637017	165637017	165637017
32.2	DUMP VALVE DIAPHRAGM KIT	165637018	165637018	165637018
33	PLUG ASSEMBLY HOT GAS	163231004	163231004	163231004
	PLUG ASSEMBLY HOT GAS 50 HZ	163231007	163231007	
34	TUBE, RESERVOIR. WATER LINE	166204003	166204003	166204003
35	VALVE HOT GAS	165629008	165629008	165629009
36	VALVE TXV LEFT & RIGHT	161921007	161921007	161921008
37	WATER INLET ASSEMBLY	164832014	164832014	164832014
38	CONNECTOR	40832	40832	40832
39	PANEL ICE SECTION	163250011	163250011	163250012
40	CONTROLLER WIRE ASSEMBLY	161929004	161929004	161929004
41	SENSOR SUCTION LINE	631500009	631500009	631500009
42	TUBE VINYL	165636010	165636010	165636010
43	TUBE VINYL	165636009	165636009	165636009
44	CIRCUIT BOARD (230V 50/60HZ)	630000263	630000263	630000263
45	COVER ELECTRIC BOX	161879007	161879007	161879020
46	CONTACTOR (230V 50/60HZ)	40713	40713	40713
47	RELAY START COMPRESSOR (230V 50/60HZ)	40285	40285	41042
	RELAY START COMPRESSOR (230V 50HZ)	40285	638090242	
48	STRAP CAP	630200166	630200166	630200166
49	CAPACITOR START (230V 50/60HZ)	40284	41044	41044
	CAPACITOR START (230V 50/60HZ)	40284	161165013	
50	CAPACITOR RUN (230V 60HZ)	27765	161192005	41043
	CAPACITOR RUN (230V 50HZ)	161192009	161192005	
51	BRACKET WATER PUMP	164820915	164820915	164820915
52	SCREW	161168006	161168006	161168006
53	PUMP WATER	39144	39144	39144
54	CABLE TIE 14 5/8"	167811000	167811000	167811000
55	INSULATION PUMP RH	161558000	161558000	161558000
56	INSULATION PUMP LH	161559000	161559000	161559000
57	ELECTRIC BOX WRAP	161877105	161877105	161877010
58	SWITCH ROCKER DPDT ON-OFF-ON	161297005	161297005	161297005
59	SWITCH ROCKER SPDT DUMP VALVE	161297006	161297006	161297006
60	PLUG ASSEMBLY DUMP VALVE	45880	45880	45880
61	DRIER FILTER	166184003	166184003	166184003
62	VALVE SERVICE (2) REQ'D.	162978003	162978003	162978003
63	SENSOR TEMPERATURE	161862005	161862005	161862005
64	NUT 10-32	164510001	164510001	164510001
65	LOUVER PANEL	166194001	166194001	166194001
66	PANEL RH SIDE ASSEMBLY	163109012	163109012	163109013
67	BRACKET FAN MOTOR	163183007	163183007	165690003
68	MOTOR FAN (230V 60HZ)	630900308	630900308	166181007
	MOTOR FAN (230V 50HZ)	166181011	166181011	
69	BLADE FAN	165595003	165595003	39898
70	CONDENSER COIL	161870005	161870005	161870006
71	SHROUD CONDENSER	161890006	161890006	161890007
72	COUPLING	166228001	166228001	166228001
73	STRAINER	162865003	162865003	162865003
74	ORIFICE	166195000	166195000	166195000
75	SLEEVE BRASS	168121001	168121001	168121001
76	WASHER PLS (3) REQ'D	168807000	168807000	168807000
77	CONDENSER. FILTER	166038003	166038003	166038004
78	BRACE, UPPER	164921025	164921025	164921004
79	CONDENSER AIR DEFLECTOR (NOT SHOWN)	166258052	166258002	



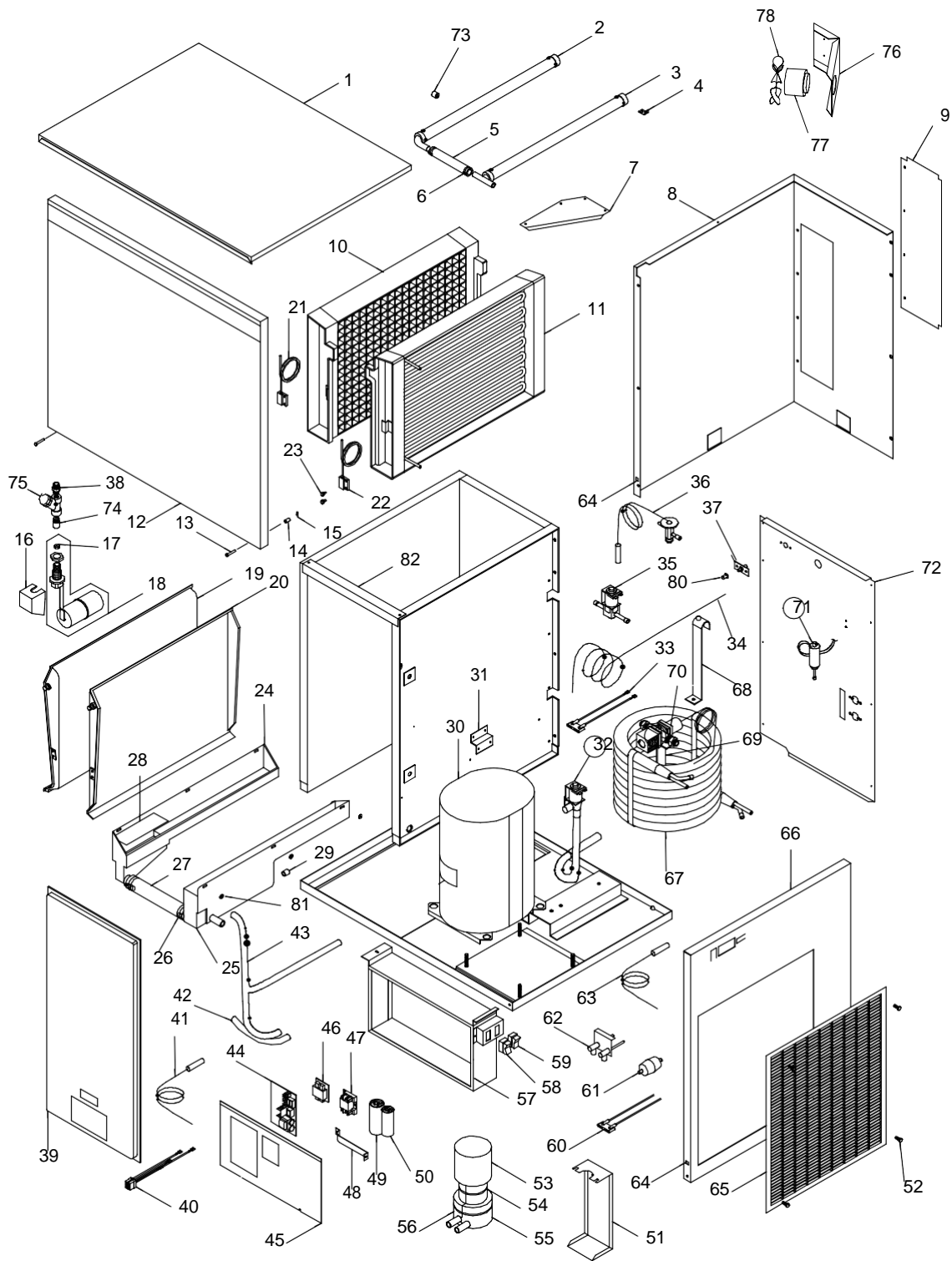
ill326

	Description	IWC322	IWC522	IWC330	IWC530
1	PANEL, FRONT SS	164873009	164873009	164873016	164873016
2	EVAPORATOR ASSEMBLY	164847004	164847005	164847004	164847005
3	COVER, TOP	164874003	164874003	164874010	164874010
4	BRACE, CABINET	164821005	164821005	164821005	164821005
5	WRAP, CABINET	165627012	165627012	165627014	165627014
6	MANIFOLD ASSEMBLY, RH	161456063	161456063	161456063	161456063
7	VALVE THERMOSTATIC EXP.	161921006	161921007	161921006	161921007
8	VALVE HOT GAS & SOLENOID (120V 60HZ)	165629005	165629006	165629005	165629006
	VALVE HOT GAS & SOLENOID (230V 50/60HZ)	165629011	165629013	165629011	165629013
9	PLUG ASSEMBLY, HOT GAS	163231004	163231004	163231004	163231004
	PLUG ASSEMBLY HOT GAS 50 HZ	163231007	163231007	163231007	163231007
10	TUBING .250 O.D. X .194 I.D. POLY	166204003	166204003	166204003	166204003
11	WATER INLET ASSEMBLY	164832014	164832014	164832014	164832014
12	CONNECTOR	40832	40832	40832	40832
13	ORIFICE (.203 I.D. X .560 O.D.)	166195000	166195000	166195000	166195000
14	WASHER, FLOW .6 GPM	168089001	168089001	168089001	168089001
15	SHIELD, SPLASH FLOAT	161329002	161329002	161329002	161329002
16	FLOAT VALVE ASSEMBLY	165681001	165681001	165681001	165681001
17	EVAPORATOR COVER ASSEMBLY	166050009	166050010	166050009	166050010
18	SWITCH, PROXIMITY ASSEMBLY	161473204	161473204	161473204	161473204
19	BRACE UPPER	164921021	164921021	164921024	164921024
20	BRACKET DUMP VALVE	166193000	166193000	166193000	166193000
21	PANEL ICE SECTION	163250009	163250009	163250009	163250009
22	SCREW MA0632 008KN NY	161821000	161821000	161821000	161821000
23	PAN, WATER PLASTIC	631500008	631500008	631500008	631500008
24	CAP PLUG. 50 I.D.	45681	45681	45681	45681
25	COMPRESSOR, COPELAND, KIT (120V 60HZ)	161456014	161456015	161456014	161456015
	COMPRESSOR, COPELAND, KIT (230V 50HZ)	161456040	161456041	161456040	161456041
	COMPRESSOR, COPELAND, KIT (230V 60HZ)	161456042	161456043	161456042	161456043
26	TUBE VINYL MOLDED	165636007	165636009	165636007	165636009
27	TUBE VINYL MOLDED PAN-PUMP	165636010	165636010	165636010	165636010
28	SENSOR KIT (SUCTION LINE)	631500009	631500009	631500009	631500009
29	CONTROLLER ASSEMBLY WIRE	161929003	161929003	161929003	161929003
30	COVER ELECTRICAL BOX	161879004	161879004	161879010	161879010
31	CIRCUIT BOARD, MICRO PROCESSOR (120/230V 50/60HZ)	630000263	630000263	630000263	630000263
32	STRAP, CAPACITOR	630200166	630200166	630200166	630200166
33	CONTACTOR (120V 60HZ)	164884002	164884002	164884002	164884002
	CONTACTOR (230V 50/60HZ)	40713	40713	40713	40713
34	RELAY, START COMPRESSOR (120V 60HZ)	161998008	161998009	161998008	161998009
	RELAY, START COMPRESSOR (230V 50/60HZ)	161998011	161998015	161998011	161998015
35	CAPACITOR, START (120V 60HZ)	161165007	161165008	161165007	161165008
	CAPACITOR, START (230V 50HZ)	161165010	25335	161165010	25335
	CAPACITOR, START (230V 60HZ)	161165011	161165012	161165011	161165012
36	CAPACITOR RUN (120V 60HZ)	N/A	161192004	N/A	161192004
37	BRACKET WATER PUMP	164820915	164820915	164820915	164820915
38	SCREW	161168006	161168006	161168006	161168006
39	INSULATION WATER PUMP	161558000	161558000	161558000	161558000
40	INSULATION WATER PUMP	161559000	161559000	161559000	161559000
41	CABLE TIE 14"-5/8"	167811000	167811000	167811000	167811000
42	PUMP WATER IN-LINE (120V 60HZ)	41011	41011	41011	41011
	PUMP WATER IN-LINE (230V 50/60HZ)	39144	39144	39144	39144
43	LOUVER PANEL	166194001	166194001	166194001	166194001
44	NUT 1032 SP ST RET	164510001	164510001	164510001	164510001
45	PLUG ASSEMBLY DUMP VALVE	45880	45880	45880	45880
46	DRIER, FILTER	166184001	166184002	166184001	166184002
47	WRAP ELECTRICAL BOX	161877104	161877104	161877107	161877107
48	SWITCH ROCKER SPTD ON-OFF-ON (120V 60HZ)	161297004	161297004	161297004	161297004
	SWITCH ROCKER SPTD ON-OFF-ON (230V 50/60HZ)	161297005	161297005	161297005	161297005
49	SWITCH ROCKER DUMP SPDT	161297006	161297006	161297006	161297006
50	VALVE SERVICE	162978003	162978003	162978003	162978003
51	PANEL SIDE RIGHT HAND	163109010	163109010	163109010	163109010
52	VALVE DUMP (120V 60HZ)	165637008	165637008	165637008	165637008
	VALVE DUMP (230V 50/60HZ)	165637009	165637009	165637009	165637009
52.1	VALVE DUMP COIL ONLY	165637016	165637016	165637016	165637016
52.2	VALVE DUMP DIAPHRAGM KIT	165637018	165637018	165637018	165637018
53	SCREW MA1032 040 TR SS PH	161168004	161168004	161168004	161168004
54	SPACER NYLON	164854002	164854002	164854002	164854002
56	CLIP, MANIFOLD WATER	164123001	164123001	164123001	164123001
57	RESISTOR,CIRCUIT BOARD	164984008	164984008	164984008	164984008
58	BRACKET-WATER COIL	164820005	164820005	164820005	164820005
59	CONDENSER ASSEMBLY, WATER COOLED (120V 60HZ)	41773	39895	41773	39895
	CONDENSER ASSEMBLY, WATER COOLED (230V 50/60HZ)	01210	22499	01210	22499
60	VALVE WATER REG.	164980002	164980002	164980002	164980002
61	CONTROL HIGH PRESSURE (120V 60HZ)	165677008	165677008	165677008	165677008
	CONTROL HIGH PRESSURE (230V 50/60HZ)	161773002	161773002	161773002	161773002
62	PANEL-REAR	161916021	161916021	161916021	161916021
63	COUPLING	166228001	166228001	166228001	166228001
64	STRAINER	162865003	162865003	162865003	162865003
65	BRACKET CONDENSATE FAN	161915002	161915002	161915002	161915002
66	FAN BLADE (CONDENSATE)	165595005	165595005	165595005	165595005
67	MOTOR, FAN CONDENSATE (120V 60HZ)	166152001	166152001	166152001	166152001
	MOTOR, FAN CONDENSATE (230V 50/60HZ)	166152002	166152002	166152002	166152002
68	CLAMP WATER COIL	35987	35987	35987	35987
69	SLEEVE BRASS	168121001	168121001	168121001	168121001
70	WASHER PLS (3) REQ'D	168807000	168807000	168807000	168807000



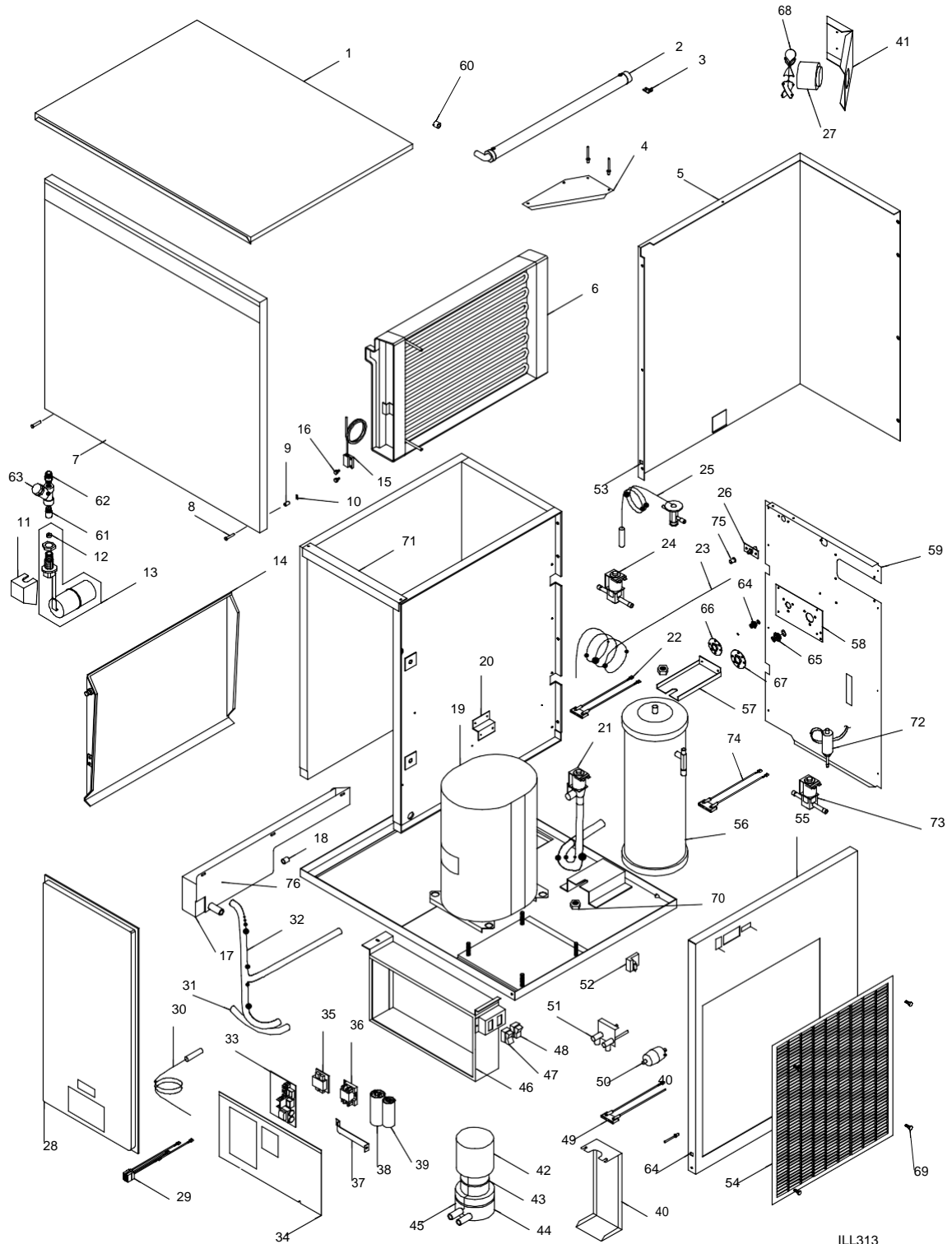
ILL268

	Description	IWC630	IWC830
1	PANEL, FRONT	164873011	164873011
2	EVAPORATOR , ASY	164847019	164847019
3	COVER , TOP	164874004	164874004
4	BRACE , CABINET	161915005	164921005
5	WRAP , CABINET	165627014	165627014
6	MANIFOLD , ASY	161456063	161456063
7	VALVE , TXV	161921008	161921008
8	VALVE, HOT GAS ASY	165629007	165629007
9	PLUG, HOT GAS	163231004	163231004
	PLUG, ASSY, HOT GAS 50HZ.	163231007	163231007
10	TUBING, .250 O.D.	166204003	166204003
11	WATER, INLET ASY.	164832014	164832014
12	CONNECTOR, #10	40832	40832
13	ORIFICE	166195000	166195000
14	WASHER, FLOW	165681001	165681001
15	SHIELD ,SPLASH FLOAT	161329002	161329002
16	FLOAT VALVE, ASY	165681001	165681001
17	EVAPORATOR, COVER	166050011	166050011
18	SWITCH, PROXIMITY	161473204	161473204
19	BRACE, UPPER	164921022	164921022
20	BRACKET DUMP VALVE	166193000	166193000
21	PANEL, ICE SECTION	163250010	163250010
22	SCREW 6-32	161821000	161821000
23	PAN, WATER	631500008	631500008
24	CAP , PLUG	45681	45681
25	COMPRESSOR , KIT (230V 60HZ)	630000399	161456022
	COMPRESSOR , KIT (230V 50HZ)	630000397	161456046
26	TUBE, VINYL	165636010	165636010
27	TUBE, VINYL	165636009	165636009
28	SENSOR, SUCTION LINE	631500009	631500009
29	CONTROLLER WIRE ASY	161929004	161929004
30	COVER, ELECT. BOX	161879007	161879007
31	CIRCUIT BOARD (230V 50/60HZ)	630000263	630000263
32	STRAP , CAPACITOR	630200166	630200166
33	CONTACTOR	40713	40713
34	RELAY, START (230V 60HZ)	161998009	40285
	RELAY, START (230V 50HZ)	161998003	161998009
35	CAPACITOR, START (230V 60HZ)	161165015	40284
	CAPACITOR, START (230V 50HZ)	630900281	40284
36	CAPACITOR, RUN (230V 60HZ)	630900282	27765
	CAPACITOR, RUN (230V 50HZ)	630900282	27765
37	BRACKET, PUMP	164820915	164820915
38	SCREW	161168006	161168006
39	INSULATION, PUMP	161558000	161558000
40	INSULATION, PUMP	161559000	161559000
41	CABLE TIE	167811000	167811000
42	WATER PUMP	39144	39144
43	LOUVER, PANEL	166194001	166194001
44	NUT, 10-32	164510001	164510001
45	PLUG ASY, DUMP VALVE	45880	45880
46	DRIER FILTER	166184002	166184002
47	WRAP, ELECT. BOX	161877106	161877106
48	SWITCH, ON / OFF	161297005	161297005
49	SWITCH, DUMP VALVE	161297006	161297006
50	VALVE, SERVICE (2) REQ.	162978003	162978003
51	PANEL, RH SIDE	163109106	163109011
52	VALVE ASY, DUMP	165637009	165637009
52.1	COIL, DUMP VALVE	165637017	165637017
52.2	DIAPHRAGM KIT, DUMP VALVE	165637018	165637018
53	SCREW 10-32	161168004	161168004
54	SPACER, NYLON	164854002	164854002
55			
56	CLIP, MANIFOLD	164123001	164123001
57	RESISTOR, CIRCUIT BOARD	164984008	164984008
58	BRACKET, CONDENSER COIL	164820007	164820007
59	CONDENSER, ASY, WATER COOLED	08823	08823
60	VALVE, WATER REG.	164980002	164980002
61	CONTROL, HIGH PRESSURE (230V 50HZ)	161773002	161773002
	CONTROL, HIGH PRESSURE (230V 60HZ)	165677003	165677003
62	PANEL, REAR	161916010	161916010
63	COUPLING	166228001	166228001
64	STRAINER	162865003	162865003
65	BRACKET, CONDENSATE FAN	161915002	161915002
66	BLADE FAN, CONDENSATE	165595005	165595005
67	MOTOR, FAN ASSY (230V 60HZ)	166152004	166152004
	MOTOR, FAN ASSY (230V 50HZ)	166181012	166181012
68	CLAMP, CONDENSER	166196001	166196001
69	BRACKET, WATER REG. VALVE	164823009	164823009
70	SLEEVE BRASS	168121001	168121001
71	WASHER PLS (3) REQ'D	168807000	168807000
72	SOUND BLANKET, COMPRESSOR (not shown)	166266001	



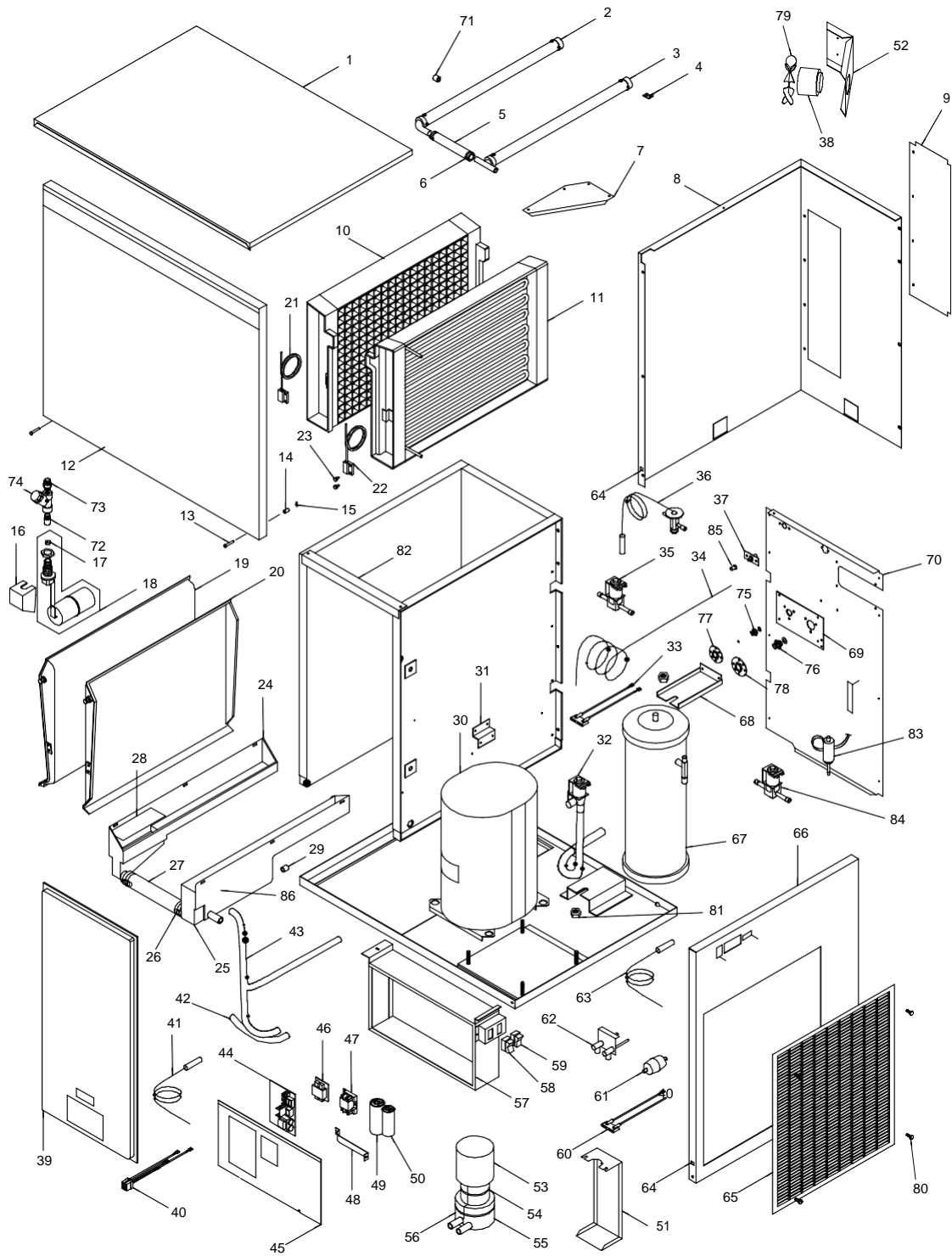
ILL293

	Description	IWC1030	IWC1230	IWC1448
1	COVER, TOP	164874004	164874004	164874005
2	MANIFOLD ASY LH	161456067	161456067	161456067
3	MANIFOLD ASY RH	161456066	161456066	161456066
4	CLIP, MANIFOLD WATER	164123001	164123001	164123001
5	TUBE VINYL MOLDED	165636005	165636005	165636005
6	CLAMP, HOSE	42966	42966	42966
7	BRACE, CABINET	164921005	164921005	164921005
8	WRAP, CABINET	165627013	165627013	165627015
9	PANEL, ACCESS	165627009	165627009	165627011
10	EVAPORATOR ASY LH	164847007	164847007	164847021
	LARGE CUBE EVAPORATOR KIT LH	631500027	631500027	631500027
11	EVAPORATOR ASY RH	164847006	164847006	164847020
	LARGE CUBE EVAPORATOR KIT RH	631500026	631500026	631500026
12	PANEL, FRONT	164873010	164873010	164873012
13	SCREW 10-32	161168004	161168004	161168004
14	SPACER, NYLON	164854002	164854002	164854002
15	CLIP, RETAINER	162972001	162972001	162972001
16	SHIELD, SPLASH	161329002	161329002	161329002
17	WASHER, FLOW .6 GPM	168089001	168089001	168089001
18	FLOAT VALVE ASY	165681001	165681001	165681001
19	COVER, EVAPORATOR ASY LH	166050012	166050012	166050013
20	COVER, EVAPORATOR ASY RH	166050010	166050010	166050011
21	SWITCH PROXIMITY ASY LH	42693	42693	42693
22	SWITCH PROXIMITY ASY RH	161473204	161473204	161473204
23	SCREW 6-32	161821000	161821000	161821000
24	WATER PAN LH	164829010	164829010	164829010
25	WATER PAN RH	631500008	631500008	631500008
26	CLAMP HOSE	40777	40777	40777
27	TUBE VNL MOLDED	165636006	165636006	165636006
28	SCREEN DRN WTR PAN	162351001	162351001	162351001
29	CAP PLG	45681	45681	45681
30	COMPRESSOR KIT (230V 60HZ)	161456027	161456016	161456026
	COMPRESSOR KIT (230V 50HZ)	161456048	161456050	
31	BRACKET DMP VLV	166193000	166193000	166193000
32	DUMP VALVE	165637009	165637009	165637009
32.1	DUMP VALVE COIL ONLY	165637017	165637017	165637017
32.2	DUMP VALVE DIAPHRAGM KIT	165637018	165637018	165637018
33	PLUG ASY HOT GAS	163231004	163231004	163231004
	PLUG ASY HOT GAS, 50 HZ	163231007	163231007	163231007
34	TUBE, WATER LINE	166204003	166204003	166204003
35	VALVE HOT GAS	165629008	165629008	165629009
36	VALVE, TXV LEFT & RIGHT	161921007	161921007	161921008
37	WATER INLET ASY	164832014	164832014	164832014
38	CONNECTOR	40832	40832	40832
39	PANEL ICE SECTION	163250011	163250011	163250012
40	CONTROLLER WIRE ASY	161929004	161929004	161929004
41	SENSOR SUC LINE	631500009	631500009	631500009
42	TUBE VINYL	165636010	165636010	165636010
43	TUBE VINYL	165636009	165636009	165636009
44	CIRCUIT BRD (230V 50/60HZ)	630000263	630000263	630000263
45	COVER ELEC BOX	161879007	161879007	161879020
46	CONTACTOR	40713	40713	40713
47	RELAY STR COMP (230V 60HZ)	40285	40285	41042
	RELAY STR COMP (230V 50HZ)	40285	638090242	
48	STRAP CAP	630200166	630200166	630200166
49	CAPACITOR START (230V 60HZ)	40284	41044	41044
	CAPACITOR START (230V 50HZ)	40284	161165013	
50	CAPACITOR RUN (230V 60HZ)	27765	161192005	41043
	CAPACITOR RUN (230V 50HZ)	161192009	161192005	
51	BRACKET WTR PMP	164820915	164820915	164820915
52	SCREW	161168006	161168006	161168006
53	PUMP WTR	39144	39144	39144
54	CABLE TIE 14 5/8"	167811000	167811000	167811000
55	INSULATION PUMP RH	161558000	161558000	161558000
56	INSULATION PUMP LH	161559000	161559000	161559000
57	ELEC BOX WRAP	161877105	161877105	161877010
58	SWITCH RKR DPDT ON-OFF-ON	161297005	161297005	161297005
59	SWITCH RKR SPDT DMP VLV	161297006	161297006	161297006
60	PLUG ASY DMP VLV	45880	45880	45880
61	DRIER FILTER	166184003	166184003	166184003
62	VALVE SERVICE (2) REQ'D	162978003	162978003	162978003
63	RESISTOR,CIRCUIT BOARD	164984008	164984008	164984008
64	NUT1032	164510001	164510001	164510001
65	LOUVER PANEL	166194001	166194001	166194001
66	PANEL RH SIDE	163109012	163109012	163109013
67	CONDENSER, WATER COOLED	27177	27177	164838004
68	CLAMP WTR COIL	166196001	166196001	166196002
69	BRACKET WTR REG.	164823009	164823009	164823009
70	VALVE WTR REG.	164980002	164980002	164980002
71	CONTROL HIGH PRESSURE (230V 60HZ)	165677003	165677003	165677003
	CONTROL HIGH PRESSURE (230V 50HZ)	161773002	161773002	
72	PANEL BCK	161916109	161916109	161916111
73	ORIFICE	166195000	166195000	166195000
74	COUPLING	166228001	166228001	166228001
75	STRAINER	16865003	162865003	162865003
76	BRACKET CONDENSATE FAN	161915002	161915002	161915002
77	MOTOR, CONDENSATE (230V 50/60HZ)	166152004	166152004	166152004
78	FAN BLADE CONDENSATE	165595005	165595005	165595005
79	CONDENSER MOUNTING BKT			
80	SLEEVE BRASS	168121001	168121001	168121001
81	WASHER PLS (3) REQ'D	168807000	168807000	168807000
82	BRACE, UPPER	164921025	164921025	164921004



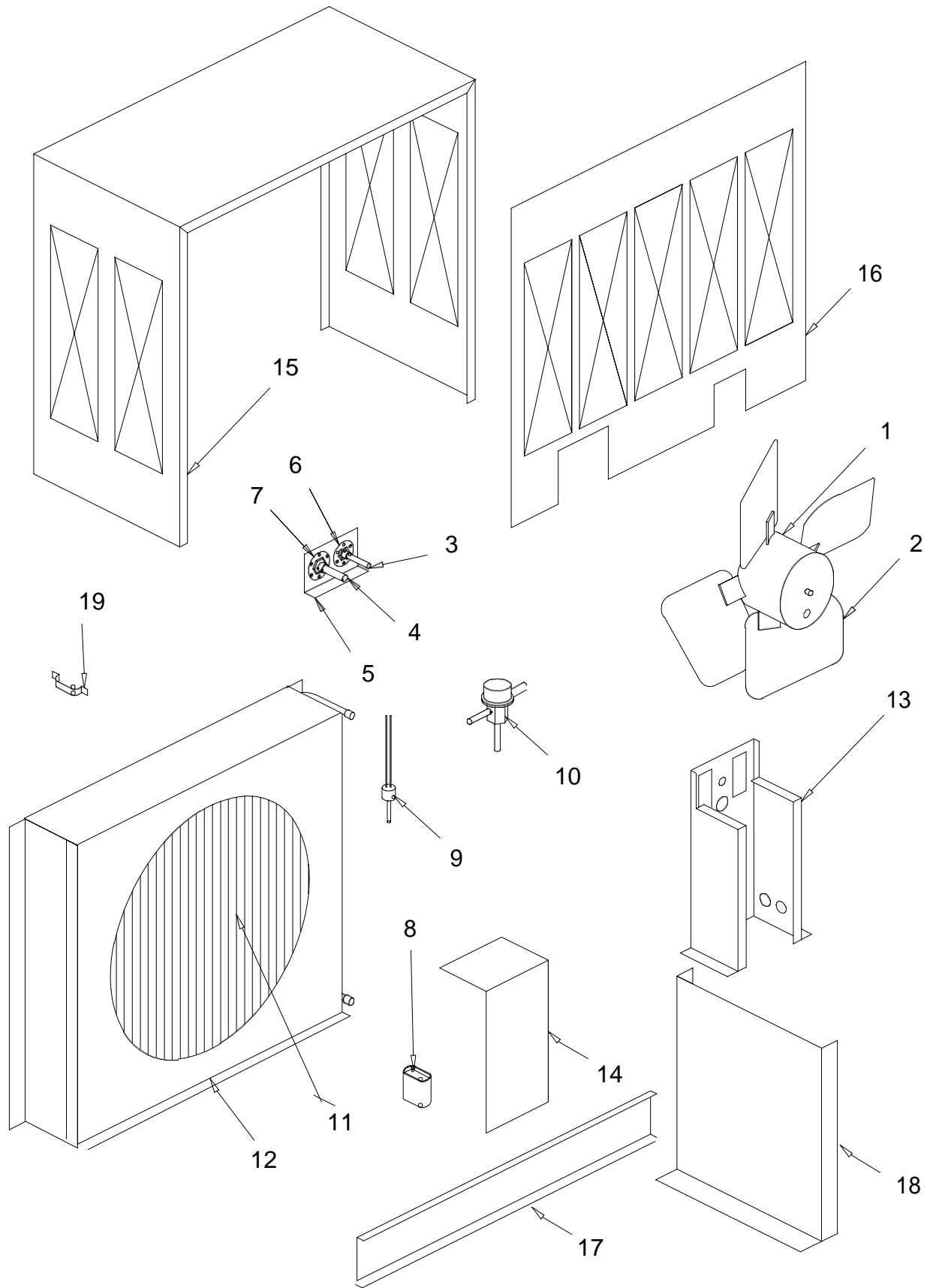
ILL313

	Description	IRC630	IRC830
1	COVER, TOP	164874004	164874004
2	MANIFOLD ASY	161456063	161456063
3	CLIP, MANIFOLD WATER	164123001	164123001
4	BRACE, CABINET	164921005	164921005
5	WRAP, CABINET	165627017	165627017
6	EVAPORATOR ASY	164847019	164847019
7	PANEL, FRONT	164873011	164873011
8	SCREW, 10-32 040TRSSPH	161168004	161168004
9	SPACER, NYLON 5/16 DIA X 3/4	164854002	164854002
11	SHIELD, SPLASH	161329002	161329002
12	WASHER, FLOW .6 GPM	168089001	168089001
13	FLOAT VALVE ASY	165681001	165681001
14	COVER, EVAPORATOR ASY	166050011	166050011
15	SWITCH PROXIMITY ASY	161473204	161473204
16	SCREW	161821000	161821000
17	WATER PAN	631500008	631500008
18	CAP PLUG	45681	45681
19	COMPRESSOR KIT (230V 60HZ)	630000398	161456023
	COMPRESSOR KIT (230V 50HZ)	161456045	161456047
20	BRACKET DUMP VALVE	166193000	166193000
21	DUMP VALVE	165637009	165637009
21.1	DUMP VALVE COIL ONLY	165637017	165637017
21.2	DUMP VALVE DIAPHRAGM KIT	165637018	165637018
22	PLUG ASY HOT GAS	163231004	163231004
	PLUG ASY HOT GAS, 50 HZ	163231007	163231007
23	TUBE WATER LINE	166204003	166204003
24	VALVE HOT GAS	165629007	165629007
25	VALVE THERMOSTATIC EXP.	161921008	161921008
26	WATER INLET ASY	165589009	165589009
27	MOTOR, FAN CONDENSATE (230V 50/60HZ)	166152004	166152004
28	PANEL ICE SECTION	163250010	163250010
29	CONTROLLER WIRE ASY	161929004	161929004
30	SENSOR SUCTION LINE	631500009	631500009
31	TUBE VINYL PAN PUMP	165636010	165636010
32	TUBE VINYL PUMP MNF	165636009	165636009
33	CIRCUIT BOARD (230V 50/60HZ)	630000263	630000263
34	COVER ELECTRICAL BOX	161879007	161879007
35	CONTACTOR	40713	40713
36	RELAY STR COMP (230V 60HZ)	161998009	40285
	RELAY STR COMP (230V 50HZ)	161998014	161998009
37	STRAP CAP	630200166	630200166
38	CAPACITOR START (230V 60HZ)	161165015	40284
	CAPACITOR START (230V 50HZ)	161165014	40284
39	CAPACITOR RUN (230V 60HZ)	630900282	27765
	CAPACITOR RUN (223V 50HZ)	161192010	27765
40	BRACKET WATER PUMP	164820915	164820915
41	BRACKET CONDENSATE FAN	161915002	161915002
42	PUMP WATER	39144	39144
43	CABLE TIE 14 5/8"	167811000	167811000
44	INSULATION PUMP RH	161558000	161558000
45	INSULATION PUMP LH	161559000	161559000
46	ELECTRICAL BOX WRAP	161877106	161877106
47	SWITCH ROCKER DPDT ON-OFF-ON	161297005	161297005
48	SWITCH ROCKER SPDT DUMP VALVE	161297006	161297006
49	PLUG ASY DUMP VALVE	45880	45880
50	DRIER FILTER	166184002	166184002
51	VALVE SERVICE (2) REQ'D.	162978003	162978003
52	RESISTOR	164984008	164984008
53	NUT 1032 SPST RET	164510001	164510001
54	LOUVER PANEL	166194001	166194001
55	PANEL RH SIDE ASY	163109106	163109011
56	RECEIVER	166225000	166225000
57	BRACKET UPPER RECEIVER	164820913	164820913
58	BRACKET AEROQUIP VALVE	164823103	164823103
59	PANEL REAR	161916113	161916113
60	ORIFICE	166195000	166195000
61	COUPLING	166228001	166228001
62	CONNECTOR	40832	40832
63	STRAINER	162865003	162865003
64	VALVE AEROQUIP 3/8"	166229000	166229000
65	VALVE AEROQUIP 1/2"	630900082	630900082
66	FLANGE F/ 3/8" VALVE	166229002	166229002
67	FLANGE F/ 1/2" VALVE	166229003	166229003
68	FAN BLADE CONDENSATE	165595005	165595005
69	SCREW	161168006	161168006
70	NUT RECEIVER	40860	40860
71	BRACE UPPER	164921022	164921022
72	VALVE HIGH PRESSURE (230V 60HZ)	165677003	165677003
	VALVE HIGH PRESSURE (230V 50HZ)	161773002	161773002
73	VALVE LIQUID LINE	165629010	165629010
74	PLUG HOT GAS	163231005	163231005
75	SLEEVE BRASS	168121001	168121001
76	WASHER PLS (3) REQ'D	168807000	168807000
77	SOUND BLANKET, COMPRESSOR (not shown)	166266001	

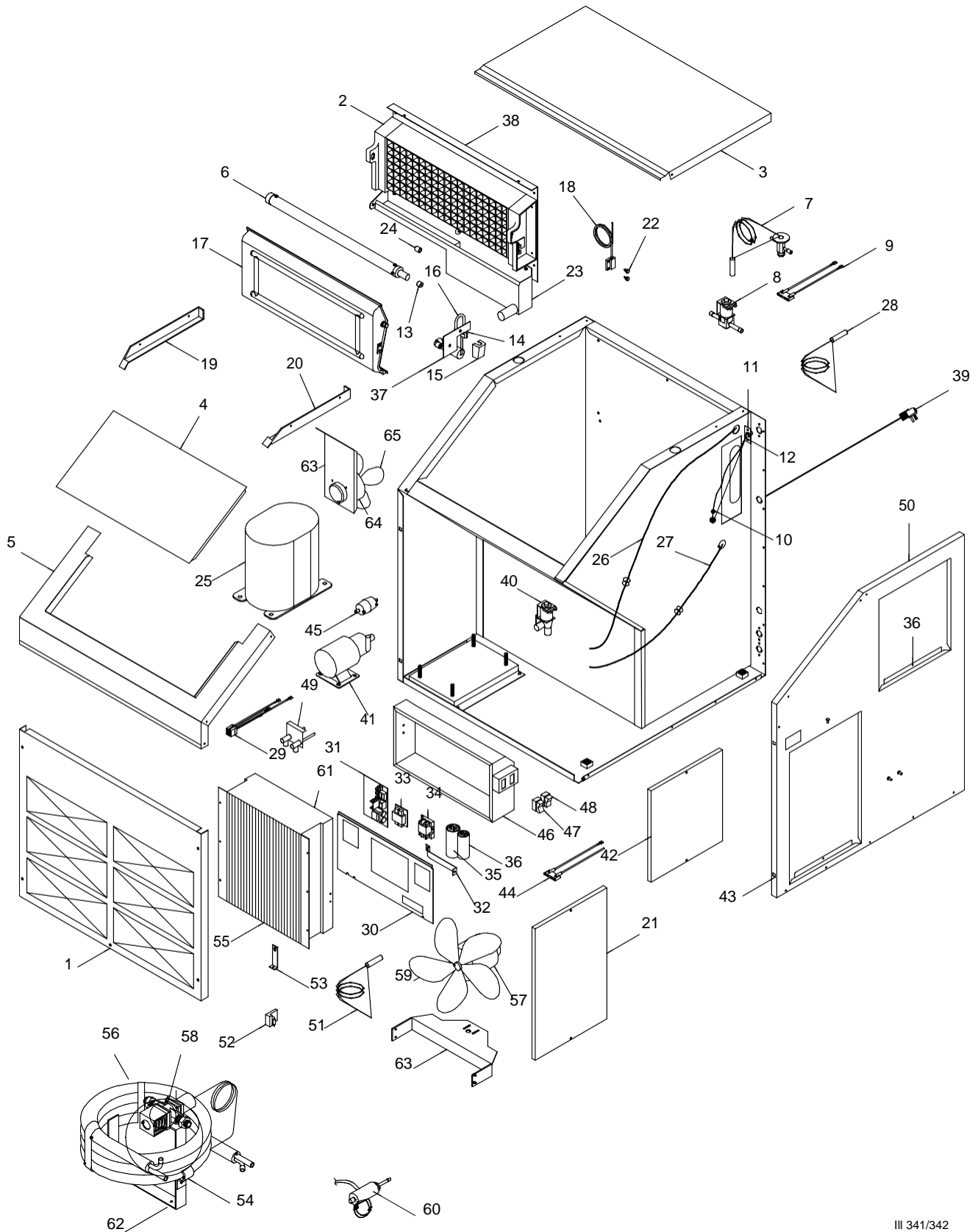


ILL299

	Description	IRC1030	IRC1230	IRC1448
1	COVER, TOP	164874004	164874004	164874005
2	MANIFOLD ASSEMBLY LH	161456067	161456067	161456067
3	MANIFOLD ASSEMBLY RH	161456066	161456066	161456066
4	CLIP, MANIFOLD WATER	164123001	164123001	164123001
5	TUBE, VINYL MOLDED	165636005	165636005	165636005
6	CLAMP, HOSE	42966	42966	42966
7	BRACE, CABINET	161915005	164921005	164921005
8	WRAP, CABINET	165627013	165627013	165627015
9	PANEL, ACCESS	165627009	165627009	165627011
10	EVAPORATOR ASSEMBLY LH	164847007	164847007	164847021
11	EVAPORATOR ASSEMBLY RH	164847006	164847006	164847020
12	PANEL, FRONT	164873010	164873010	164873012
13	SCREW 10-32	161168004	161168004	161168004
14	SPACER, NYLON	164854002	164854002	164854002
16	SHIELD, SPLASH	16139002	161329002	161329002
17	WASHER, FLOW .6 GPM	168089001	168089001	168089001
18	FLOAT VALVE ASSEMBLY	165681001	165681001	165681001
19	COVER, EVAPORATOR ASSEMBLY LH	166050012	166050012	166050013
20	COVER, EVAPORATOR ASSEMBLY RH	166050010	166050010	166050011
21	SWITCH PROXIMITY ASSEMBLY LH	42693	42693	42693
22	SWITCH PROXIMITY ASSEMBLY RH	161473204	161473204	161473204
23	SCREW 6-32	161821000	161821000	161821000
24	WATER PAN LH	164829010	164829010	164829010
25	WATER PAN RH	631500008	631500008	631500008
26	CLAMP HOSE	40777	40777	40777
27	TUBE VINYL MOLDED	165636006	165636006	165636006
28	SCREEN DRAIN WATER PAN	162351001	162351001	162351001
29	CAP PLUG	45681	45681	45681
30	COMPRESSOR KIT (230V 60HZ)	161456028	161456024	161456025
	COMPRESSOR KIT (230V 50HZ)	161456049	161456051	
31	BRACKET DUMP VALVE	166193000	166193000	166193000
32	DUMP VALVE	165637009	165637009	165637009
32.1	DUMP VALVE COIL ONLY	165637017	165637017	165637017
32.2	DUMP VALVE DIAPHRAGM KIT	165637018	165637018	165637018
33	PLUG ASSEMBLY HOT GAS	163231004	163231004	163231004
	PLUG ASSEMBLY HOT GAS, 50 HZ	163231007	163231007	163231007
34	TUBE, WATER LINE	166204003	166204003	166204003
35	VALVE HOT GAS	165629008	165629008	165629009
36	VALVE TXV LEFT AND RIGHT	161921007	161921007	161921008
37	WATER INLET ASSEMBLY	164832014	164832014	164832014
38	MOTOR, FAN CONDENSATE (230V 50/60HZ)	166152004	166152004	166152004
39	PANEL ICE SECTION	163250011	163250011	163250012
40	CONTROLLER WIRE ASSEMBLY	161929004	161929004	161929004
41	SENSOR SUCTION LINE	631500009	631500009	631500009
42	TUBE VINYL	165636010	165636010	165636010
43	TUBE VINYL	165636009	165636009	165636009
44	CIRCUIT BOARD (230V 50/60HZ)	630000263	630000263	630000263
45	COVER ELEC BOX	161879007	161879007	161879020
46	CONTACTOR	40713	40713	40713
47	RELAY STR COMP (230V 60HZ)	40285	40285	41042
	RELAY STR COMP (230V 50HZ)	40285	638090242	
48	STRAP CAP	630200166	630200166	630200166
49	CAPACITOR START (230V 60HZ)	40284	41044	41044
	CAPACITOR START (230V 50HZ)	40284	161165013	
50	CAPACITOR RUN (230V 60HZ)	27765	161192005	41043
	CAPACITOR RUN (230V 50HZ)	161192009	161192005	
51	BRACKET WATER PUMP	164820915	164820915	164820915
52	BRACKET CONDENSATE FAN	161915002	161915002	161915002
53	PUMP WATER	39144	39144	39144
54	CABLE TIE 14 5/8"	167811000	167811000	167811000
55	INSULATION PUMP RH	161558000	161558000	161558000
56	INSULATION PUMP LH	161559000	161559000	161559000
57	ELECTRICAL BOX WRAP	161877105	161877105	161877010
58	SWITCH ROCKER DPDT ON-OFF-ON	161297005	161297005	161297005
59	SWITCH ROCKER SPDT DMP VALVE	161297006	161297006	161297006
60	PLUG ASSEMBLY DUMP VALVE	45880	45880	45880
61	DRIER FILTER	166184003	166184003	166184003
62	VALVE SERVICE (2) REQ'D.	162978003	162978003	162978003
63	RESISTOR, CIRCUIT BOARD	164984008	164984008	164984008
64	NUT 10-32	164510001	164510001	164510001
65	LOUVER PANEL	166194001	166194001	166194001
66	PANEL RH SIDE ASSEMBLY	163109012	163109012	163109013
67	RECEIVER	166225000	166225000	166225000
68	BRACKET UPPER RECEIVER	164820913	164820913	164820913
69	BRACKET AEROQUIP VALVE	164823103	164823103	164823103
70	PANEL REAR	161916114	161916114	161916111
71	ORIFICE	166195000	166195000	166195000
72	COUPLING	166228001	166228001	166228001
73	CONNECTOR	40832	40832	40832
74	STRAINER	162865003	162865003	162865003
75	VALVE AEROQUIP 3/8"	166229000	166229000	166229000
76	VALVE AEROQUIP 1/2"	630900082	630900082	630900082
77	FLANGE F/ 3/8" VALVE	166229002	166229002	166229002
78	FLANGE F/ 1/2" VALVE	166229003	166229003	166229003
79	FAN BLADE CONDENSATE	165595005	165595005	165595005
80	SCREW	161168006	161168006	161168006
81	NUT	40860	40860	40860
82	BRACE UPPER	164921025	164921025	164921004
83	VALVE HIGH PRESSURE (230V 60HZ)	165677003	165677003	165677003
	VALVE HIGH PRESSURE (230V 50HZ)	161773002	161773002	
84	VALVE LIQUID LINE	165629011	165629011	165629011
85	SLEEVE BRASS	168121001	168121001	168121001
86	WASHER PLS (3) REQ'D	168807000	168807000	168807000

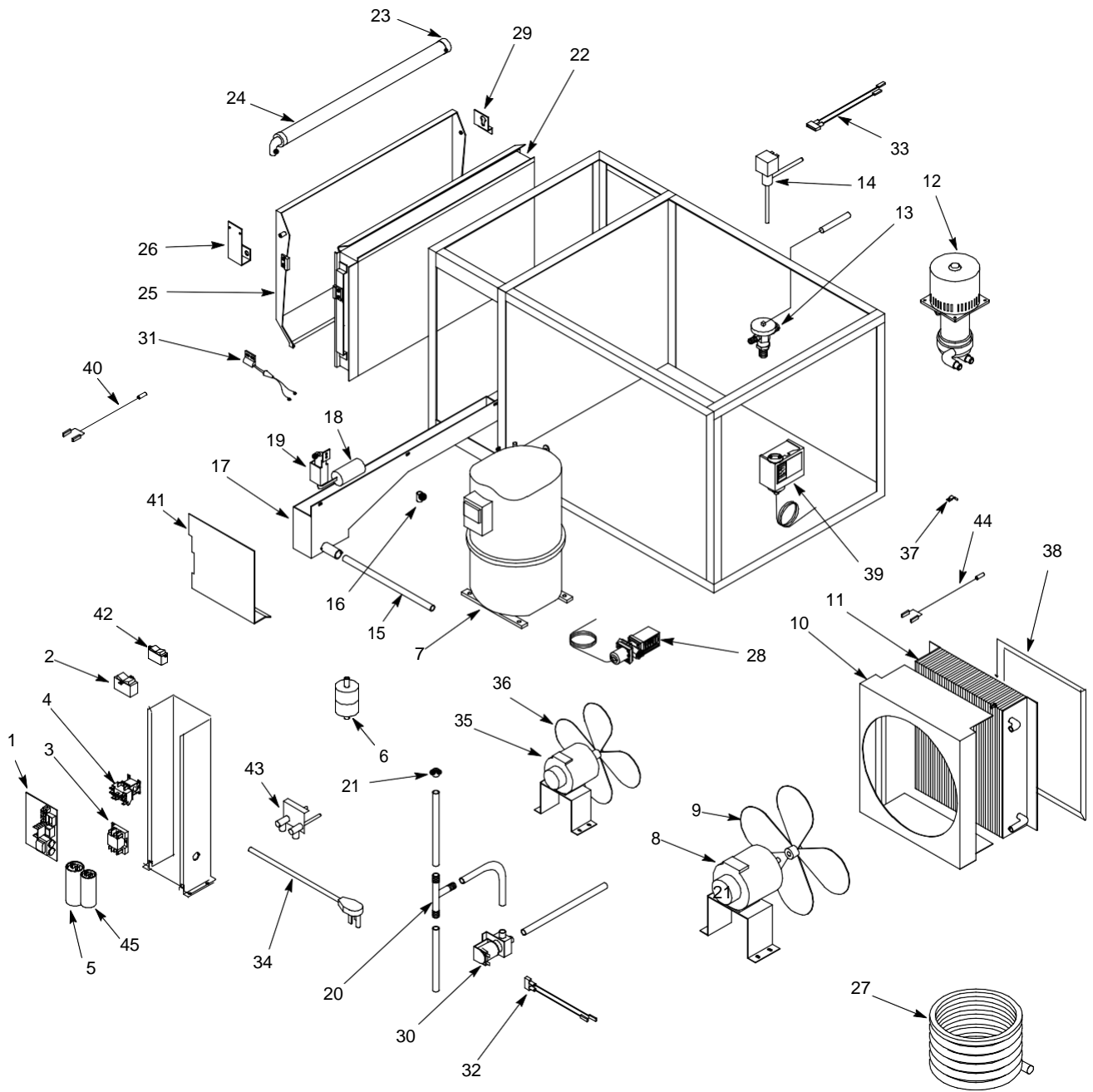


	Description	CR500	CR800	CR1200	CR1400	CR2400
1	FAN MOTOR (230V 60HZ)	630000231	630000309	630000309	630000309	161871018
	FAN MOTOR (230V 50HZ)	N/A	630000309	630000309	630000309	N/A
2	FAN BLADE	630900245	630900246	630900246	630900246	39898
3	AEROQUIP (3/8" MALE)	166229000	166229000	166229000	166229000	166229000
4	AEROQUIP (1/2" MALE)	630900082	630900082	630900082	630900082	630900082
5	BRACKET	161887001	161887001	161887001	161887001	161887001
6	FLANGE MNT. (3/8" MALE AERO-QUIP)	166229002	166229002	166229002	166229002	166229002
7	FLANGE MNT. (1/2" MALE AERO-QUIP)	630900083	630900083	630900083	630900083	630900083
8	CAPACITOR	N/A	N/A	N/A	N/A	N/A
9	SWITCH FAN CYCLING	161773003	161773003	161773003	161773003	161773003
10	VALVE HEADMASTER	166226000	166226000	166226000	166226000	166226000
11	CONDENSER	630900014	161870008	161870007	161870006	161870010
12	SHROUD CONDENSER	630200233	161890008	161890008	161890008	161890011
13	BOX ELECTRIC	630200232	161877011	161877011	161877011	161877025
14	COVER ELECTRIC BOX	630200236	161879009	161879009	161879009	161879015
15	WRAP	630200234	164517002	164517002	164517002	164817004
16	PANEL	630200230	164517003	164517003	164517003	164517005
17	BRACE (2 REQ.)	630200235	166209001	166209001	166209001	164921006
18	LEG (2 REQ.)	166209001	164921008	164921008	164921008	166209001
19	STRAP CAPACITOR	N/A	N/A	N/A	N/A	N/A



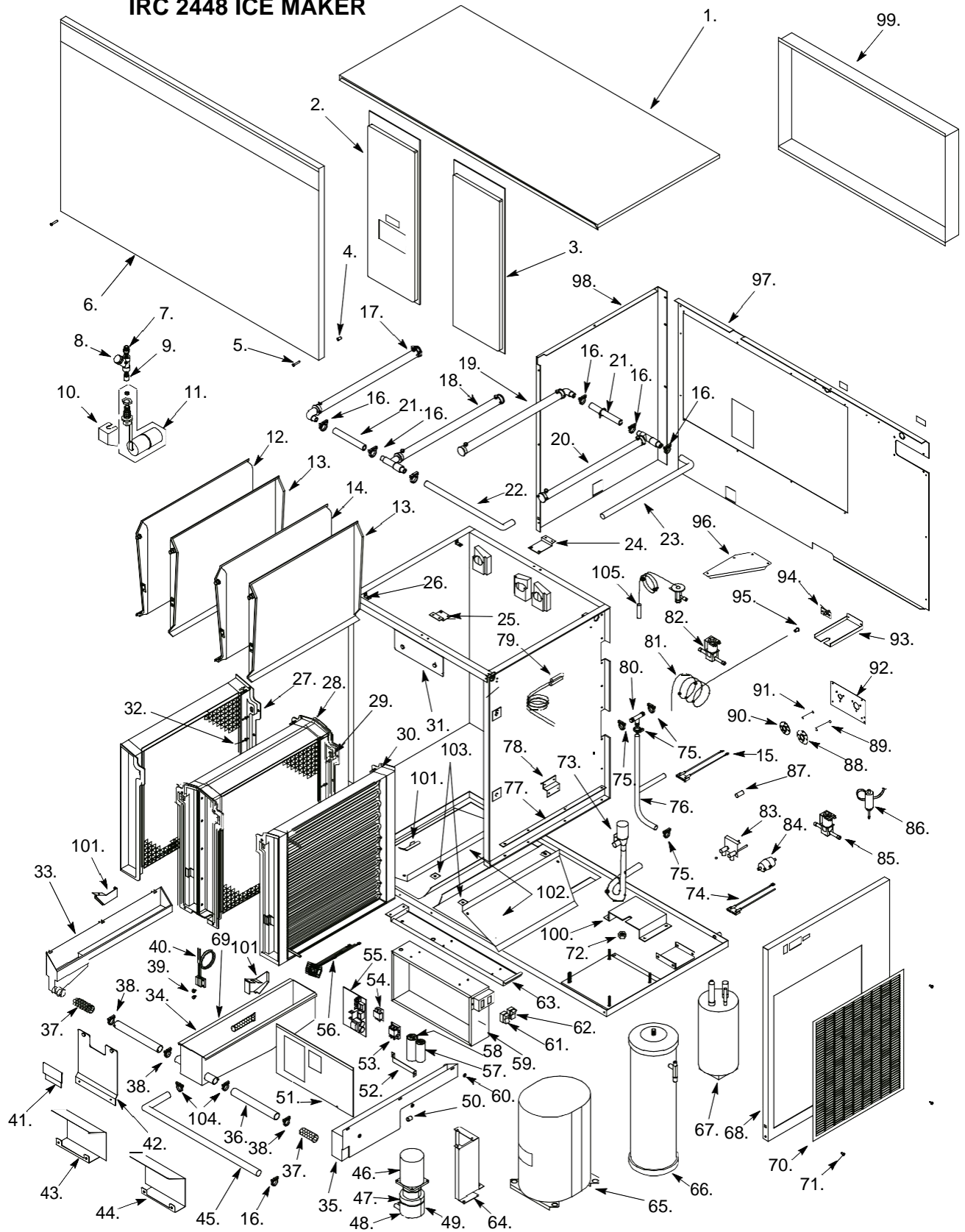
III 341/342

	Description	IACS227 115V 60HZ	IACS227E50 220V 50HZ	IACS227E60 230V 60HZ	IWCS227 115V 60HZ
1	PANEL.FRT ASY	166176020	166176020	166176020	166176020
2	EVAPORATOR ASY	164847012	164847012	164847012	164847012
3	PANEL TOP COV	163281003	163281003	163281003	163281003
4	DOOR ASY	163293003	163293003	163293003	163293003
5	WRAP W/A	162658002	162658002	162658002	162658002
6	MANIFOLD ASY	161661009	161661009	161661009	161661009
7	VALVE THERMOSTATIC EXP	161921006	161921006	161921006	161921006
8	VALVE HOT GAS & SOLENOID	165629005	165629011	165629011	165629005
9	PLUG ASY HOT GAS	163231004	163231004	163231004	163231004
	PLUG ASY HOT GAS, 50 HZ	163231007	163231007	163231007	163231007
10	TUBING .250 OD X .194 ID	166204005	166204005	166204005	166204005
11	WATER INLET ASY	165589009	165589009	165589009	165589009
12	SLEEVE BR .163 OD X .50 LG	168121001	168121001	168121001	168121001
13	ORIFICE .203 ID X .56 OD	166195000	166195000	166195000	166195000
14	FLOAT & VLV ASY	21924	21924	21924	21924
15	SHIELD SPH	161329004	161329004	161329004	161329004
16	TUB WTR LN	163128009	163128009	163128009	163128009
17	EVAPORATOR COV ASY	166050008	166050008	166050008	166050008
18	SWITCH PRX ASY 1400-MH6	42693	42693	42693	42693
19	TRACK LT DOR SLI	166259002	166259002	166259002	166259002
20	TRACK RT DOR SLI	166259001	166259001	166259001	166259001
21	PANEL ACS LWR	161544004	161544004	161544004	161544004
22	SCREW 6-32	161821000	161821000	161821000	161821000
23	PAN WTR	164829009	164829009	164829009	164829009
24	CAP PLUG .560 ID	45681	45681	45681	45681
25	COMPRESSOR, COPELAND KIT (120V 60HZ)	161456014	161456068	161456042	161456014
26	TUBE VINYL MOLDED PMP-MFD #1	165636019	165636019	165636019	165636016
27	TUBE VINYL MOLDED PMP-MFD #1	165636018	165636018	165636018	165636018
28	SENSOR TMP (SUC LN)	631500009	631500009	631500009	631500009
29	CONTROLLER WR ASY	161929003	161929010	161929010	161929003
30	COVER ELE BOX	161879014	161879014	161879014	161879014
31	MICRO PROCESSOR BOARD	630000263	161456076	630000263	630000263
32	STRAP CAP IAC	630200166	630200166	630200166	630200166
33	POWER RELAY	164884002	40713	40713	164884002
34	RELAY START COMP COPELAND	161998008	161998011	161998011	161998008
35	CAPACITOR SRT 243-292 110V	161165007	161165010	161165011	161165007
36	NUT JNUT #10 TA	24751	24751	24751	24751
37	BRACKET FLOAT VLV	166180003	166180003	166180003	166180003
38	SUPPORT EVP W/A	163280007	163280007	163280007	163280007
39	CORD POWER ASY	161085001	161085002	161085003	161085001
40	VALVE DUMP ASY	165637008	165637009	165637009	165637008
41	PUMP & TML ASY	630000252	630000430	630000430	630000252
42	PANEL ACS SID UPR	163275905	163275905	163275905	163275905
43	NUT 10-32 ST RET	164510001	164510001	164510001	164510001
44	PLUG ASY DUMP VLV	45880	45880	45880	45880
45	DRIER, FILTER	166184001	166184001	166184001	166184001
46	WRAP ELE BOX	161877113	161877113	161877113	161877113
47	SWITCH ROCKER SPDT	161297004	161297005	161297005	161297004
48	SWITCH ROCKER DUMP SPDT	161297006	161297006	161297006	161297006
49	VALVE SERVICE (2) REQD	162978003	162978003	162978003	162978003
50	PANEL SS RH	164519007	164519007	164519007	164519007
51	SENSOR TEMPERATURE (COND)	161862005	161862005	161862005	
52	RESTISTOR RMT MID PNT BY PASS	N/A	N/A	N/A	164984008
53	BRACKET COND MNT	166047010	166047010	166047010	N/A
54	CLAMP WTR COIL	N/A	N/A	N/A	35987
55	COIL COND	161870002	161870002	161870002	N/A
56	COND-COIL WTR	N/A	N/A	N/A	01210
57	FAN MTR & TML ASY	630000456	166181011	630900308	N/A
58	VALVE WTR REG.	N/A	N/A	N/A	164980002
59	FAN 11"D 5 BLD (COND)	630900624	630900624	630900624	N/A
60	CONTROL HIGH PRESSURE	N/A	N/A	N/A	N/A
61	SHROUD CDR	161890009	161890009	161890009	N/A
62	BRACKET WTR COIL	N/A	N/A	N/A	164820005
63	BRACKET FAN MTR	N/A	N/A	N/A	161915003
64	MOTOR FAN ASY (120V 60HZ) COMP COOLER	N/A	N/A	N/A	166152001
65	FAN 06"D 5 BLD COMP COOLER	N/A	N/A	N/A	165595005



	Description	AC322 115V 60HZ	WC322 115V 60HZ
1	CONTROL, CIRCUIT BOARD (Before Serial Number 9501)	161456037	161456037
	(After Serial Number 9501)	630000263	630000263
2	SWITCH, ON-OFF-CLEAN	161297004	161297004
3	RELAY, COMPRESSOR START	161998009	161998009
4	RELAY, POWER	164884002	164884002
5	CAPACITOR, COMPRESSOR START	25335	25335
6	DRIER	166184001	166184001
7	COMPRESSOR, COPELAND KIT	161456075	161456075
8	MOTOR, FAN CONDENSER	630000456	N/A
9	BLADE, FAN	165595003	N/A
10	SHROUD	161890002	161890002
11	CONDENSER	161870002	N/A
12	PUMP, WATER	41011	41011
13	VALVE, THERMO EXPANSION	161921009	161921009
14	VALVE, HOT GAS	165629005	165629005
15	TUBE, WATER PAN TO PUMP INLET	165636001	165636001
16	CAP, RESERVOIR DRAIN	45681	45681
17	RESERVOIR, WATER	631500008	631500008
18	FLOAT AND VALVE	165681000	165681000
19	BRACKET, FLOAT AND VALVE	165692001	165692001
20	TEE	00987	00987
21	ORIFICE, RESTRICTOR	22176	22176
22	EVAPORATOR	45500	45500
23	END CAP	42493	42493
24	DISTRIBUTOR, WATER	43056	43056
25	COVER, EVAPORATOR	166050009	166050009
26	BRACKET, FRONT COVER MOUNT	166048010	166048010
27	CONDENSER COIL,WATER COOLED	N/A	01210
28	VALVE, WATER REGULATING	N/A	01211
29	BRACKET, BACK COVER MOUNT	38743	38743
30	VALVE, WATER DUMP SOLENOID	165637008	165637008
31	SWITCH, HARVEST-BIN PROXIMI- TY	45537	45537
32	PLUG, ELECTRICAL, DUMP VALVE	45880	45880
33	PLUG, ELECTRICAL, HGV	163231004	163231004
34	POWER CORD ASSY	161085001	161085001
35	MOTOR, COMPRESSOR COOLING	N/A	166152001
36	BLADE, FAN COMPRESSOR COOLER	N/A	165595005
37	CLIP, SPRING FILTER	166037000	N/A
38	FILTER,	166038000	N/A
39	CONTROL, HIGH PRESSURE	N/A	165677004
40	SENSOR, SUCTION LINE	631500009	631500009
41	SPLASH GUARD	45541	45541
42	SWITCH, WATER DUMP VALVE	161297006	161297006
43	VALVE, REF. SERVICE	162978003	162978003
44	SENER, CONDENSER	161862005	N/A
45	CAPACITOR, COMPRESSOR RUN	28883	28883

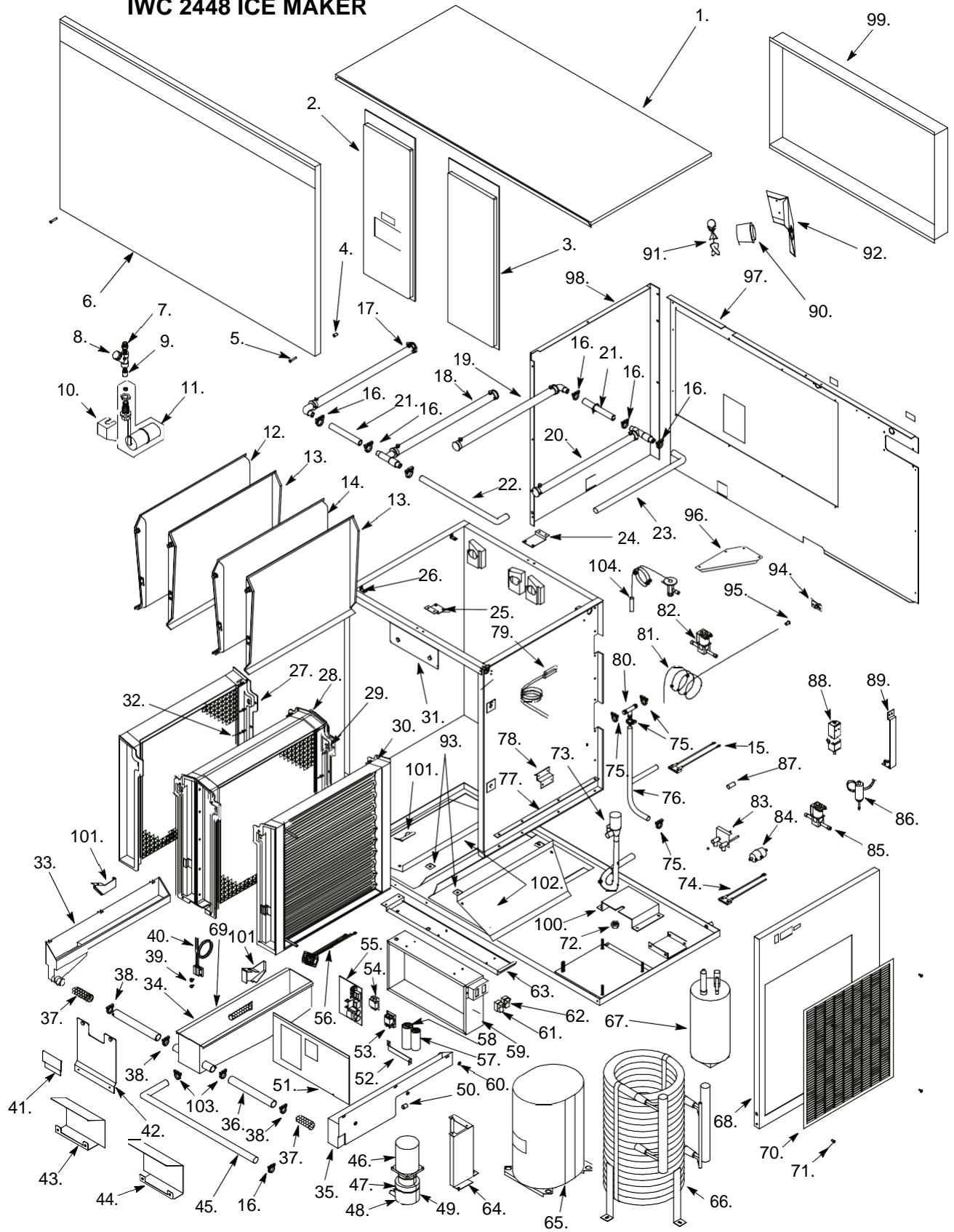
IRC 2448 ICE MAKER



	Description	IRC 2448 230V 60HZ	IRC 2448 3PH
1.	Cover Top IAC 1448	164874005	164874005
2.	Panel, Ice Sec. LT 2448 Asy	161916025	161916025
3.	Panel, Ice Sec. RT 2448 Asy	161916026	161916026
4.	Spacer Ny, 3/8 Dia. x 3/4	164854002	164854002
5.	Screw MA 10-32 TRPH 40 SS	161168004	161168004
6.	Panel, Fnt 2448	164873023	164873023
7.	Connector No. 10 male .25 Tub	40832	40832
8.	Strainer Wtr	162865003	162865003
9.	Coupling Float to Str	166228001	166228001
10.	Shield Sph Float IAC522	161329002	161329002
11.	Float & Valve Asy Cuber	165681000	165681000
12.	Cover Evap Asy 1448 L.H.	166050013	166050013
13.	Cover Evp Asy 630/830/1448	166050011	166050011
14.	Cover Evp Asy No.2 2448	166050014	166050014
15.	Plug Asy Dmp Val AC/WC 300	45880	45880
16.	Nylon Hose Clamp	163242002	163242002
17.	Manifold Asy LH IAC1230	161661006	161661006
18.	Manifold Asy Evp No.3 2448	161661019	161661019
19.	Manifold Asy IRC2448 LH	161661012	161661012
20.	Manifold Asy RH 2448	161661015	161661015
21.	Tub Vnl Mld Man to Man 2448	165636033	165636033
22.	Tub Vnl Mld Man to Tee 2448	165636032	165636032
23.	Tub Vnl Mld Man to Tee RT 2448	165636034	165636034
24.	Manifold Clip RR 2448	164123009	164123009
25.	Manifold Clip FT 2448	164123008	164123008
26.	Clip Manifold Wtr IAC522	164123001	164123001
27.	Evp Asy No.4 2448	164847025	164847025
28.	Evp Asy No.3 2448	164847024	164847024
29.	Evp Asy No.2 2448	164847023	164847023
30.	Evp Asy No.1 2448	164847022	164847022
31.	Brace Upr Bulkhead 2448	164921028	164921028
32.	Rivet Poly Nyl 6/6	166037003	166037003
33.	Pan Wtr Rot Mdg 1030/1400/1448	164829010	164829010
34.	Pan Wtr 2448	164829012	164829012
35.	Pan Wtr RH 1400 RWD	631500008	631500008
36.	Tube Vnl Mold Wtr Pan CNN 2448	165636029	165636029
37.	Screen Wtr Pan 2448 LH &RH ST	162351005	162351005
38.	Clamp Hose 1200-MH PLSTC	40777	40777
39.	Screw Ma 06-32 KN 08	161168017	161168017
40.	Switch Prox Asy 1400-MH	161473205	161473205
41.	Cover Float 2448	164822005	164822005
42.	Center Support, 2448 Wld Asy	164820924	164820924
43.	Deflector Wld Asy 2448 LH	163290024	163290024
44.	Deflector Wld Asy 2448 RH	163290025	163290025
45.	Tub Nnl Mld Man to Tee 2448	165636031	165636031
46.	Pump Water In	164898011	164898011
47.	Tie Cable 14 5/8	167811000	167811000
48.	Insulation Wtr Pmp	161558000	161558000
49.	Insulation Wtr Pmp	161559000	161559000
50.	Cap-Plg .62 ID x .49 Lg	20423	20423
51.	Cover Box Elect IAC1448/2448	161879020	161879020
52.	Strap Cap IRC2448	630200166	N/A
53.	Relay 208/240V 50/60 Hz 25A	40713	35547
54.	Start Relay CMP	161998018	N/A
55.	Circuit Board Micro Ctl	630000263	630000263
56.	Controller Wr Asy 2448	161929015	161929015
57.	Run Capacitor	161192011	N/A
58.	Capac Srt 189 Mfd 33v	41044	N/A
59.	Wrap Box Elec	161877010	161877010
60.	Washer Ft Nylon FS	168807000	168807000
61.	Swt Rocker Dpdt on/off/on	161297005	161297005
62.	Swt Rocker Spdt Dmp	161297006	161297006
63.	Support Elect Box 2448	163296022	163296022
64.	Bracket Wtr Pmp IRC 2448	164882026	164882026
65.	Compressor Kit Asy 2448 R404	161456074	630000251
66.	Receiver Alco 2448	166225001	166225001
67.	Accumulator Foamed Asy	630000225	630000225
68.	Panel Rt Side Asy	163109007	163109007

	Description	IRC 2448 230V 60HZ	IRC 2448 3PH
69.	Screen Wtr Pan 2448 Center	162351006	162351006
70.	Grille Plstc Black 16.8 x 19.2	166194001	166194001
71.	Screw Tc 08-32 PAPH 12 ss zi	161168006	161168006
72.	Nut Hx 3/8-16 Stzi	09652	09652
73.	Valve Dump 230v 50/60 Hz	165637009	165637009
74.	Plug Asy Hot Gas IRC2448	163231008	163231008
75.	Clamp Hose 860-990 PLST B300	163242001	163242001
76.	Tub Vnl Mld Pmp Vlv Mn	165636030	165636030
77.	Retainer Srp Evp Sec	168075002	168075002
78.	Bracket Mtg Val Dump	166193000	166193000
79.	Sensor 3-Pin Conn Asy	161862009	161862009
80.	Fitg-T-Brb 1/2 (3)	00987	00987
81.	Tbg .250 O.D. x .194 I.D. Poly 4.083	166204002	166204002
82.	Valve Hot Gas & Snd	165629009	165629009
83.	Valve & Brkt Svc	168694024	168694024
84.	Dryer Filter	166184003	166184003
85.	Solenoid	165629011	165629011
86.	Switch Prs Asy E50	165677008	165677008
87.	4-Pin Conn Asy Rsr By-Pass	161862010	161862010
88.	Flange Aero Vlv 1/2	166229003	166229003
89.	Valve Aeroquip 1/2	630900082	630900082
90.	Flange Aero Vlv 3/8	166229002	166229002
91.	Valve Aeroquip 3/8	166229000	166229000
92.	Brkt Vlv Aeroquip	164823103	164823103
93.	Brkt Rec Top	164820913	164820913
94.	Washer Internal Star 5/8 STZC	630900033	630900033
95.	Union Br Bulkhead No.6 SAE x .25	165589009	165589009
96.	Brace Cap	164921005	164921005
97.	Panel RR Asy	161916131	161916131
98.	Panel Side LH	165627019	165627019
99.	Cover RR Tub	165627023	165627023
100.	Brkt Rec Btm	164820914	164820914
101.	Kit Splash Guard 4 Evap	630000233	630000233
102.	Ice Defector 2448	630200168	630200168
103.	Clip Locking WLD Ass'y	630000220	630000220
104.	Clamp Hose PLS	163242003	163242003
105.	Expansion Valve	630900478	630900478

IWC 2448 ICE MAKER



	Description	IWC 2448
1.	Cover Top IAC 1448	164874005
2.	Panel, Ice Sec. LT 2448 Asy	161916025
3.	Panel, Ice Sec. RT 2448 Asy	161916026
4.	Spacer Ny, 3/8 Dia. x 3/4	164854002
5.	Screw MA 10-32 TRPH 40 SS	161168004
6.	Panel, Fnt 2448	164873023
7.	Connector No. 10 male .25 Tub	40832
8.	Strainer Wtr	162865003
9.	Coupling Float to Str	166228001
10.	Shield Sph Float IAC522	161329002
11.	Float & Valve Asy Cuber	165681000
12.	Cover Evap Asy 1448 L.H.	166050013
13.	Cover Evp Asy 630/830/1448	166050011
14.	Cover Evp Asy No.2 2448	166050014
15.	Plug Asy Dmp Val AC/WC 300	45880
16.	Nylon Hose Clamp	163242002
17.	Manifold Asy LH IAC1230	161661006
18.	Manifold Asy Evp No.3 2448	161661019
19.	Manifold Asy IRC2448 LH	161661012
20.	Manifold Asy RH 2448	161661015
21.	Tub Vnl Mld Man to Man 2448	165636033
22.	Tub Vnl Mld Man to Tee 2448	165636032
23.	Tub Vnl Mld Man to Tee RT 2448	165636034
24.	Manifold Clip RR 2448	164123009
25.	Manifold Clip FT 2448	164123008
26.	Clip Manifold Wtr IAC522	164123001
27.	Evp Asy No.4 2448	164847025
28.	Evp Asy No.3 2448	164847024
29.	Evp Asy No.2 2448	164847023
30.	Evp Asy No.1 2448	164847022
31.	Brace Upr Bulkhead 2448	164921028
32.	Rivet Poly Nyl 6/6	166037003
33.	Pan Wtr Rot Mdg 1030/1400/1448	164829010
34.	Pan Wtr 2448	164829011
35.	Pan Wtr RH 1400 RWD	631500008
36.	Tube Vnl Mold Wtr Pan CNN 2448	165636029
37.	Screen Wtr Pan 2448 LH &RH ST	162351005
38.	Clamp Hose 1200-MH PLSTC	40777
39.	Screw Ma 06-32 KN 08	161821000
40.	Switch Prox Asy 1400-MH	42693
41.	Cover Float 2448	164822005
42.	Center Support, 2448 Wld Asy	164820924
43.	Deflector Wld Asy 2448 LH	163290024
44.	Deflector Wld Asy 2448 RH	163290025
45.	Tub Nnl Mld Man to Tee 2448	165636031
46.	Pump Water In	164898011
47.	Tie Cable 14 5/8	167811000
48.	Insulation Wtr Pmp	161558000
49.	Insulation Wtr Pmp	161559000
50.	Cap-Plg .62 ID x .49 Lg	20423
51.	Cover Box Elect IAC1448/2448	161879020
52.	Strap Cap IRC2448	630200166
53.	Relay 208/240V 50/60 Hz 25A	40713
54.	Start Relay CMP	161998018
55.	Circuit Board Micro Ctl	630000263
56.	Controller Wr Asy 2448	161929015
57.	Run Capacitor	161192011
58.	Capac Srt 189 Mfd 33v	41044
59.	Wrap Box Elec	161877010
60.	Washer Ft Nylon FS	168807000
61.	Swt Rocker Dpdt on/off/on	161297005
62.	Swt Rocker Spdt Dmp	161297006
63.	Support Elect Box 2448	163296022
64.	Bracket Wtr Pmp IRC 2448	164882026
65.	Compressor Kit Asy 2448 R404	161456074
66.	Water Cooled Condenser	630900118
67.	Accumulator Foamed Asy	630000225
68.	Panel Rt Side Asy	163109007
69.	Screen Wtr Pan 2448 Center	162351006

	Description	IWC 2448
70.	Grille Plstc Black 16.8 x 19.2	166194001
71.	Screw Tc 08-32 PAPH 12 ss zi	161168006
72.	Nut Hx 3/8-16 Stzi	09652
73.	Valve Dump 230v 50/60 Hz	165637009
74.	Plug Asy Hot Gas IRC2448	163231008
75.	Clamp Hose 860-990 PLST B300	163242001
76.	Tub Vnl Mld Pmp Vlv Mn	165636030
77.	Retainer Srp Evp Sec	168075002
78.	Bracket Mtg Val Dump	166193000
79.	Sensor 3-Pin Conn Asy	161862009
80.	Fitg-T-Brb 1/2 (3)	00987
81.	Tbg .250 O.D. x .194 I.D. Poly 4.083	166204002
82.	Valve Hot Gas & Snd	165629009
83.	Valve & Brkt Svc	168694024
84.	Dryer Filter	166184003
85.	Solenoid	165629011
86.	Switch Prs Asy E50	165677008
87.	4-Pin Conn Asy Rsr By-Pass	161862010
88.	Regulator WTR	164980002
89.	Bracket WTR Regulator	630200191
90.	Motor Condensate	N/A
91.	Fan Blade Condensate	N/A
92.	Bracket Condensate Fan	N/A
93.	Clip Locking WLD Ass'y	630000220
94.	Washer Internal Star 5/8 STZC	630900033
95.	Union Br Bulkhead No.6 SAE x .25	165589009
96.	Brace Cap	164921005
97.	Panel RR Asy	161916132
98.	Panel Side LH	165627019
99.	Cover RR Tub	165627023
100.	Brkt Rec Btm	164820914
101.	Kit Splash Guard 4 Evap	630000233
102.	Ice Defector 2448	630200168
103.	Clamp Hose PLS	163242003
104.	Expansion Valve	630900478

