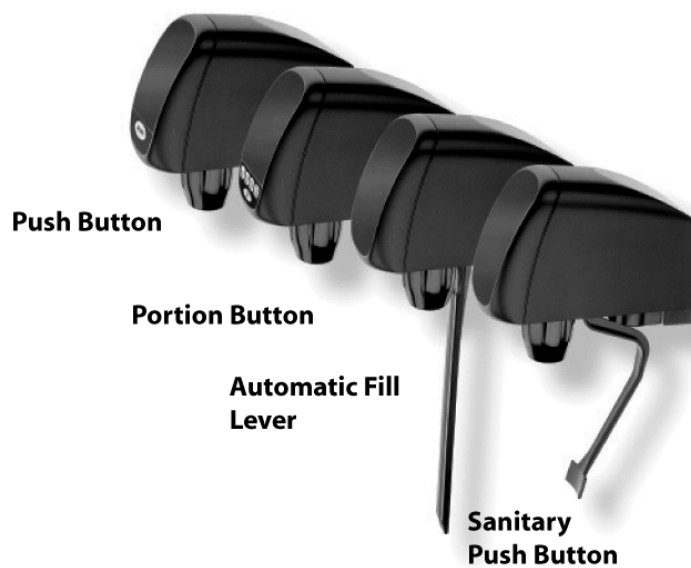
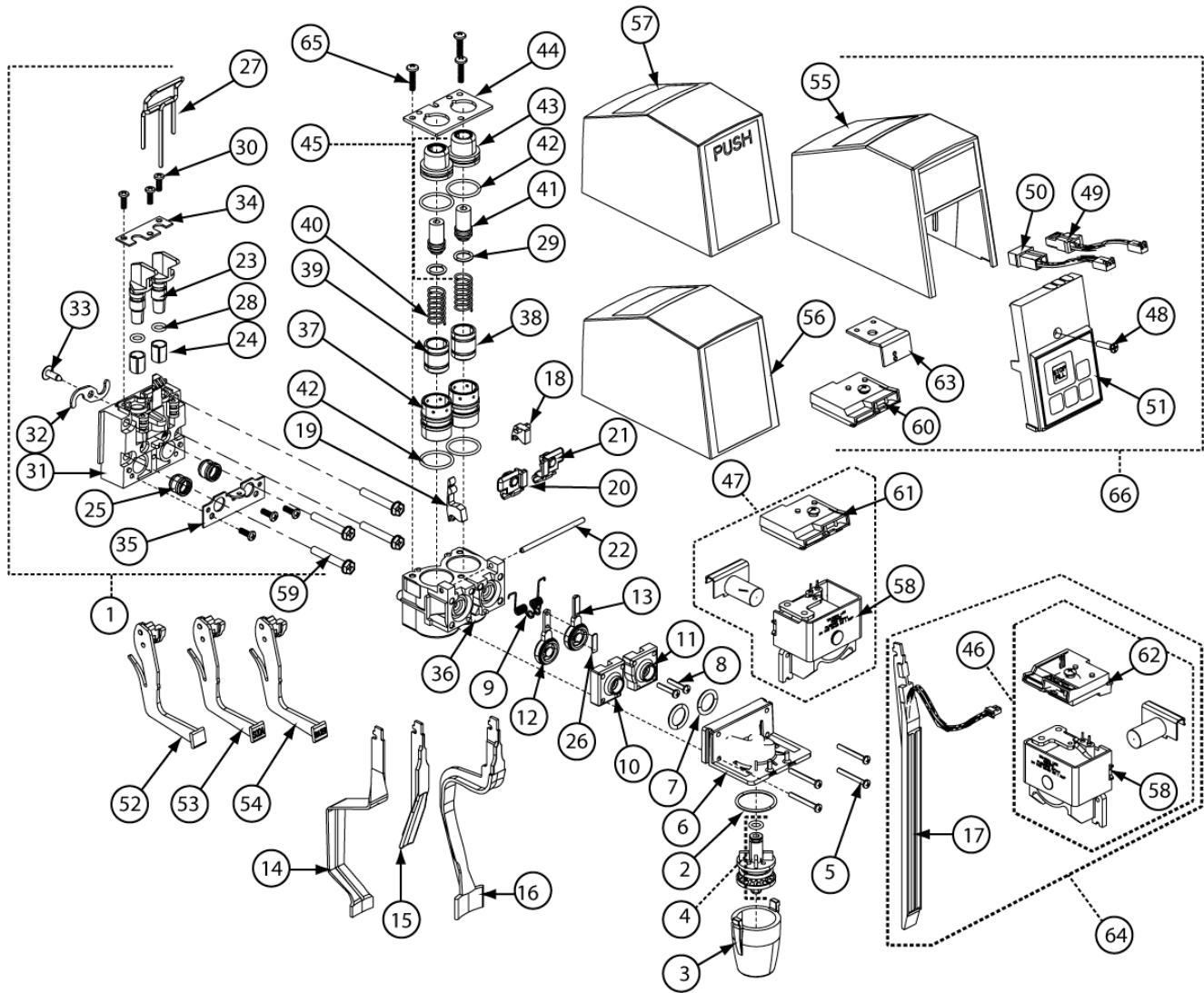


Coca-Cola

Parts Manual Flomatic - 424



FLOMATIC 424 (AC SOLENOID)

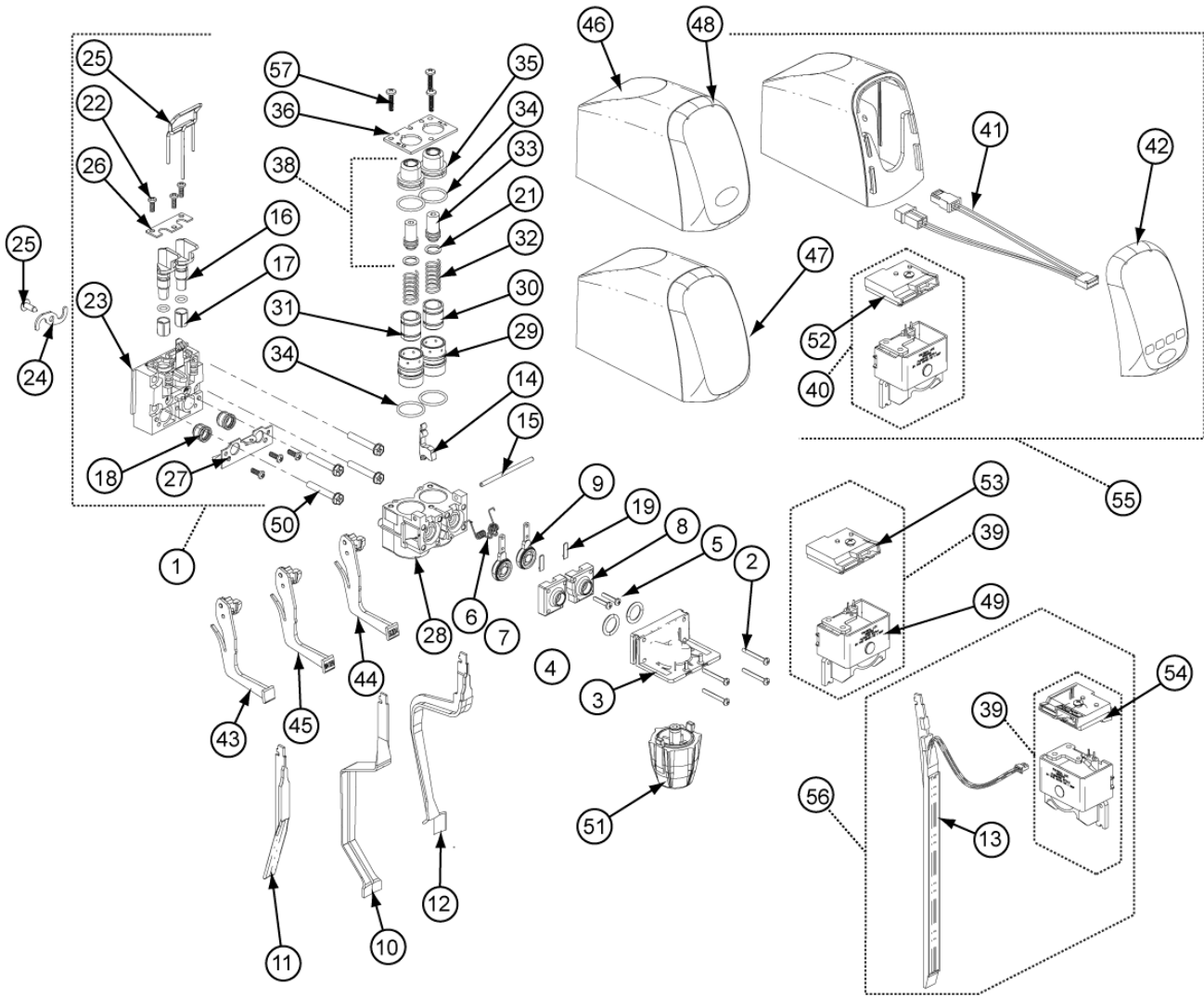


Item No.	CCP Part#	Mfg. Part#	CONA Material#	Description
NR	26835	832-01	150029013	CONTROL PORTION MODULE 4 CUP
NR	14280	424-CF-S36-1525	150032896	VALVE FLOMATIC 424 PUSH BUTTON
NR	20808	424-CF-E36-1521	150031094	VALVE FLOMATIC 424CFE151521
1	28613	5007842	150028342	BLOCK BACK 380 Q FLOMATIC
2	27518	500	150028821	ORING NOZZLE FLOMATIC
3	27541	501-24	150028811	NOZZLE CLEAR TWIST
4	27543	504-10	150028809	DIFFUSER INSERT SOFT 424
5	28617	020003478	150028338	SCREW 4 40 X 1 PH. ROUND SS
6	26377	507-26-B	150029183	BLANK DIFFUSER BLOCK
7	26378	509	150029182	ORING BLOCK DIFFUSER
8	27521	510	150028820	SCREW 4 40X5/8 SS
9	107454	511-04	150025723	SPRING,COIL,FLOMATIC PALLET RETNR
10	26380	512-01-B	150029180	CAP ORIFICE LEFT FLOMATIC
11	26826	513-01-B	150029020	CAP RIGHT ORIFICE
12	26381	515	150029179	PALLET
13	125485	515-24	150016885	PAD,SET,PALLET BEARING
14	29953	516-06	150027639	LEVER SANITARY SS 454
15	28095	516-07	150028600	LEVER BLACK
16	20470	516-09	150031280	LEVER SANITARY FLOMATIC
17	106011	516-10	150026334	LEVER,SENSOR,FLOMATIC 464

424 (AC Solenoid)

Item No.	CCP Part#	Mfg. Part#	CONA Material#	Description
18	27547	517-00	150028808	RETAINER MANUAL
19	1067588	517-05	150001709	LEVER ELECTRIC RETAINER
20	27549	521-00	150028807	ACTUATOR LEFT W/O SCREW
21	27552	522-01	150028805	ACTUATOR RT W/SCREW
22	1067728	524-02	150001638	PIN PIVOT FLOMATIC
23	27525	0000526		PLUG SHUT OFF
24	28612	527	150028343	SEAL BOOT FLOMATIC
25	28618	528	150028337	SEAL STEM FLOMATIC
26	105383	530	150026654	BEARING,PALLET,FLOMATIC
27	27554	0053804		LATCH 3 POINT
28	27528	543	150028817	ORING DIFFUSER
29	27529	551	150028816	ORING ADJUST SCREW SODA
30	1068449	553-00	150001333	SCREW 6 X 3/8
31	1065519	562-80	150002622	BLOCK BLANK FLOMATIC
32	27533	5031205	150028814	CLIP S
33	27558	565	150028804	SCREW 8X12 PH
34	26825	380-Q	150029021	BLOCK MOUNTING FLOMATIC
35	27532	568	150028815	RETAINER STEM SEAL
36	26396	600-07-B	150029173	BASE,FLOW CTRL,424 NUMBER 8
37	26397	602-02	150029172	CYLINDER CERAMIC
38	26398	603-02	150029171	PISTON SYRUP
39	26399	604-02	150029170	PISTON SODA
40	27563	605-01	150028803	SPRING FLOW CONTROL
41	26401	607	150029169	SCREW ADJUSTMENT
42	26402	608	150029168	ORING CYLINDER SEAL ORIG COKE:608 **0001
43	27536	642-00	150028813	NUT ADJUSTMENT BRIX 424 VALVE
44	27566	610-04	150028800	PLATE RETAINER 6 32 FLOMATIC
45	27536	642-00	150028813	NUT ADJUSTMENT BRIX 424 VALVE
46	107453	774-A36	150025724	VALVE,SOLENOID,SNGL,AUTOFIL,FLOMATC
47	26831	774-E36	150029016	SOLENOID ASSY. COMPLETE
48	26836	805	150029012	SCREW,6/32 X 5/8,SS,FLOMATIC
49	26833	00817-02		PLUG ASSY. 2 PIN / 2 WIRE
50	26834	817-03	150029014	PLUG ASSY. 3 PIN / 2 WIRE
51	26835	832-01	150029013	CONTROL PORTION MODULE 4 CUP
52	1070024	1028	150000613	LEVER WATER 464 ADD A LEVER
53	28098	1028-S	150028597	LEVER SODA FLOMATIC
54	1066766	1028-W	150002103	LEVER WATER 424/464 VALVE
55	123099	1600	150018393	COVER,PORTION CONTROL VLV,FLOMATIC
56	27540	1521-ORA	150028812	COVER,BLACK
57	28614	1525	150028341	COVER PB S15 FLOMATIC BLACK
58	26828	9774-1	150029019	SOLENOID COIL
59	131500	5011953	150012830	SCREW,#10-24X1-1/4,SELF TAP
60		5030418	150012830	SWITCH, PCTRL
61	112877	5030419	150023728	SWITCH,HOUSING,SLV
62	118601	5030421	150020922	MODULE BOARD, FLOMATIC
63	26837	5030891	150029011	BRACKET,RETAINER,P25,FLOMATIC
64	20608	5031018	150031199	SOLENOID AUTO FILL M SERIES
65	117867	020001284	150021304	SCREW,#8 X 5/8 PAN HEAD
66	28474	5031026	150028405	KIT PORTION CONT.CONV.FLOMATIC

424 - GP

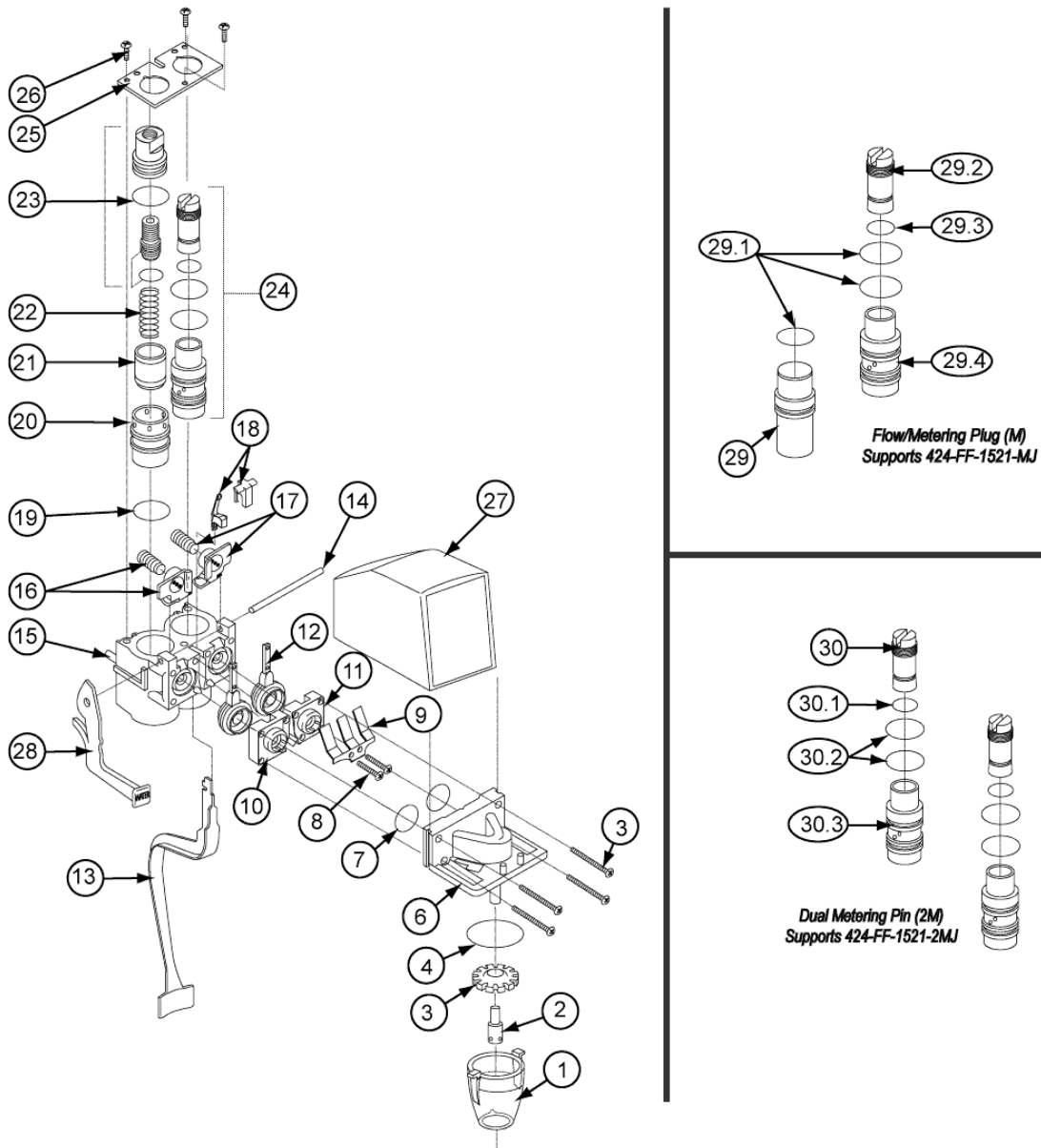


Item No.	CCP Part#	Mfg. Part#	CONA Material#	Description
NR		424-GP-P31-1600	150028405	Valve Portion Control
NR		424-GP-E35-1621	150028405	VALVE SANITARY LEVER
1	26825	380-Q	150029021	BLOCK MOUNTING FLOMATIC
2	28617	020003478	150028338	SCREW 4 40 X 1 PH. ROUND SS
3	26377	507-26-B	150029183	BLANK DIFFUSER BLOCK
4	26378	509	150029182	ORING BLOCK DIFFUSER
5	27521	510	150028820	SCREW 4 40X5/8 SS
6	107454	511-04	150025723	SPRING,COIL,FLOMATIC PALLET RETNR
7	26380	512-01-B	150029180	CAP ORIFICE LEFT FLOMATIC
8	26826	513-01-B	150029020	CAP RIGHT ORIFICE
9	26381	515	150029179	PALLET
10	29953	516-06	150027639	LEVER SANITARY SS 454
11	28095	516-07	150028600	LEVER BLACK
12	20470	516-09	150031280	LEVER SANITARY FLOMATIC
13	106011	516-10	150026334	LEVER,SENSOR,FLOMATIC 464
14	1067588	517-05	150001709	LEVER ELECTRIC RETAINER
15	1067728	524-02	150001638	PIN PIVOT FLOMATIC
16	27525	0000526		PLUG SHUT OFF
17	28612	527	150028343	SEAL BOOT FLOMATIC
18	28618	528	150028337	SEAL STEM FLOMATIC

424-GP Postmix Valve

Item No.	CCP Part#	Mfg. Part#	CONA Material#	Description
19	105383	530	150026654	BEARING,PALLET,FLOMATIC
20	27554	0053804		LATCH 3 POINT
21	27529	551	150028816	ORING ADJUST SCREW SODA
22	1068449	553-00	150001333	SCREW 6 X 3/8
23	1065519	562-80	150002622	BLOCK BLANK FLOMATIC
24		564	150002622	S-CLIP
25	27558	565	150028804	SCREW 8X12 PH
26	26825	380-Q	150029021	BLOCK MOUNTING FLOMATIC
27	27532	568	150028815	RETAINER STEM SEAL
28	26396	600-07-B	150029173	BASE,FLOW CTRL,424 NUMBER 8
29	26397	602-02	150029172	CYLINDER CERAMIC
30	26398	603-02	150029171	PISTON SYRUP
31	26399	604-02	150029170	PISTON SODA
32	27563	605-01	150028803	SPRING FLOW CONTROL
33	26401	607	150029169	SCREW ADJUSTMENT
34	26402	608	150029168	ORING CYLINDER SEAL ORIG COKE:608 **0001
35		609	150029168	NUT FLOW RATE ADJ
36	27566	610-04	150028800	PLATE RETAINER 6 32 FLOMATIC
37	27536	642-00	150028813	NUT ADJUSTMENT BRIX 424 VALVE
38	107453	774-A36	150025724	VALVE,SOLENOID,SNGL,AUTOFIL,FLOMATC
39	26831	774-E36	150029016	SOLENOID ASSY. COMPLETE
40		774-P36	150029016	SOL PCTRL SNGL YOKE AC
41	116072	817-04	150022364	HARNESS,CPM,FLOMATIC
42		835	150022364	PC MODULE 4 CUP
43	1070024	1028	150000613	LEVER WATER 464 ADD A LEVER
44	28098	1028-S	150028597	LEVER SODA FLOMATIC
45	1066766	1028-W	150002103	LEVER WATER 424/464 VALVE
46	107065	1601	150025932	COVER,BASE,FLOMATIC
47	117512	1602-ORA	150021464	COVER,FRONT,FLOMATIC
48	105324	1610	150026692	PLATE,FACE,PUSH BUTTON,464 GP FLOMATIC
49	26828	9774-1	150029019	SOLENOID COIL
50	131500	5011953	150012830	SCREW,#10-24X1-1/4,SELF TAP
51	109144	5028589	150025008	NOZZLE,FLOMATIC VALVE,424
52		5030418	150025008	SWITCH, PCTRL
53	112877	5030419	150023728	SWITCH,HOUSING,SLV
54	118601	5030421	150020922	MODULE BOARD, FLOMATIC
55	112523	5031015	150023834	KIT,A/C,PC CONVERSION,464
56	20608	5031018	150031199	SOLENOID AUTO FILL M SERIES
57	117867	020001284	150021304	SCREW,#8 X 5/8 PAN HEAD

424 JUICE VALVE



Item No.	CCP Part#	Mfg. Part#	CONA Material#	Description
NR		424-CF-S15-1525	150021304	SELF-SERVICE VALVE
NR		424-CF-P32-1500	150021304	PORTION CONTROL
NR		424-CF-1521-WJ	150021304	MANUAL VALVE
1	28608	501-14	150028347	NOZZLE FLOMATIC WATER VALVE
1.1		50115	150028347	NOZZLE - BLACK, TWIST-OFF
2	28097	502-02-B	150028598	DIFFUSER ASSY BLK
3	12776	504-00-B	150033403	DIFFUSER 424 SERIES JUICE VLVE
4	27518	500	150028821	ORING NOZZLE FLOMATIC
5	28617	020003478	150028338	SCREW 4 40 X 1 PH. ROUND SS
6	28096	507-16-B	150028599	BLOCK DIFFUSER BLK
7	26378	509	150029182	ORING BLOCK DIFFUSER
8	27521	510	150028820	SCREW 4 40X5/8 SS
9	26379	511	150029181	SPRING
10	1070669	512-02-G	150000293	CAP ORIFICE LEFT
11	1070670	513-02-G	150000292	CAP ORIFICE RIGHT
12	26381	515	150029179	PALLET
13	20470	516-09	150031280	LEVER SANITARY FLOMATIC

423 Postmix Juice Valve

Item No.	CCP Part#	Mfg. Part#	CONA Material#	Description
14	1067728	524-02	150001638	PIN PIVOT FLOMATIC
15	26396	600-07-B	150029173	BASE, FLOW CTRL, 424 NUMBER 8
16	27549	521-00	150028807	ACTUATOR LEFT W/O SCREW
16.1	27524	523	150028818	SCREW ADJTMNT ACTUATOR
17		52201523	150028818	ACTUATOR ASSEMBLY RIGHT SCREW ACTUATOR ADJUSTMENT
18		51704	150028818	ELECTRIC RETAINER LEVER
18.1	27547	517-00	150028808	RETAINER MANUAL
19	26402	608	150029168	ORING CYLINDER SEAL ORIG COKE:608 **0001
20	26397	602-02	150029172	CYLINDER CERAMIC
21	26399	604-02	150029170	PISTON SODA
22	27563	605-01	150028803	SPRING FLOW CONTROL
23	27536	642-00	150028813	NUT ADJUSTMENT BRIX 424 VALVE
23.1	27529	551	150028816	ORING ADJUST SCREW SODA
23.2	26401	607	150029169	SCREW ADJUSTMENT
23.3	26402	608	150029168	ORING CYLINDER SEAL ORIG COKE:608 **0001
23.4		609	150029168	NUT - BRIX ADJUSTMENT
24		60600	150029168	METERING ASSEMBLY
24.1		60601	150029168	BODY - METERING PLUG
24.2	26402	608	150029168	ORING CYLINDER SEAL ORIG COKE:608 **0001
24.3	27528	543	150028817	ORING DIFFUSER
24.4		60602	150028817	SCREW - METERING PLUG
25	27566	610-04	150028800	PLATE RETAINER 6 32 FLOMATIC
26		61101	150028800	SCREW - 6-32X1/4 SS
27	27540	1521-ORA	150028812	COVER, BLACK
28	1066766	1028-W	150002103	LEVER WATER 424/464 VALVE
29		612	150002103	PLUG - FLOW CONTROL
29.1	26402	608	150029168	ORING CYLINDER SEAL ORIG COKE:608 **0001
29.2		606-02	150029168	SCREW - METERING PLUG
29.3	27528	543	150028817	ORING DIFFUSER
29.4		606-01	150028817	BODY - METERING PLUG
30		606-02	150028817	SCREW - METERING PLUG
30.1	27528	543	150028817	ORING DIFFUSER
30.2	26402	608	150029168	ORING CYLINDER SEAL ORIG COKE:608 **0001
30.3		606-01	150029168	BODY - METERING PLUG