



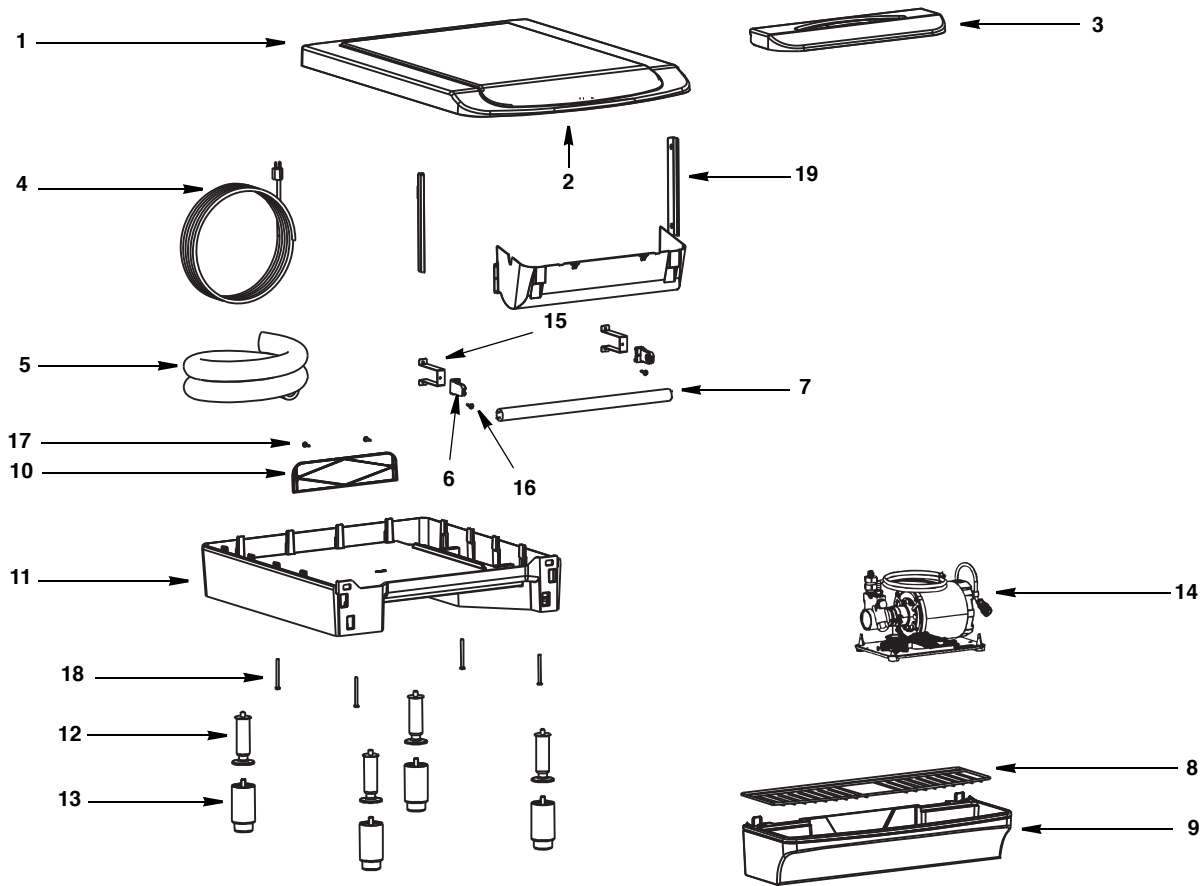
Flav'R-Pic Multi-Beverage / Selectable Ice Dispenser Parts List for Models

FRP-250

FRP-250SCI

FRP-250 TB

FRP-250 & FRP-250SCI LID, SPLASH PANELS, BASE, PUMP DECK



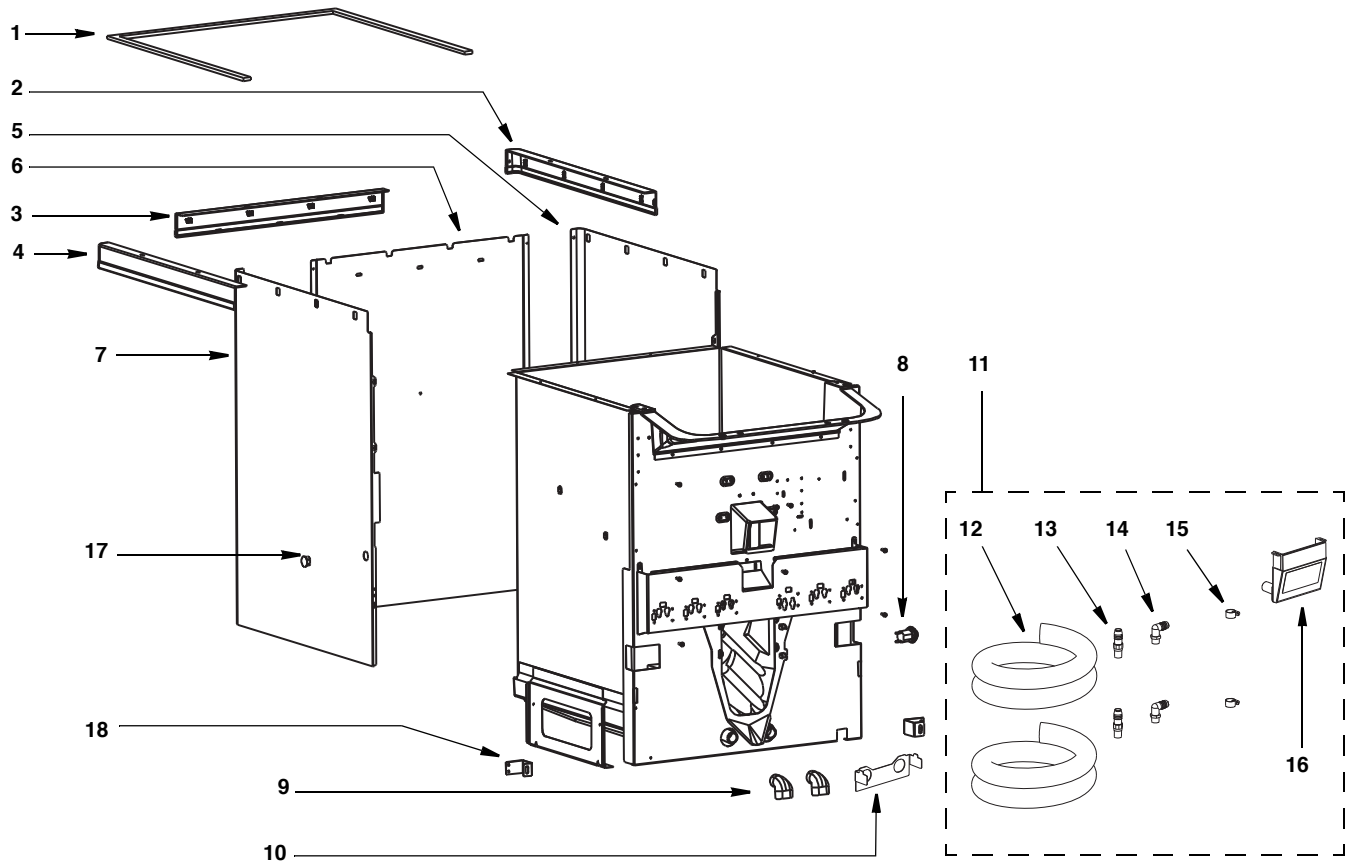
DESCRIPTION

	DESCRIPTION	PART NO.
1	Lid.....	5012179
2	Sticker "Danger Tag".....	0301249
3	Manual Fill Ice Lid (Black).....	5012116
4	Cord Electric (Agitator Motor).....	5008642
5	Drain Kit.....	2602528
6	Socket End Light.....	1001001
7	Fluorescent Tube (24").....	5012827
8	Grid	
a.	FRP-250.....	5012250
b.	FRP-250SCI Open Center.....	020002865
c.	Reduced Spacing Grid.....	020000156
9	Drain pan (30") w/ Gasket.....	020000900
10	Plate Base Rear Cover.....	020000408
11	Base.....	020000399
12	Leg 3/8 - 16 X 4.....	5013595
13	Leg 2" Dia X 4-6" W/ 3/8-16 Stud.....	020000398
14	Pump Deck	
a.	115V, 1/3 Hp.....	15-3120
b.	220V, 1/3 Hp.....	15-3198

Miscellaneous - Brackets, Screw, Etc.

15	Bracket Lt Socket.....	7050046
16	8-32 X 1/2 Flat Head Screw.....	0900504
17	Screw #8x3/4" Ph Tr Hd A Blk.....	5007697
18	12 X 2 1/2 Pan Head Screw.....	5027731
19	Medallion Support Bracket.....	5031493

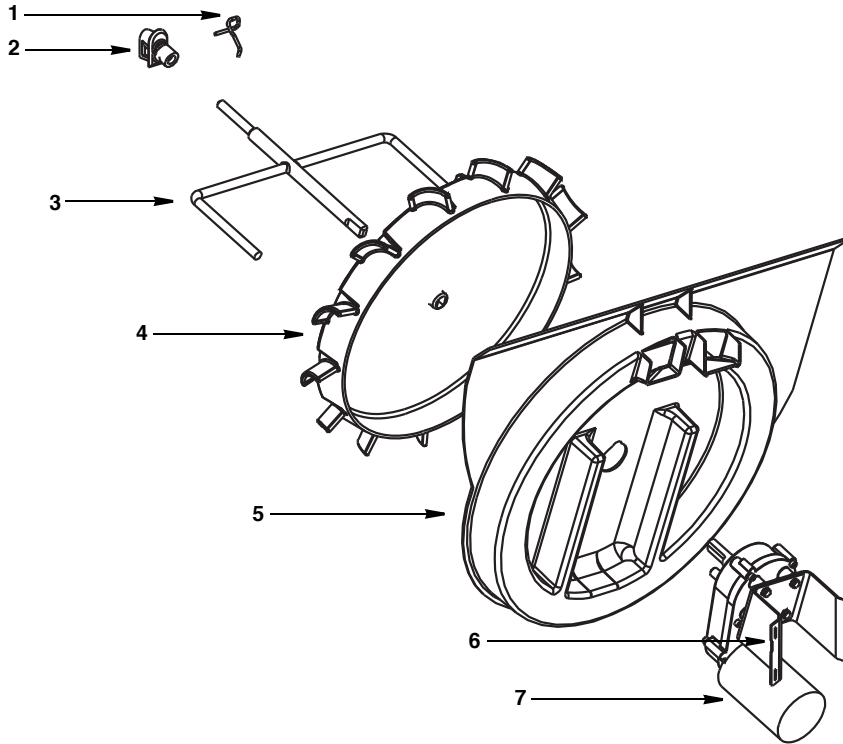
FRP-250 & FRP-250SCI PANELS, TRIM, & COLLECTOR BOX



DESCRIPTION

	PART NO.
1 Gasket (Rectangular Profile)	5007756
2 Trim Cosmetic Top Right (Black)	5011890
3 Trim Cosmetic Top Back	5012150
4 Trim Cosmetic Top Left (Black)	5011889
5 Panel Side Right	
a. Standard	020001455
b. Pepsi	020000648
6 Panel Rear	020000503
7 Panel Side Left	
a. Standard	020001456
b. Pepsi	020000619
8 Key Switch	5000220
9 Elbow 90 Degree Rubber	5010337
10 Collector Box Bracket	020003881
11 Collector Box Insulated Bin Drain Kit	020003918
12 Tubing 3/4" ID X 1" OD Vinyl	1200419
13 Fitting, 3/4" MALE 1/2" NPT Long Barb	020003707
14 90 Degree Elbow 3/4" Barb X 1/2" MPT	020003415
15 Clamp Radiator Size 12 SS 1 1/4" Radius	0903203
16 Collector Box with Insulation	020003916
Miscellaneous - Brackets, Screw, Etc.	
17 Heyco Plug	1200303
18 Clip Splash Panel	5028398

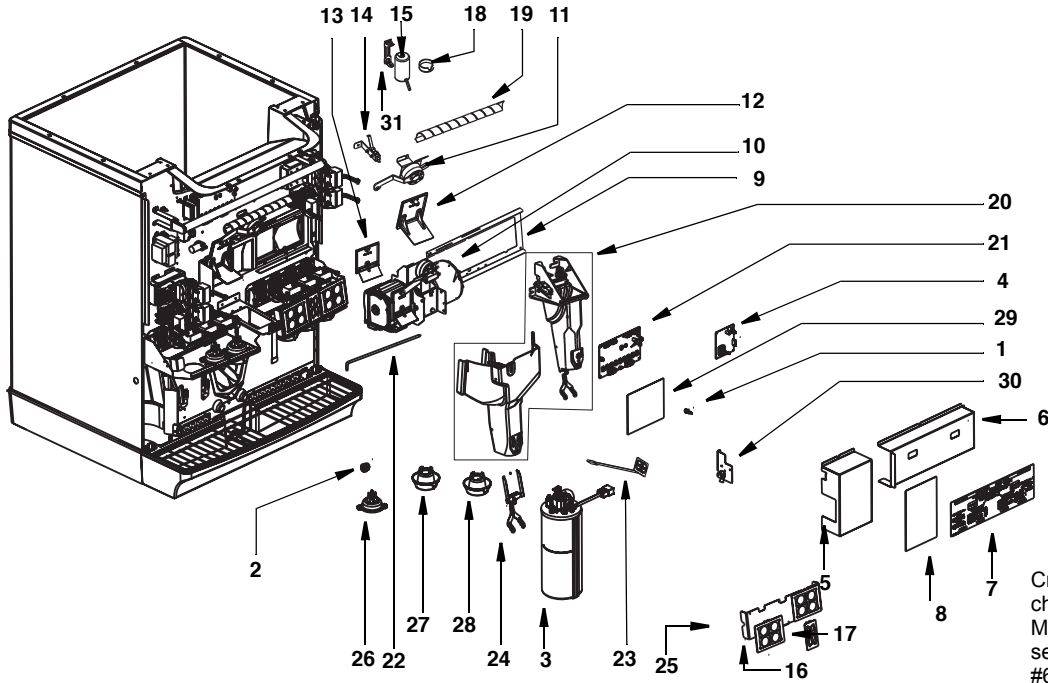
FRP-250 & FRP-250SCI FRONT SERVICEABLE DRIVE TRAIN & ICE BIN COMPONENTS



DESCRIPTION

	PART NO.
1 Clip Hitch Pin	020002668
2 Mushroom Bushing	020001418
3 Agitator	020001568
4 Paddle Wheel Plastic Double D	020001423
5 Paddle Wheel Area	
a. FRP-250SCI (With Crusher)	020000867
b. FRP-250 (Without Crusher)	5027733
6 Motor Mount Assembly	020001703
a. Bolts 1/4-20x5/8" SS Hhcs	0900601
b. Retaining Pin	4140023
7 Front Serviceable Motor 115V	020003596

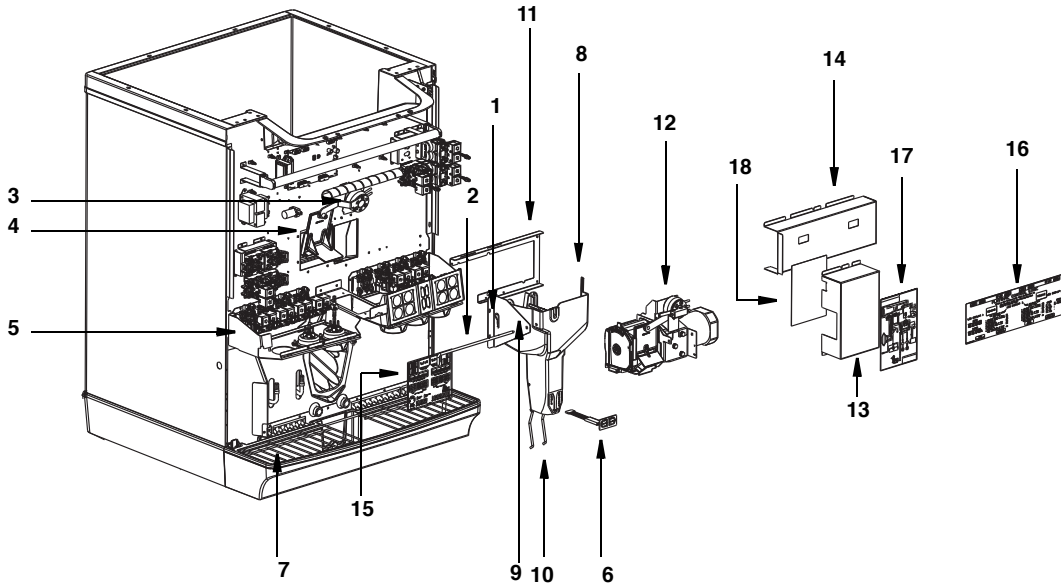
FRP-250 & FRP-250SCI WITH GEN I MOTOR



DESCRIPTION

	PART NO.
1 Standoff 3/8 High	02012539
2 Plug Heyco Cord Strain Relief	1200301
3 Vertical Carbonator Tank, McCann's	5031860
4 Control Board 120v (FRP-250SCI with Crusher Only)	020000875
5 Electrical Box Left	020001921
6 Electrical Box Right	020001922
7 Label Wiring Controls	020003733
8 Label Wiring 115/60	
a. FRP-250SCI (with Crusher)	020001892
b. FRP-250 (without Crusher)	020002260
9 Channel Motor Mount (FRP-250SCI with Crusher Only)	020000993
10 Ice Crusher Assembly (FRP-250SCI with Crusher Only)	020000878
11 Solenoid Assembly (FRP-250SCI with Crusher Only)	020000951
12 Door Whole Ice (FRP-250SCI with Crusher Only)	020000874
13 Door Crushed Ice (FRP-250SCI with Crusher Only)	020000879
14 Microswitch Safety	020001140
15 Capacitor Crusher (FRP-250SCI with Crusher Only)	5031515
16 Brand Keypad/Harness	020003713
17 Flavor Shot Keypad	
a. FRP-250 & FRP-250 SCI (w/ Flavor Shots)	020003712
b. FRP-250 & FRP-250 SCI (w/o Flavor Shots)	020003714
18 Cap Capacitor Motor (FRP-250SCI with Crusher Only)	020000201
19 Wire Wrap (FRP-250SCI with Crusher Only)	020001285
20 Ice Chute	
a. FRP-250SCI (with Crusher)	020000914
b. FRP-250 (without Crusher)	020002317
21 FRP Control Board	020003711
22 Rod Selectable Ice (FRP-250SCI with Crusher Only)	020000952
23 Cubed/Crushed Keypad (FRP-250SCI with Crusher Only)	020002252
24 Lever Sanitary	
a. FRP-250	020001621
b. FRP-250 SCI	020002869
c. FRP-250 TB	5031758
25 Touch Pad Mount	020001751
26 Nozzle Mount	020001779
a. O-ring	020002018
b. Mounting Nut	020002594
27 Nozzle Decorative w/Diffuser	020003079
28 Nozzle Decorative Flavor Shot	020002046
Miscellaneous - Brackets, Screw, etc.	
29 Plumbing Diagram	020001891
30 Strain Relief Bracket	020001856
31 Bracket Capacitor Mtr ED-8110-1 (FRP-250SCI with Crusher Only)	5031516
— Flavor Label Packet	020002028
— Relay Motor ED-8110-1	5031518
— Harness Wiring	020000315
— Harness Kit - Harness/Keypad W /Flavor Shot	020003731
— Harness Activation Switch	020000335
— Harness Selectable Ice Keypad	020000336
— Harness Transformer	020000337
— Harness Control Board	020000338
— Harness Solenoid	020001800
— Harness Power	020001802
— Harness Sync	020001803
— Harness Adapter	020001839
— Harness Adapter 2	020002907
— Harness Solenoid Ext 2 Pin	020002016
— Harness Power Adapter	020002017

FRP-250SCI WITH LINIX CRUSHER MOTOR

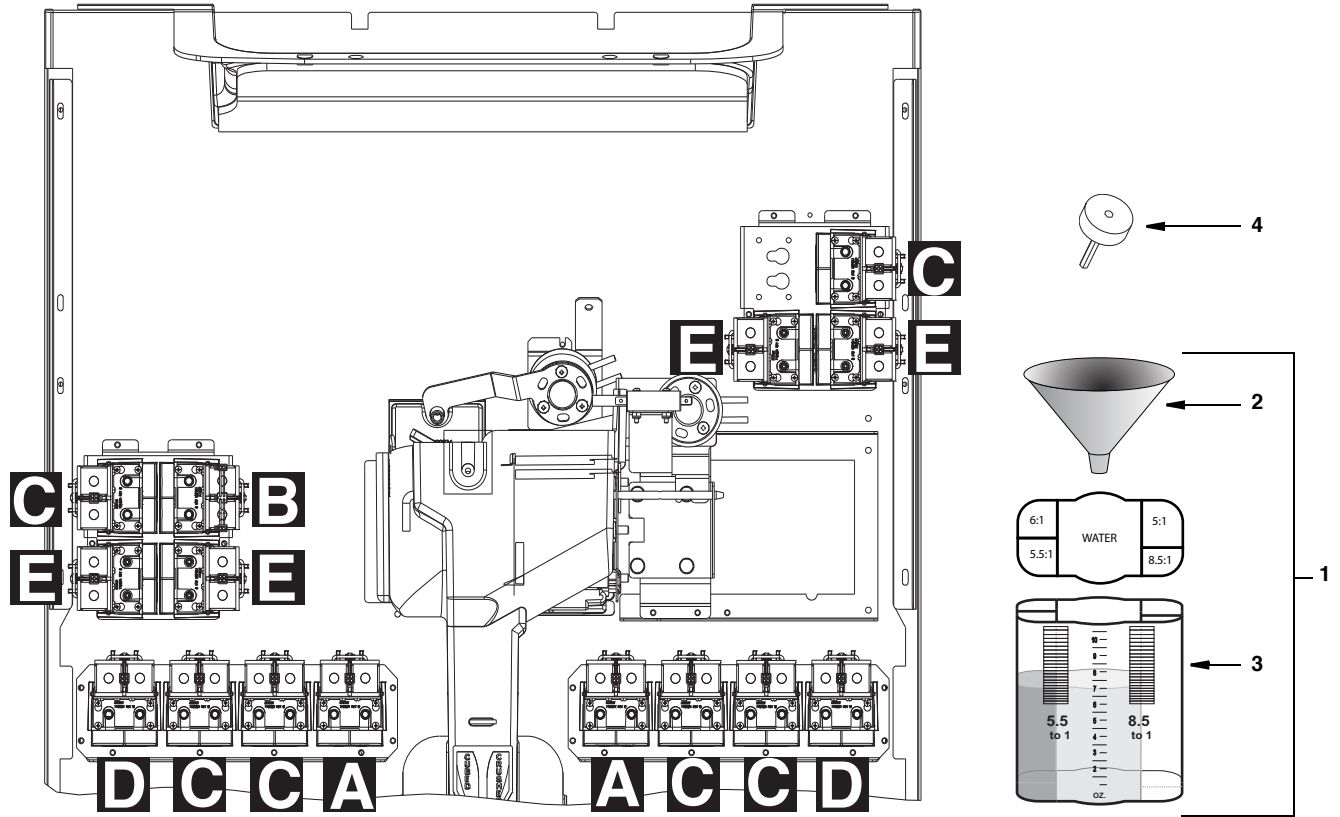


Crusher components
changed to Linix
Motors starting with
serial numbers:
#610090050 & up

DESCRIPTION

	PART NO.
1 Ice Chute Rod Clip Hitch Pin	5012374
2 Rod Selectable Ice (FRP-250SCI With Crusher Only)	020000952
3 Solenoid Assy (FRP-250SCI with Crusher Only)	020000951
4 Door Whole Ice (FRP-250SCI with Crusher Only)	020000874
5 Plate Nozzle Mounting	
a. FRP-250	020002038
b. FRP-250SCI	020002833
6 Cubed/crushed Keypad	020002252
7 Grid Open Center	020002865
8 Chute Decorative	020002932
9 Rocking Chute Support Rod	020002971
10 Lever - Open Center	020002869
11 Motor Mount Channel	020003024
12 Ice Crusher Assembly	020003087
13 Electrical Box Left	020001921
14 Electrical Box Right	020001922
Miscellaneous - Brackets, Screw, etc.	
15 Plumbing Diagram	020001891
16 Label - Wiring Controls	020003733
17 FRP Wiring Label 115/60	020003042
18 Ladder Wiring Label 115/60	020003044
— Flavor Label Packet	020002028
— Harness Solenoid	020001800
— Selectable Ice Keypad Harness 8 to 9 Pin	020000336
— Sync Harness 4 Pin	020001803
— Power Harness	020001802

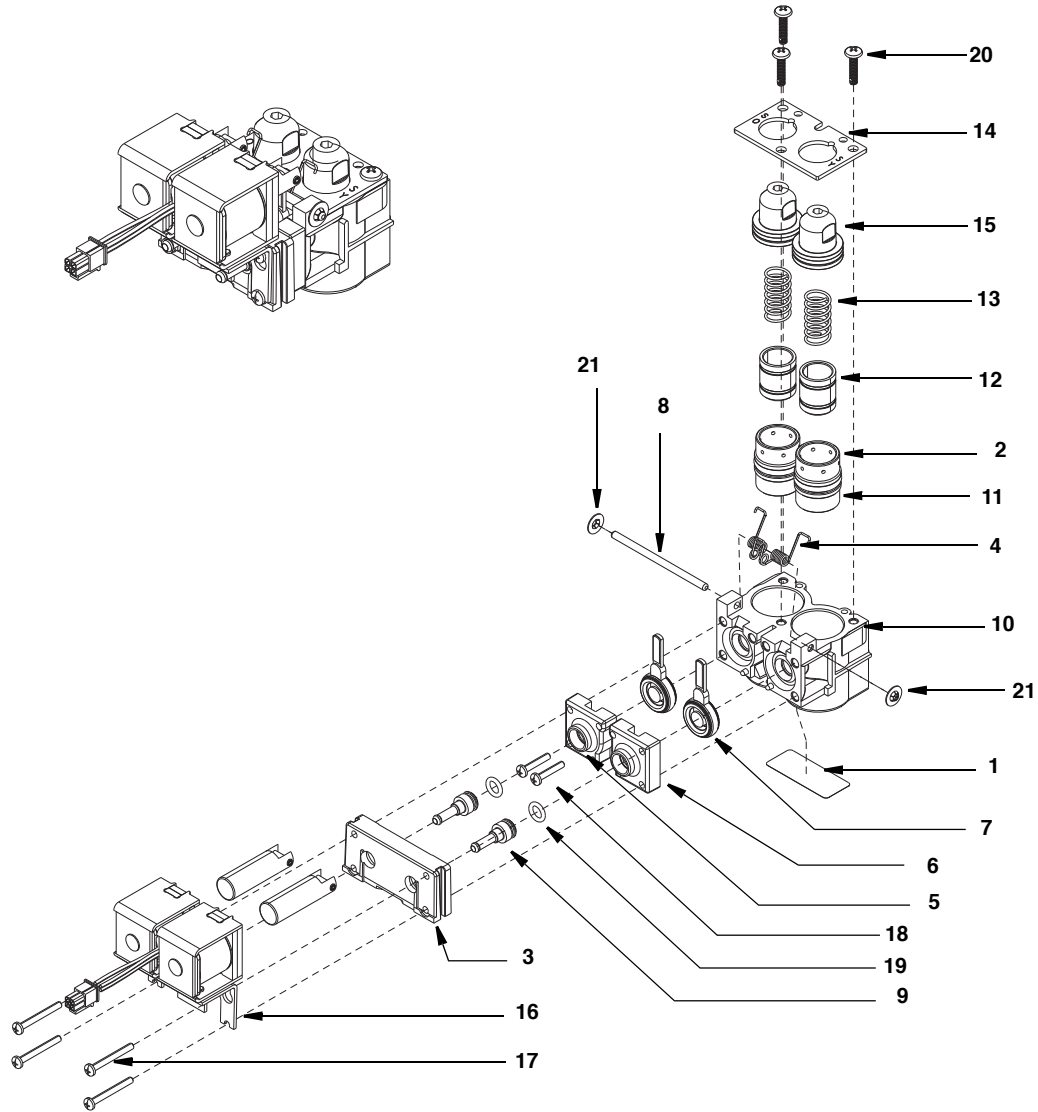
FRP-250 / FRP-250SCI VALVE LAYOUT & BRIX TOOLS



DESCRIPTION

	PART NO.
A. 464 Soda/Soda	464-CSO-D27
B. 464 Syrup/Syrup	464-CSY-D23
C. 464 Syrup/Syrup	464-CSY-D27
D. 464 Soda/Syrup	464-GP-D27
E. 464 Syrup/Syrup (Flavor Shot Valves)	464-CSY-D24-SP
1 Brix Cup with Funnel	020003329
2 Brixing Funnel	020000907
3 High Viscosity Brix Cup	99-9440
4 Brixing Tool (for valve adjustment)	020002864

464-CSO-D24 (464 WATER/WATER VALVE)



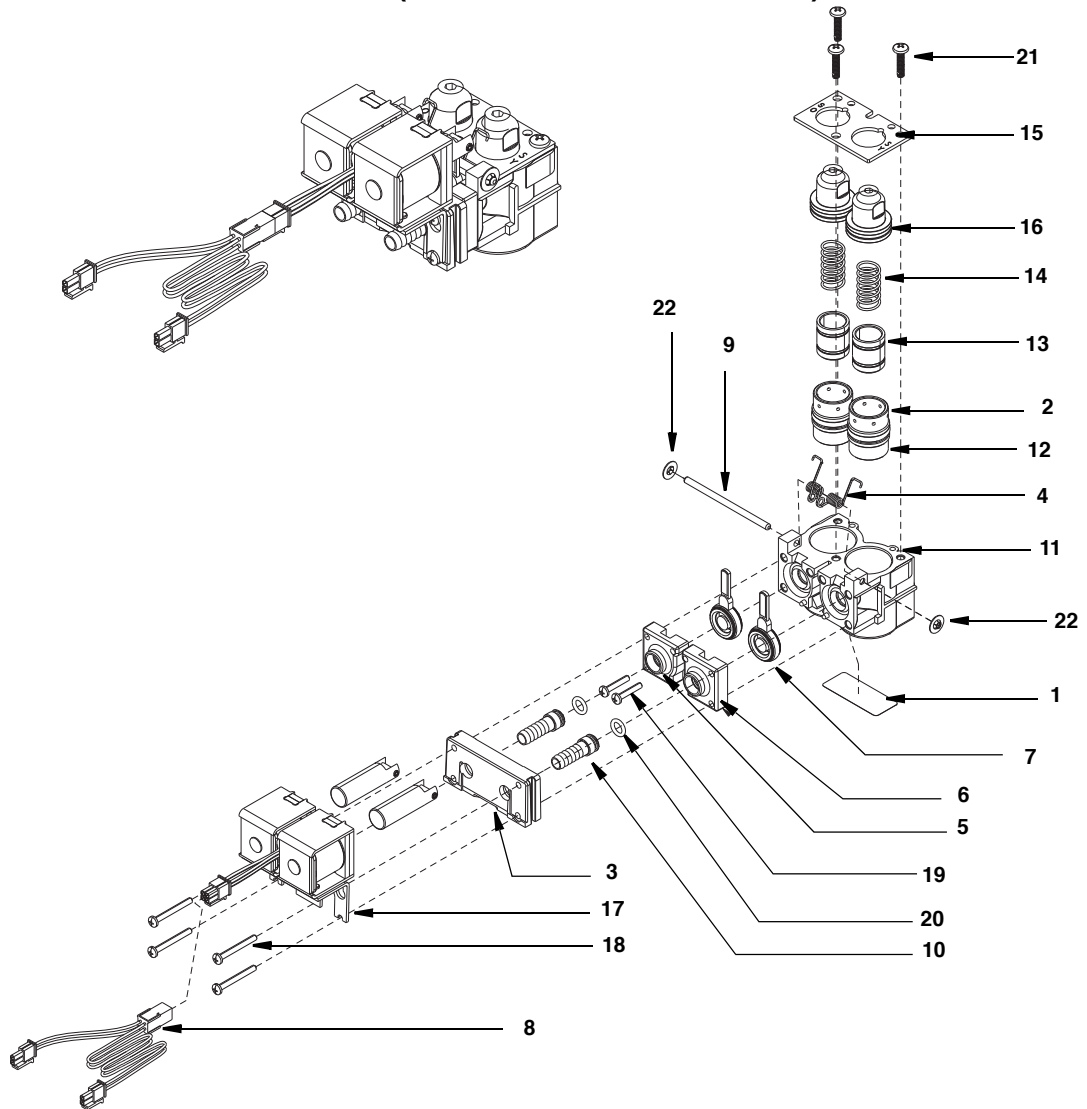
DESCRIPTION

DESCRIPTION	PART NO.
1 Tag Flo Blank	5012603
2 O-ring Sleeve	5028273
3 Diffuser Block 407	507-28-6
4 Spring Coil Pallet Retainer	511-04
5 Orifice Cap GP Lft Blk	512-02-G
6 Orifice Cap GP Rt Blk	513-02-G
7 Pallet Bearing Pad Set	515-30
8 Pivot Pin Long	524-02
9 Fitting 1/4 Barb Outlet	555-30
10 Flow Control Base 464 #8	600-47-G
11 Cylinder HF	602-03
12 Soda Piston GP	604-04-G
13 Spring Flow Control HF Soda	605-02
14 Retainer Plate 6-32	610-04
15 Flow Rate Adjuster 464GP	643-00
16 FRP Dual Solenoid	770-D24

Miscellaneous - Brackets, Screws, etc.

17 Screw 4-40 X 1-1/8 18-8 PH PAN HD M/S	020003478
18 Screw 4-40x5/8	510
19 O-ring 010	543
20 Screw #8 X 5/8 Ph Hi-Lo 18-8	020001284
21 Nut Push 1/8 Galv.	020002594

464-CSY-D23 (464 SYRUP/SYRUP VALVE)



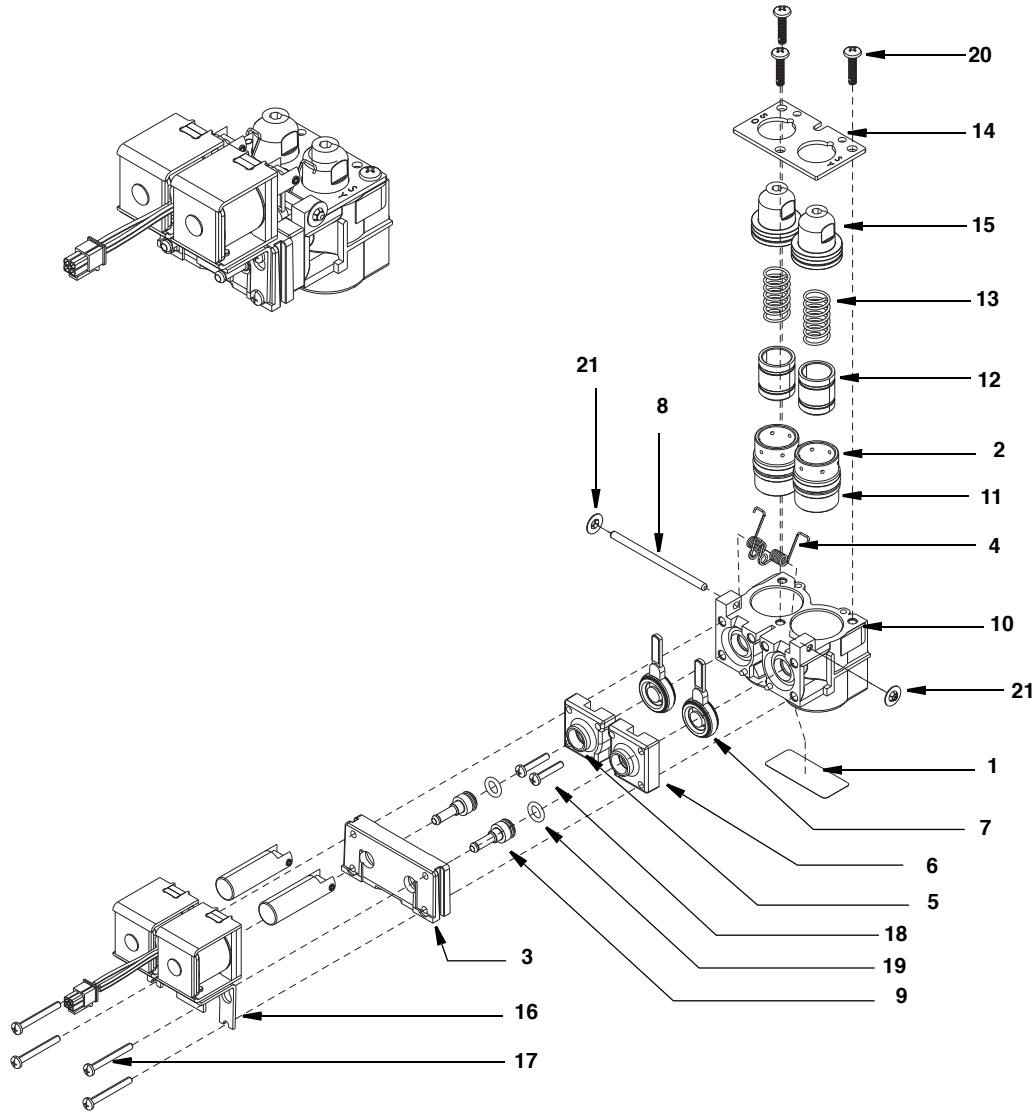
DESCRIPTION

DESCRIPTION	PART NO.
1 Tag Flo Blank	5012603
2 O-ring Sleeve	5028273
3 Diffuser Block 407	507-28-6
4 Spring Coil Pallet Retainer	511-04
5 Orifice Cap GP Lft Blk	512-02-G
6 Orifice Cap GP Rt Blk	513-02-G
7 Pallet Bearing Pad Set	515-30
8 Harness, D23 Adapter	020002907
9 Pivot Pin Long	524-02
10 Fitting 1/4 Barb Outlet	555-30
11 Flow Control Base 464 #8	600-47-G
12 Cylinder	602-02
13 Syrup Piston	603-02
14 Spring Flow Control 7 Coil	605-01
15 Retainer Plate 6-32	610-04
16 Flow Rate Adjustment 464GP	643-00
17 FRP Dual Solenoid	770-D24

Miscellaneous - Brackets, Screws, etc.

18 Screw 4-40x1	020003478
19 Screw 4-40x5/8	510
20 O-ring 010	543
21 Screw #8 X 5/8 Ph Hi-Lo 18-8	020001284
22 Nut Push 1/8 Galv	020002594

464-CSY-D24 (464 SYRUP/SYRUP VALVE)



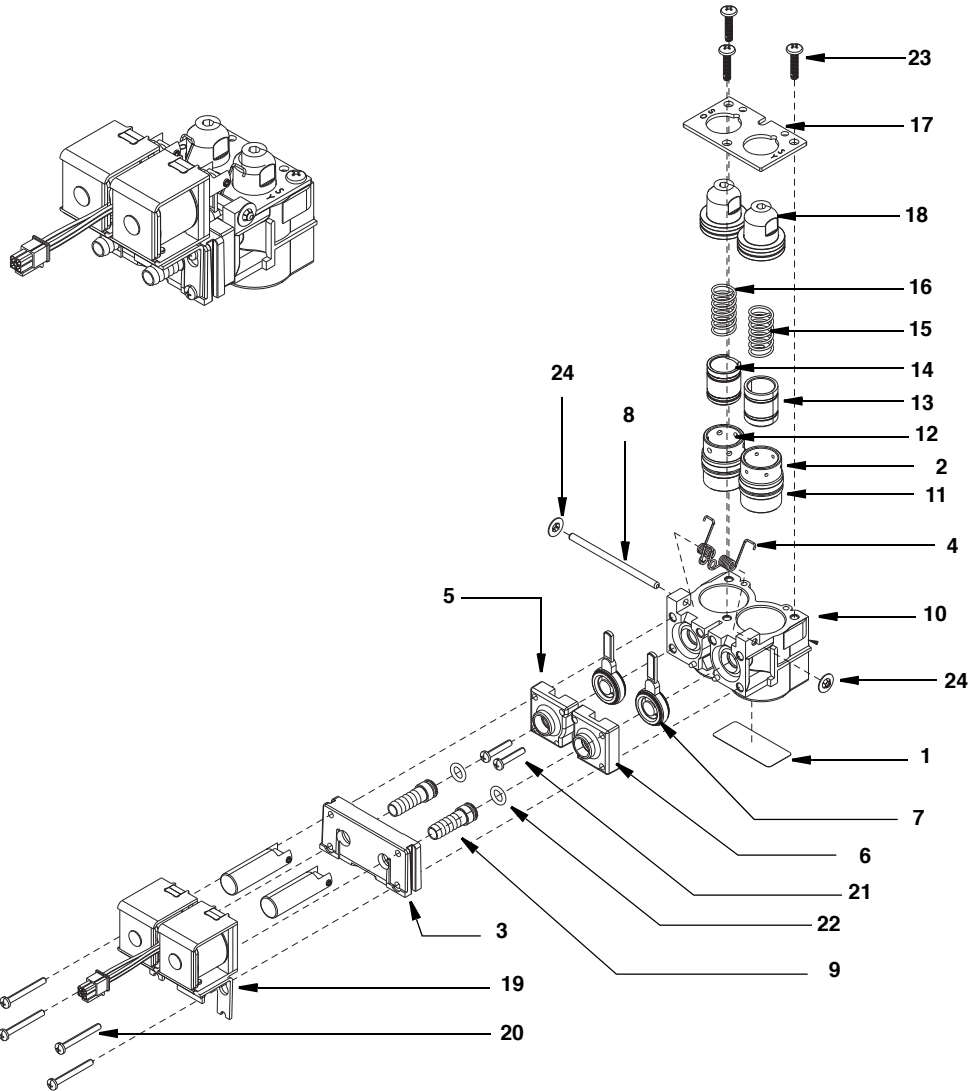
DESCRIPTION

DESCRIPTION	PART NO.
1 Tag Flo Blank	5012603
2 O-ring Sleeve	5028273
3 Diffuser Block 407	507-28-6
4 Spring Coil Pallet Retainer	511-04
5 Orifice Cap GP Lft Blk	512-02-G
6 Orifice Cap GP Rt Blk	513-02-G
7 Pallet Bearing Pad Set	515-30
8 Pivot Pin Long	524-02
9 Fitting 1/4 Barb Outlet	555-30
10 Flow Control Base 464 #8	600-47-G
11 Cylinder	602-02
12 Syrup Piston	603-02
13 Spring Flow Control 7 Coil	605-01
14 Retainer Plate 6-32	610-04
15 Flow Rate Adjuster 464GP	643-00
16 FRP Dual Solenoid	770-D24

Miscellaneous - Brackets, Screws, etc.

17 Screw 4-40x1	020003478
18 Screw 4-40x5/8	510
19 O-ring 010	543
20 Screw #8 X 5/8 Ph Hi-Lo 18-8	020001284
21 Nut Push 1/8 Galv.	020002594

464-GP-D24 (464 WATER/SYRUP VALVE)



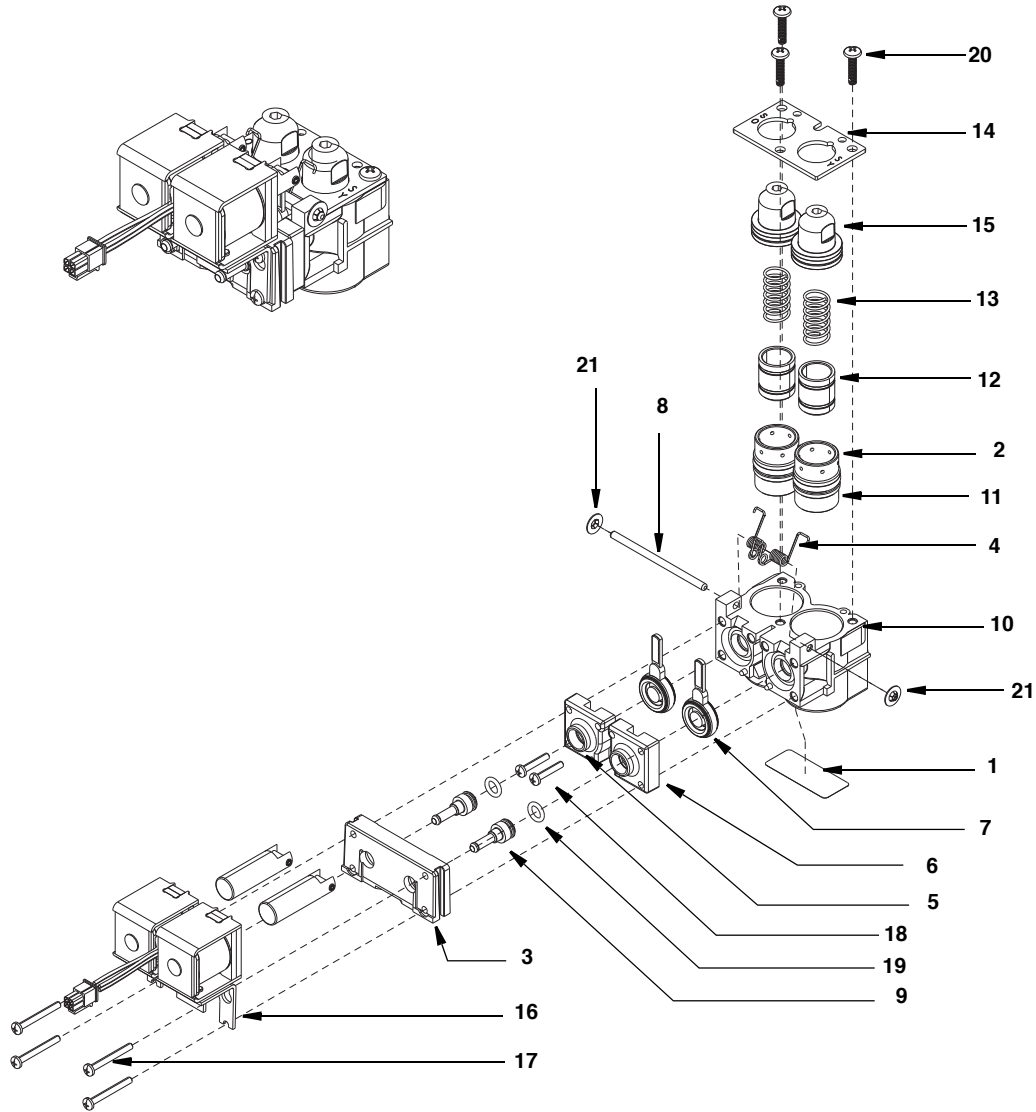
DESCRIPTION

DESCRIPTION	PART NO.
1 Tag Flo Blank	5012603
2 O-ring Sleeve	5028273
3 Diffuser Block 407	507-28-6
4 Spring Coil Pallet Retainer	511-04
5 Orifice Cap GP Lft Blk	512-02-G
6 Orifice Cap GP Rt Blk	513-02-G
7 Pallet Bearing Pad Set	515-30
8 Pivot Pin Long	524-02
9 Fitting 1/4 Barb Outlet	555-30
10 Flow Control Base 464 #8	600-47-G
11 Cylinder	602-02
12 Cylinder HF	602-03
13 Syrup Piston	603-02
14 Soda Piston GP	604-04-G
15 Spring Flow Control 7 Coil	605-01
16 Spring Flow Control HF Soda	605-02
17 Retainer Plate 6-32	610-04
18 Flow Rate Adjuster 464GP	643-00
19 FRP Dual Solenoid	770-D24

Miscellaneous - Brackets, Screws, etc.

20 Screw 4-40x1	020003478
21 Screw 4-40x5/8	510
22 O-ring 010	543
23 Screw #8 X 5/8 Ph Hi-Lo 18-8	020001284
24 Nut Push 1/8 Galv	020002594

464-CSY-D24-SP (464 SYRUP/SYRUP VALVE)



DESCRIPTION

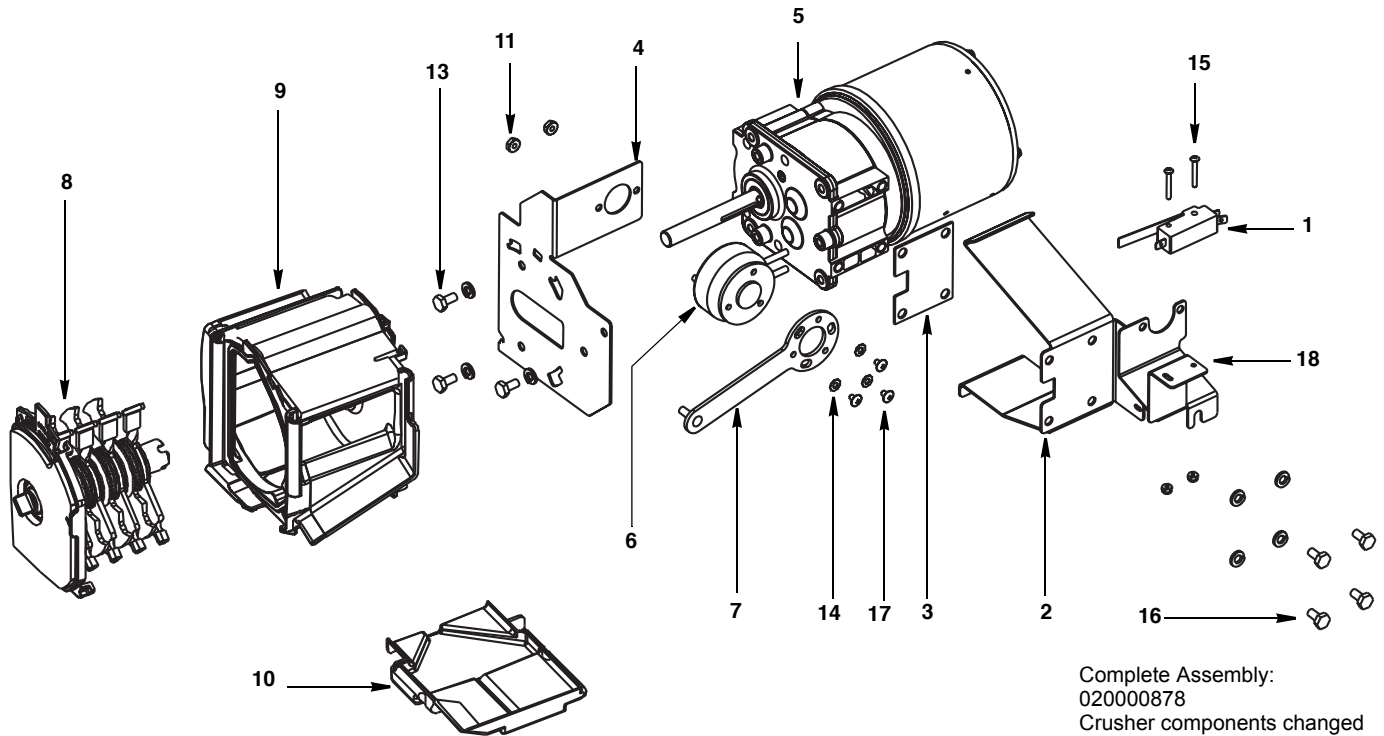
1	Tag Flo Blank	5012603
2	O-ring Sleeve	5028273
3	Diffuser Block 407	507-28-6
4	Spring Coil Pallet Retainer	511-04
5	Orifice Cap GP Lft Blk	512-02-G
6	Orifice Cap GP Rt Blk	513-02-G
7	Pallet Bearing Pad Set	515-30
8	Pivot Pin Long	524-02
9	Fitting 407 In-line	555-28
10	Flow Control Base 464 #8	600-47-G
11	Cylinder	602-02
12	Syrup Piston	603-02
13	Spring Flow Control 7 Coil	605-01
14	Retainer Plate 6-32	610-04
15	Flow Rate Adjustment 464GP	643-00
16	FRP Dual Solenoid	770-D24

PART NO.

Miscellaneous - Brackets, Screws, etc.

17	Screw 4-40x1	020003478
18	Screw 4-40x5/8	510
19	O-ring 010	543
20	Screw #8 X 5/8 Ph Hi-Lo 18-8	020001284
21	Nut Push 1/8 Galv.	020002594

GEN I CRUSHER ASSEMBLY

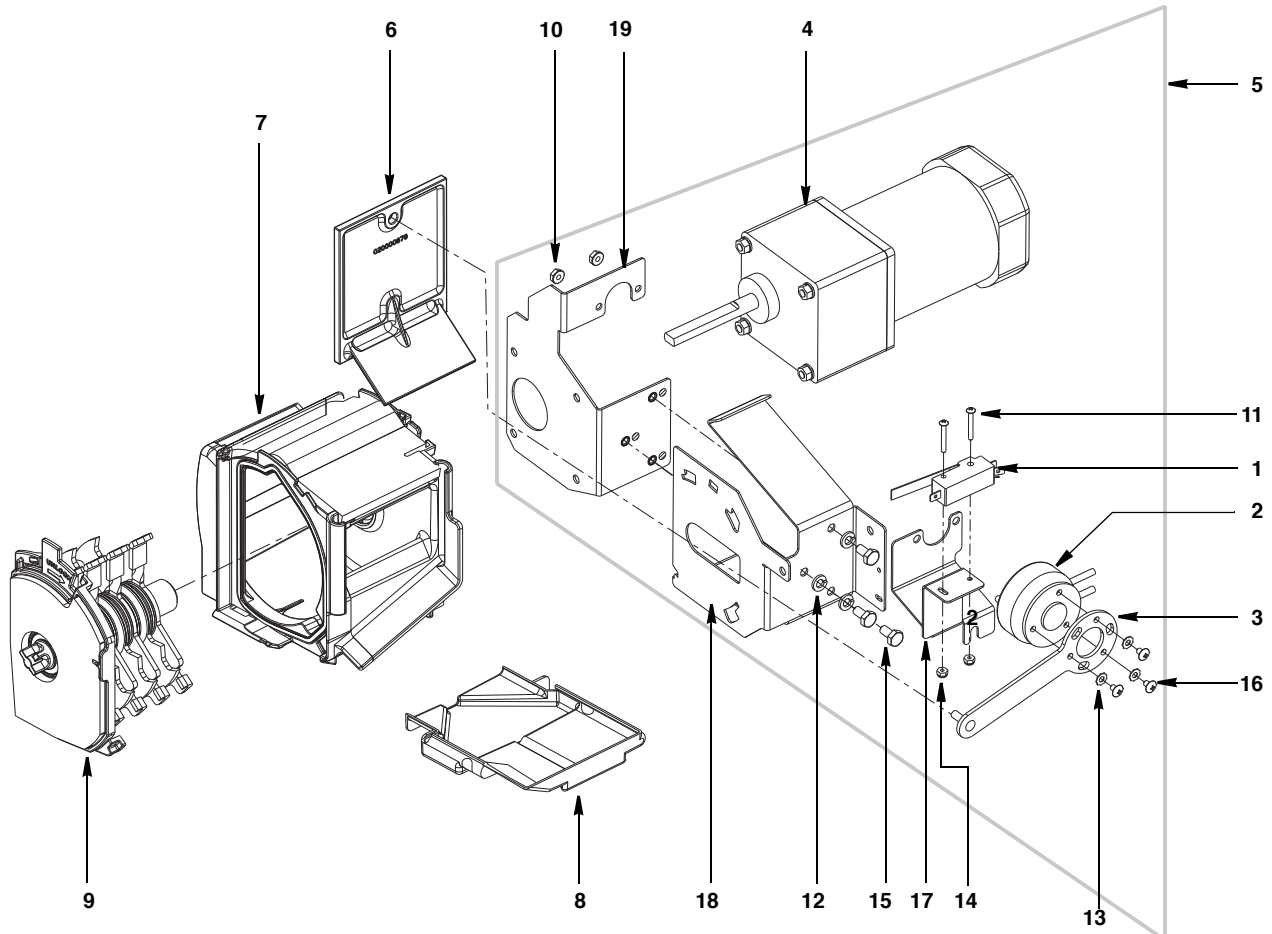


Complete Assembly:
02000878
Crusher components changed
to Linix Motors starting with
serial numbers:
#610090050 & up

DESCRIPTION

	DESCRIPTION	PART NO.
1	Microswitch	1000703
2	Motor Mount	5031264
3	Motor Gasket	5031267
4	Housing Mount	5031281
5	Motor ED-8110-1	5031369
6	Rotary Solenoid	5031370
7	Arm Rotary Solenoid	5031615
8	Blade / Hub Assembly	5031408
9	Housing	020001026
10	Drip Pan	020001361
Miscellaneous - Brackets, Screw, etc.		
11	Nut 10-32 Hex W/lock	00850705
12	Screw 6-32 X 1" SS Ph Rhms	0900901
13	Washer Lock 1/4in SS	0901904
14	Washer Star #8 SS	0901915
15	Screw 6-32 Esna SS	0902304
16	Bolt 1/4-20 Esna SS	5007377
17	Screw 8-32 X 1/4" Ph Ps	5012081
18	Bracket Microswitch Ext	5031835

GEN II LINIX CRUSHER ASSEMBLY



Complete Assembly:
020003087
Crusher components changed
to Linix Motors starting with
serial numbers:
#610090050 & up

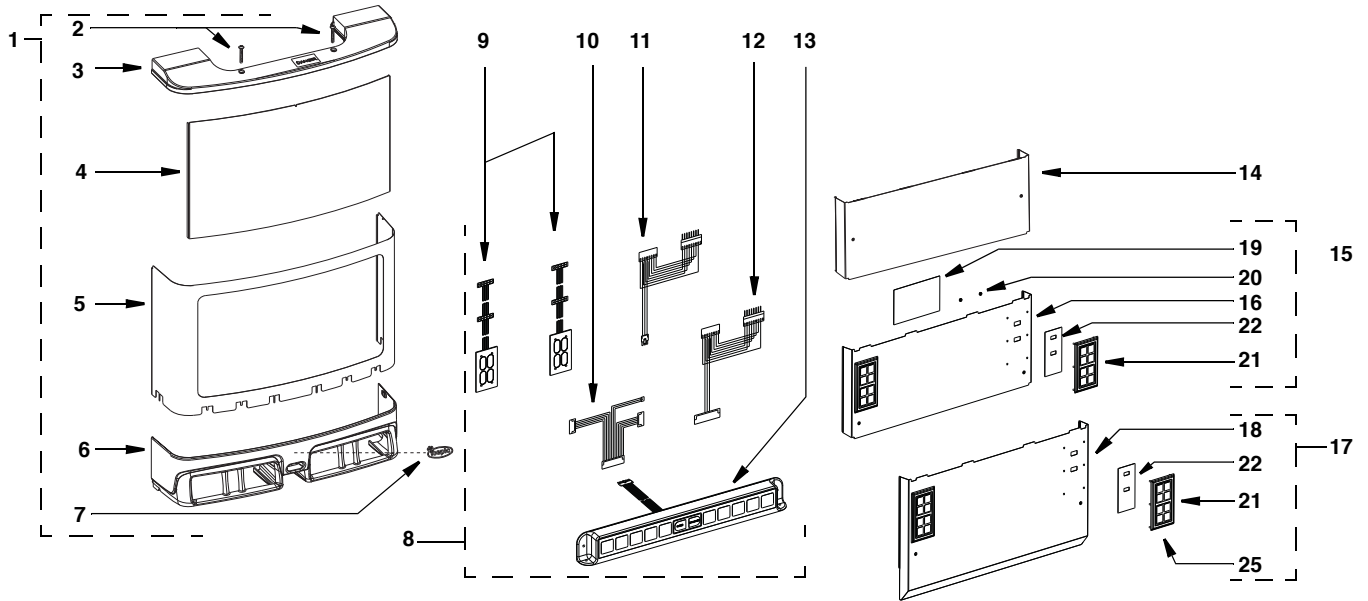
DESCRIPTION

DESCRIPTION	PART NO.
1 Microswitch.....	1000703
2 Solenoid Rotary.....	5031370
3 Arm Solenoid Rotary.....	5031615
4 Motor Linix.....	020002708
5 FRP Motor Assembly.....	020002939
6 Door Crushed Ice.....	020000879
7 Housing.....	020001026
8 Drip Pan.....	020001361
9 Blade / Hub.....	020003648

Miscellaneous - Brackets, Screw, etc.

10 Nut 10-32 Hex W/lock.....	00850705
11 Screw 6 - 32 X 1" SS Ph Rhms.....	0900901
12 Washer Lock 1/4" SS.....	0901904
13 Washer Star #8 SS.....	0901915
14 Screw 6-32 ESNA SS.....	0902304
15 Bolt 1/4-20 ESNA SS.....	5007377
16 Screw 8-32 1/4" Ph PS.....	5012081
17 Bracket Microswitch Ext.....	5031835
18 Bracket Crusher Motor Mount Front.....	020002954
19 Bracket Crusher Motor Mount Back.....	020003011

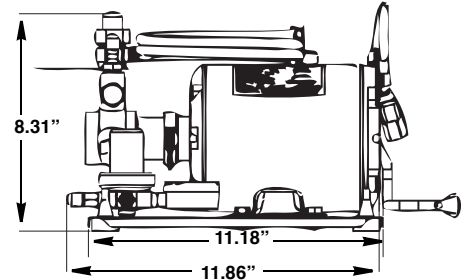
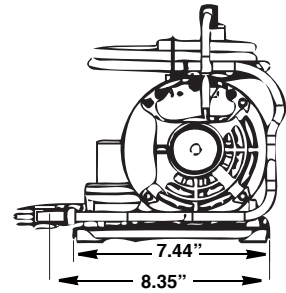
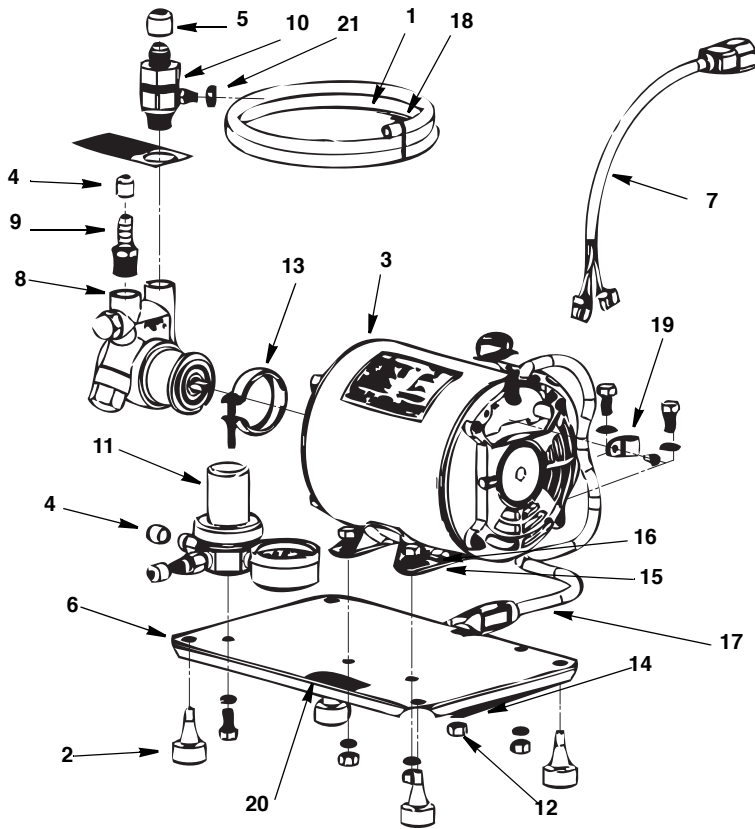
FRP-250 & FRP-250SCI MERCHANDISER, SPLASH PANEL & ADA PARTS



DESCRIPTION

1	Merchandiser Complete Assembly	020002037
2	Screw - 8/32	5007698
3	Merchandiser Top	020000340
4	Medallion	
a.	Clear	020002073
b.	Clear CE	020002239
c.	Taco Bell	020000588
d.	Viva Variety	020000612
e.	KFC	020001458
f.	Generic Flav'R-Pic	020001983
g.	Flav'R-Pic (Non-SCI)	020002275
h.	Walgreen's	020002057
i.	Pepsi International	020002213
j.	Quench	020002214
k.	Coke	020002215
l.	Opaque	020002216
5	Merchandiser Middle Medallion Area SS	020001754
6	Merchandiser Lower	020001756
7	Icepic Label	020002124
8	Complete ADA FRP FS/SCI w/Box & Harnesses	020004090
9	Keypad Flavor Shot FRP ADA	020003892
10	Harness FRP FS ADA	020003891
11	Harness Adapter ADA SCI	020003890
12	Harness SCI ADA	020003893
13	Box Control ADA Product/SCI/FS	
14	Standard Splash Panels	
a.	FRP-250 & FRP-250SCI (w/ Drain Pan)	020002127
b.	FRP-250 & FRP-250SCI (w/o Drain Pan)	020002812
c.	FRP-250 TB (w/o Drain Pan)	020002638
15	Complete ADA Standard Splash Panel Assembly	
a.	Splash Panel Formed TB ADA	020003642
b.	Splash Panel Standard Formed ADA	020004070
16	ADA Standard Splash Panel Only	
a.	TB Formed ADA	020003307
b.	Standard Formed ADA	020004067
17	Complete ADA Deep Extended Splash Panel Assembly	
a.	Splash Panel Formed TB Welded ADA	020005331
b.	Splash Panel Standard Formed ADA	020004112
18	ADA Deep Extended Splash Panel Only	
a.	TB Welded ADA	020003296
b.	Standard Formed ADA	020004111
19	Label Cleaning Instructions Note	0301207
20	Nut 6-32 Hex W/lock	00850701
21	Keypad/Harness Assembly ADA	020003715
22	Keypad Gasket ADA	020003285
23	ADA Kit FRP Harness/Keypad With Flavor Shot	020003730
24	ADA Kit FRP Harness/Keypad Without Flavor Shot	020003731
25	ADA Flavor Labels (not shown)	020003314

MCCANN'S 115V & 220V PUMP DECK

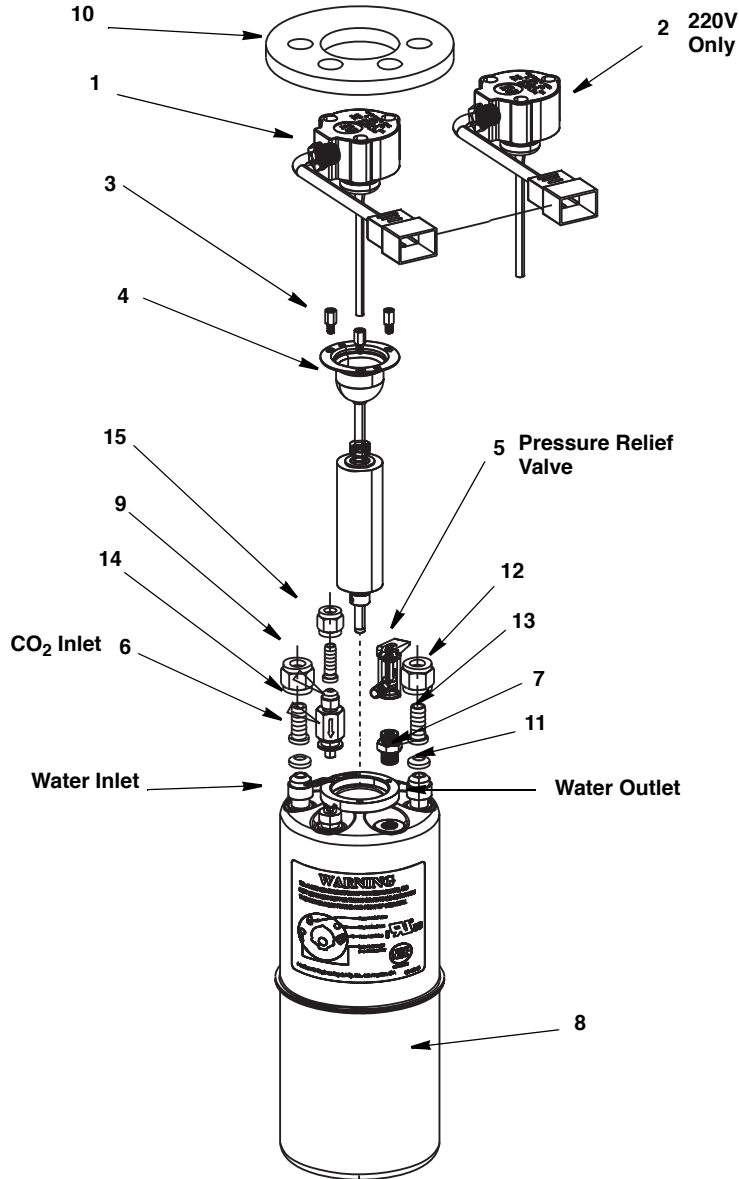


15-3120
15-3198

DESCRIPTION

1	Tubing, 1/4 I.d. X 3/8 O.D., Clear, Cut 6 ft.	01-1897
2	Foot, Snap-In	10-1605
3	Motor	
a.	115V, 1/3 hp	10-1649
b.	220V, 1/3 hp	10-0601
4	Plug, Cap, VC-375-8, Black	10-1877
5	Cap Plug, VC-600-8, Black, Vinyl	10-2006
6	Base, Carbonator	14-5311
7	Cord, Male Plug, IEC 60320	020000792
8	Pump, Brass, Rotary Vane, 125 Gph	16-0165
9	Fitting, 3/8 Barb X 3/8 Mnpt	19-0589
10	ASSE 1022, Backflow Preventer	19-0897
11	Regulator, 75 PSI Preset With Gauge	99-1124
Miscellaneous - Brackets, Screw, Etc.		
12	Nut, Hex, 5/16-18, Zinc Plated	00-1077
13	Clamp, V-band, Carbonator	00-1222
14	Washer, Lock, 5/16, Split, Zinc Plated	10-0258
15	Washer, Lock, 5/16, External Tooth, Zinc Plated	10-0290
16	Bolt, 5/16 X 5/8 Hex Head	10-0555
17	115V Motor Cord (Not on 220V Motor)	5030670
18	Wire Tie, Twister, 5" Long	10-1181
19	Clamp, 3/8 I.D., Nylon, Natural, Cable	10-1429
20	Pump Deck Label	
a.	115V, 125 GPH	10-1649
b.	220V, 125 GPH	10-0601
21	Clamp, 13/32 I.D., Oetiker, Stepless, No. 10.5-505R	10.5-505R

MCCANN'S VERTICAL CARB TANK



43-1600-10
43-1602

DESCRIPTION

1 Assembly Probe 115V	
a. Probe Spare Parts Kit	16-1404
b. Driving Solenoid 115V Electrical, Black Cap	16-2115-41
2 Assembly Probe 220V	
a. Probe Spare Parts Kit	16-1406
b. Driving Solenoid 220V Electrical, Black Cap	16-2220-41
3 Probe Stud	09-1877
4 Probe Float Ring Assembly - 115v/220V	15-1951
5 Pressure Relief Valve - 125 psi with Barb	19-0898
6 Carbonator Single Check Valve - 1/4 Male Flare	00-0868
7 Fitting - .125 NPT X PRV, S.S. Adapter	19-0934
8 Carbonator Assembly - 10" Weld	15-3162
9 Fitting, 1/4 In. Swivel Hose Barb	1701109
10 Insulated Domed Carb	10-2005

Miscellaneous - Brackets, Screw, Etc.

11 Washer, 3/8" Nylon White	1701115
12 Nut, 3/8 X 9/16 In. Swivel Fitting	1701110
13 Swivel Fitting, 1/4 In. 3/8" Barb	5009025
14 Washer, 1/in. Nylon White	1701113
15 Nut, 1/4 X 3/8 In. Swivel Fitting	1701108