



EJ1 JET SPRAY

Single-Flavor, Visual-Display Dispenser



Features

- Eight gallon (30 liter) capacity
- Ideal for high-volume, quick service operations
- Only 16" (40.5 cm) wide – maximum profit from a minimum space
- With available circulators can dispense a wide variety of beverages even natural juices that are not suited for spraying
- Self merchandising visual display creates impulse sales
- Available extension legs and tall cup kit can raise unit 4" (10.2 cm) while lowering drip tray...accommodates a cup size up to 64 oz....allows easy cleaning
- Backed by a worldwide service network

SPECIFICATIONS

DESCRIPTION

Model	EJ1	EJ1-W25 (Export)	EJ1-W26 (Export)
Volts	115V 60 Hz	220/240V 50 Hz	220V 60 Hz
Watts	575	575	575
Amps	5.0	2.5	2.5

DISPENSER DIMENSIONS

Height	25½" (64 cm)
Width	16" (41 cm)
Depth	18" (46 cm)

BEVERAGE BOWL & COVER

Transparent, virtually unbreakable LEXAN® resin

BOWL DIAMETER 20" (50.8 cm)

CABINETRY

White plastic and stainless steel

BEVERAGE CAPACITY

8 U.S. gallons (30 liters)

REFRIGERATION

Jet Spray 1/4 h.p. hermetically sealed system R134A

NET WEIGHT 58 lbs. (26 kg)

SHIPPING WEIGHT

Bowl	13 lbs. (6 kg)
Base	59 lbs. (27 kg)

CARTON VOLUME

Bowl	4.0 cu.ft. (0.112 cu.m.)
Base	3.8 cu.ft. (0.11 cu.m.)

AGENCY LISTINGS



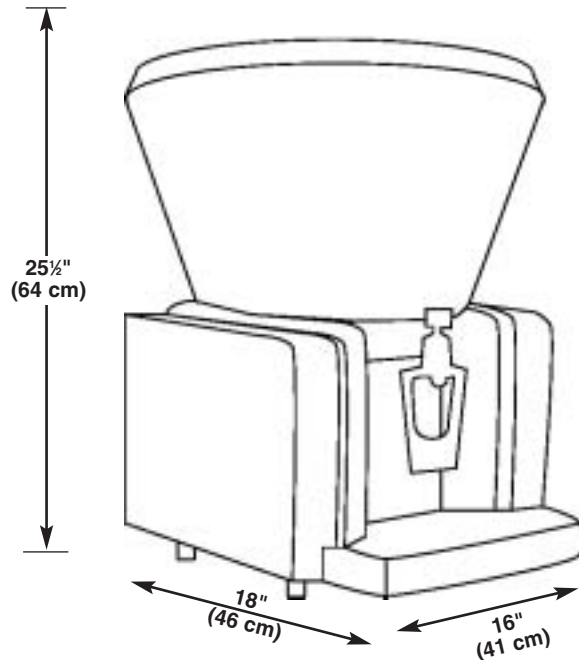
ACCESSORIES



- Circulator adds flexibility for products not suited for spraying. Replace spray system with easy-to-insert device.
- Locking device prevents unauthorized use of dispenser when unattended.



- "Non-cup contact" push handle replaces the standard handle to meet all hygiene and sanitary requirements.
- 4" (10.2 cm) Extension legs available where required.



For more information or to place an order, contact your sales representative or authorized distributor.

In the US:
 Phone: 1-800-238-3600
 Fax: 1-800-535-4235
Outside the US:
 Phone: 1-763-421-6120
 Fax: 1-763-422-3297

IMI Cornelius Inc.
 One Cornelius Place
 Anoka, MN 55303-6234
 USA