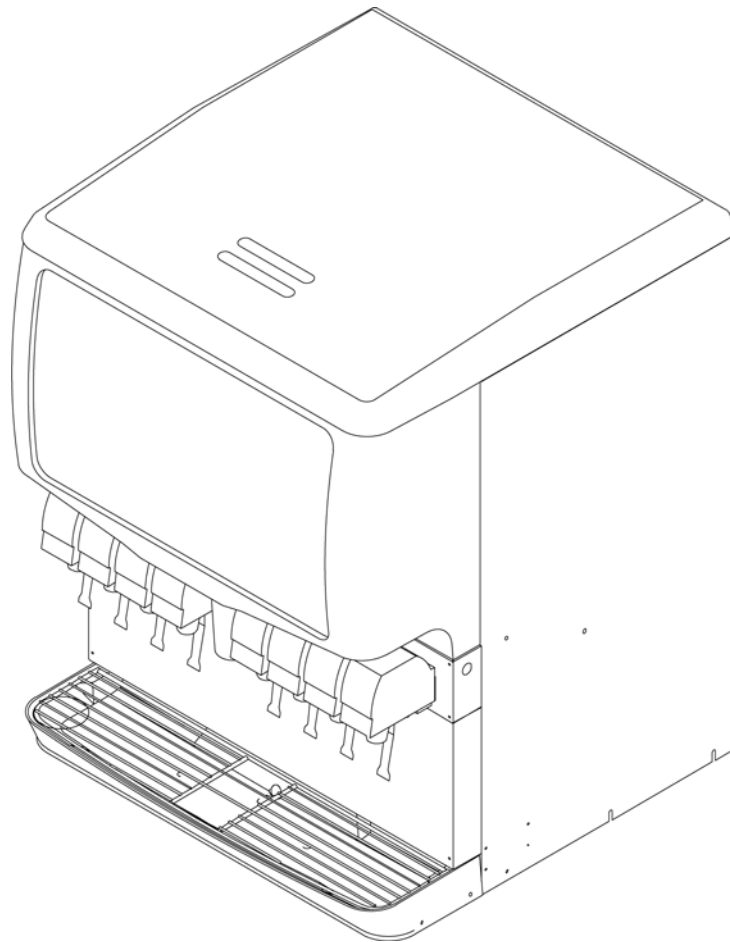




ILLUSTRATED PARTS LIST

ENDURO - 200/250



Publication Number: 92108IPL

Revision Date: August 3, 2010

Revision: F

Visit the IMI Cornelius web site at www.cornelius.com for all your Literature needs.

The products, technical information, and instructions contained in this manual are subject to change without notice. These instructions are not intended to cover all details or variations of the equipment, nor to provide for every possible contingency in the installation, operation or maintenance of this equipment. This manual assumes that the person(s) working on the equipment have been trained and are skilled in working with electrical, plumbing, pneumatic, and mechanical equipment. It is assumed that appropriate safety precautions are taken and that all local safety and construction requirements are being met, in addition to the information contained in this manual.

This Product is warranted only as provided in Cornelius' Commercial Warranty applicable to this Product and is subject to all of the restrictions and limitations contained in the Commercial Warranty.

Cornelius will not be responsible for any repair, replacement or other service required by or loss or damage resulting from any of the following occurrences, including but not limited to, (1) other than normal and proper use and normal service conditions with respect to the Product, (2) improper voltage, (3) inadequate wiring, (4) abuse, (5) accident, (6) alteration, (7) misuse, (8) neglect, (9) unauthorized repair or the failure to utilize suitably qualified and trained persons to perform service and/or repair of the Product, (10) improper cleaning, (11) failure to follow installation, operating, cleaning or maintenance instructions, (12) use of "non-authorized" parts (i.e., parts that are not 100% compatible with the Product) which use voids the entire warranty, (13) Product parts in contact with water or the product dispensed which are adversely impacted by changes in liquid scale or chemical composition.

Contact Information:

To inquire about current revisions of this and other documentation or for assistance with any Cornelius product contact:

www.cornelius.com

800-238-3600

Trademarks and Copyrights:

This document contains proprietary information and it may not be reproduced in any way without permission from Cornelius.

Printed in U.S.A.

Copyright © 2004-2010, All rights reserved, IMI Cornelius Inc.

CABINET

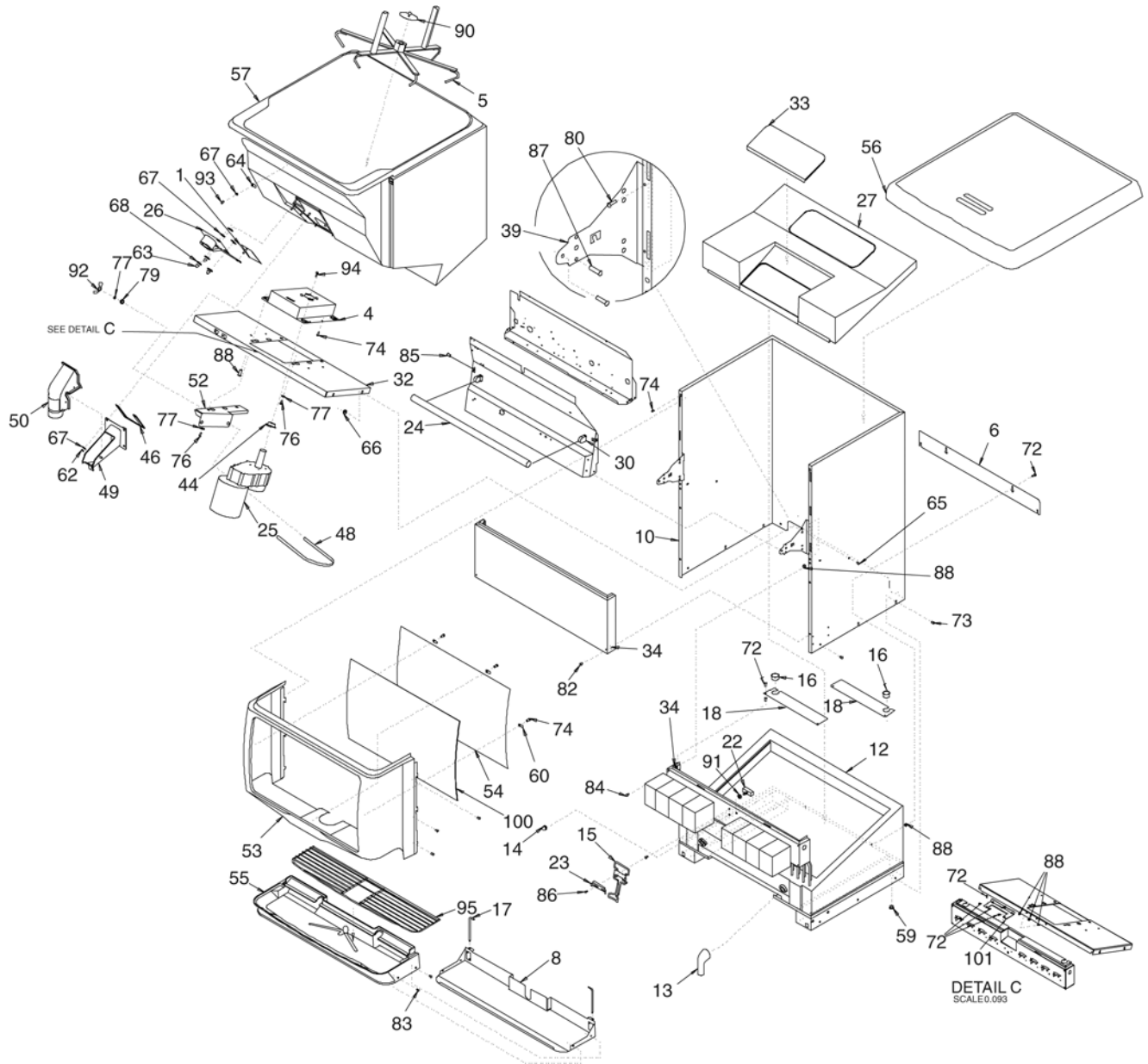


Figure 1. Cabinet Section Exploded View

Item No.	Part No.	Description
1	21491	Slide, Gate
2	22081R	Restrictor, Gate
3	Not Used	
4	29541R	Plate, Motor Mount
5	29694	Agitator
6	29555	Cover, Rear Wrapper
7	629080208 629080204	Panel, Lower Front (For Drip Tray) Panel, Lower Front (Z Model)
8	620028702 15093	Support, Drip Tray (Use for units built after 11/15/98. Serial number cut off: DF – ZRM1013131 and ED – 62A9841ED343) Sink Extension (Use for units built before 11/15/98)
9	29540R	Cabinet 200
10	Not Used	
11	29547	Cabinet 250
12	Not Used	
13	Contact Sales	Panel/Cold Plate/Valve Ass'y
14	53011	Fitting, Cold Plate



15	31007	Boot, Switch	50	620500901	Ice Chute
16	15500	Dispense Lever, Short (Cup Activated)	51	53168	Ice Chute Cover
	15488	Dispense Lever, Long (Cup Activated)	52	Not Used	
	15502	Push Lever Ice Dispense	53	15132 620052843	Motor Mount, 220-240V Motor Mount, 120V
17	50767	Snap Bushing	54	53001 53000 52912 52911 15754 15755 620011505	Merchandiser, Gray (ED250) Merchandiser, Gray, (ED200) Merchandiser, Black, (ED250) Merchandiser, Black, (ED200) Merchandiser, S.S., (ED250) Merchandiser, S.S., (ED200) Merchandiser, S.S., (For Lid & Straw Holder ED250)
18	10145	Pin, Drip Tray		620011509	Merchandiser, S.S., (For Lid & Straw Holder ED200)
19	15090	Baffle, Beverage Panel		620011506	Merchandiser, S.S., (For Medallion ED250)
20	Not Used			620011510	Merchandiser, S.S., (For Medallion ED200)
21	Not Used			620011507	Merchandiser, S.S., (For Low Ice Light ED250)
22	30794 32826	Agitator Motor Heater 120 Volt Agitator Motor Heater 220-240 Volt		620011511	Merchandiser, S.S., (For Low Ice Light ED200)
23	02070	Dispense Switch Kit (Includes switch #14, boot #22, spacer #91)	55	52950 52949	Panel, Inner, ED250 White Lens, ED200
24	27107	Retainer, Ice Dispense lever	56	53211 53210	Drip Tray, Gray, Insulated Drip Tray, Black, Insulated
25	31928	Bulb, Florescent	57	53018 52909	Lid, Dispenser, Gray Lid, Dispenser, Black
26	620314922 33404 620048092	Agitator Motor 120 Volt (Use for units beginning with serial number 62A0540ED248) Agitator Motor 220-240 Volt Capacitor, 250V 20mfd.	58	52960 53292 52916 53290	Hopper Assy, Insulated (ED250) Hopper Foamed Assy, Non Cold-plate (ED250) Hopper Assy, Insulated (ED200) Hopper Foamed Assy, Non Cold-plate, Insulated (ED200)
27	32954 33409	Solenoid Ass'y 120 Volt Solenoid Ass'y 220-240 Volt	59	Not Used	
28	53268	Cover, Foamed Cold Plate	60	52967	Plug, Foot
29	Not Used		61	52972	Tab, Retaining
30	Not Used		62	Not Used	
31	620302501 620302502 620310201 620310202	Electrical Box Ass'y, 120V (ED 200 Models) Electrical Box Ass'y, 120V (ED 250 Models) Electrical Box Ass'y, 220-240V (ED 200 Models) Electrical Box Ass'y, 220-240V (ED 250 Models)	63	70016	Hex Nut, No. 10-32
32	Not Used		64	70017	Hex Nut, No. 10-32, Nyloc
33	29542	Bracket, Motor Mount	65	53299	Tab, Retaining
34	53255	Cover, Access (Cold Plate)	66	70242	Screw, No. 10-32 By 3/8-In. Long
35	71010	Washer, Captivating No. 8	67	70015	Hex Nut, No. 10-32, Keps
36	Not Used		68	70056	Washer, No. 10
37	Not Used		69	70067	Washer, 7/32 I.D. x 7/8 O.D. x 3/64 Thk Plated
38	Not Used		70	Not Used	
39	Not Used		71	Not Used	
40	620019701	Hinge Gusset	72	Not Used	
41	Not Used		73	70171	Screw, No. 8-32 By 3/8-In. Long
42	Not Used		74	70178	Screw, No. 8-32 By 1/2-In. Long
43	Not Used		75	70204	Screw, No. 8 By 1/2-In. Long
44	Not Used		76	Not Used	
45	53199	Seal, Motor	77	71033	Screw, 3/8-16 By 3/4-In. Long
46	Not Used		78	70068	Washer, 3/8 I.D. x 11/16 O.D. x .070 Thk
47	51891	Gasket, Gate			
48	***51908	Plug			
49	71025 620516432	Strap, Motor, 220-240V Strap, Motor, 120V			



79	Not Used	
80	71061	Washer, 7/16 I.D. x 1 1/8 O.D. x .063 Thk
81	70320	Pop Rivet, 1/8 Dia.
82	70341	Spring, Motor Heater
83	71006	Screw, No. 8-32 By 1 1/8-In. Long
84	70478R	Clip, Push-on
85	70555	Screw, No. 8-32 By 2 5/8-In. Long
86	620022801	Brace, Reflector

87	620701601	Sheet Metal Screw, No. 10 By 1/2-In. Long
88	70456	Pop Rivet, 3/16 Dia.
89	70959	Hex Nutsert, No. 8-32

NOTE: *Not Shown

*****For 220-240V Models, 51908
Plug Replaced by 620303001 Push
Button Switch Actuator and
620303002 Switch Block**



ELECTRICAL BOX ASSEMBLY

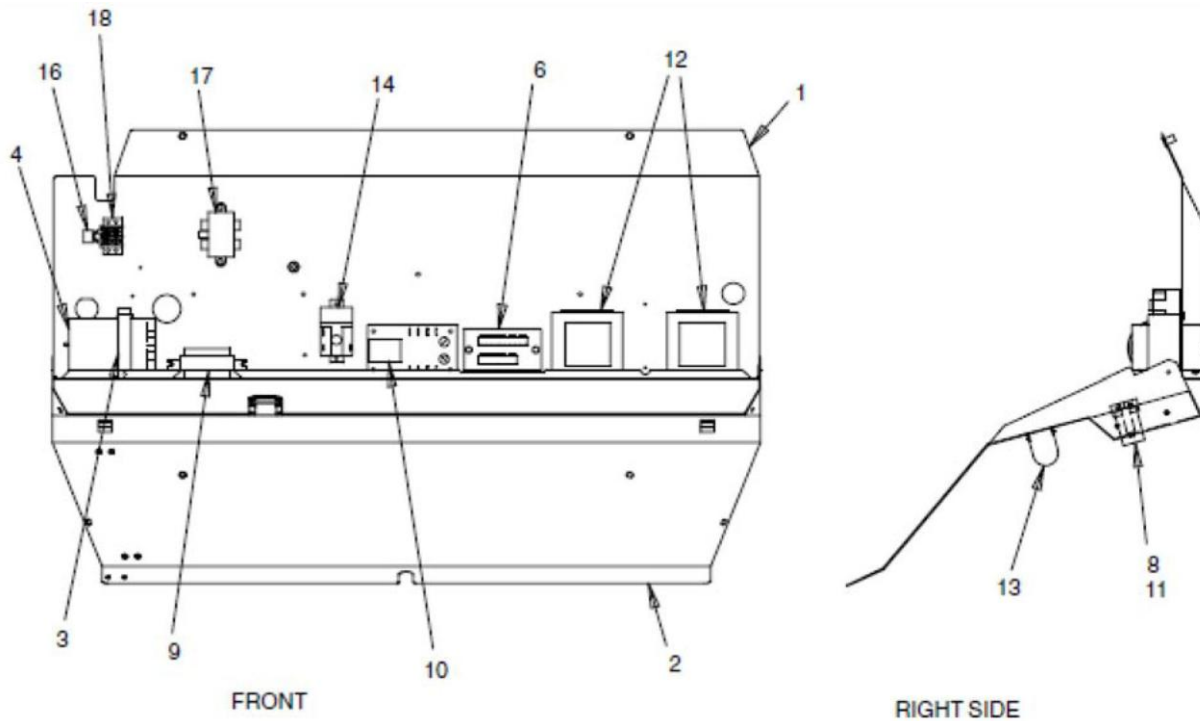


Figure 2. Electrical Box Assembly

Item No.	Part No.	Description
1	620022001 620020902	Electrical Box (ED250) Electrical Box (ED200)
2	620022101 620020901	Reflector Panel (ED250) Reflector Panel (ED200)
3	620021101	Clamp, Capacitor, 220-240V
4	33160R	Capacitor, Agitator Motor, 220-240V
5	30995 620302901	Power Cord, 120 Volts Power Cord, 220-240 Volts
6	30960 31107	Terminal Board, 120 Volts Terminal Board, 220-240 Volts
7	Not Used	
8	31620	Starter
9	31621 33662	Ballast, 120 Volts Ballast, 220-240 Volts

Item No.	Part No.	Description
10	629087448 629087451	Agitation Timer Kit, 120 Volts Agitation Timer Kit, 220-240 Volts
11	620302201	Socket, Starter
12	32682 32829R	Transformer, 120 Volts Transformer, 220-240 Volts
13	620302101	Lampholder
14	620306601	Relay, Start, 220-240 Volts
15	Not Used	
16	620304601	Varistor, 220-240 Volts
17	620307301	Filter, 220-240 Volts
18	32244	Terminal Strip, 220-240 Volts
19		
20		

SOLENOID ASSEMBLY

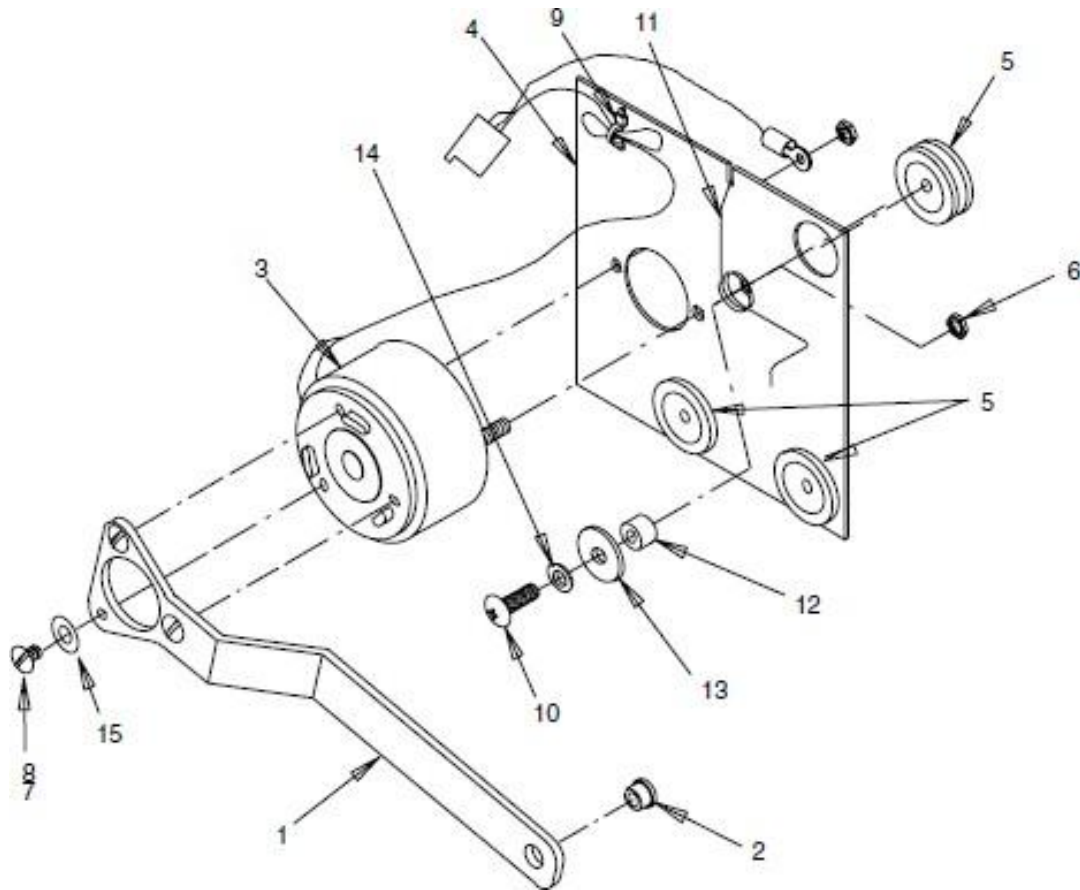


Figure 3. Solenoid Assembly

Item No.	Part No.	Description
1	28173	Arm, Gate Lift
2	50754	Bearing, Gate Arm
3	32957 33397	Solenoid, 120 Volts Solenoid, 220-240 Volts
4	28172	Plate, Solenoid Mounting
5	50752	Isolator
6	70015	Hex Nut, No. 10-32
7	51689	Loctite
8	70162	Screw, No. 8-32 By 1/4-In. Long
9	50705	Tie Cable

Item No.	Part No.	Description
10	70165	Screw, No. 8-32 By 5/8-In. Long
11	71007	Spring, Solenoid Arm
12	51348	Spacer
13	70067	Washer, .218 I.D. By .875 O.D.
14	70057	Lockwasher, No. 10
15	70052	Flatwasher, No. 8
*	70485	Gate Slide Spring (Attaches to gate lift arm on Solenoid Assy. Need Qty. 2.)

NOTE: * Not Shown



DRAIN

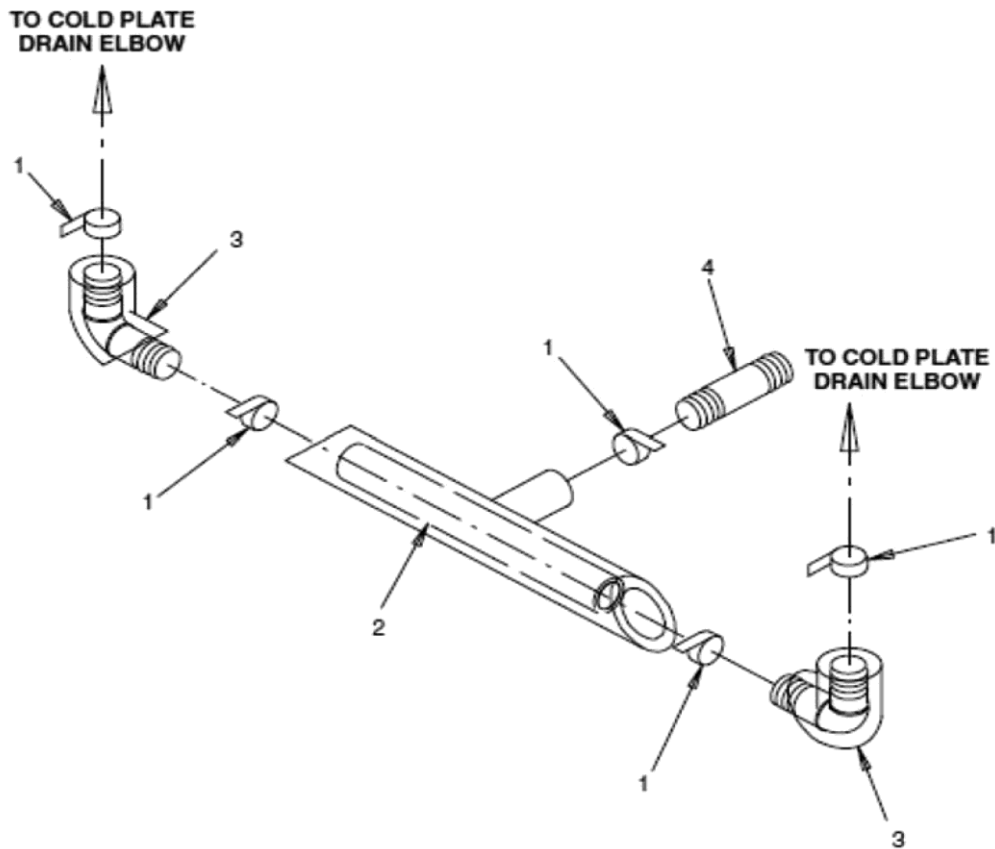


Figure 4. Drain for Z Style Units with Cold Plates

Item No.	Part No.	Description
1	70750	Hose Clamp 5
2	53169	Drain Tube 1
3	51280	Elbow 2
4	53293	Coupler 1
*	629080104	Kit Sink to Z Style DF200/250 (Z = no drip tray or cuprest. This kit removes tray and cup rest. Allows unit to sit on counter with built in tray and cup rest.)

Item No.	Part No.	Description
*	629080304	Kit Z Style to Sink DF200/250 Gray (Z = no drip tray or cup rest. This kit adds drip tray and cup rest to unit.)
*	629080303	Kit Z Style to Sink DF200/250 Black (Z = no drip tray or cup rest. This kit adds drip tray and cup rest to unit.)

NOTE: * Not Shown

COMPONENTS FOR FLAVOR UNITS

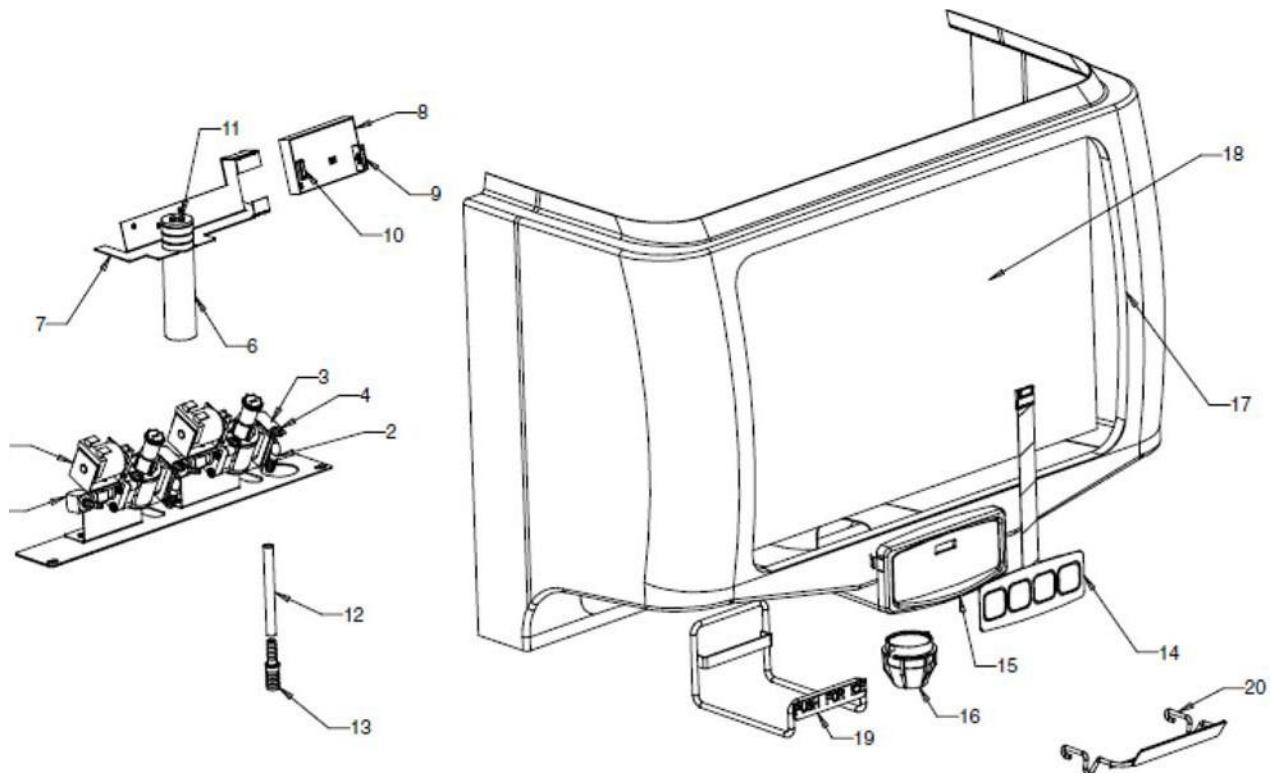


Figure 5. Components for Flavor Units

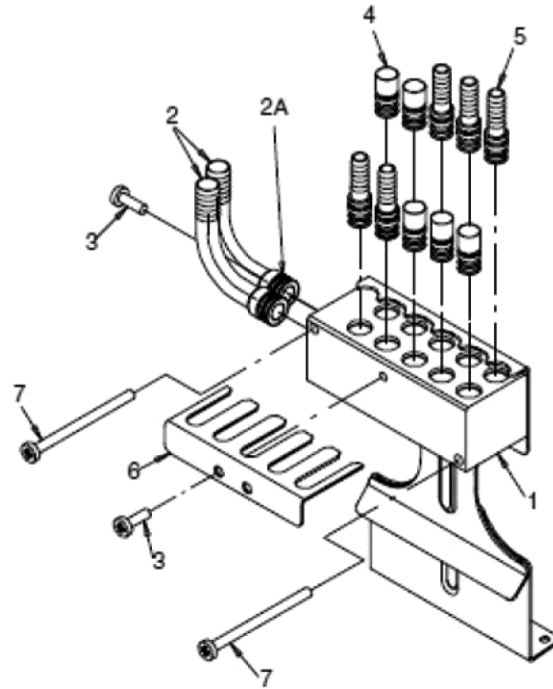
Item No.	Part No.	Description
1	2487	Flow control assembly
2	620709068	Fitting elbow 1/4 barb
3	620046335	Retainer valve
4	319941000	Screw tr 08-32 hxws
5	620718932	Fitting 90 swivel 1/8 barb
6	620715821	Inner nozzle
7	620052042	Nozzle bracket 200/250
8	620314823	PC Board
9*	620313657 620313658	Jumper PCB to keypad 4 fl Jumper PCB to keypad 2 fl
10*	620316443 620316442	Harness solenoid 4 fl Harness solenoid 2 fl
11*	770000119	Tubing syrup 1/8 id

Item No.	Part No.	Description
12	50299	Tubing bev 265 id x 465 od
13	77040700	Fitg splicer 1/4 x 3/8
14	620313239	Membrane switch 4 button
15	620516527	Housing – keypad/nozzle
16	1945	Outer nozzle
17	620519217 620519212 620519213 620519214	Merch FlavorBlast, ED200 blk Merch FlavorBlast, ED200 gry Merch FlavorBlast, ED250 blk Merch FlavorBlast, ED250 gry
18	620920066 620920067	Graphic FlavorBlast, ED200 Graphic FlavorBlast, ED200
19	620709313	Ice lever FlavorBlast, push bar
20	620516221	Splashshield FlavorBlast

NOTE: * Not Shown



WATER MANIFOLD ASSEMBLY



Item No.	Part No.	Description
1	620407726	Manifold Flex
2	620709065	Fitg Elbow 1/2 X 3/8 Brb
2A	100057	O-ring
3	70204	Screw Sm #8 X 1/2
4	620519005	Plug 3/8 w/O-ring
5	620709066	Fitg Straight 3/8 X 1/4 Brb

Item No.	Part No.	Description
6	620046316	Retainer Clip
7	620706632	Screw TRPH #8-18 X 2 Waxed
*	620711913	Insulation Block, RH
*	620711914	Insulation Block, LH
*	620715408	Hook and Loop Fastener

NOTE: * Not Shown

IMI Cornelius Inc.
www.cornelius.com

