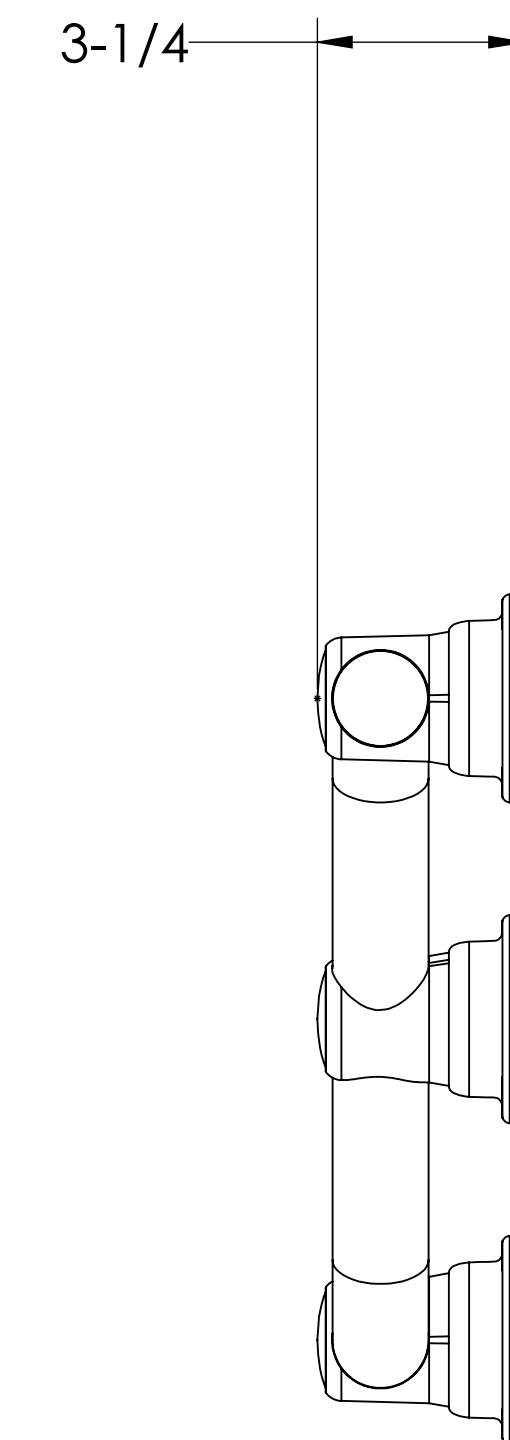
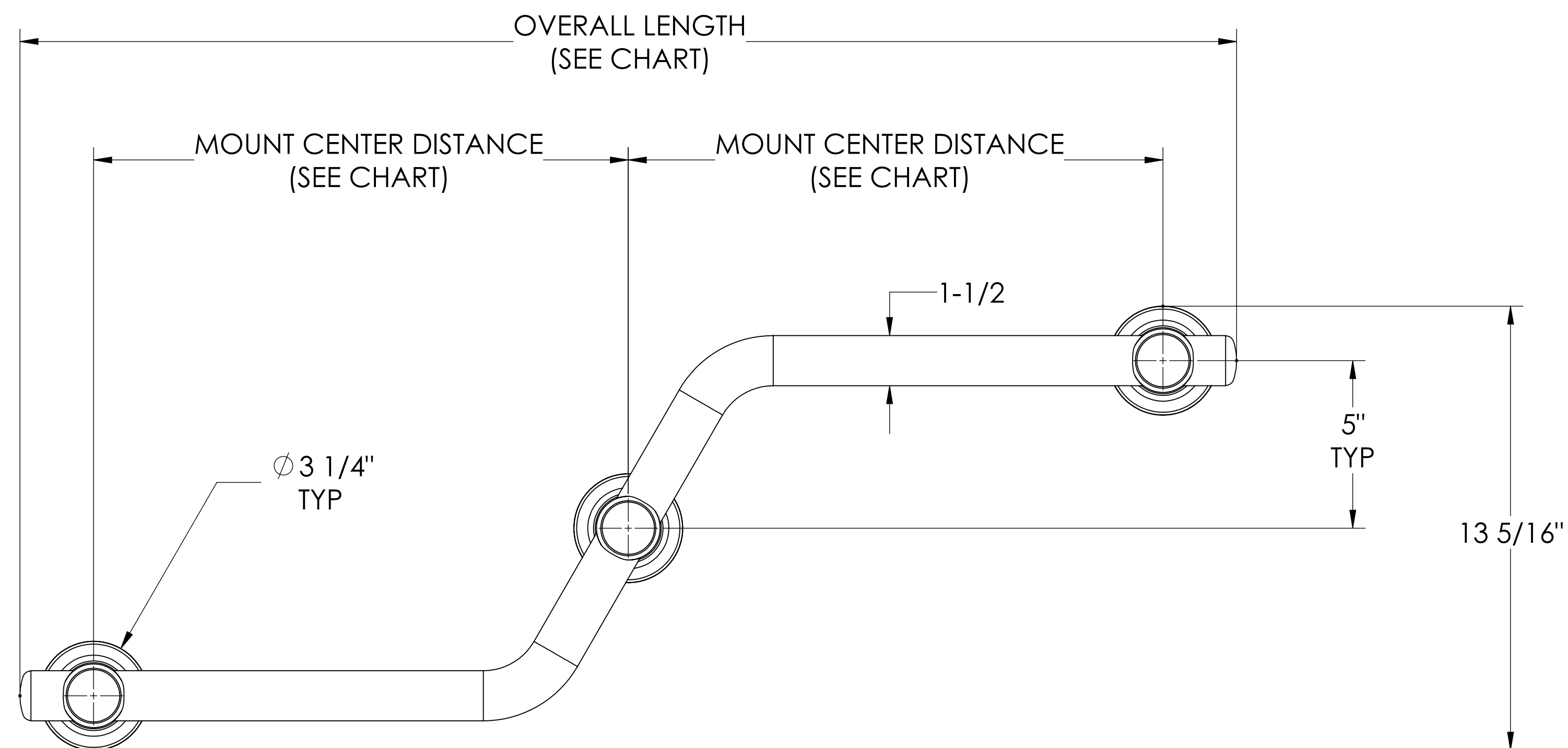


# SMARTBAR WITH DOMED BAR CAPS

BAR CAPS	OVERALL LENGTH	MOUNT CENTER DISTANCE
FLUSH	36 1/4	15 11/16 - 16 5/16
ELLIPTICAL	36 7/16	15 11/16 - 16 5/16
DOMED	37 1/4	15 11/16 - 16 5/16
OTHER SIZES AVAILABLE	CONTACT SMARTBAR AT 330-545-4722	



"THIS DRAWING AND ALL DESIGN AND DETAIL SHOWN ON IT ARE THE PROPERTY OF CENTRICITY AND ARE CONFIDENTIAL. THIS DRAWING IS NOT TO BE COPIED WITHOUT WRITTEN PERMISSION OF CENTRICITY. ALL PATENT AND DESIGN RIGHTS ARE RESERVED". COPYRIGHT 2019

TOLERANCES UNLESS OTHERWISE NOTED:  
 .X = ±.030 .XX = ±.010 .XXX = ±.005 .XXXX = ±.0005  
 FRACTION ± 1/16 ANGLES ± 1 DEG  
 REMOVE ALL SHARP EDGES AND BURRS

## Z BAR SMARTBAR

SCALE: 1:2 DRAWN BY: C.T.G.

DO NOT SCALE CHECKED BY: DATE:

MODEL FILE: Z BAR 41 ASSEMBLY REVISION: A APPRVD BY: DATE:

REVISIONS			
REV.	DESCRIPTION	DATE	APPROVED
A	REL	12/13/2019	

**SB10046**

SHEET SIZE  
**D A**