



# E-PULSE

EMS Pro Tech Skin Tightening Treatment

## MEET THE E-PULSE EMS PRO TECH SKIN TIGHTENING TREATMENT

Even on your best day, aging skin can make you feel slightly less radiant. Our newest at-home device uses modern technology to combat sagging, fine lines, and wrinkles for long-term visible and touchable results.

Our EMS technology goes deeper than the majority of microcurrent treatments. The device produces the gentlest buzzing feeling and penetrates to the molecular level. Stimulation works deeply beneath the skin's surface to contract muscles, which in turn improves micro-circulation. Skin is nourished from within, causing cells to renew while repairing the look of skin from the inside out.

In what can best be described as a workout for your neck and chest, the Electronic Muscle Stimulation (EMS) in our device uses electrical current to target and stimulate muscles deep beneath the surface of the skin. Skin feels immediately better, tighter, more toned.

**RADIANT SKIN  
JUST A PULSE AWAY**

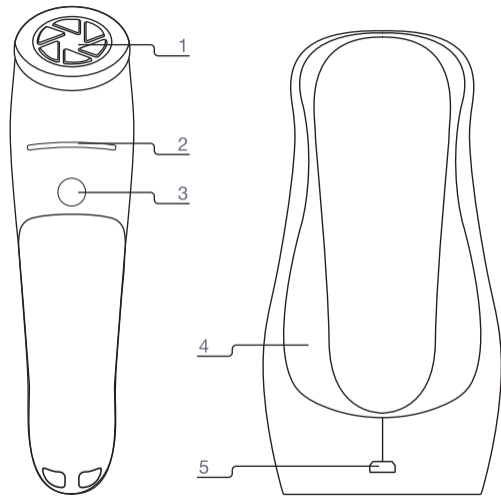
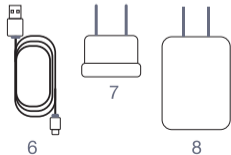


E-PULSE  
Electronic Muscle Stimulation Treatment  
backtohealth.com

E-PULSE

## PARTS

1. EMS Treatment
2. Intensity Display
3. Power Button & Color Selector
4. Charging Base
5. Charging Port
6. USB Charger
7. EU Adapter
8. Wall Plug



## CHARGING INSTRUCTIONS



Make sure power cord is inserted to the back of the charging base and plugged into a USB port or outlet.



Place device onto charging base and leave until fully charged.



Rotating lights means device is charging. Solid light means device is fully charged. Device should take 3-4 hours to fully charge from 0% battery.



## HOW TO USE

Make sure your device is fully charged.

E-Pulse is intended to treat each area separately –neck, chest and deep marionette lines around the corners of your mouth.

**Step 1:** Apply the Tecture Beauty Ultra Conductivity Gel liberally on desired treatment area by patting onto skin, not rubbing in. This gel formula enhances the conductivity effect of the EMS function and eases the micro current pulses sensitivity on the skin.

**Step 2:** While there are 3 different strength levels, we suggest you begin at level one and work your way up only when you're comfortable. Switch device on using the power button and select the strength level of your choice.

**Step 3:** Apply directly to the treatment area and work in upwards and outward motions. You will hear 2 beeps and device will automatically stop the EMS pulses after 3 minutes to inform you that treatment area is completed and time to move to the next treatment area.

**Step 4:** Wait 10 minutes and apply your favorite serum, cream, or SPF protection. Look in the mirror. Admire the improved tone and texture of your skin.

Device will automatically power off when not in contact with skin for 45 seconds or more. After use, place device into base until the next treatment to best protect it.



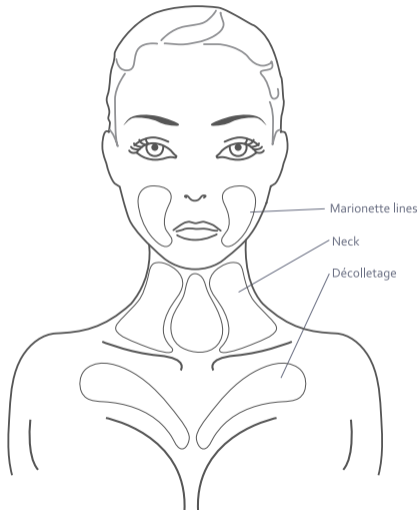
## FOR BEST RESULTS

•**Go deep:** Concentrate on areas with the deepest wrinkles. Use slightly more pressure to create a gentle massaging sensation.

•**Exercise eye caution:** Do not use in immediate eye area.

•**None of that lip:** Target deep marionette lines running from below your nostrils to your chin area as well as tiny wrinkles and frown lines near your lips. Never use E-Pulse on the lips or eyes.

•**For best results:** Complete the treatment by applying the Tecture Beauty 24K Gold Sonic Luminous Boost for added moisture and glow.



## NOURISH FROM WITHIN

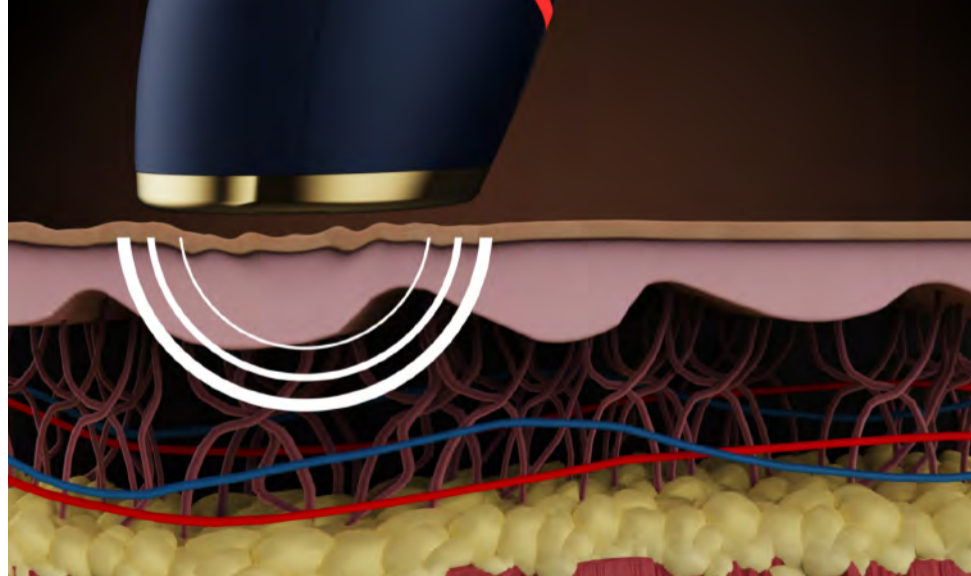
The E-Pulse can help repair the skin's elastic fiber and collagen layer tissue, thereby relaxing and reducing wrinkles.

Skin will feel:

- better
- tighter
- more toned

## DIG DEEPER

E-Pulse EMS goes deeper than the majority of microcurrent treatments. The device produces the gentlest of buzzing feelings and penetrates to the molecular level. Stimulation works deeply beneath skin's surface to contract muscles, which in turn improves microcirculation. Skin is nourished from within, causing cells to renew while repairing the look of skin from the inside out.



## TROUBLESHOOTING

In the event that the device fails to perform as intended, the following notes will help to identify potential problems with the device and its setup.

Problem	Solution
Device turns off automatically	Maybe it has reached the set time or it might be low on power.
Device does not turn on	Check and recharge batteries. Make sure contact points on device and charging stand are in contact and that the device is properly seated within the charging stand.
Device shuts off in mid-treatment or only after few treatments	Check and recharge batteries.



## PRODUCT SPECIFICATION

Product Name	EMS Pro Tech Skin Tightening Treatment
Item number	BZ-0618
Dimensions of full device	217,18MM * 78,08MM * 78,08MM
Total Weight	328 Grams
Machine Size	198,72MM * 51,08MM * 69,60MM
Machine Weight	178 Grams
Charging Base Size	152,86MM * 77,80MM * 75,98MM
Machine Weight	150 Grams
Main Material	ABS Plastic+ Aluminum alloy
Output Voltage	(DC) : 10V/1A
Battery Capacity	10V 900mAh
Charging Time	3 Hours
Lasting Time	2,5 Hours
Temperature Range	38°C-42°C
Strength of 3 Levels	15V(2.3mA), 20V(2.7mA), 25V(3.2mA)



## WARNINGS

- **DO NOT** use over swollen, infected, or inflamed areas or skin eruptions, e.g. phlebitis, thrombophlebitis, broken capillaries, varicose veins, etc.
- **DO NOT** use in the eye area (circular muscles within the orbital rim), on the temples, on the mid-line of the neck (bone of neck), or on the breast or groin area.
- **DO NOT** apply stimulation across your chest as the introduction of electrical current into the chest may cause rhythmic disturbances to your heart, which could be lethal.
- **DO NOT** use while driving, operating machinery or during any activity in which involuntary muscle contractions may put the user at undue risk of injury.
- Never operate this device if it is not working properly, if it has been dropped or damaged, or submerged in water.
- Never drop or insert any object into any openings on the device. Return the device for examination and repair if you believe that the device is not working properly.
- **DO NOT** use the device when it is charging.
- Use of controls or adjustments, or the performance of procedures other than those specified herein, may result in injury.
- Keep all electrical appliances (including the device) away from water (including baths, showers, and sinks).
- If the device begins to overheat, turn off immediately.
- Stop using the device immediately if you suspect the device to be malfunctioning, or not operating properly.
- **DO NOT** disassemble the device as this may cause damage, malfunction, electrical shock, fire or injury.
- There are no user-serviceable parts inside. **Note: Disassembly voids the warranty.**
- Use of accessories, DC Charging Adapter and cables other than those specified, with the exception of DC Charging Adapter and cables sold by the manufacturer of the device as replacement parts for internal components, may result in increased emissions or decreased immunity of the system.
- **DO NOT** immerse the device unit in water or a dishwasher.
- **DO NOT** drop or apply pressure to the outside of the unit since this may damage or weaken the bulb and other components.
- **DO NOT** use alcohol, benzene or other types of solvents to clean the unit, as such substances will weaken and/or permanently damage the components and materials used in the manufacturing of the unit. If necessary, use only a damp cloth.

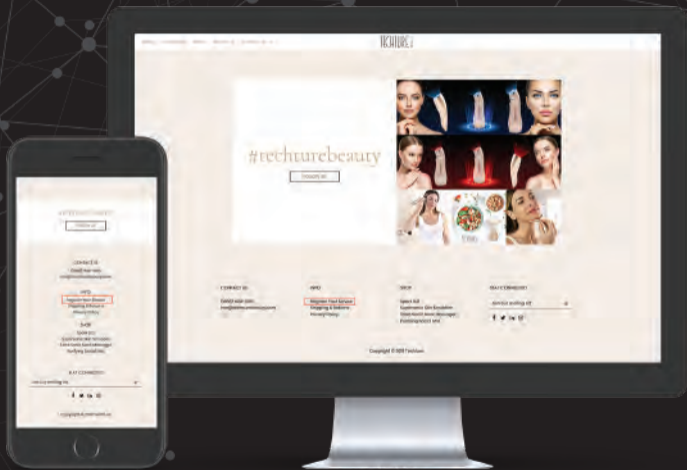
## IMPORTANT INFORMATION

- This device is designed for cosmetic use only and for individuals in good health. If this is not the case for you, please consult your doctor before use.
- If using the device causes any discomfort, discontinue use immediately.
- If you suspect that you have had a negative reaction from using the device, consult your doctor immediately.
- If you have suspected or diagnosed heart disease, you should follow precautions recommended by your doctor.
- Caution should be used in the following situations: 1. for patients with suspected or diagnosed heart problems, 2. for patients with suspected or diagnosed epilepsy, 3. when there is a tendency to hemorrhage following acute trauma or fracture, 4. over areas of the skin which lack normal sensation.
- The long-term effects of stimulation are unknown. The safety of the device for use during pregnancy has not been established.
- A slight tingling sensation may occur while using the device. Lowering the intensity may reduce or eliminate this sensation.
- The device is intended for cosmetic use on the face. Any harmful consequence resulting from misuse, application to other body areas, connection to improper voltage sources, dirty conductive solution or any other improper applications is neither the responsibility of Techure nor its affiliates.
- Electronic monitoring equipment, such as ECG monitors and ECG alarms, may not operate properly when the device is in use.
- Do not store the device in the sun or on a hot surface. High temperatures may be damaging. The device should be operated, transported and stored in the manner specified in this manual. Failure to use and maintain the device in accordance with the instructions outlined in this manual will void the warranty.
- Only use the power adapter provided with the device.
- Do not scratch or damage the device.
- The device needs special precautions regarding EMC. Do not use near known sources of EMI such as CT scanners, RFID, security systems (e.g. metal detector or EAS), shortwave radios or microwave equipment. Note: some sources of radio frequency emitters may not be visible to the user. If you experience unexpected behavior of the product then it is possible some external electromagnetic interference is responsible. You should remove this source and restart the product to restore full operation.
- You should stop using the device and should consult with your physician if you experience adverse reactions from the device.



# LIFETIME WARRANTY

The E-Pulse comes with a lifetime warranty, and if it was not purchased online, you will need to register your E-Pulse device to activate the warranty by visiting [techtubeauty.com](http://techtubeauty.com)





# E-PULSE

TECHTURE BEAUTY

FOR MORE TREATMENT TIPS, FOLLOW TECHTURE BEAUTY ON SOCIAL MEDIA  
OR VISIT US AT [TECHTUREBEAUTY.COM](http://TECHTUREBEAUTY.COM)



@TECHTUREBEAUTY

# E-PULSE

EMS Pro Tech Skin Tightening Treatment

Dist. by Techure Beauty

Miami Beach, FL 33139

1-866-620-5015

[info@techurebeauty.com](mailto:info@techurebeauty.com)

[www.techurebeauty.com](http://www.techurebeauty.com)



CE ROHS

