

# HEAT PRESS

MODEL No: DM800

---

INSTRUCTION MANUAL

## CONTACT

---

Seattle, WA 98105  
United States

[help@dulytek.com](mailto:help@dulytek.com)  
[www.dulytek.com](http://www.dulytek.com)

© Dulytek  
All rights reserved



## TABLE OF CONTENTS

---

PAGE 2	INTRODUCTION Read Before Operating Machinery Copyright Notice Disclaimer
PAGE 2	SAFETY PRECAUTIONS
PAGE 4	HANDLING PRECAUTIONS
PAGE 5	UNPACKING Unpacking Precautions Unpacking Instructions Item Checklist Recommended Parts
PAGE 6	GETTING FAMILIAR DM800 Press Features and Controls
PAGE 7	OPERATING INSTRUCTIONS Preparing Press Adjusting Pressure Starting Press Setting Control Panel Pressing Turning Off Press Cleaning Press Plates
PAGE 11	TECHNICAL SPECIFICATIONS

## INTRODUCTION

---

DULYTEK DM800 manual heat press is engineered and manufactured for personal use or use in research laboratories, pharmaceutical, cosmetic, food processing, textile printing, and brewing industries. Its best applications are for personal use.

**READ BEFORE  
OPERATING  
MACHINERY**

To avoid accidents, first read SAFETY PRECAUTIONS (PAGE 2) and HANDLING PRECAUTIONS (PAGE 4).

Read this manual carefully to ensure you use the press correctly. After reading and familiarizing yourself with the equipment, store the manual in a safe place for future references.

**COPYRIGHT  
NOTICE**

Copyright © by DULYTEK. All rights reserved. No part of this document may be reproduced, distributed, or transmitted in any form or by any means, including photocopying, recording, or other electronic or mechanical methods, without the prior written consent of the company. Product design, logos, brand names for various media, and product photos are the sole and exclusive property of DULYTEK.

**DISCLAIMER**

This unit is intended for LEGAL use only, in accordance with your federal, state, and local laws, ordinances, and regulations.

Please keep this manual in a safe place for future references.

## SAFETY PRECAUTIONS

---

The following precautions are provided to prevent harm or injury to yourself and others. Please make sure to thoroughly read, understand, and follow these precautions before using the product.

## SAFETY PRECAUTIONS (continued)

If product is damaged, appears to be damaged, or malfunctions, contact DULYTEK customer service at [help@dulytek.com](mailto:help@dulytek.com).

**WARNING: Follow the warnings below. Otherwise, death or serious injuries may occur.**



- Use this product only as described in this manual.
- Keep the equipment out of the reach of children at all times.
- Unplug the heat press from the electrical outlet and let it cool down COMPLETELY before cleaning, performing maintenance, or repair.
- DO NOT operate the product after the appliance malfunctions or is dropped or damaged in any way.
- DO NOT operate the press if the plates are dirty. Clean the plates with isopropyl alcohol and wipe them dry with a clean cloth. Ensure both plates are completely dry before use.
- DO NOT immerse the press, its power cord, and plugs in water or any other liquid.
- DO NOT place the product on or near a hot gas or electric burner, heated oven, or any other heat source.
- DO NOT operate the product with a damaged cord or plug.
- DO NOT leave any cords near a heat source. It can deform the cord or melt its insulation causing electrical shock or fire.
- Always insert the power plug all the way in.
- DO NOT handle a power plug or other components of the press with wet hands.
- When unplugging a power cord, grasp and pull with the plug instead of the cord.
- DO NOT scratch, cut, twist, excessively bend, or tie the cord or put a heavy object on it.
- DO NOT let the power cord drape over the countertop or tabletop, where it can be accidentally tripped over or pulled on.
- DO NOT connect too many power plugs to the same power outlet.
- DO NOT cover the press with a cloth. Doing so may trap heat within and cause fire.
- Remove dust around the plug and power cord with a dry cloth. If the

## SAFETY PRECAUTIONS (continued)

- surrounding is dusty, humid, or oily, short-circuit may occur, causing a fire.
- DO NOT remove the machine cover.
- DO NOT disassemble the press or make any modifications to the equipment.
- ment.

## HANDLING PRECAUTIONS



- The press must be operated on a hard, level surface, away from its edges to prevent accidental tipping over.
- Work area must be kept clean, tidy, and free of obstructions to the press moving parts.
- Always attach the power cord to the press first, then plug it into the wall outlet.
- To unplug the press, turn OFF all controls and switches, only then remove the plug from the outlet.
- DO NOT touch the press's hot surfaces. Use heat-resistant gloves or tools. Care must be exercised as burns can occur from touching platens.
- Keep your hands and other body parts away from the press moving parts to prevent injury.



- This press comes with a power cord that fits into a standard household 3-prong outlet (110V American market and 220V European market). DO NOT attempt to use the equipment with a two-prong electrical cord or any other way without proper grounding.
- Contact DULYTEK if the equipment does not start or if smoke or unusual odors are detected.
- Always turn the machine OFF and unplug it when done using.

## UNPACKING

### UNPACKING PRECAUTIONS

**WARNING: Keep the packaging materials (cardboard, foam, plastic bags, etc.) out of the reach of children to prevent accidental choking, suffocation, strangulation, and other injuries.**

Preserve the shipping carton. DO NOT discard or disassemble the shipping box. It is designed to hold the weight of the product and should be used in case you need to return the equipment for repair or warranty maintenance in the future. DO NOT attempt to ship the press in a different container.

### UNPACKING INSTRUCTIONS

1. Place the box on a large, sturdy, flat surface.
2. Open the box and remove the instruction manual and all parts that came with the press.
3. Remove the packaging material and carefully lift the press out of the box.
4. Remove any protective or promotional labels from the press and other parts if applicable.
5. Examine the heat press after unpacking for any damage. If found one, take a picture and contact DULYTEK at [help@dulytek.com](mailto:help@dulytek.com) immediately.

### ITEM CHECKLIST

Before starting, please make sure that the following items are included with your press machine. If anything is missing, contact DULYTEK.

1. DULYTEK DM800 Heat Press;
2. AC Power Cord;
3. Instruction Manual.

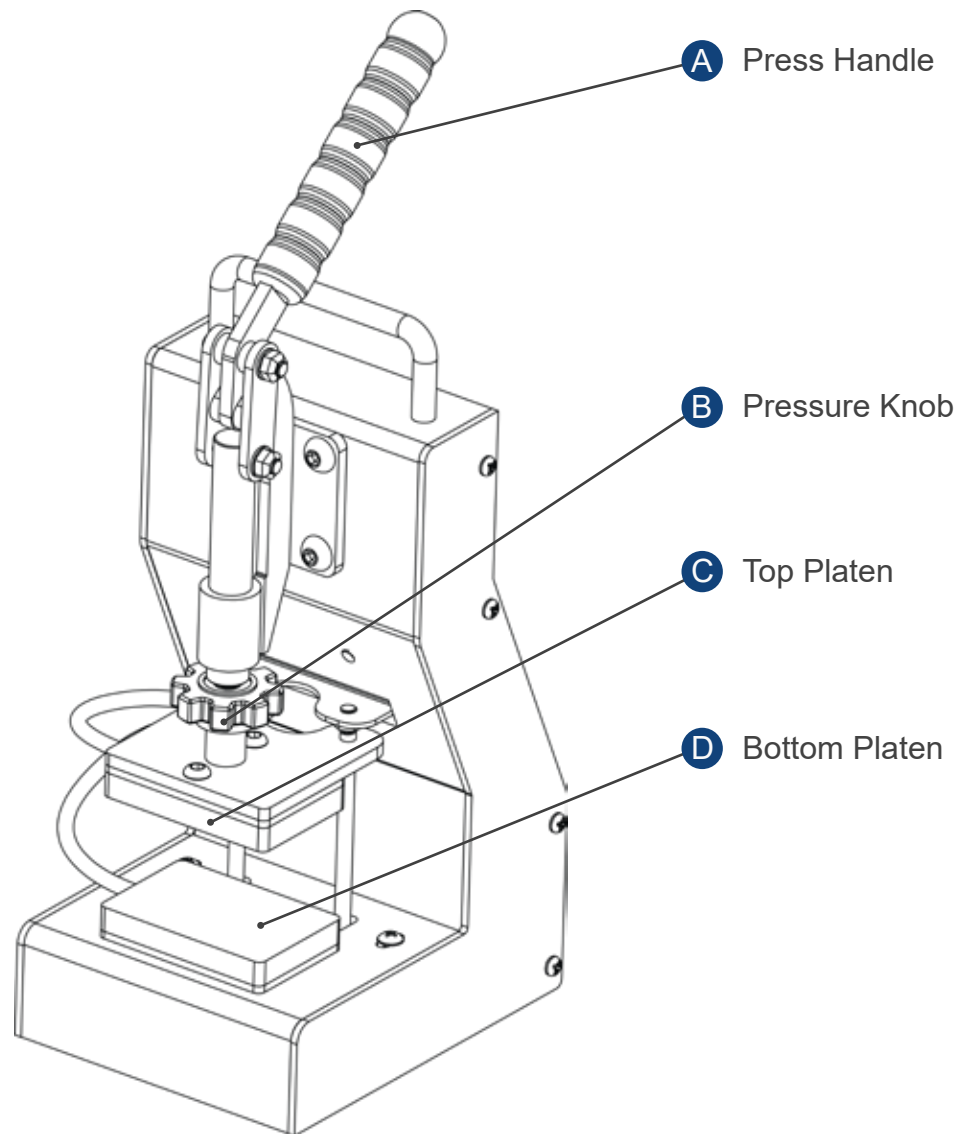
### RECOMMENDED PARTS

- The following items are recommended for use with this machine:
1. Parchment paper sheets;
  2. Pre-press mold;
  3. Humidity packs;
  4. Collection tools, glass stamp, etc.

Please see PRESSING TIPS (<https://bit.ly/2YuM8pR>) for more information.

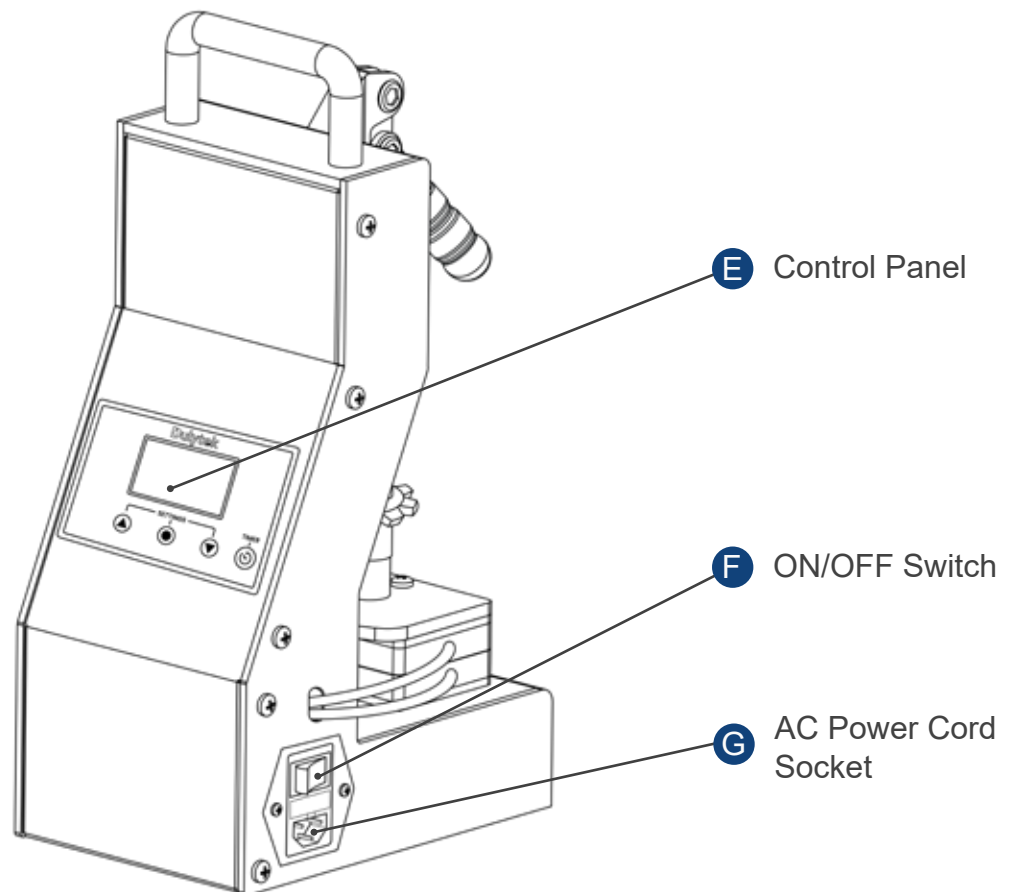
## GETTING FAMILIAR

### DM800 PRESS FEATURES AND CONTROLS (front)



## GETTING FAMILIAR (continued)

### DM800 PRESS FEATURES AND CONTROLS (back)



## OPERATING INSTRUCTIONS

### PREPARING PRESS

1. Prepare materials you wish to press. Please see **PRESSING TIPS** (<https://bit.ly/2YuM8pR>) for more information.
2. Make sure the press stands on a flat sturdy countertop.
3. Make sure all switches and controls are turned off.
4. Insert the AC power cord that came with the product into the press AC power cord socket **G** and then plug its other end into an electrical outlet (110V for USA / 220V for EUR).



## OPERATING INSTRUCTIONS (continued)

### ADJUSTING PRESSURE

Turn the pressure knob **B** clockwise to increase pressure or counterwise to reduce it. Use it to adjust the vertical position of the top platen. A larger amount of starting material may require a larger distance between the platens to successfully close the press. Experiment lifting and lowering the press handle to make sure it locks at the right height for you.

### STARTING PRESS

1. Lift the press handle **A** to open the machine.
2. Flip the ON/OFF switch **F** to turn the press on. The control panel **E** lights up.

### SETTING CONTROL PANEL

The control panel **E** is used to set temperature for both platens, timer, and Fahrenheit or Celsius preferences. Please follow the steps below to record the desired settings:

1. Press Set **G** button on the control panel (Fig. 1) to go to the temperature setting mode for the top platen.
2. Press Up **H** or Down **I** buttons to select the desired temperature (Fig. 2). The selected temperature is shown on the upper **U** line of the display. Tip: Enter the temperature either in °F or °C; you will be able to select the temperature scale later.
3. Press Set **G** button again (Fig. 3) to go to the temperature setting mode for the bottom platen.

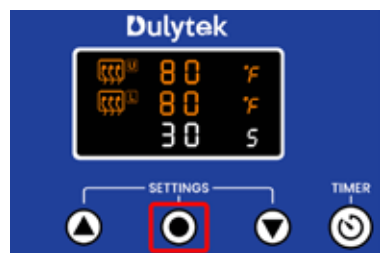


Fig. 1



Fig. 2



Fig. 3

4. Press Up **H** or Down **I** buttons to select the desired temperature (Fig. 4). The selected temperature is shown on the lower line **L** of the display.

## OPERATING INSTRUCTIONS (continued)

### SETTING CONTROL PANEL (continued)

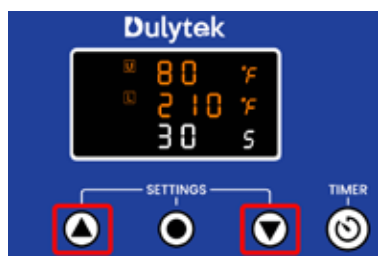


Fig. 4

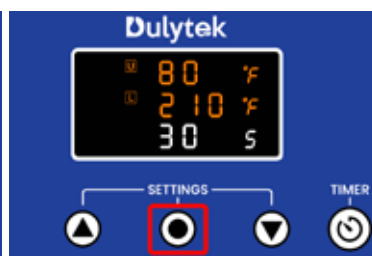


Fig. 5



Fig. 6

5. Press Set (●) button again (Fig. 5) to go into the timer setting mode.
6. Press Up (▲) or Down (▼) buttons to select the desired time in seconds (Fig. 6).
7. Press Set (●) button to go to the temperature scale selection mode (Fig. 7).  
Tip: Depending on your machine's default settings, you may either see "F" or "C" on the display indicating the currently selected temperature scale (°F or °C).
8. Press Up (▲) or Down (▼) buttons to select either °F or °C (Fig. 8) OR skip this step if you are satisfied with the current selection.
9. Press Set (●) button once more (Fig. 9) to record all control panel's settings. The platens start heating, and the heating icons are now displayed on the screen (Fig. 10).

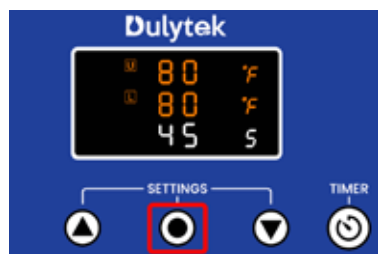


Fig. 7



Fig. 8



Fig. 9

### PRESSING

1. Wait until the platens heat up to the desired temperature (Fig. 11). Tip: Once heating is finished, the heating icons are turned off.
2. Place the prepared material in the center of the bottom platen (D).

## OPERATING INSTRUCTIONS (continued)

### PRESSING (continued)



Fig. 10



Fig. 11



Fig. 12

3. Lower the press handle **A**.
4. Press TIMER button on the control panel to start the countdown (Fig. 12). The countdown is now shown on the lower line of the display.
5. Wait until the countdown ends and the press starts beeping.
6. Press TIMER button again to turn off the timer and stop beeping.
7. Lift up the press handle **A**.
8. Remove the pressed material using heat resistant gloves or tools and exercising extreme caution.

### TURNING OFF PRESS

1. Flip the ON/OFF switch **F** to turn the machine off when done pressing.
2. Unplug and then disconnect the AC power cord from the press.
3. Wait until the press cools down completely to clean and store it.

### CLEANING PRESS PLATES

1. Make sure the press plates are completely cooled down before cleaning.
2. Apply a small amount of alcohol to a clean cloth and wipe down the plates until clean.
3. Wipe plates with a dry clean cloth.
4. Repeat these steps for cleaning all associated tools.

## TECHNICAL SPECIFICATIONS

PARAMETER	USA MARKET	EU MARKET
Model	DM800	DM800-E
Press Force	1350 lb / 0.6 Ton	
Power	120 W	
Current	1.1 A	0.6 A
Voltage	110 V	220 V
Frequency	50 / 60 Hz	
Dual Heating Plates	Yes	
Platen Size	2.5 x 3 inch / 64 x 76 mm	
Temperature Range	up to 302 °F / 150 °C	
Timer Range	0 - 999 sec	
Dimensions	9 x 6 x 12.5 inch / 23 x 15 x 32 cm	
Weight	9.8 lb / 4.5 kg	
Package Dimensions	14 x 9.3 x 10 inch / 35 x 23.5 x 25 cm	
Package Weight	12 lbs / 5.5 kg	
Certifications	CE / RoHS	