



100W UFO LED High Bay Flood Light

Commercial Lighting Specifications



Model Versions



100W UFO LED High Bay Flood Light 6500K Black

Model Number: ULMFL00006

Key Features



EFFICIENCY

130 Lumen/Watt



CCT

6500K



BEAM ANGLE

121°



IP RATING

IP65



WARRANTY

5 YEARS

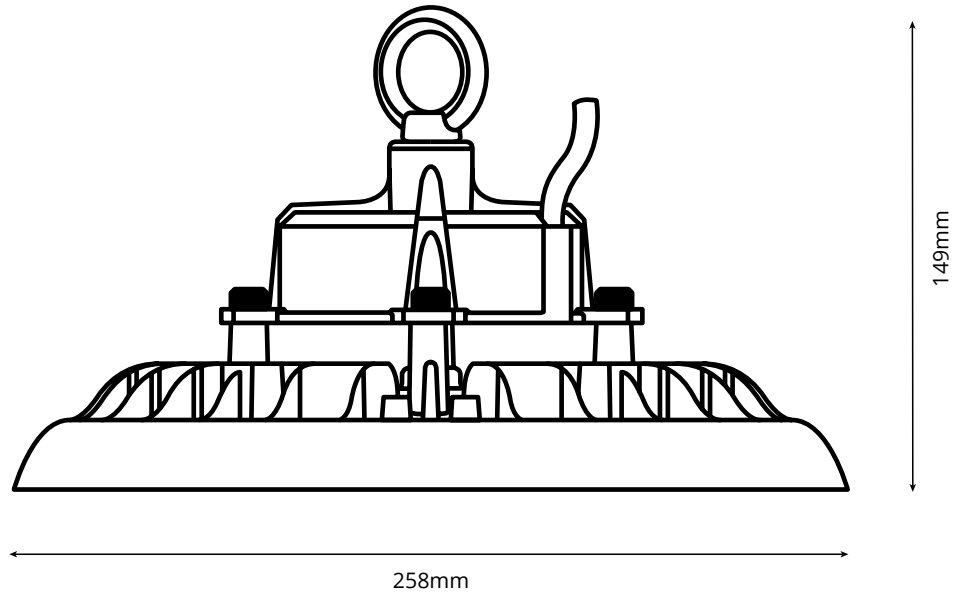
- Ideal for warehouses and other high ceiling buildings
- Maintenance free
- Very economical running cost - 130 lumen per watt efficiency
- Integrated driver with IP65 rating
- 5 Years warranty
- Excludes chain/cable for mounting

Model	Draw Power (W)	Luminous Flux (Lumen)	LED Colour (CCT)	Colour Rendering Index (CRI)	Beam Angle
ULMFL00006	100W	13000	6500K	>80	121°

Specifications	
Power Factor	PF > 0.9
IP Rating	IP65
Driver Type	Non isolated, non flicker, non dimmable internal
Input Voltage	AC 220V-240V 50/60Hz
Driver Surge Protection	Built in 4kV Surge Protection
Protection	CLASS I, Requires earth connection
Housing Material	Die-Cast Alluminum body with PC Lens
Colour	Black



Dimensional Drawing



Dimensions and Weight

Model	Dimensions	Cut Out Dimensions	Unit Net Weight
ULMFL00006	258mm x 149mm	NA	1,55 kg

Product Warranty

5 Years Warranty

Certifications

