

# TOWNHAUS

## MEDIUM

### Easy Assembly Instructions

#### Component List

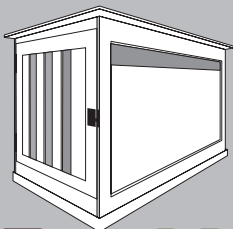
- Top (A)
- Base (B)
- Right and Left Panels (C)
- Back Panel (D)
- Door (E)

#### Hardware List

- (1) M7x70 Screws - 13 PCS
- (2) M7x30 Screws - 13 PCS
- (3) M3.5x16 Wood Screws - 6 PCS
- (6) Wood Screw M4x25 - 2 PCS
- Allen Key M4(B)
- Latch Catch

When assembling, do not tighten all screws until all sections are assembled. Always remember to assemble furniture on a clean, smooth and carpeted surface.

**NOTICE: YOU WILL KNOW THE BACK OF THE CRATE BECAUSE YOU WILL SEE THE PRE-DRILLED HOLES FOR THE BACK PANEL.**



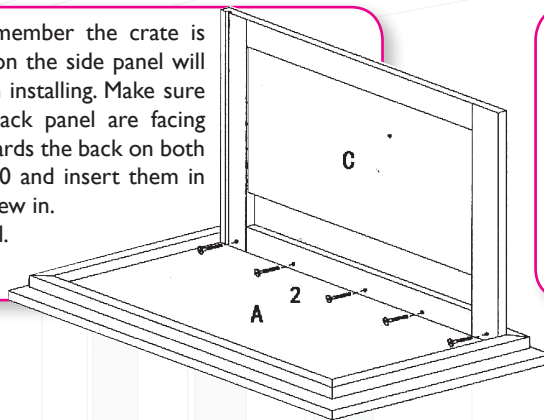
**DenHaus**

Homes for pets. Designs for people.

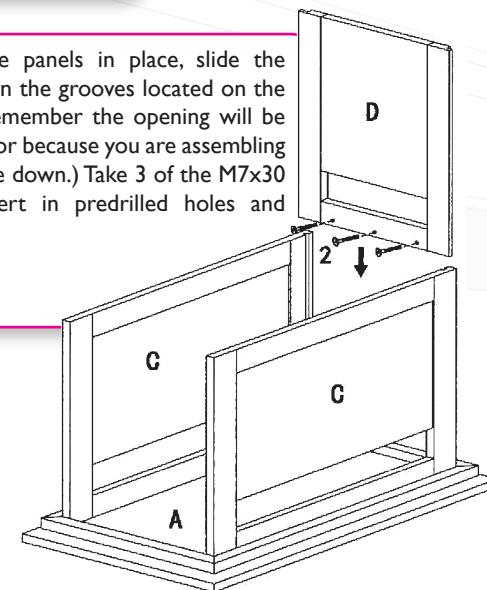
[www.DenHaus.com](http://www.DenHaus.com)

1. Unpack all items and lay out on a soft surface as to not scratch your new DenHaus.
2. Locate the sides, these will have an opening towards the top of the panels. Set these aside.
3. Locate the top of the crate and flip upside down on a soft surface as to not scratch the top of your new DenHaus.

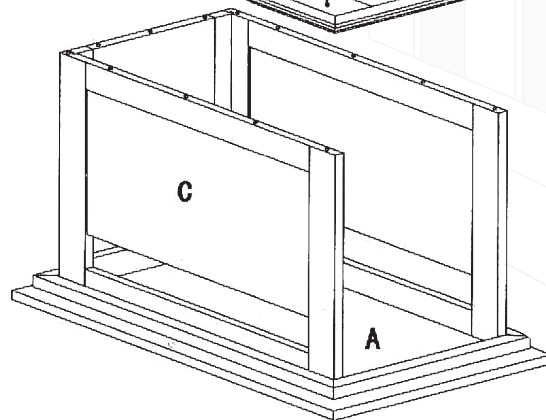
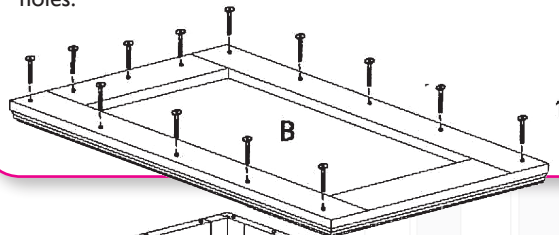
4. Locate 1 of the sides. (Remember the crate is upside down) The opening on the side panel will be closer to the floor when installing. Make sure the grooves to slide the back panel are facing inside the assembly and towards the back on both panels. Take 5 of the M7x30 and insert them in the pre-drilled holes and screw in. Repeat with other side panel.



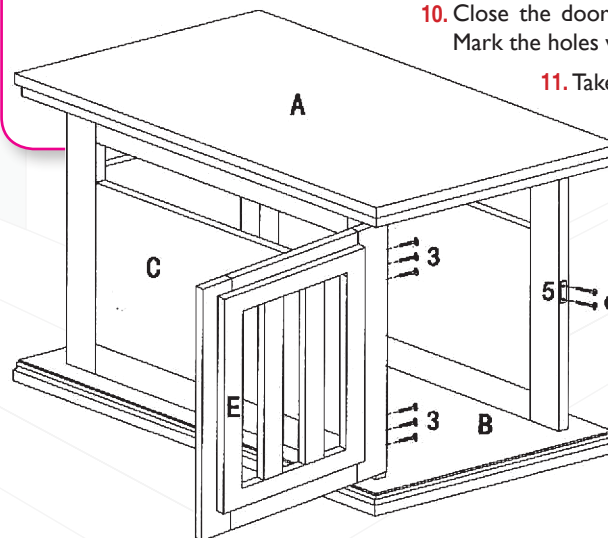
5. With both side panels in place, slide the back panel down the grooves located on the side panels. (Remember the opening will be towards the floor because you are assembling the crate upside down.) Take 3 of the M7x30 screw and insert in predrilled holes and screw in.



6. Now find the bottom. Flip the bottom of the crate so the predrilled holes line up with the predrilled holes in the sides and back. Use 13 of the M7x70 screws and screw in the predrilled holes.



7. Take the crate and turn right side up
8. Locate the door and make sure door is right side up. (the top is where the grate comes out of the door)
9. Align the hinges up with the predrilled holes and insert and screw in 6 of the M3.5x16.
10. Close the door and line up the latch catch. Mark the holes with a pencil.
11. Take 2 of the M4x25 and screw in latch catch.



If you have any issues with your TownHaus, comments or questions about assembly:  
Please call us at 1-877-336-6468 or email us at [support@denhaus.com](mailto:support@denhaus.com)