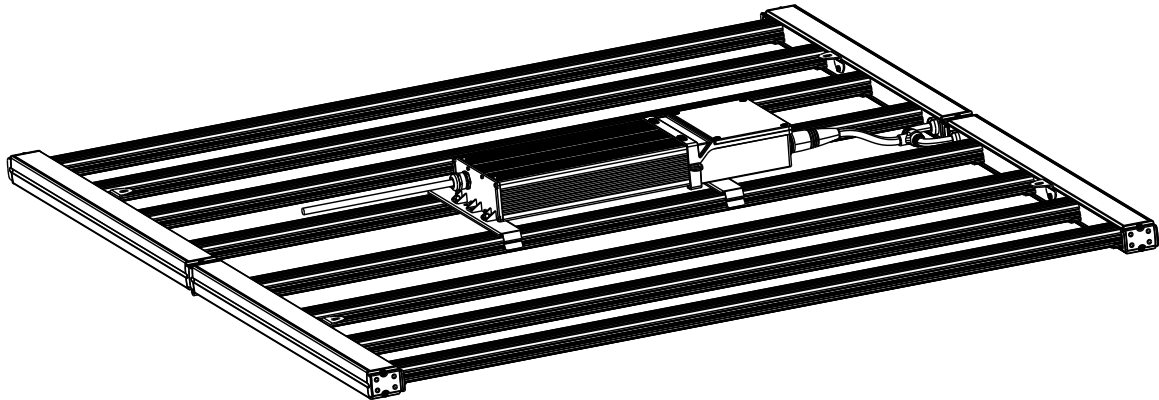
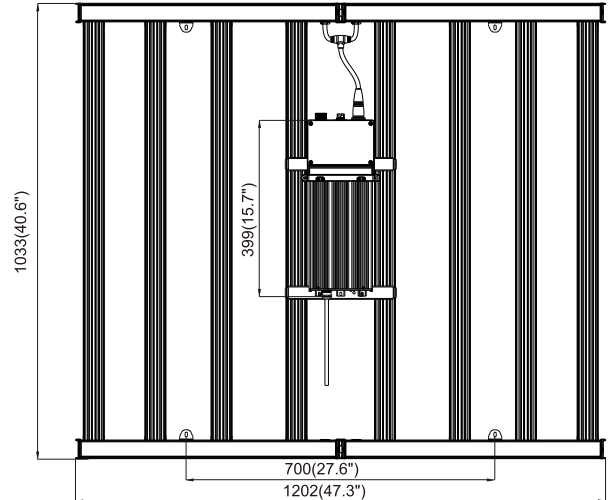
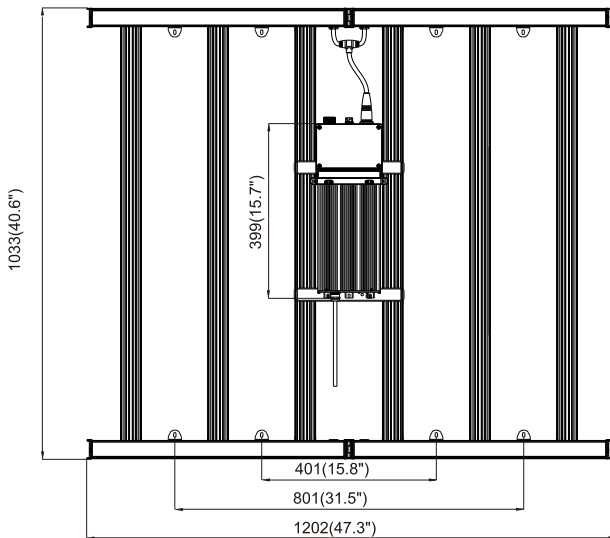
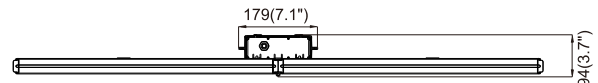
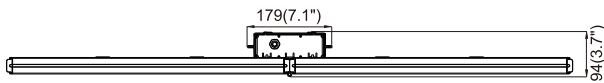


VertX 600

Installation Instructions



Physical Dimensions(Unit: mm/inch)



600W

720W

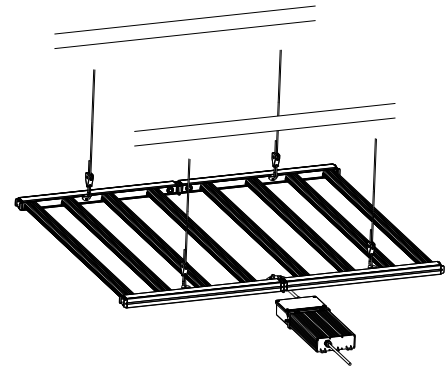
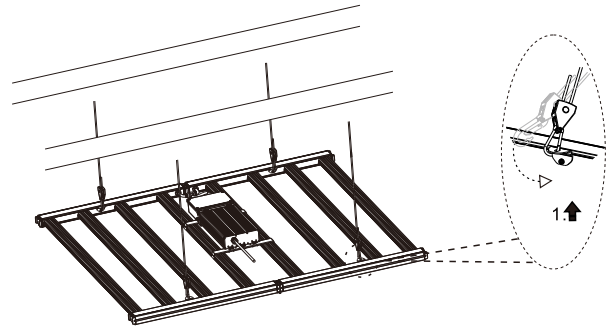
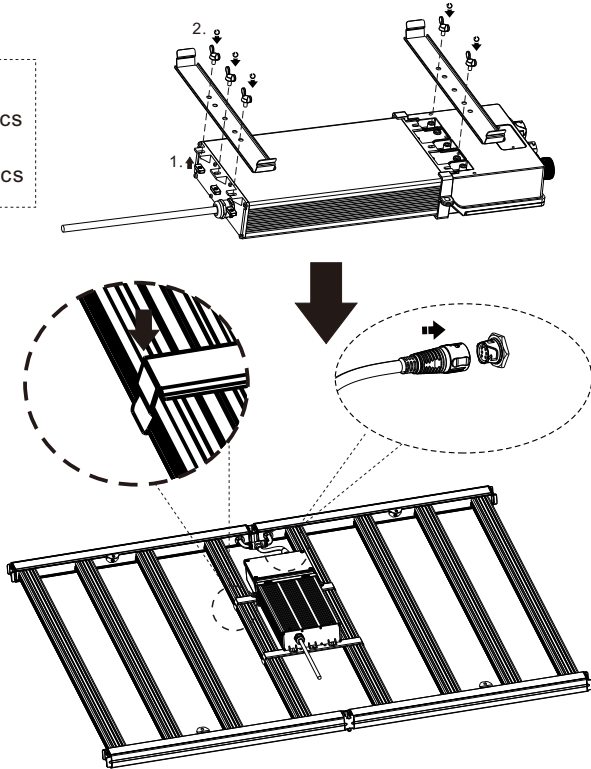
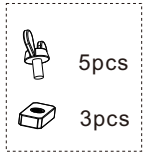
L	— brown	— black					
N	— blue	— white					
⊕ GND	— yellow/green	— green					
			Dimmable				
			DIM+ / DA1	— blue	— brown	— purple	— white
			DIM- / DA2	— white	— blue	— gray	— black

•if the external flexible cable or cord of this luminaire is damaged, it shall be exclusively replaced by the manufacturer or his service agent or a similar qualified person in order to avoid a hazard.

VertX 600

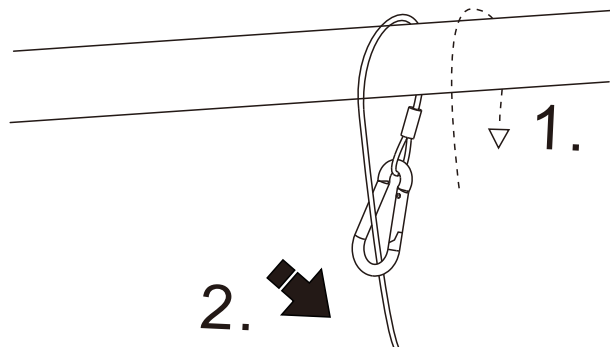
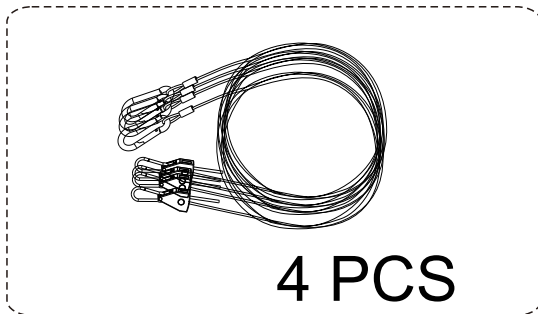
Installation Instructions 600W/720W

1



When the power supply is external, the sling is installed on the four external brackets

2



2

Product Specifications	600W	720W
Input Voltage	100-277Vac	
Power Frequency	50/60Hz	
Outlook Dimensions	1033x1202x94(40.67"x47.32"x3.7")	
Luminaire Net Weight	9.5±0.3kg(20.94±0.66Lbs)	10.2±0.3kg(22.49±0.66Lbs)
Working Temperature	0°C to +40°C(32°F to +104°F)	
Storing Temperature	-40°C to +70°C (-40°F to +158°F)	