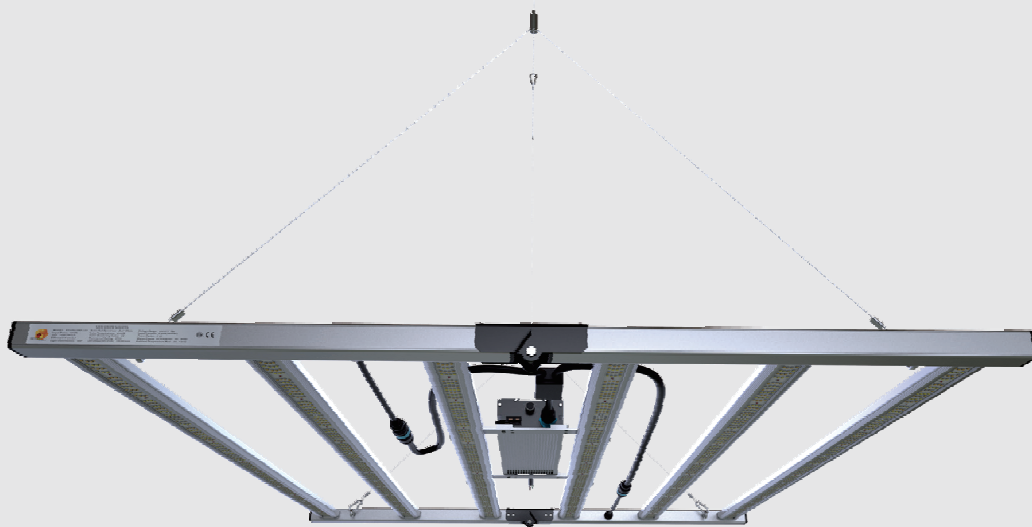




USER MANUAL

LED GROW LIGHTS



$\mu\text{mol/J}$

Full spectrum efficiency



0-10V dimming

Intelligent control design
and Dimming knob



50000 hrs

Long life time:
L90:>50000hrs

Part Number

CAMBYS-680LSTRAP277
CAMBYS-680LSTRAP480

Model

KT-6P01FSG-120
KT-6P01FSG-480



CONTENT

- Pre-install Informatio.....2
- Technical & Physical Specifications.....3
- Hardware & Accessories.....4
- Hanging Installation5
- PPFD Map.....6
- Precautions & Warranty.....8

Pre-Install Information

Please read this manual thoroughly prior to installing or operating the KT-6P01FSG.

- ◆ Observe all safety precautions (see page 12), seek the services of a qualified electrician, installation professional, or call **MOODY BY DESIGN** technicians for assistance.
- ◆ DO NOT handle or touch the fixture while in use.
- ◆ Connect the fixture only to the power sources of the appropriate voltage using the correct AC plug type. Protect power cables from being pinched, walked on, or otherwise damaged. Be especially careful where the power cable enters the power outlet to the unit. Only connect the fixture to an electrical outlet or extension cord of comparable standard and level rating. Connect the fixture ONLY to the power sources of the correct voltage using the supplied AC cord & plug cable.
- ◆ The fixture should only be cleaned as directed. Always seek service for your system by qualified service personnel if any of the following occur:
 1. The fixture shows a noticeable change in performance.
 2. The powersupply cord or plug is damaged.
 3. The fixture has been dropped, or the exterior is damaged.

LED GROW LIGHTS



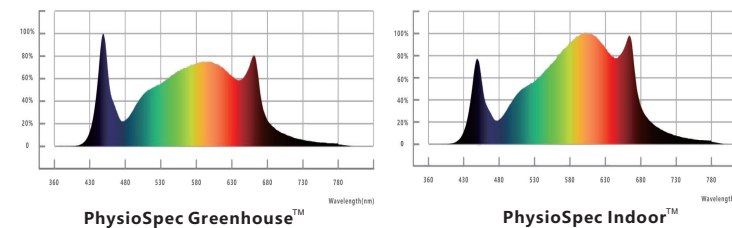
APPLICATION



Our Lighting Solutions are designed to effectively support Photosynthesis while offering Dynamic Spectrum Control where Specific Spectral Ratios can be created to Direct plant Growth and Promote Healthy Plant Development. Fixtures are engineered for both Indoor (Sole-Source) and Greenhouse Cultivation, directing light within the photo synthetically Active Radiation Region, which refers to the light utilized by Plants for Photosynthesis. For indoor Cultivation, we have included White light into our Standard Spectrum to provide for Plant Metabolic Processes while focusing light within red and blue PAR bands to drive Photosynthesis.

Proprietary lighting strategies are also built into our fixtures to significantly reduce energy consumption and associated electrical infrastructure costs via dimming profiles.

SPECTRUM



Controller

- ◆ Suitable for all kinds of our fixtures with controller ports.
- ◆ Maximum Number of lighting fixtures:500-1000pcs (We have the booster to expand the numbers of lighting fixtures up to 500-1000 pcs).
- ◆ Auto-dim at set temperature.
- ◆ Auto-shutdown at set temperature.
- ◆ Sunrise / sunset period.
- ◆ Alarm contracts NO/NC.
- ◆ Easy and safe installation.
- ◆ No need for a switchboard.
- ◆ Protected against short-circuits.
- ◆ Double temperature safety features



TECHNICAL SPECS

Part Number	CAMBYS-680LSTRAP277	CAMBYS-680LSTRAP480
Input Voltage	100-277VAC	277-480VAC
Light Output PPF	1742 μmol/s	
Efficiency ①	2.6 μmol/J	
Output Power	680 W	
Output Current	6.3A(110Vac)	
Min Power Factor	0.99	
Mains Frequency Dimming	50/60Hz	
THD	≤20%	
Dimmable	0-10V Controllable	
Color Temperature	4000K	
Ratio	Full Spectrum:Red+White	
Color Rendering Index	88	
IP Rating	IP 66	
BTU	2320	
Emitter Cooling	Passive / Extruded Case	
Finishing Mounting Height	6" -12" to top of Canopy	
Light Distribution	120°	
Certifications	CE, ETL, DLC, FCC	
Max. Operational Temperature	160°F/60°C	
LED Lifespan (90% of Life)	≥50,000 hours	
Warranty	5 Year Standard Warranty	
Package Dimension ②	1250x1 26x6 10mm+405x221x112mm	

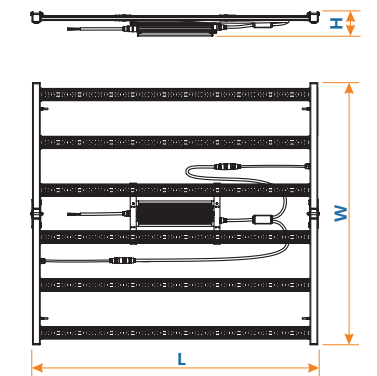
Note:

- ① For horticulture lighting, the amount of light is not measured in lumen but in amount of photons. The common unit in horticulture lighting is μmol/s in the range of 400-700nm (photosynthetically active region).
- ② Lamps and drivers are packaged separately, and users need to install drivers when using them.

NOMINAL ELECTRICAL

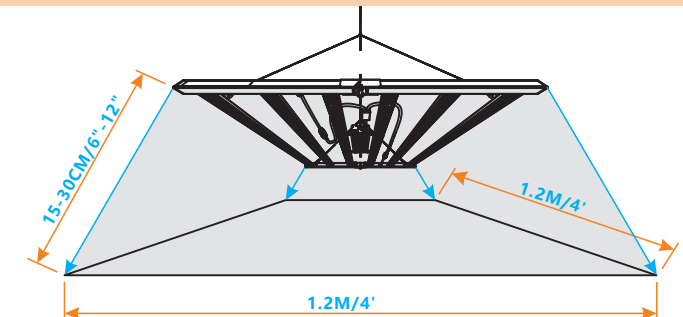
Voltage	120V	208V	240V	277V	347V	480V
Current	5.74A	3.28A	2.84A	2.47A	2.12A	1.52A
Power	685W	670W	662W	656W	678W	660W
Power Factor	0.995	0.98	0.97	0.96	0.92	0.90

DIMENSION



Length	Dimensions(mm/in)		Weight(kg/lb)
	Width	Height	
1193mm/46.96"	1096mm/43.14"	101.6mm/4.0"	15.5/34

MOUNTING & COVERAGE



HARDWARE AND ACCESSORIES

The KT-6PGG can be hung from rope ratchets or can be mounted to a rack.
Before you begin installation, check that you have all the necessary parts to begin.



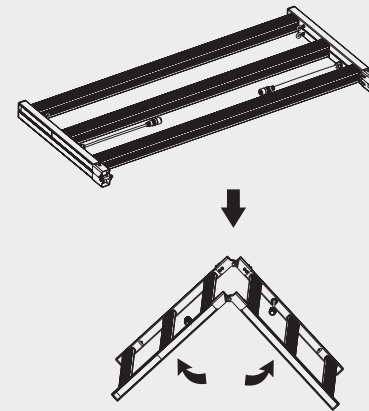
Systems is shipped in 2 parts/components, box 1 is the fixture box 2 is the LED driver power supply and installation hardware:
(1) PN: CAMBYS-680LSTRAP
(2) PN: 680ATP56CV-H MBD

IN THE BOX

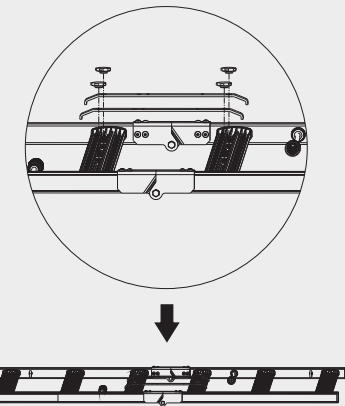
<p>1x KT-6PGG Lamps</p>		<p>1x Driver box</p>	
<p>1x 1x</p> <p>Driver Mounting Bracket</p>	<p>1x</p> <p>Wire & Cable Input A/C Cable, and Output DC Cable with 2 connectors.</p>	<p>M6*10mm, P1.0</p> <p>nut M6*P1.0</p> <p>Screw & Nut set 2 Wing Screws, and 4 Wing Nuts</p>	<p>Hanging Rope Harness & Safety Hanger Clips 2 sets of harnesses</p>

HANGING INSTALLATION

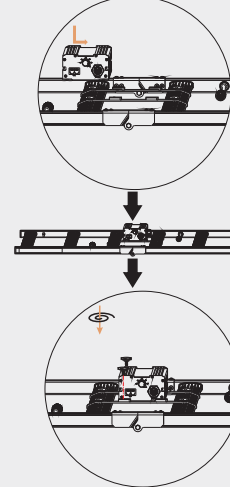
1 Open the fixture to lay flat gently on your workbench.



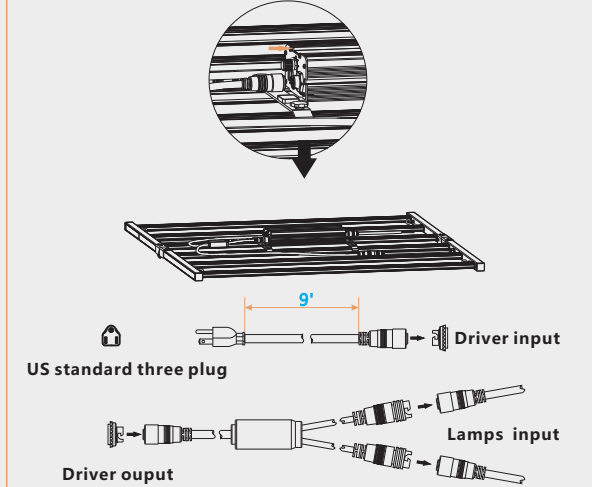
2 Use 4 wing nuts to attach the driver power supply to back of the fixture.



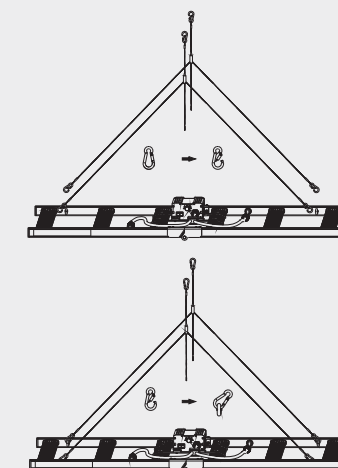
3 Slip the LED Driver Power Supply into the brackets' holding tabs.



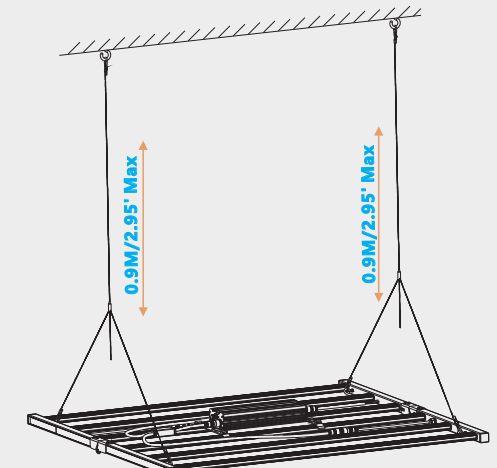
4 Use 2 wing screws to secure the driver & connect the cables.



5 Attach the hangers and the wire rope.



6 Adjust the fixture height over your canopy, see our lighting propagation map.



PPFD MAP

Legend

>=1000	762-1000	581-762	443-581	338-443	258-338	196-258	150-196	<150
--------	----------	---------	---------	---------	---------	---------	---------	------

PPFD MAP KT-6P01 0.5ft

539	752	795	805	805	985	752	539
710	992	1051	1065	1065	1051	992	710
744	1040	1105	1121	1121	1105	1040	744
753	1052	1118	1135	1135	1118	1052	753
753	1052	1118	1135	1135	1118	1052	753
744	1040	1105	1121	1121	1105	1040	744
710	992	1051	1065	1065	1051	992	710
540	752	795	805	805	795	752	539

Clearance	0.5	ft
Qty	1	U
Average PPFD	926.55	μmol/m ² /s
Max PPFD	1135	μmol/m ² /s
Min PPFD	593	μmol/m ² /s
Median PPFD	1016	μmol/m ² /s
Min/Average	58.17	%
Watts	670	W

PPFD MAP KT-6P01 3.0ft

233	269	295	309	309	295	269	233
268	310	342	359	359	342	310	268
294	341	377	396	396	377	341	294
308	358	395	415	415	395	358	308
308	358	395	415	415	395	358	308
294	341	377	396	396	377	341	294
268	310	342	359	359	342	310	268
233	269	295	309	309	295	269	233

Clearance	3	ft
Qty	1	U
Average PPFD	329.31	μmol/m ² /s
Max PPFD	415	μmol/m ² /s
Min PPFD	233	μmol/m ² /s
Median PPFD	325.5	μmol/m ² /s
Min/Average	70.75	%
Watts	670	W

PPFD MAP KT-6P01 1.0ft

400	547	617	642	642	617	547	400
533	731	824	857	857	824	731	533
595	815	920	953	958	920	815	595
617	844	954	994	993	954	844	617
617	844	954	994	993	954	844	617
595	815	920	958	958	920	815	595
533	731	824	857	857	824	731	533
400	547	617	642	642	617	547	400

Clearance	1	ft
Qty	1	U
Average PPFD	740.39	μmol/m ² /s
Max PPFD	994	μmol/m ² /s
Min PPFD	400	μmol/m ² /s
Median PPFD	773	μmol/m ² /s
Min/Average	54.03	%
Watts	670	W

PPFD MAP KT-6P01 4.0ft

180	200	214	222	222	214	200	180
199	222	238	247	247	238	222	199
214	238	256	266	266	256	238	214
221	247	266	276	276	266	247	221
221	247	266	276	276	266	247	221
214	238	256	266	266	256	238	214
199	222	238	247	247	238	222	199
180	200	214	222	222	214	200	180

Clearance	4	ft
Qty	1	U
Average PPFD	231.63	μmol/m ² /s
Max PPFD	276	μmol/m ² /s
Min PPFD	180	μmol/m ² /s
Median PPFD	230	μmol/m ² /s
Min/Average	77.71	%
Watts	670	W

PPFD MAP KT-6P01 1.5ft

343	441	504	532	532	504	441	343
436	564	645	681	681	645	564	436
494	640	732	774	774	732	640	494
520	673	771	815	815	771	673	520
520	673	771	815	815	771	673	520
494	640	732	774	774	732	640	494
436	564	645	681	681	645	564	436
343	441	504	532	532	504	441	343

Clearance	1.5	ft
Qty	1	U
Average PPFD	597.81	μmol/m ² /s
Max PPFD	815	μmol/m ² /s
Min PPFD	343	μmol/m ² /s
Median PPFD	602	μmol/m ² /s
Min/Average	57.38	%
Watts	670	W

PPFD MAP KT-6P01 1.5ft

140	151	160	164	164	160	151	140
151	164	173	178	178	173	164	151
159	173	182	188	188	182	173	159
164	178	188	193	193	188	178	164
164	178	188	193	193	188	178	164
159	173	182	188	188	182	173	159
151	164	173	178	178	173	164	151
140	151	160	164	164	160	151	140

Clearance	5	ft
Qty	1	U
Average PPFD	169.13	μmol/m ² /s
Max PPFD	193	μmol/m ² /s
Min PPFD	140	μmol/m ² /s
Median PPFD	168.5	μmol/m ² /s
Min/Average	82.78	%
Watts	670	W

PRECAUTIONS

Please read the following list carefully prior to beginning installation.

1. Leave at least one inch of space between the fixture and the mounting area for maximum performance and lifespan.
2. ALWAYS wear protective eye wear when looking directly at the diodes to prevent eye damage.
3. The LED array should NEVER come in contact with sharp objects.
4. Do not touch or apply force to the diodes-this will cause permanent damage.
5. Only handle, clean or move fixture when it's unplugged and completely cool.
6. Keep the fixture free of dust, debris, deposits to ensure the maximum potential of the fixture.
7. NEVER use cloth to clean the diodes. This will scratch the diodes and could potentially break or dislodge them.
8. DO NOT use chemicals to clean the fixture. Use ONLY low pressure air or low pressure water to remove dust and debris.

**5 YEAR
WARRANTY**

MOODY BY DESIGN

We stand behind our technology and products with full customer support, and engineering services.

All LED Fixtures are backed by our 5-Year Warranty!

Contact: support@moodysdesign.com

www.moodysdesign.com