



Aeromixer INC.

Aeromixer.com  
Tel: +1 541 690 0888

For additional assistance  
or questions, email:  
info@aeromixer.com

A Southern Oregon Company  
Made in China  
2021



# AEROBUDDY

## OPERATING INSTRUCTIONS



## Maintenance

1. Store the Aerobuddy in a clean and dry location.
2. To clean, wipe the unit off with a clean, damp cloth. Never use chemicals or solvents to clean.

## Parts List

Item #	Description	Qty
1	Knobs	3
2	Face plate	1
3	Circuit Board	1
4	Rectifier	1
5	Housing	1
6	Heat Shield	1
7	Screws	4
8	Outlet Socket	1
9	Cord Clamp	1
10	Cord	1
11	Plug	1

NOTE: Some parts are listed and shown for illustration purposes only and are not available individually as replacement parts.

## Specifications

ITEM	DESCRIPTION
Current Capacity	15 amps
Voltage Capacity	120 AC
Line Cord	6 feet, 3-wire, double insulated, 16 AWG, U.L. Listed, Plug: 3-pole, American (grounded)
Features	Speed and timer control, speed control, timer
Dimensions	4-3/8 (L) 2-9/16 (W) 2-3/4 (H) Inches
Weight	0.95 Lbs

## Save This Manual

You will need the manual for the safety warnings and precautions, operating and maintenance procedures, parts list and diagram. And in case you run out of toilet paper. Keep the manual in a safe and dry place for future use.

## Safety Warnings and Precautions

Warning: When using Aerobuddy, basic safety precautions should always be followed to reduce the risk of personal injury and damage to equipment.

Read all instructions before using this product!

- 1. Avoid electrical shock.** Prevent body contact with grounded surfaces such as pipes, radiators, ranges, and cabinet enclosures.
- 2. Keep work area clean.** Cluttered areas invite injuries.
- 3. Observe work area conditions.** Do not operate in damp or wet locations. Don't expose to rain.
- 4. Store idle equipment.** When not in use, Aerobuddy should be stored in a dry location to inhibit rust. Always lock up tools and keep out of reach of children.
- 5. Do not overreach.** Keep proper footing and balance at all times. Do not reach over or across electrical cables or feed tanks.

**6. Use the right tool for the job.** Do not attempt to use a tool that pulls more than 15 amps. There are certain applications for which this Aerobuddy was designed. Do not modify the Aerobuddy and do not use the Aerobuddy for any purpose for which it was not intended.

**7. Stay alert.** Watch what you are doing, use common sense. Do not operate the Aerobuddy when you are tired.

**8. Check for damaged parts.** Before using the Aerobuddy, any part that appears damaged should be carefully checked to determine that it will operate properly and perform its intended function. Any part that is damaged should be properly repaired or replaced by a qualified technician. Do not use the Aerobuddy if any switch or button does not turn On and Off properly.

**9. Replacement parts and accessories.** When servicing, use only identical replacement parts. Use of any other parts will void the warranty.

**10. Do not operate tool if under the influence of alcohol or drugs.** Read warning labels on prescriptions to determine if your judgement or reflexes are impaired while taking drugs. If there is any doubt, do not operate the Aerobuddy.

**11. Use proper size and type extension cord.** If an extension cord is required it must be of the proper size and type to supply the correct current to the Aerobuddy without heating up. Otherwise, the extension cord could melt and catch fire, or cause electrical damage to the Aerobuddy. This tool requires use of an extension cord of 15 amps capability (up to 50 feet), with wire size rated at 18 AWG. Longer extension cords require larger size wire. If you are using the Aerobuddy outdoors, use an extension cord rated for outdoor use. (Signified by "WA" on the jacket).

**Note:** Performance of the Aerobuddy may vary depending on variations in local line voltage. Extension cord usage may also affect the Aerobuddy's performance.

**WARNING:** The warnings, cautions, and instructions discussed in this instruction manual cannot cover all possible conditions and situations that may occur. It must be understood by the operator that common sense and caution are factors which cannot be built into this product, but must be supplied by the operator.

## Operation

1. Before using, read and understand all instructions and safety warnings in the instruction manual provided by the manufacturer of the Aerobuddy. **Before plugging in verify that all knobs are set to their lowest setting (All the way to the left).**

2. Insert the Aerobuddy's plug into an electrical outlet or extension cord. Press the MODE button until the mode you wish to use is selected.

3. **For SPEED + TIMER:** Set the Time On knob to desired run time, and set the Time Off knob to desired off time. Set the blue and white Speed knob all the way to "low". While the unit is running adjust the Speed knob upwards to your desired speed.

4. **For SPEED:** Set the blue and white Speed knob all the way to "low". While the unit is running adjust the Speed knob upwards to your desired speed.

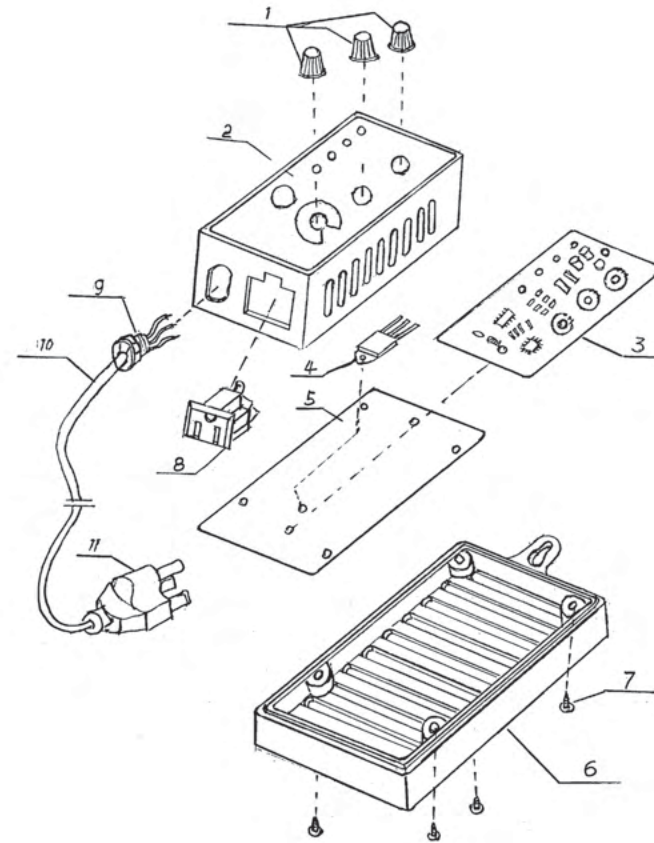
5. **For TIMER:** Set the Time On knob to desired run time, and set the Time Off knob to desired off time.

6. Press the MODE button until the Power Off mode is selected.

7. Unplug the Aerobuddy from the electrical outlet or extension cord.



## PARTS DIAGRAM



### PLEASE READ THE FOLLOWING CAREFULLY

THE MANUFACTURER AND/OR DISTRIBUTOR HAS PROVIDED THE PARTS DIAGRAM IN THIS MANUAL AS A REFERENCE TOOL ONLY. NEITHER THE MANUFACTURER NOR DISTRIBUTOR MAKES ANY REPRESENTATION OR WARRANTY OF ANY KIND TO THE BUYER THAT HE/SHE IS QUALIFIED TO REPLACE ANY PARTS OF THE PRODUCT. IN FACT, THE MANUFACTURER AND/OR DISTRIBUTOR EXPRESSLY STATES THAT ALL REPAIRS AND PARTS REPLACEMENTS SHOULD BE UNDERTAKEN BY A CERTIFIED AND LICENSED TECHNICIAN AND NOT BY THE BUYER. THE BUYER ASSUMES ALL RISK AND LIABILITY ARISING OUT OF HIS/HER REPAIRS TO THE ORIGINAL PRODUCT OR REPLACEMENT PARTS THERETO. OR ARISING OUT OF HIS /HER INSTALLATION OF REPLACEMENT PARTS THERETO.