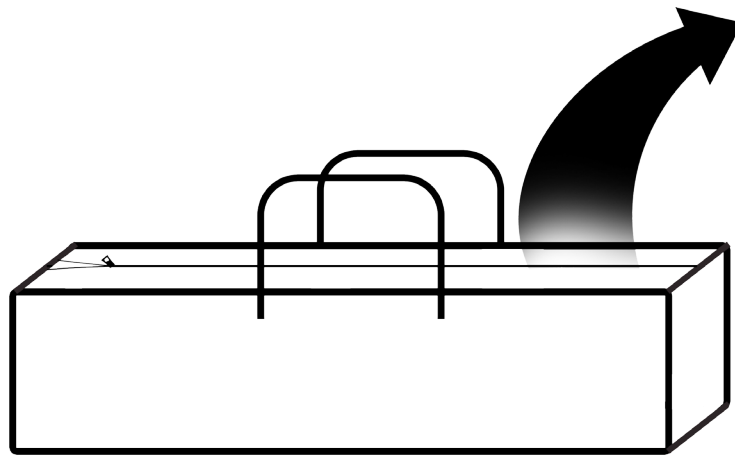




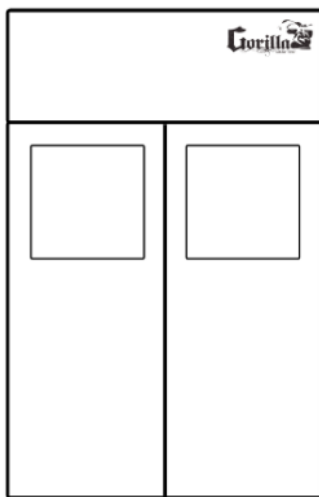
Instructions

4x4 Gorilla Grow Tent LITE LINE

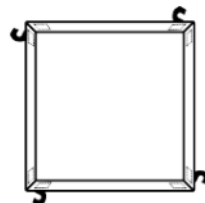
1. Unpack



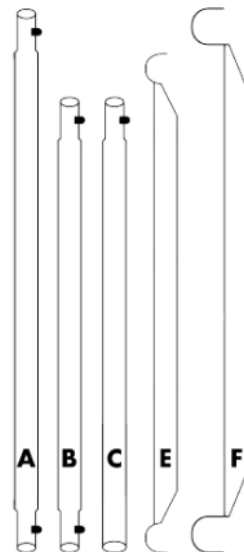
2. Check



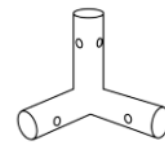
1x
Tent



1x
Spill Pool



8x 4x 4x 1x 2x
Poles

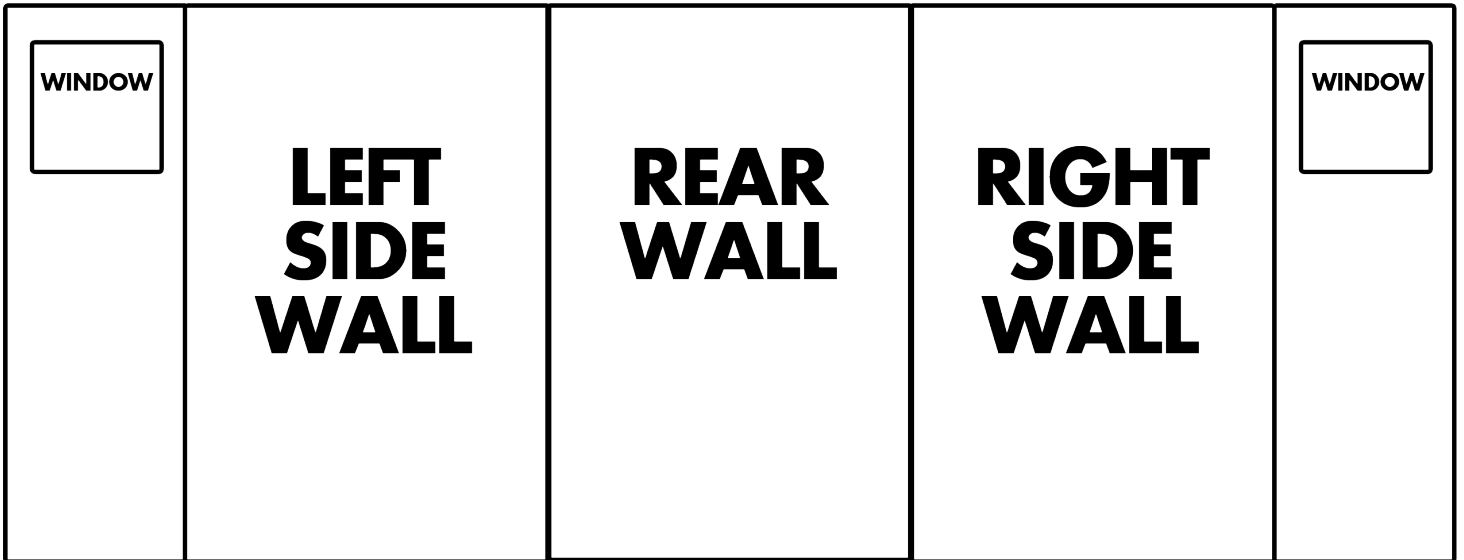
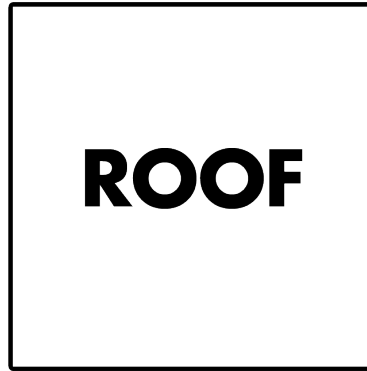


8x
Corner Piece

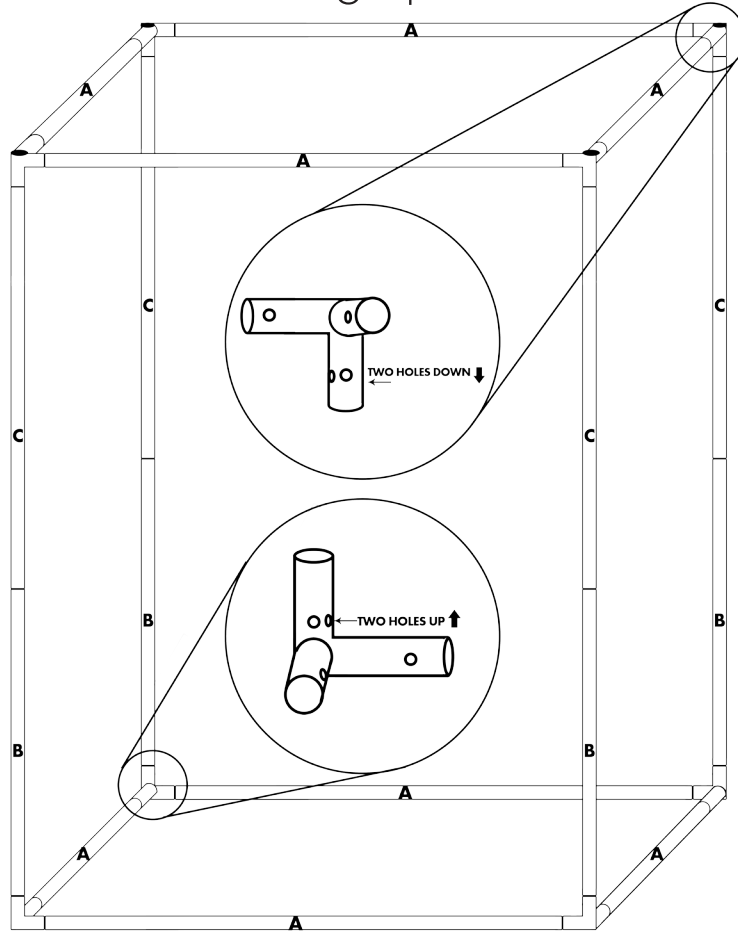
3.

Unfold, unzip, then lay flat.

NOTE: Your tent may look different than this illustration.

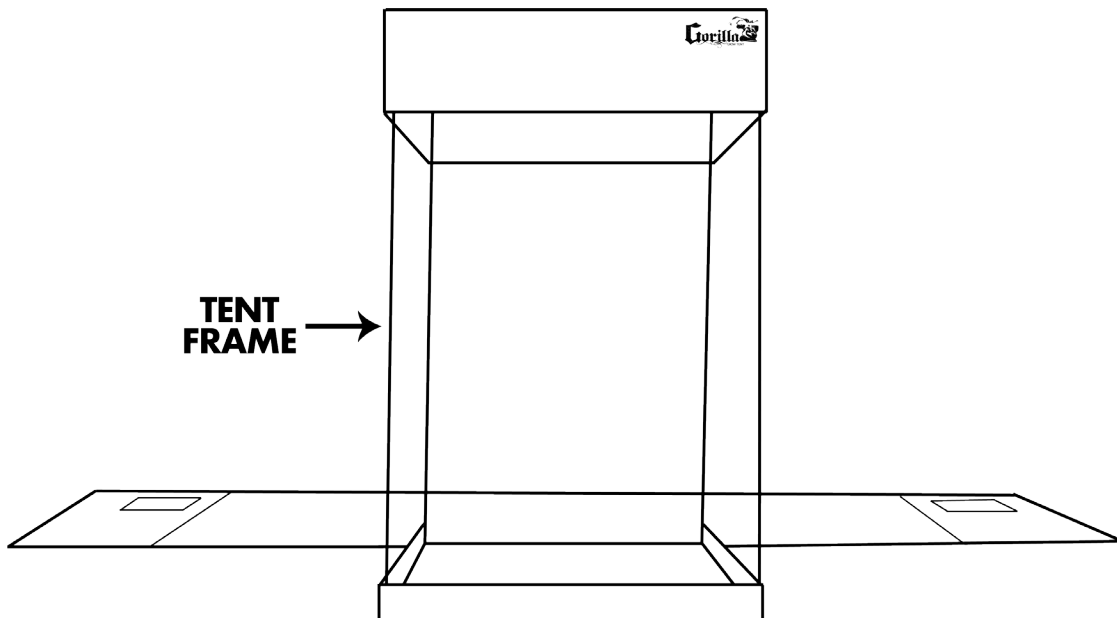


4. Assemble frame inside of tent floor beginning with frame base, and building upward

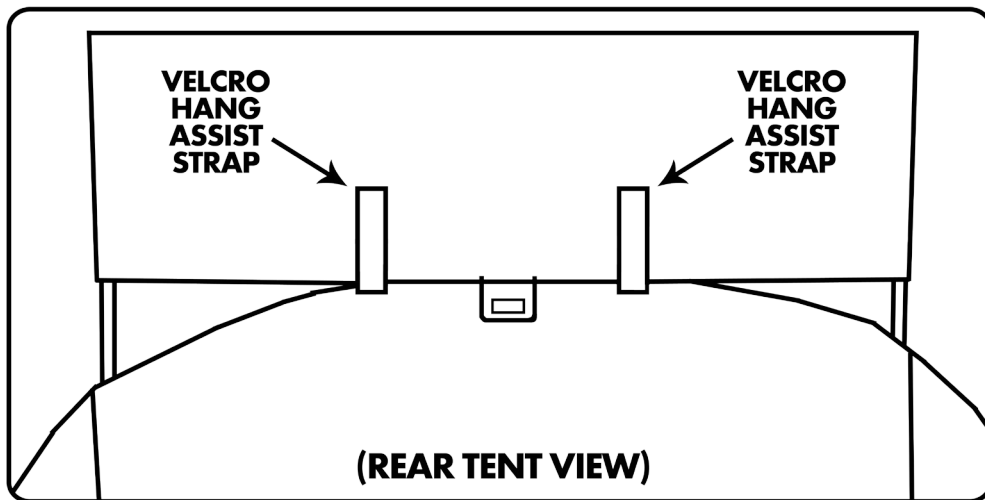
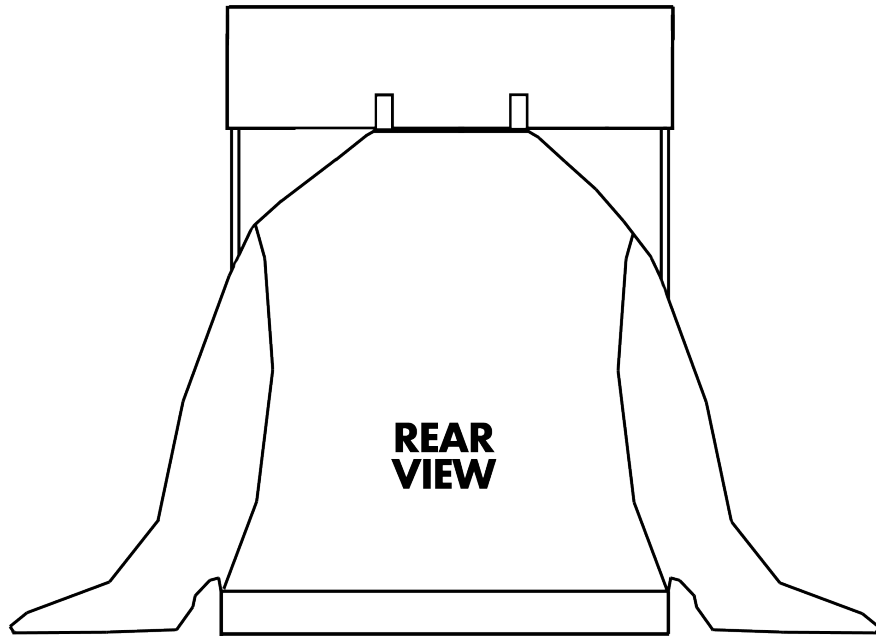


NOTE: The proportions of your frame may be slightly different than this illustration.

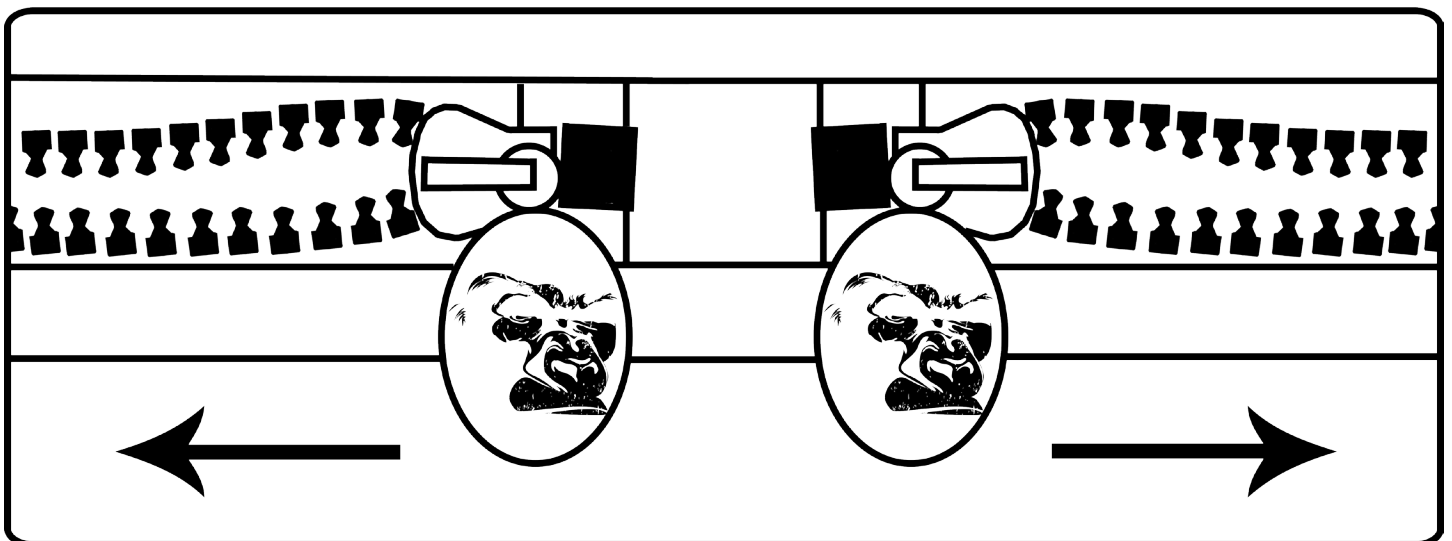
5. Place roof onto tent frame. Carefully guide each corner of the roof over each corner of the frame a little at a time. This will allow plenty of slack to properly fit the corners. Do not fully seat the roof at one corner and attempt to stretch corners over frame. Do not use excessive force. Doing so may damage your tent and void warranty.



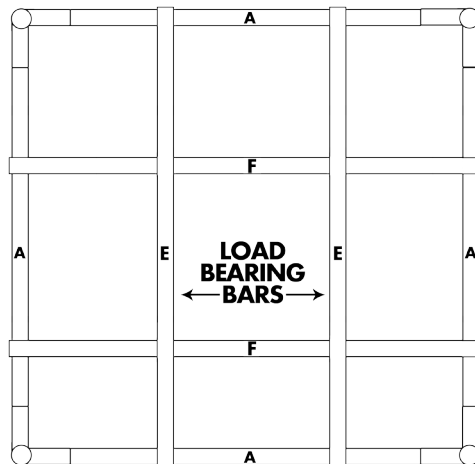
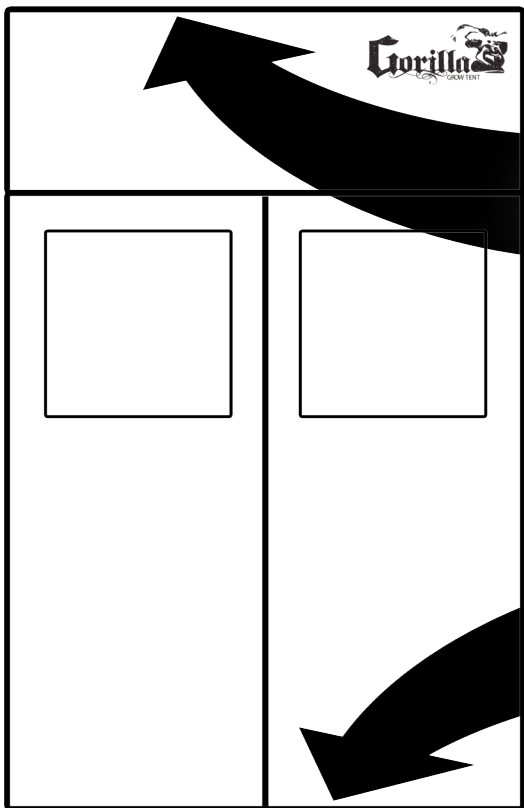
6. Bring tent body to Velcro assist strips then zip tent.



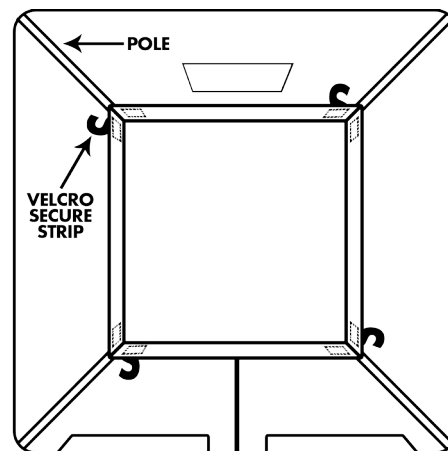
Zipper Detail



7. Add Roof Support Beams. Position E poles, then F pole.
E poles are load bearing.



8. Place spill pool on floor of tent and secure Velcro straps around poles.



TALLEST. THICKEST. STRONGEST.

WWW.GORILLAGROWTENT.COM 1-855-G₄G₄T₈-G₄R₇O₆W₉