



# **GREENBROZ**

*Harvesting Solutions*



## 215 Alchemist Trichome Extractor

USER MANUAL



# WARNING

This machine contains moving parts.

Long hair or loose clothing can be caught in moving parts.

Ensure that any hair or clothing is away from the machine.

Ensure the machine is unplugged prior to any disassembly.

Do not attempt to touch the machine while it is operating / moving.

Do not operate the machine unless all 4 trichome panels are securely locked in place.

FAILURE TO COMPLY WITH THE ABOVE MAY RESULT IN SERIOUS INJURY.

# Unpacking Your Machine

All parts noted in this manual will be included with your machine.

The Alchemist Trichome Extractor comes fully assembled.  
You do not need any tools to assemble your machine.

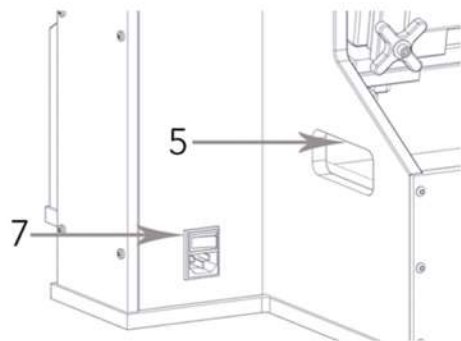
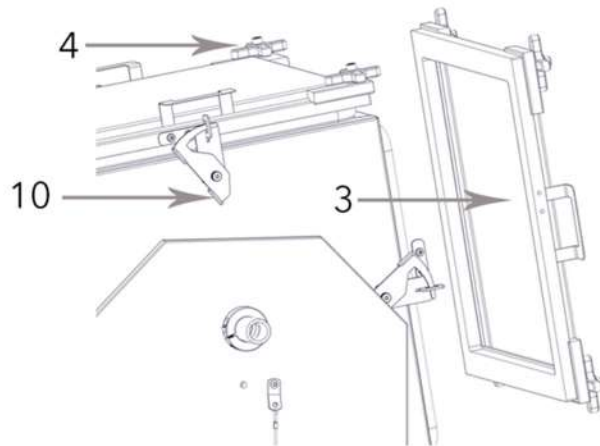
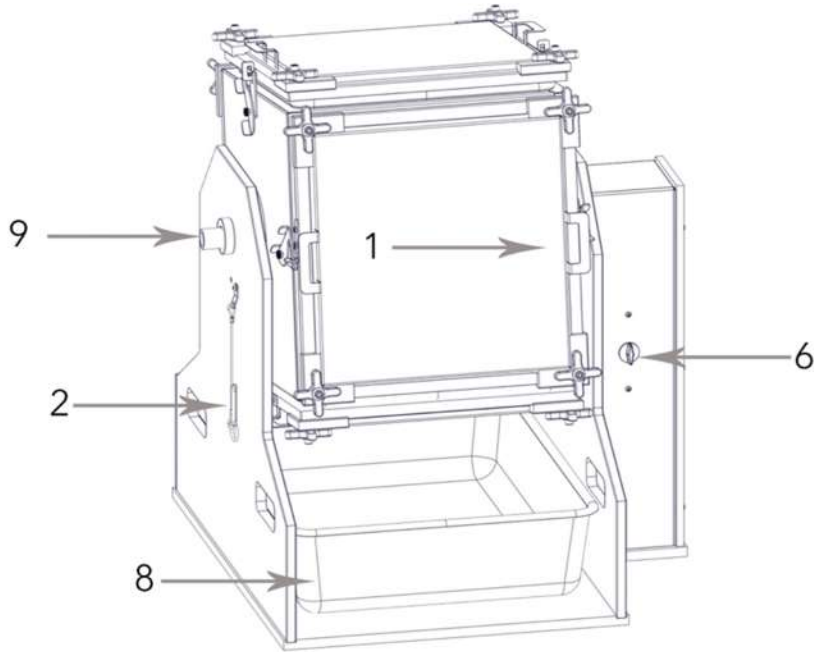
1. Remove the Alchemist from the shipping container and remove all plastic and tape.
2. Remove any additional packaging material from the machine.
3. Set your machine on a sturdy table top.
4. Ensure the master power switch is in the off position and plug the cord into the machine.

## Proper Dry Ice Usage

The Alchemist is designed to be used as a dry-sift, or with pulverized dry-ice. Sharp edges and/or large pieces may puncture your screens. If using dry-ice, crushed pieces no larger than a 1/2 inch in size are recommended (preferably pulverized like snow).



# Machine Parts



1. Trichome Panel (x4)
2. Lock Pin
3. 180 Micron Screen\*
4. Lock Tab
5. Carrying Handle (x2)
6. 30-Minute Timer
7. Master Power Outlet
8. Trim Collection Tray
9. Idle Hub / Air Vent
10. Screen Lock

\* Please note that you may purchase backup / replacement / alternate screens in the following sizes: 180-Micron, 130-Micron, 80-Micron.

# Machine Operation

We recommend reviewing all of the disclosures and instructions included in this manual to ensure optimal safety and processing.

Ensure that the machine is placed on a stable surface to prevent the machine from falling or moving during operation.



## Warning!

If using dry ice, ensure that there is adequate ventilation in your processing area. Using dry ice will raise the Co2 levels in the room.

1. To begin, remove the top trichome panel so that you can load the machine.
2. Next, insert your product.
3. For the best results, we recommend filling your machine to 1/3 capacity, at most.
4. If you choose to use dry ice, insert it now. Please note that sharp edges and/or large pieces of dry ice may damage your screen.
5. Place the trichome panel back on your Alchemist and lock the lock tabs.
6. Run your product through the Alchemist. Keep track of your run times and yields to establish specific run times that work for you in the future.
7. Once complete, use the lock pin to lock the Alchemist in place. Then, unlock the lock tabs on the front facing panel and gently remove the panel.
8. Use caution when removing each panel as trichomes can easily be knocked off if bumped or dropped.
9. Place your panel on a clean, dry surface.
10. Using a trichome scraper or brush, gently gather trichomes into a pile and transfer to a container. \*Note you can also use your brush to gently collect trichomes from the outer side of your screen.
11. Replace the trichome panel, lock the lock tabs, unlock the machine and rotate the Alchemist till you reach the next panel. Repeat the previous steps for the remaining 3 panels.
12. When finished with the last trichome panel, you can remove your product or run an additional cycle to ensure you're getting the most out of your harvest.

# Cleaning Instructions & Troubleshooting

Before cleaning your machine, ensure that the lock pin is in place to keep the Alchemist from rotating during the cleaning process.

We recommend using the following items to clean your machine:

Isopropyl Alcohol  
Spray Bottle  
Natural Bristle Brush  
Microfiber Cloth  
Can of Compressed Air

\*Note: Make sure all product is removed from the Alchemist prior to the cleaning process.

1. Remove the first trichome panel by unlocking the screen locks located on the left and right side of each trichome panel and by unlocking the lock tabs on each corner of the panel.
2. Place your trichome panel on a clean, flat surface. Ensure there are no tools or other parts laying around that could damage your screens.
3. Use your natural bristle brush to brush away any excess plant material from both sides of the screen.
4. Now, use compressed air to remove trichomes that may be lodged inside of the mesh of the screen and to blow away excess material off the panel.
5. Using a spray bottle, lightly spray the entire screen with isopropyl alcohol.
6. Once the screen is lightly coated in alcohol, use your microfiber cloth and gently blot the screen to clean dry it. Repeat on the opposite side.
7. Once the screen is dry and clean. Replace the trichome panel back onto the Alchemist and secure it into place by locking the panel locks and locking the lock tabs.
8. Turn the lock handle and rotate the Alchemist to clean the next panel.
9. Repeat the previous steps to clean the remaining three trichome panels.

## Troubleshooting

**Issue: Alchemist not powering on:**

\*Correct power supply is being used & secure.

\*On/off switch is turned to the "On" position.

\*Timer is past 5 minute mark & is clicking.

\*Still not working? Call Technical Support at 844.DRY.TRIM (844.379.8746)

# Warranty Registration

Please visit [www.GreenBroz.com](http://www.GreenBroz.com) to register.

You must register within 30 days from purchase date to activate your warranty.

All information obtained by GreenBroz Inc. will be kept private and secure.  
GreenBroz Inc. will not share or distribute your information without consent.

## Limited Warranty

**Products covered:** This limited warranty is limited to GreenBroz Inc. Alchemist Trichome Extractor products (215 and/or 420 model) manufactured by GreenBroz Inc. (the 'products') and provides that such product is free from defects in material and workmanship.

**Length of warranty:** The length of this warranty shall be 12-MONTHS from the date of original retail purchase of the product.

**To qualify for this warranty:** The product must be purchased from GreenBroz Inc or a dealer authorized by GreenBroz Inc. to sell the products. This warranty only applies to the first retail purchase and is not transferable to subsequent owners.

**What GreenBroz will repair or replace under warranty:** GreenBroz Inc. will repair or replace, at its options, any part that is proven to be defective in material or workmanship under normal use during the applicable warranty period. Warranty repairs and replacements will be made without charge for parts or labor. Anything replaced under warranty becomes the property of GreenBroz Inc. All parts replaced under warranty will be considered as part of the original product and any warranty on those parts will expire coincidentally with the original product warranty. This limited warranty does not cover normal wear and tear including, but not limited to: trichome cartridges and micron screens.

**To obtain warranty service:** Contact GreenBroz Inc. for a return authorization and instructions for warranty repair replacement.

**Exclusions:** 1. Any damage or deterioration resulting from neglect of periodic maintenance as specified in any product owner's manual or any improper repair or maintenance.; 2. Neglect, unauthorized alteration, modifications, misuse, incorporation or use of unsuitable attachments or parts.; 3. Damage caused by dirt, pressure or steam cleaning the product, salt water, corrosion, rust, varnish, abrasives, and moisture.; 4. Any product that has ever been declared a total loss or sold for salvage by a financial institution or insurer.; 5. Damage caused by an independent third-party that is not the registered owner.

**Disclaimer of consequential damage and limitation of implied warranties:** This limited warranty is in lieu of all other expressed or implied warranties, including any warranty of FITNESS FOR A PARTICULAR PURPOSE OR USE and any implied warranty of MERCHANTABILITY otherwise applicable to this product. GreenBroz Inc. disclaims any responsibility for loss of time or use of this product, transportation, commercial loss, or any other incidental or consequential damage, including lost profits. There are no warranties extended other than as provided herein. This limited warranty may be modified only by GreenBroz Inc.

# More GreenBroz Harvesting Tools

215 CannaGin Destemmer



The Sorter



215 Dry Trimmer



215 Alchemist Trichome Extractor



420 Dry Trimmer



420 Alchemist Trichome Extractor



The Precision Batcher



Be sure to check out our new media site ([greenbroz.com/media](http://greenbroz.com/media)) for some exciting new videos!  
844.DRY.TRIM | [info@GreenBroz.com](mailto:info@GreenBroz.com) | [GreenBroz.com](http://GreenBroz.com)